



US00D373090S

United States Patent [19]
Bennett

[11] **Patent Number: Des. 373,090**

[45] **Date of Patent: **Aug. 27, 1996**

[54] **TAPE MEASURE CASE**

[75] Inventor: **Jeffrey E. Bennett**, Newhall, Calif.

[73] Assignee: **Allied Wholesale, Inc.**, Sylmar, Calif.

[**] Term: **14 Years**

[21] Appl. No.: **42,103**

[22] Filed: **Aug. 1, 1995**

[52] **U.S. Cl.** **D10/72**

[58] **Field of Search** **D10/72; 33/755-770**

[56] **References Cited**

U.S. PATENT DOCUMENTS

D. 360,838 8/1995 Lin D10/72

Primary Examiner—Antoine Duval Davis
Attorney, Agent, or Firm—Lyon & Lyon

[57] **CLAIM**

The ornamental design for a tape measure case, as shown and described.

DESCRIPTION

FIG. 1 is a front, right side perspective view of a tape

measure case showing my new design;

FIG. 2 is a left elevational view thereof;

FIG. 3 is a right elevational view thereof;

FIG. 4 is a bottom plan view thereof;

FIG. 5 is a top plan view thereof;

FIG. 6 is a front elevational view thereof;

FIG. 7 is a rear elevational view thereof;

FIG. 8 is a right elevational view showing another embodiment of my new design for a tape measure case;

FIG. 9 is a left elevational view thereof;

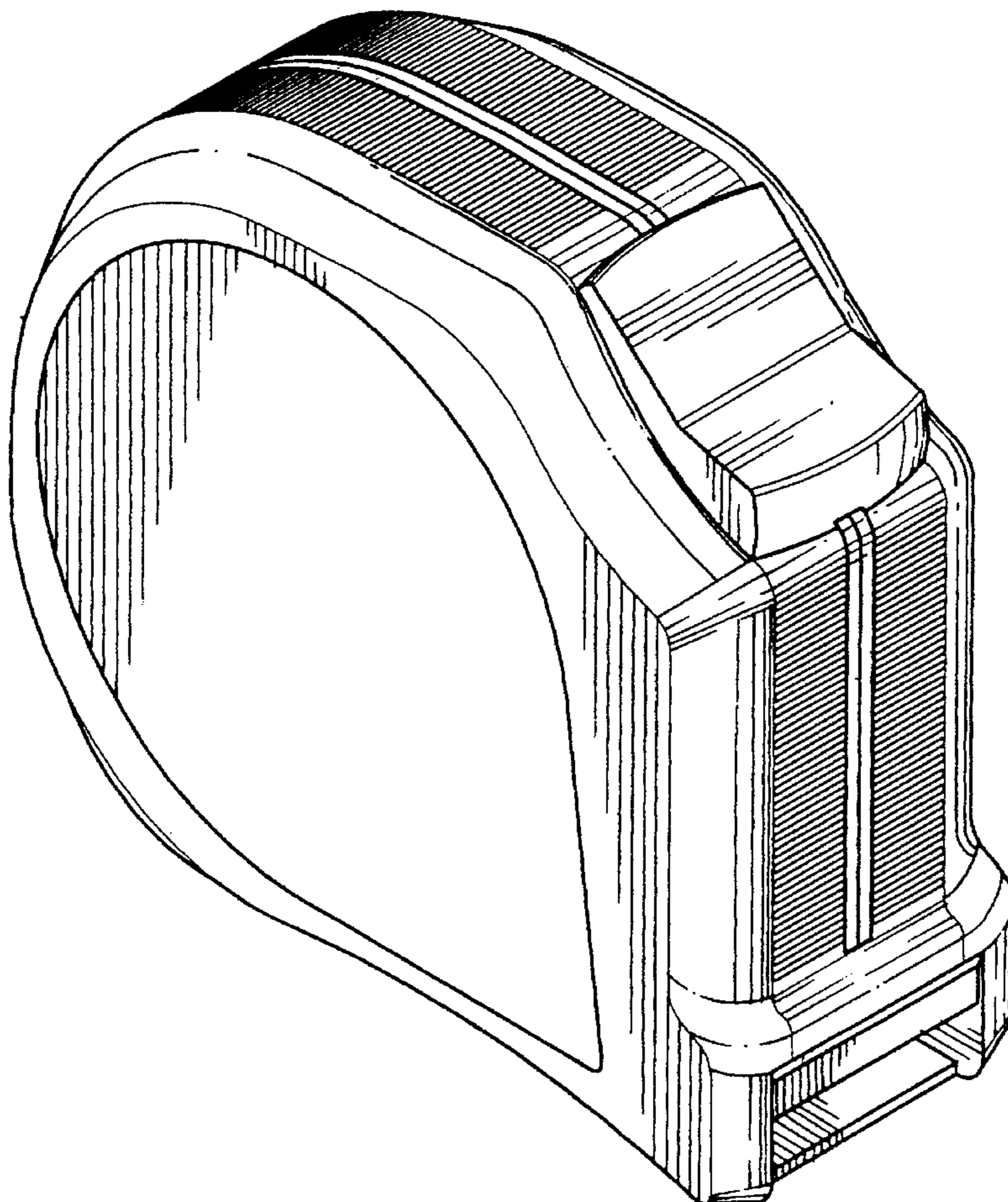
FIG. 10 is a bottom plan view thereof; and,

FIG. 11 is a front elevational view thereof.

The front, right side perspective view, top plan view, and rear elevational view of the alternative embodiment of FIGS. 8-11 are omitted as being identical to FIGS. 1, 5, and 7 of the first tape measure case embodiment. FIGS. 2, 3, 8 and 9 are depicted in a reduced scale.

The broken line showings are for illustrative purposes only and forms no part of the claimed design.

1 Claim, 4 Drawing Sheets



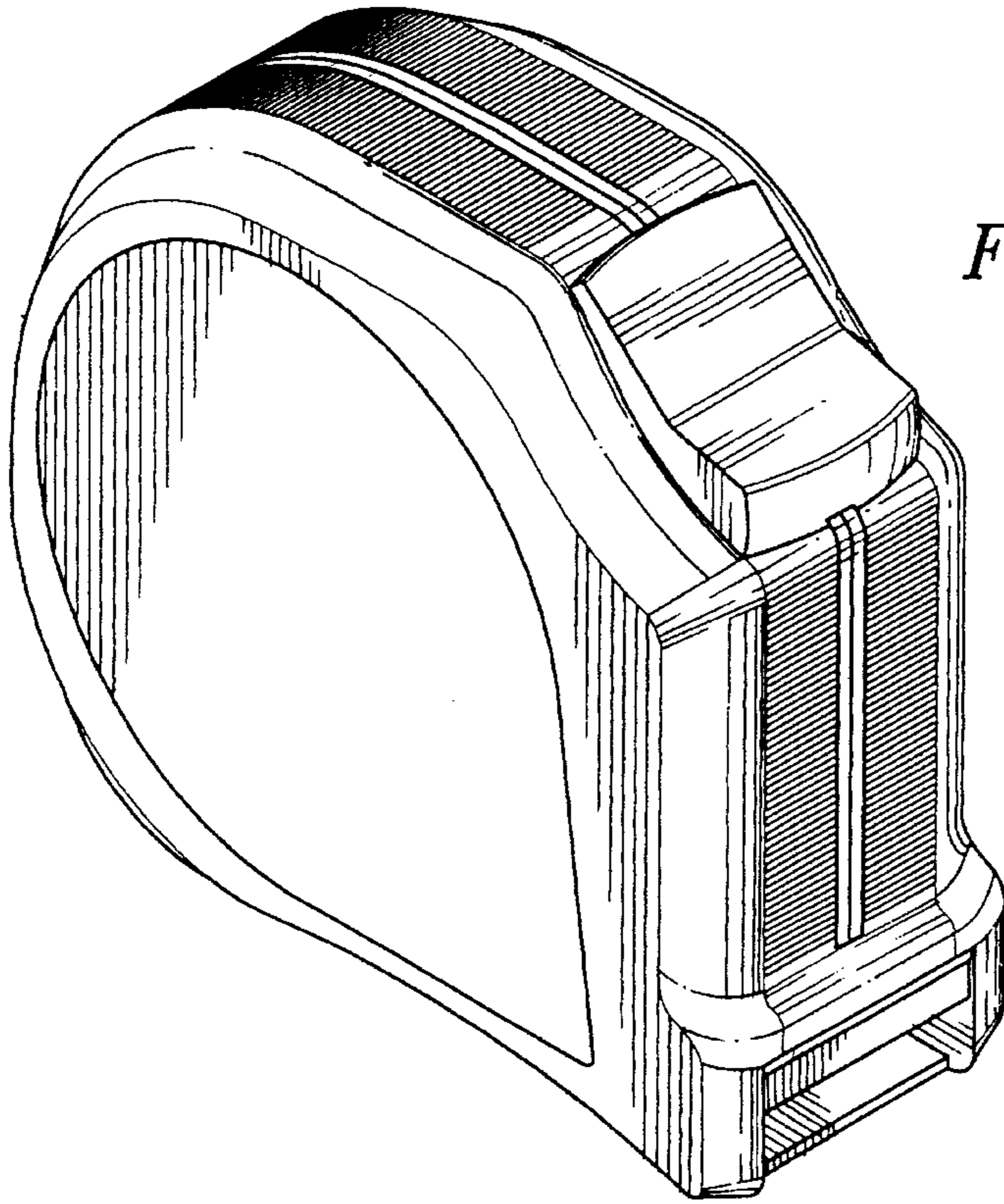


FIG. 1

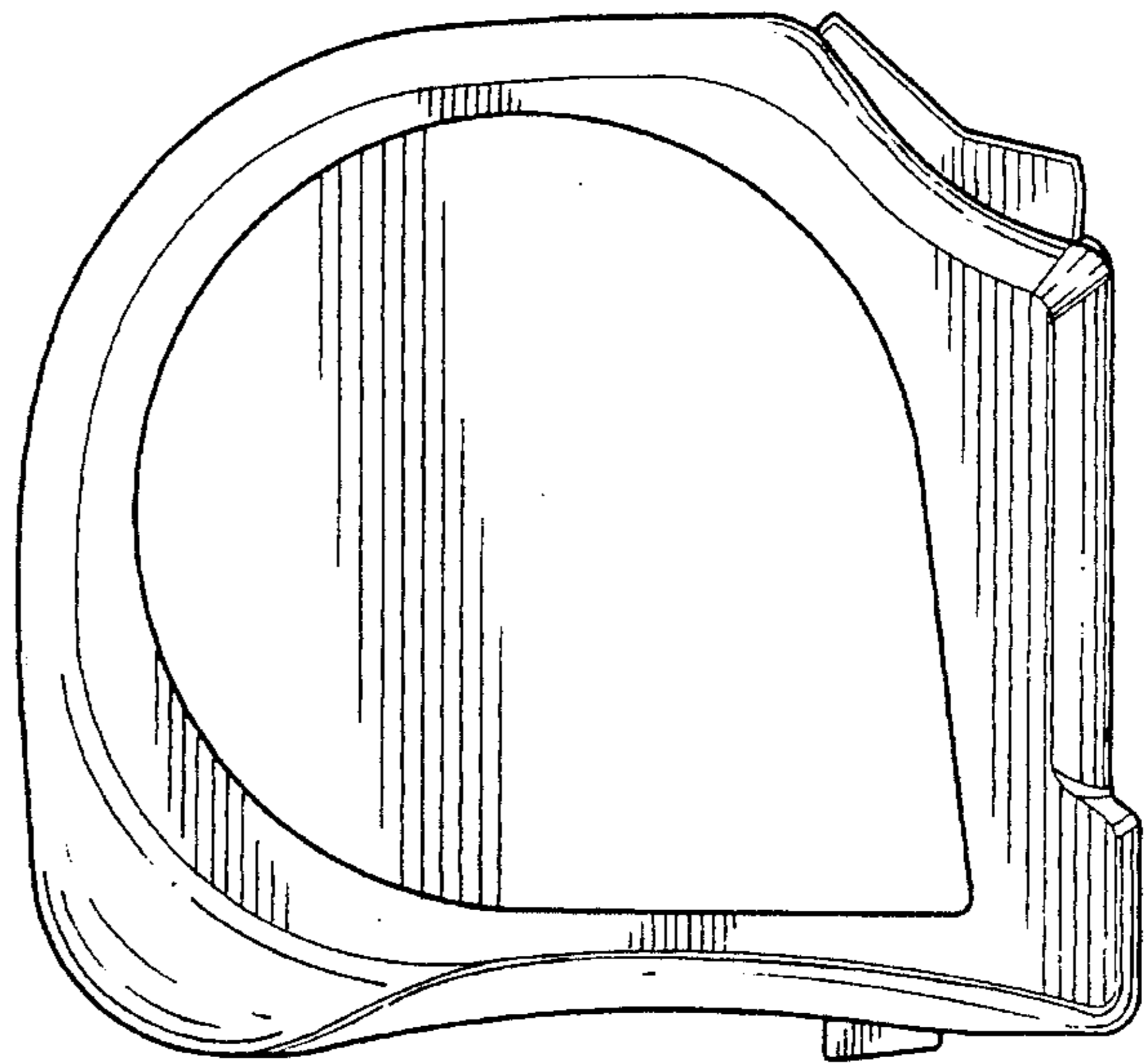


FIG. 3

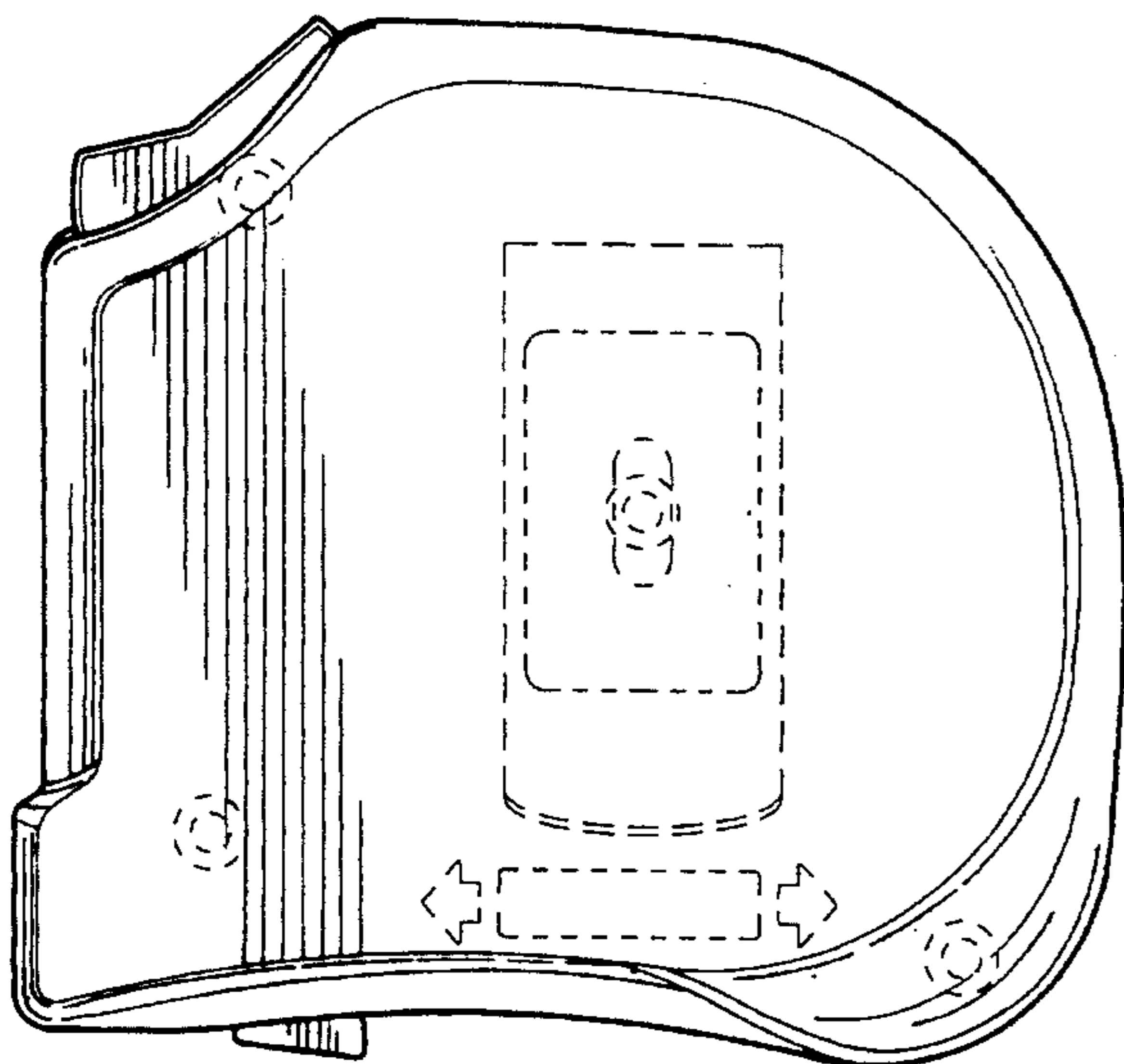


FIG. 2

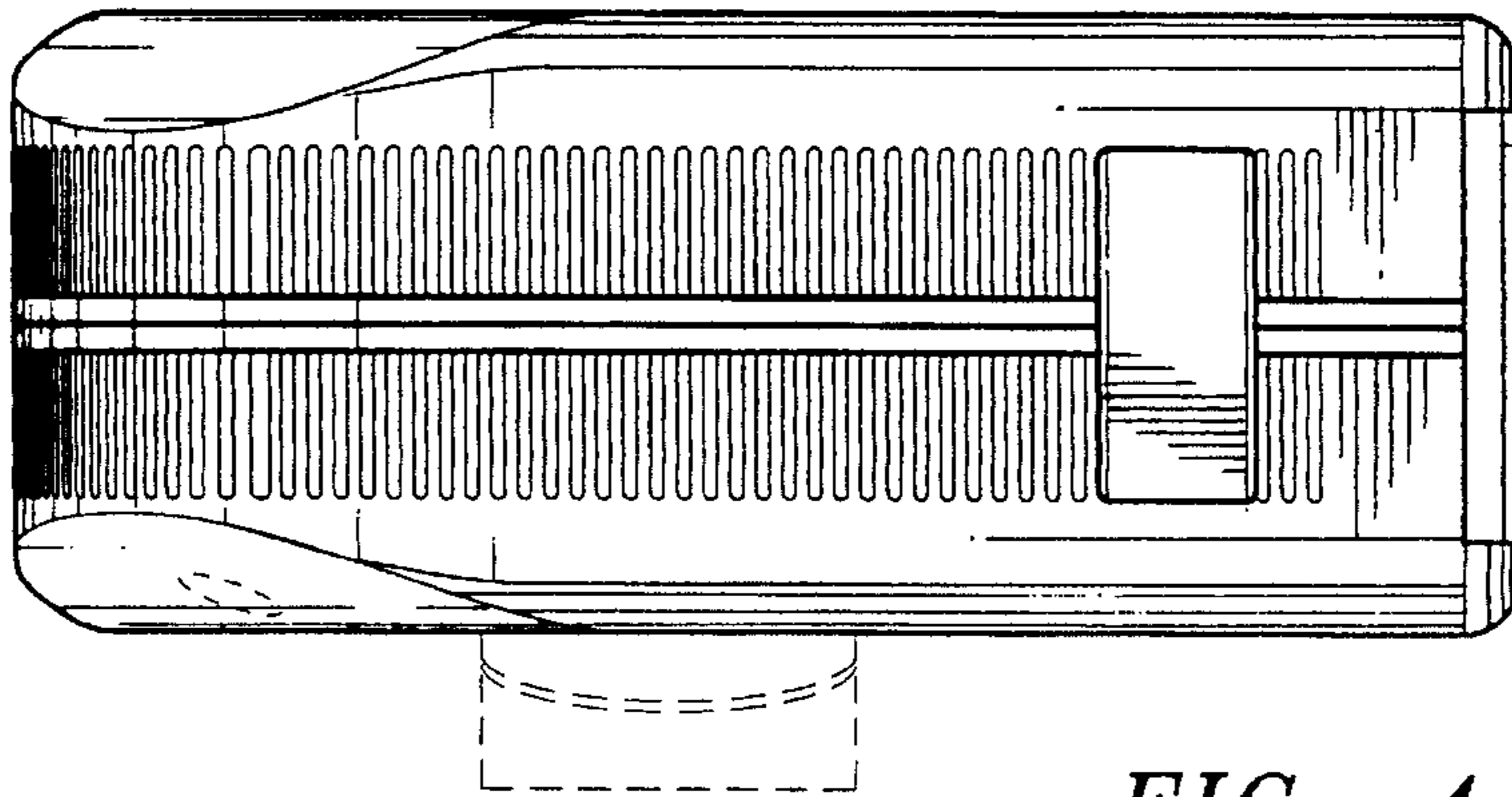


FIG. 4

FIG. 5

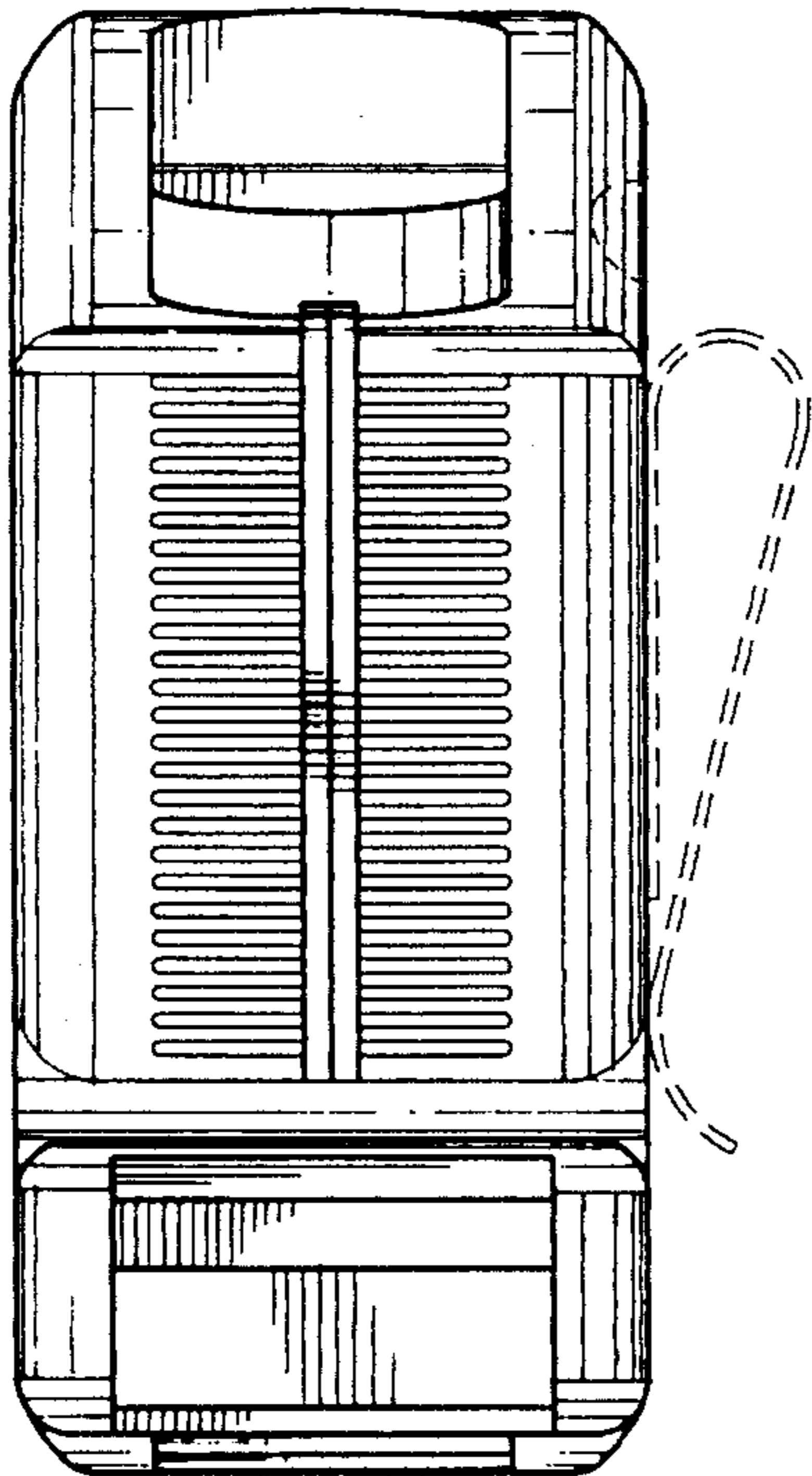
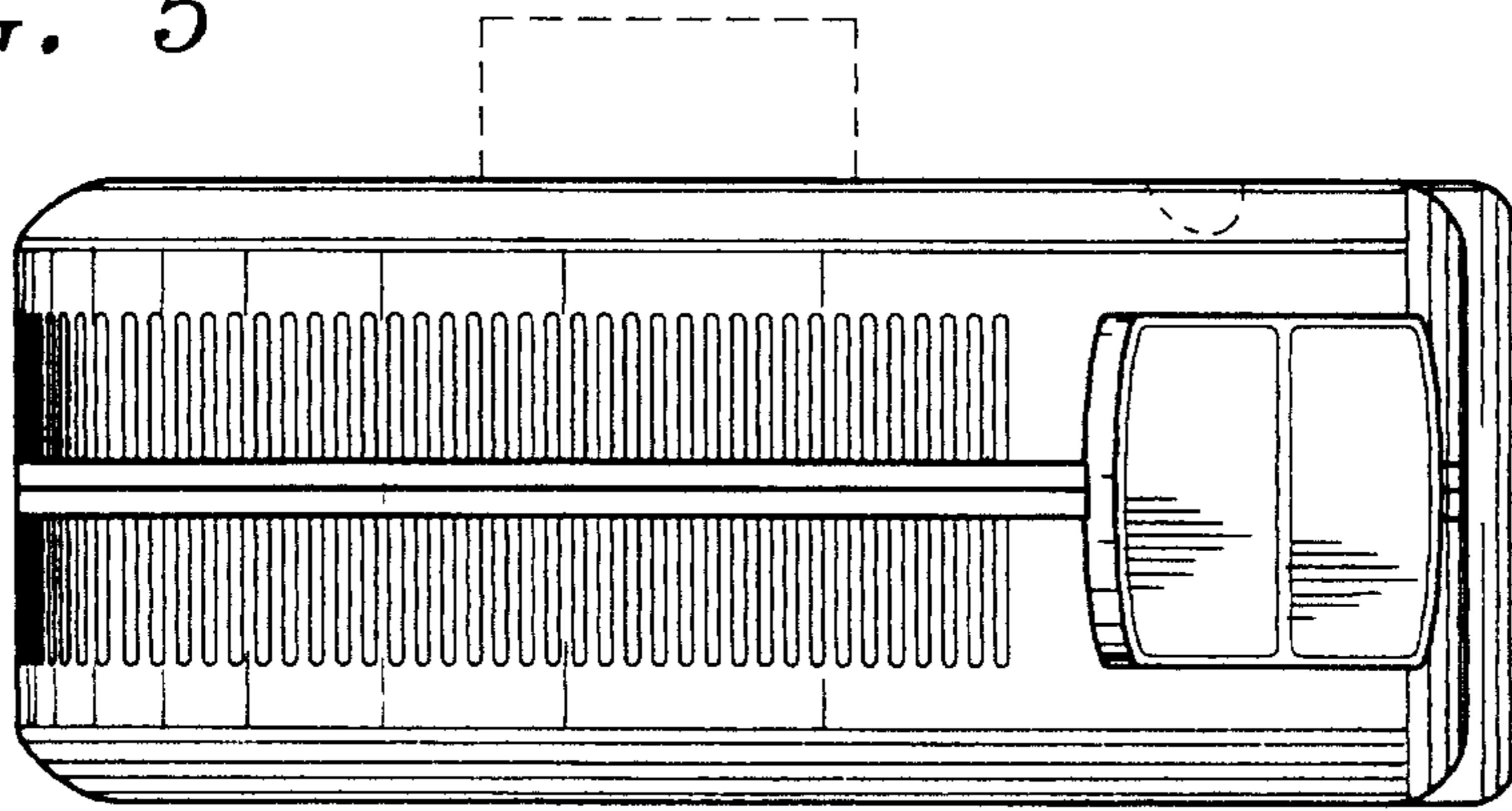


FIG. 6

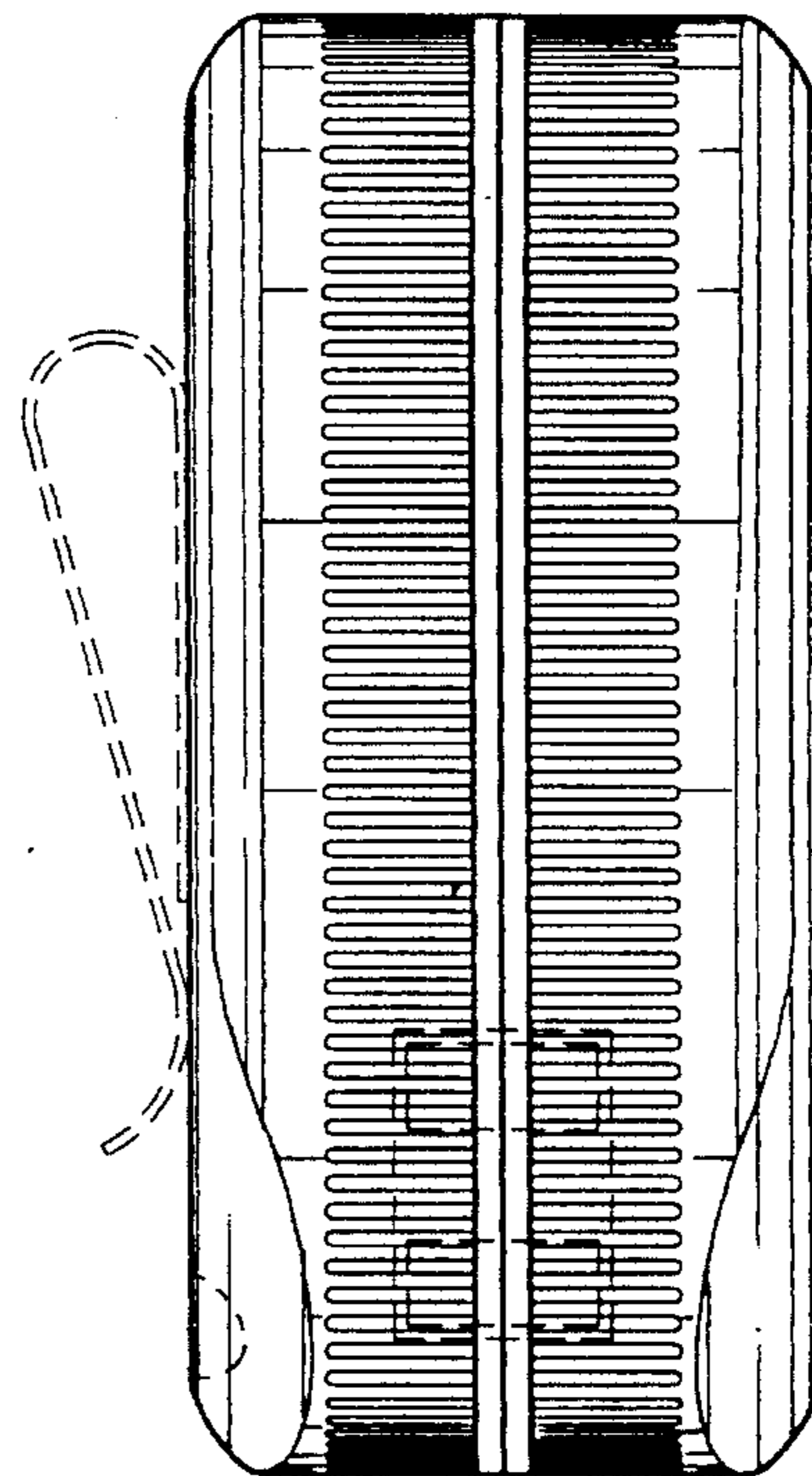


FIG. 7

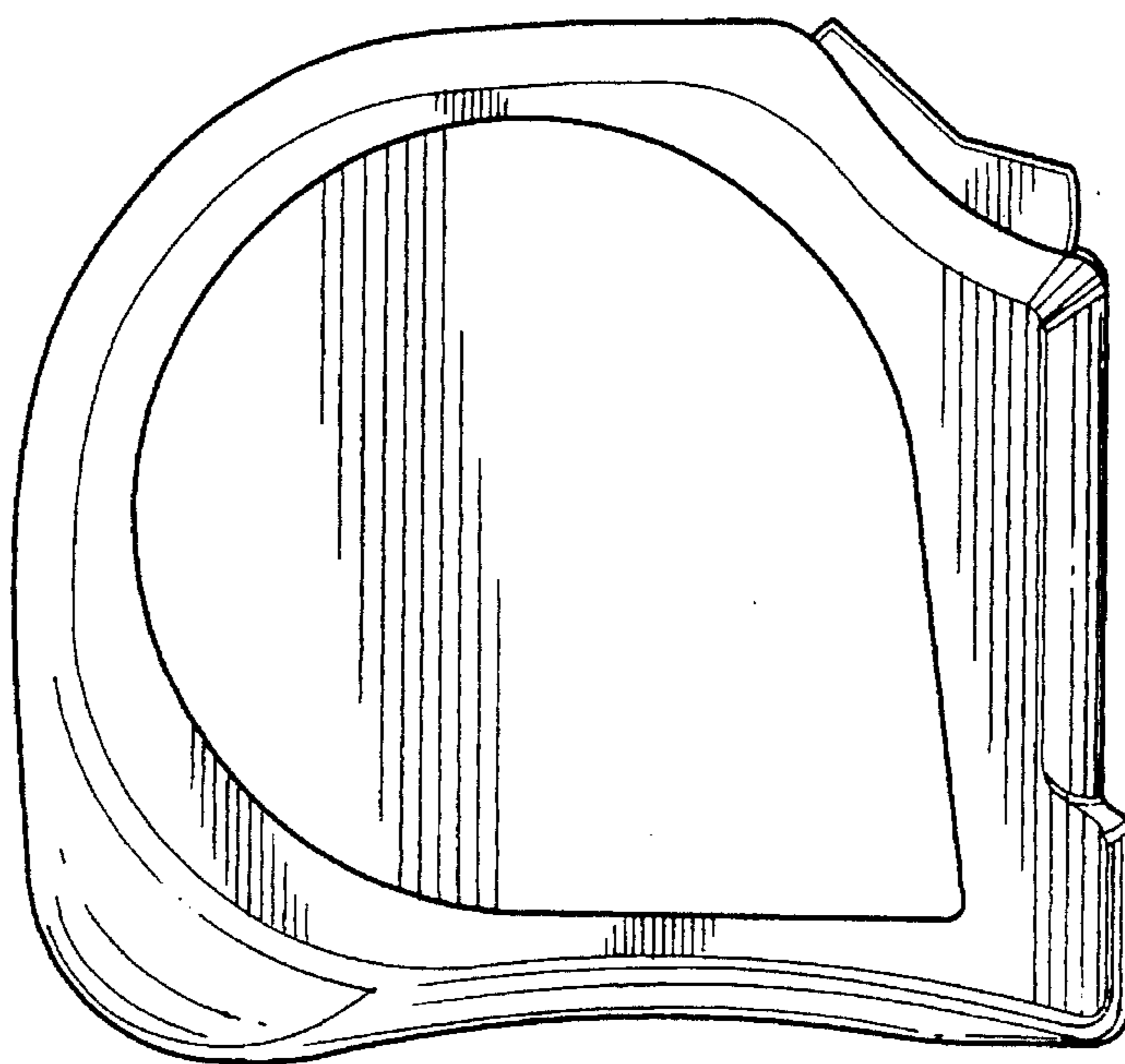


FIG. 8

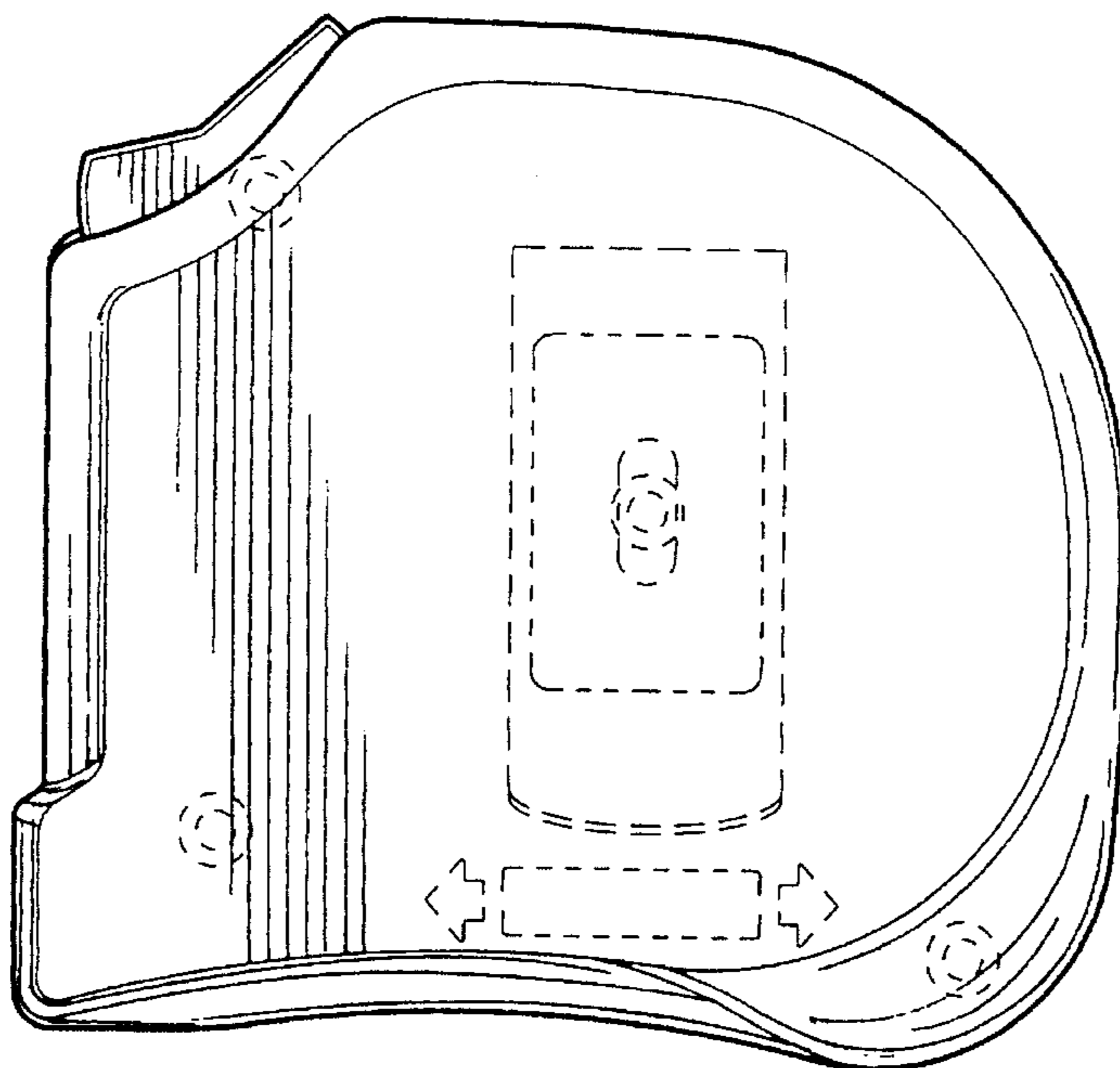


FIG. 9

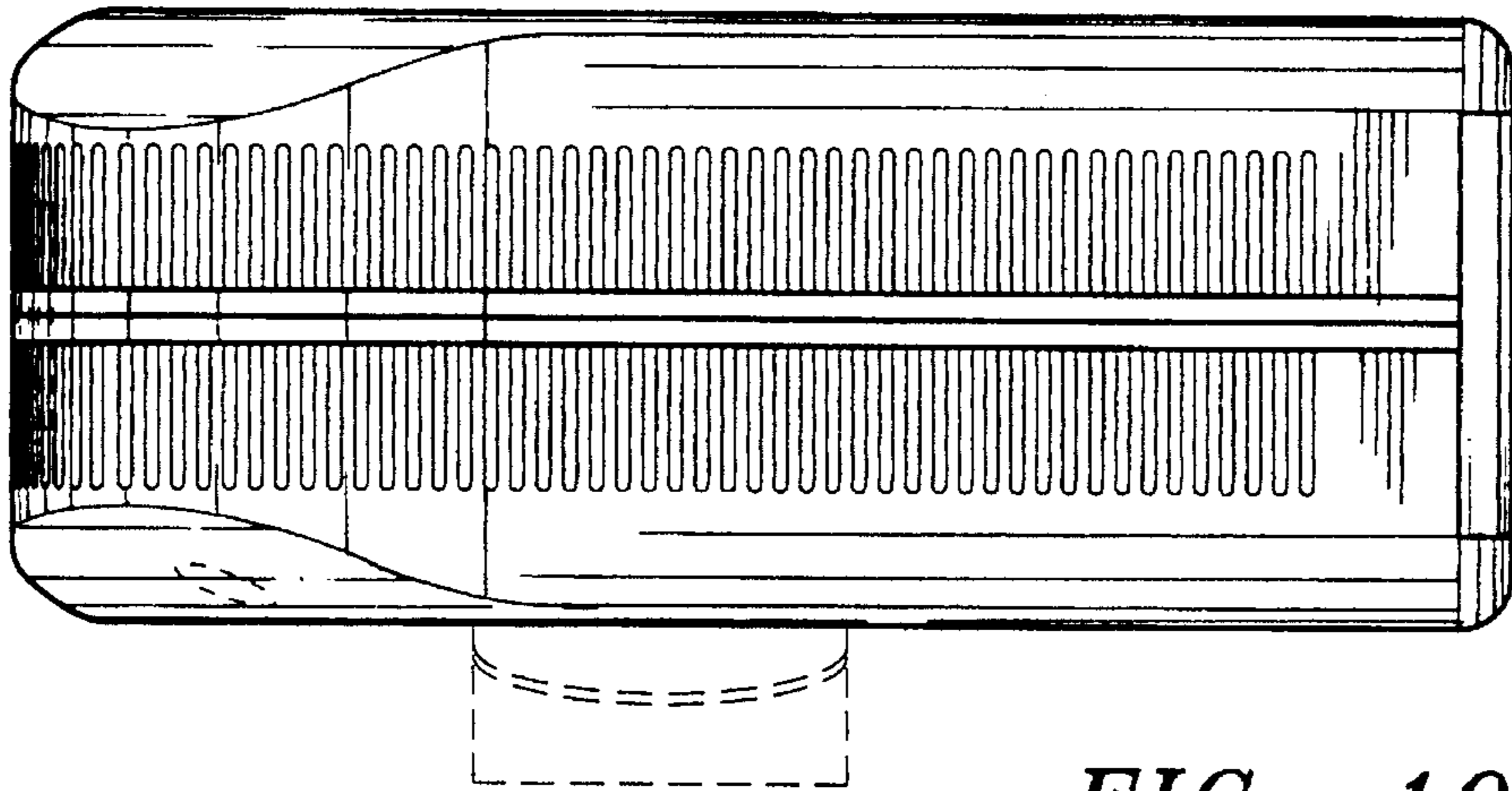


FIG. 10

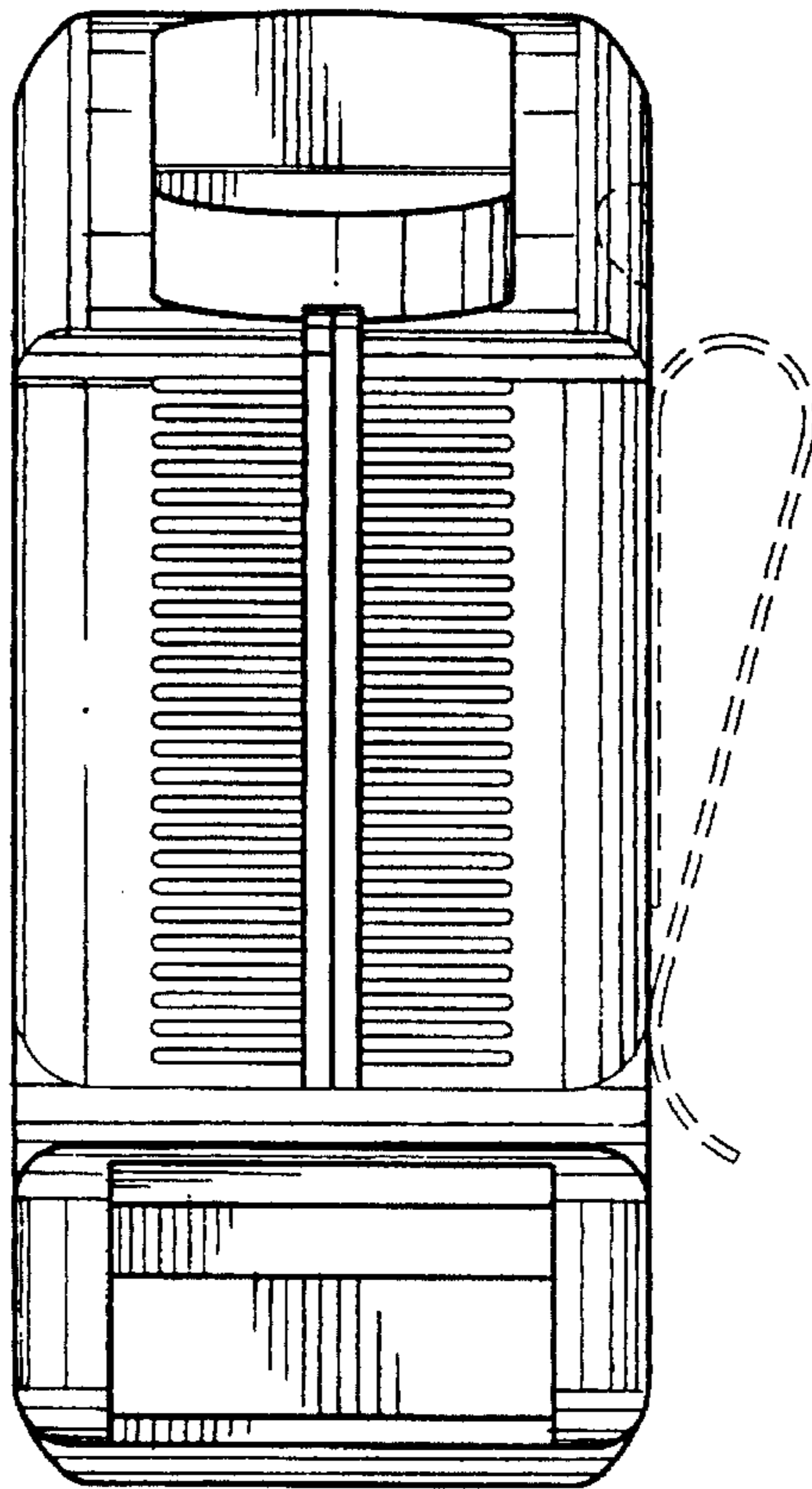


FIG. 11