



US00D373089S

United States Patent [19]

[11] **Patent Number: Des. 373,089**

Wang et al.

[45] **Date of Patent: **Aug. 27, 1996**

[54] **GOLF CLUB HEAD SURVEYING INSTRUMENT**

[76] Inventors: **Kuen-Yi Wang**, No. 26, Lane 380, Chung San East Rd., Fong San, Kaohsiung Hsien; **Mondher Latiri**, 7F 95-5 Shin-Gia Road, Feng-Shan, Kaohsiung, both of Taiwan

[**] Term: **14 Years**

[21] Appl. No.: **38,847**

[22] Filed: **May 16, 1995**

[52] U.S. Cl. **D10/65**

[58] Field of Search D10/46, 65; D21/234; 33/282, 283, 334, 370, 374, 508

[56] **References Cited**

U.S. PATENT DOCUMENTS

D. 340,653	10/1993	Cukon	D10/65
4,817,294	4/1989	Lai	33/508
4,928,397	5/1990	Wang	33/508
5,421,098	6/1995	Muldoon	33/508

Primary Examiner—Antoine Duval Davis
Attorney, Agent, or Firm—Low & Low

[57] **CLAIM**

The ornamental design for a golf club head surveying instrument, as shown and described.

DESCRIPTION

FIG. 1 is a perspective view of a preferred embodiment of the golf club head surveying instrument of the invention; FIG. 2 is a top plan view of the golf club head surveying instrument of FIG. 1; FIG. 3 is a right side elevational view of the golf club head surveying instrument of FIG. 1 looking toward the golf club wing nut clamping assembly; FIG. 4 is a left side elevational view of the golf club head surveying instrument of FIG. 1 looking toward the rear of the golf club wing nut clamping assembly; FIG. 5 is a rear elevational view of the golf club head surveying instrument; FIG. 6 is a front view of the golf club head surveying instrument; and, FIG. 7 is a right side elevational view of the golf club head surveying instrument similar to FIG. 3, but showing a modification wherein the triangular pointer and block assembly has been replaced by a protractor for indicating loft angle of a golf club being surveyed.

1 Claim, 7 Drawing Sheets

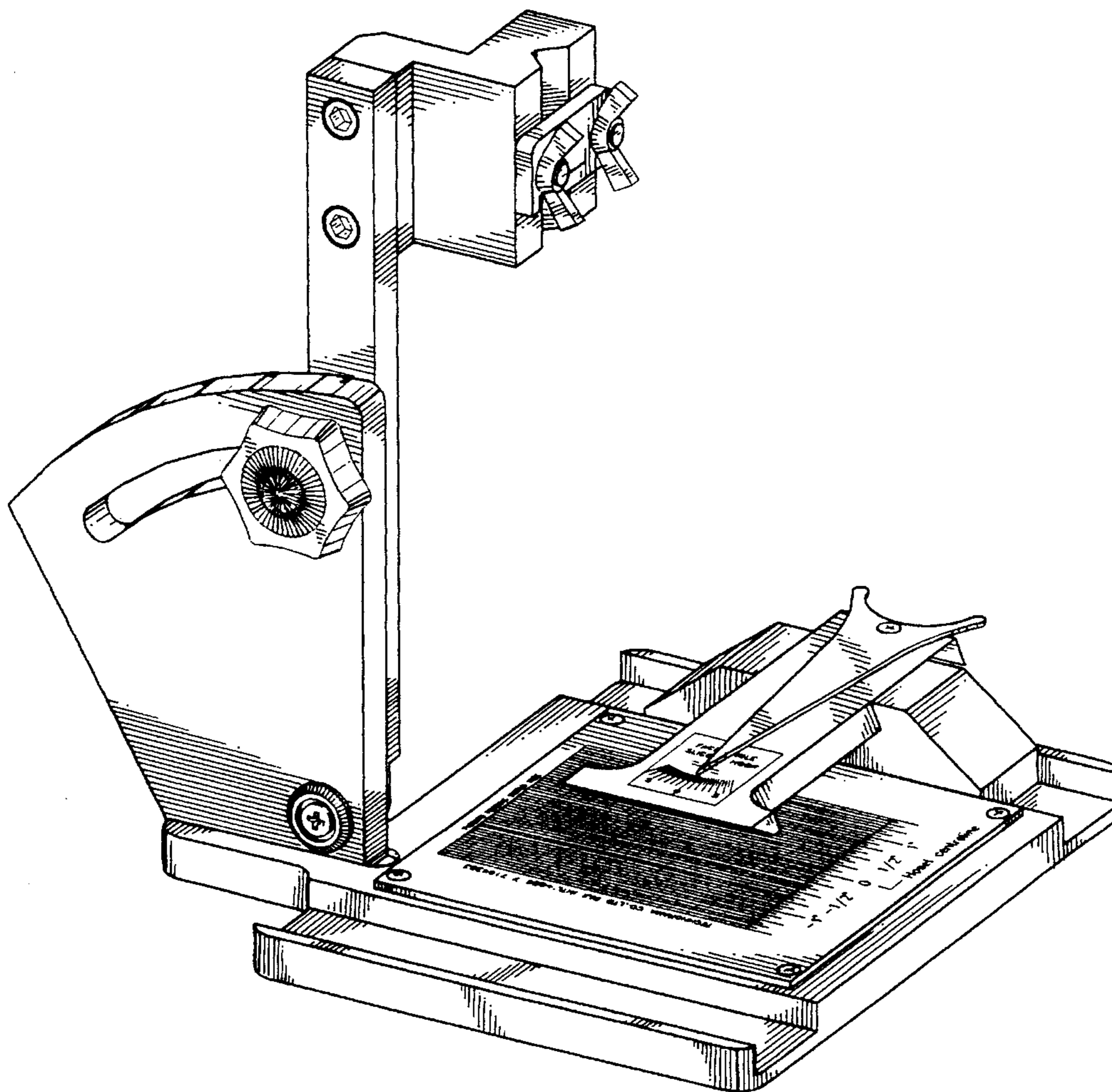
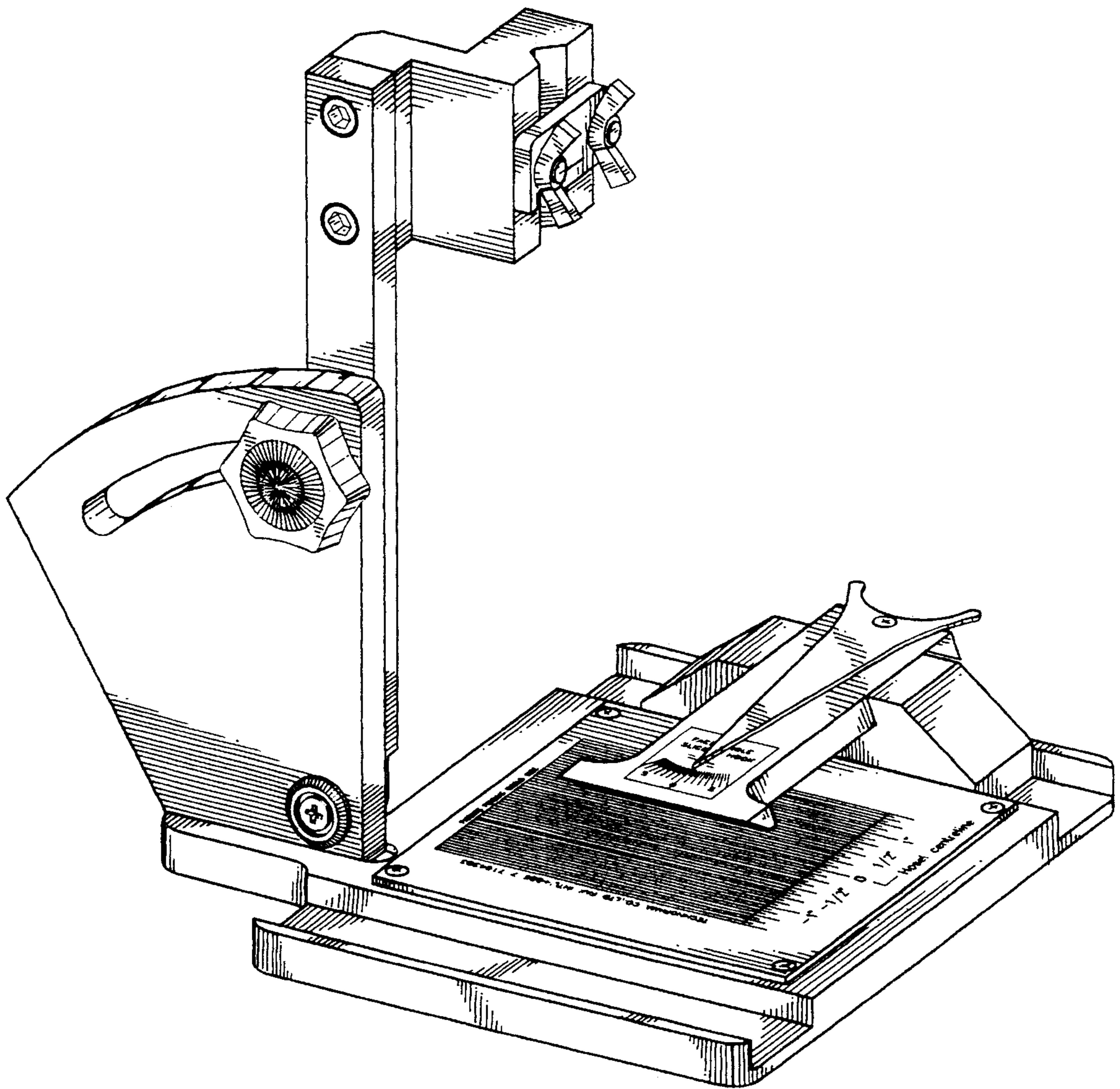


FIG. 1



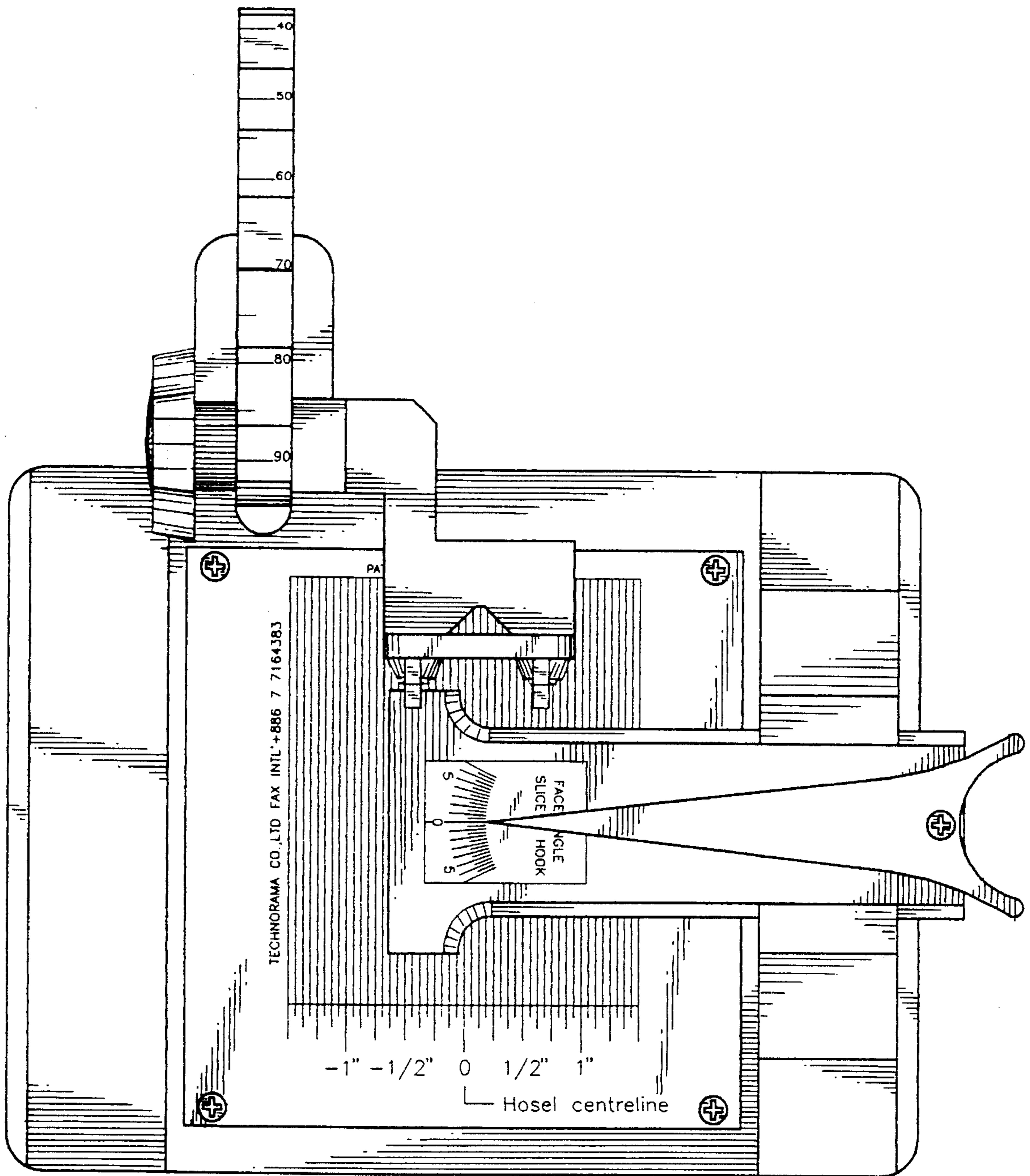


FIG. 2

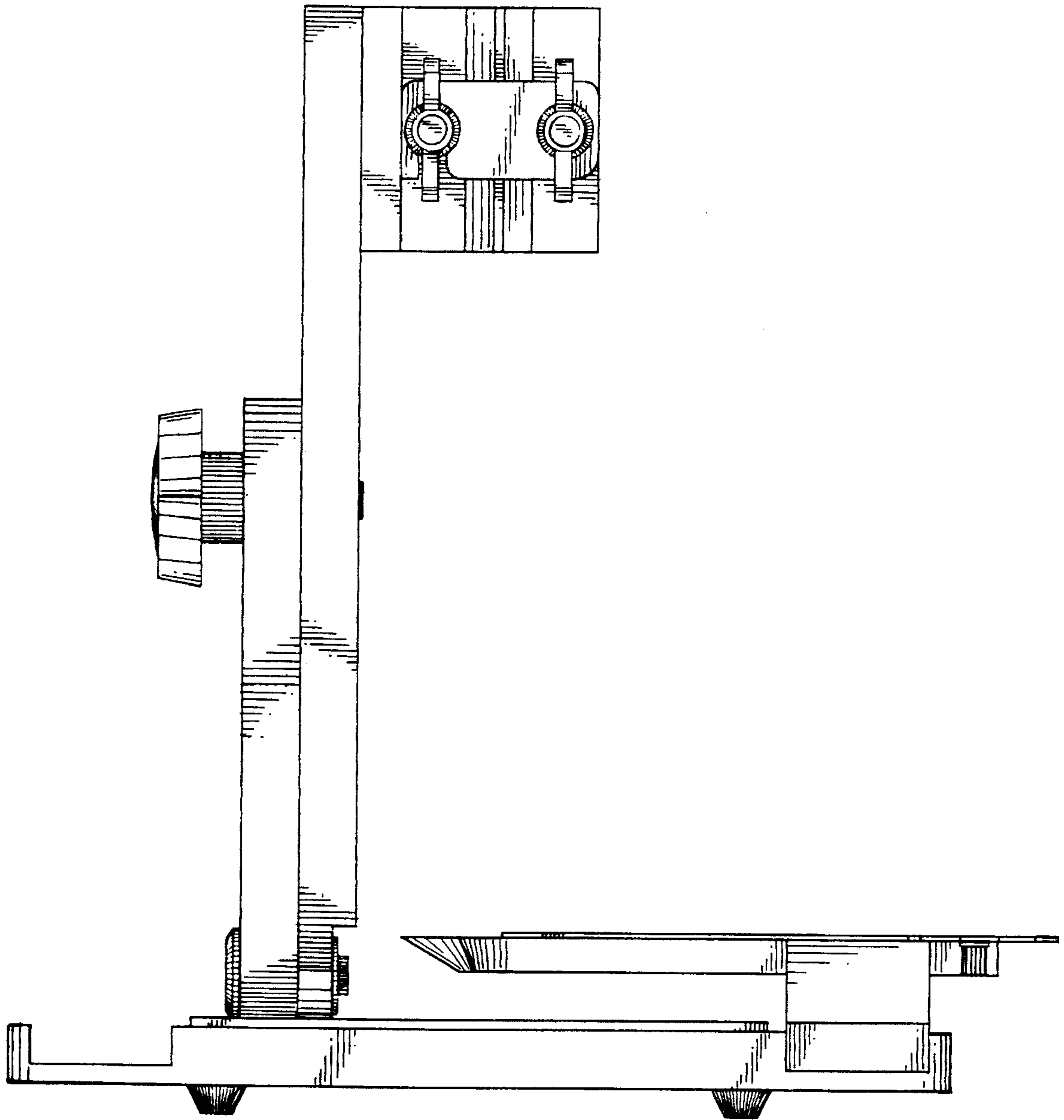


FIG. 3

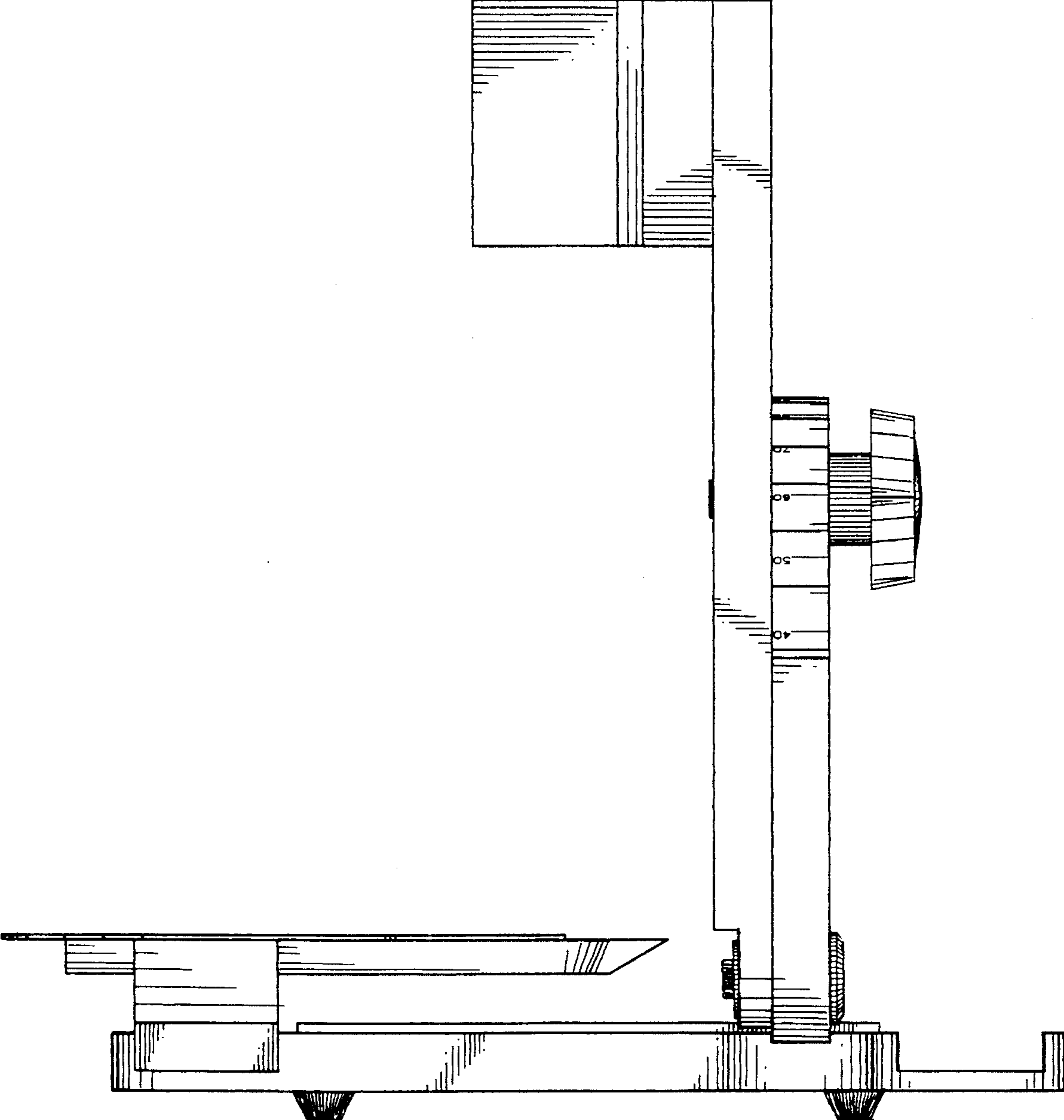


FIG. 4

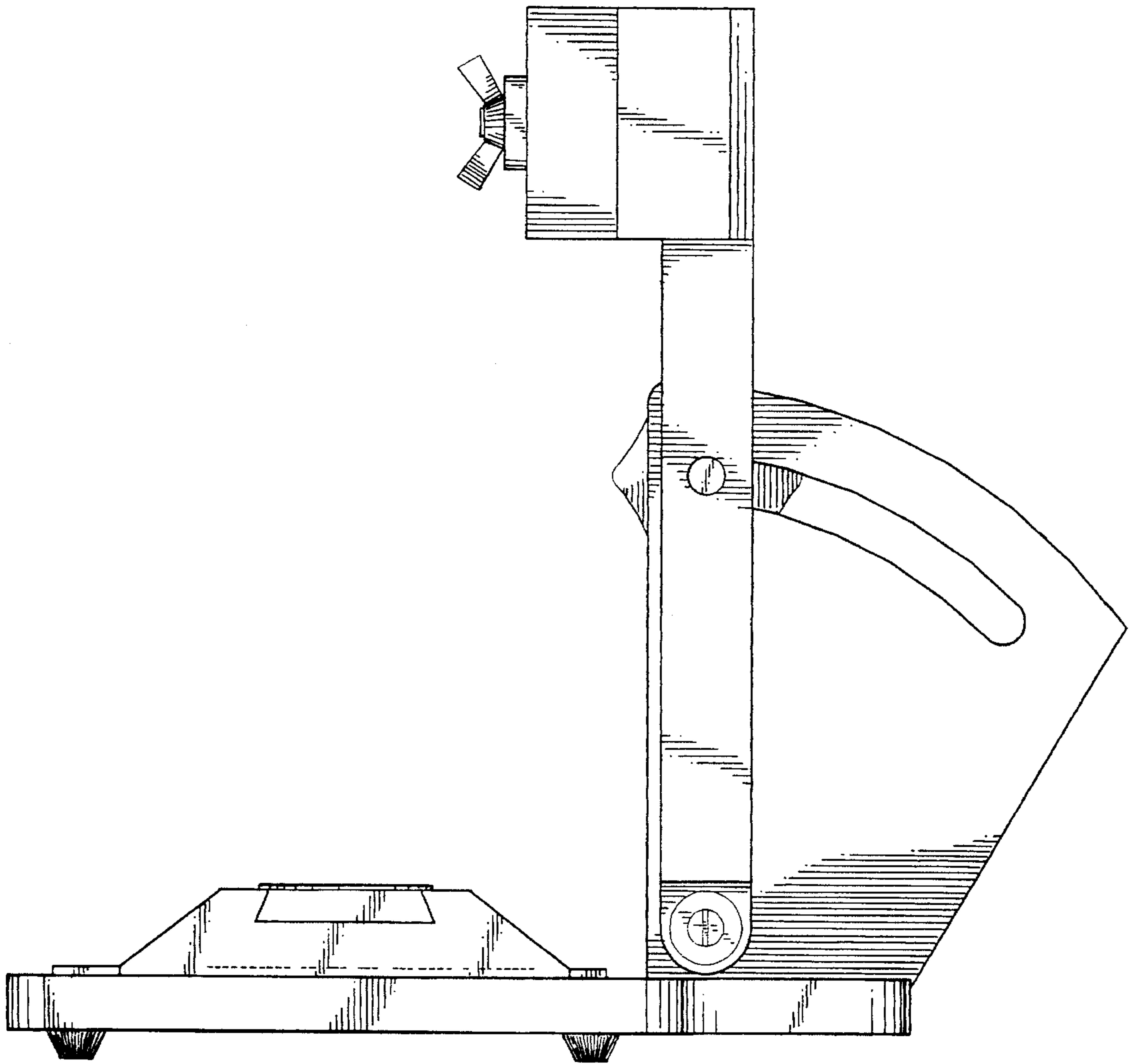


FIG. 5

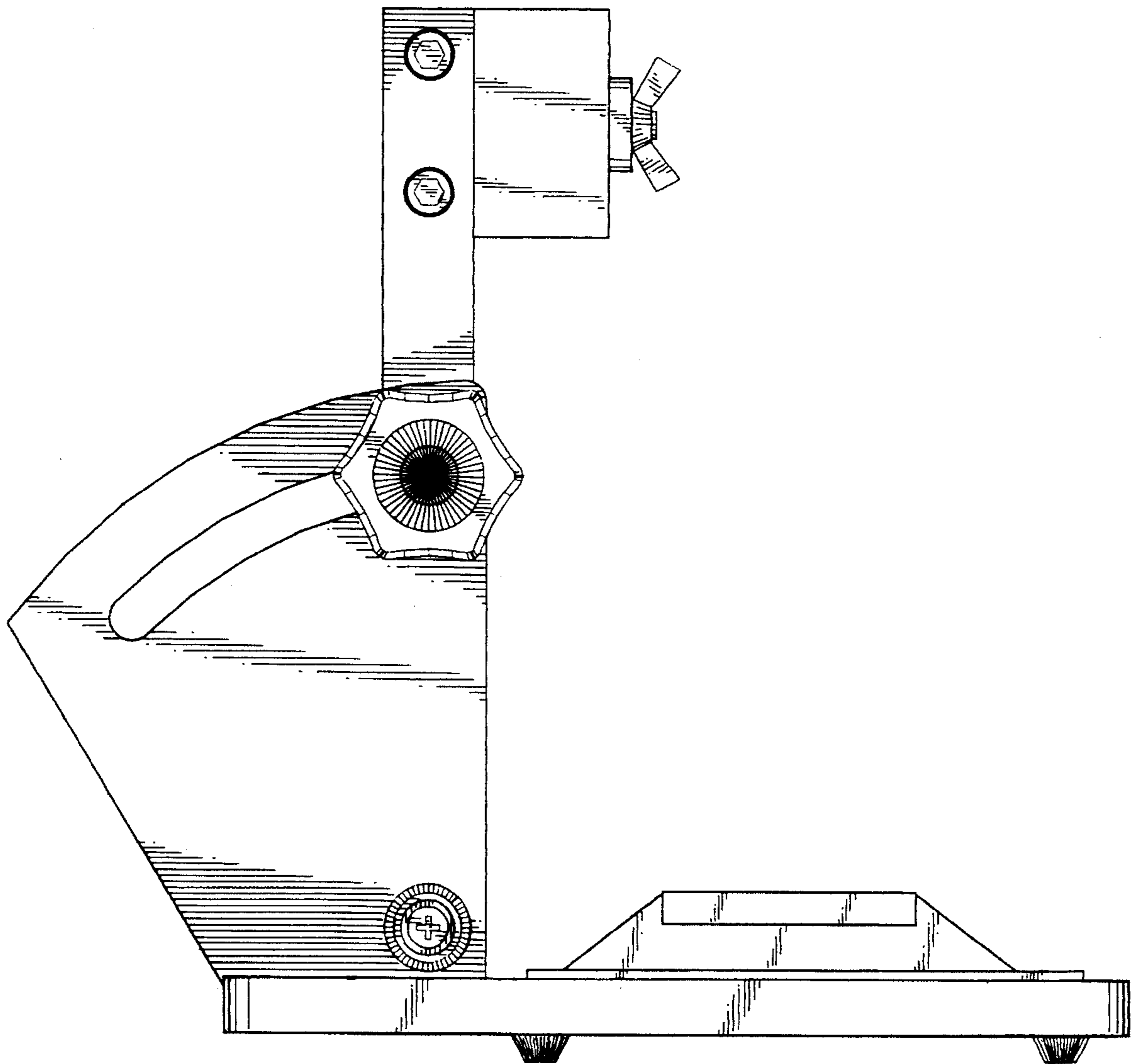


FIG. 6

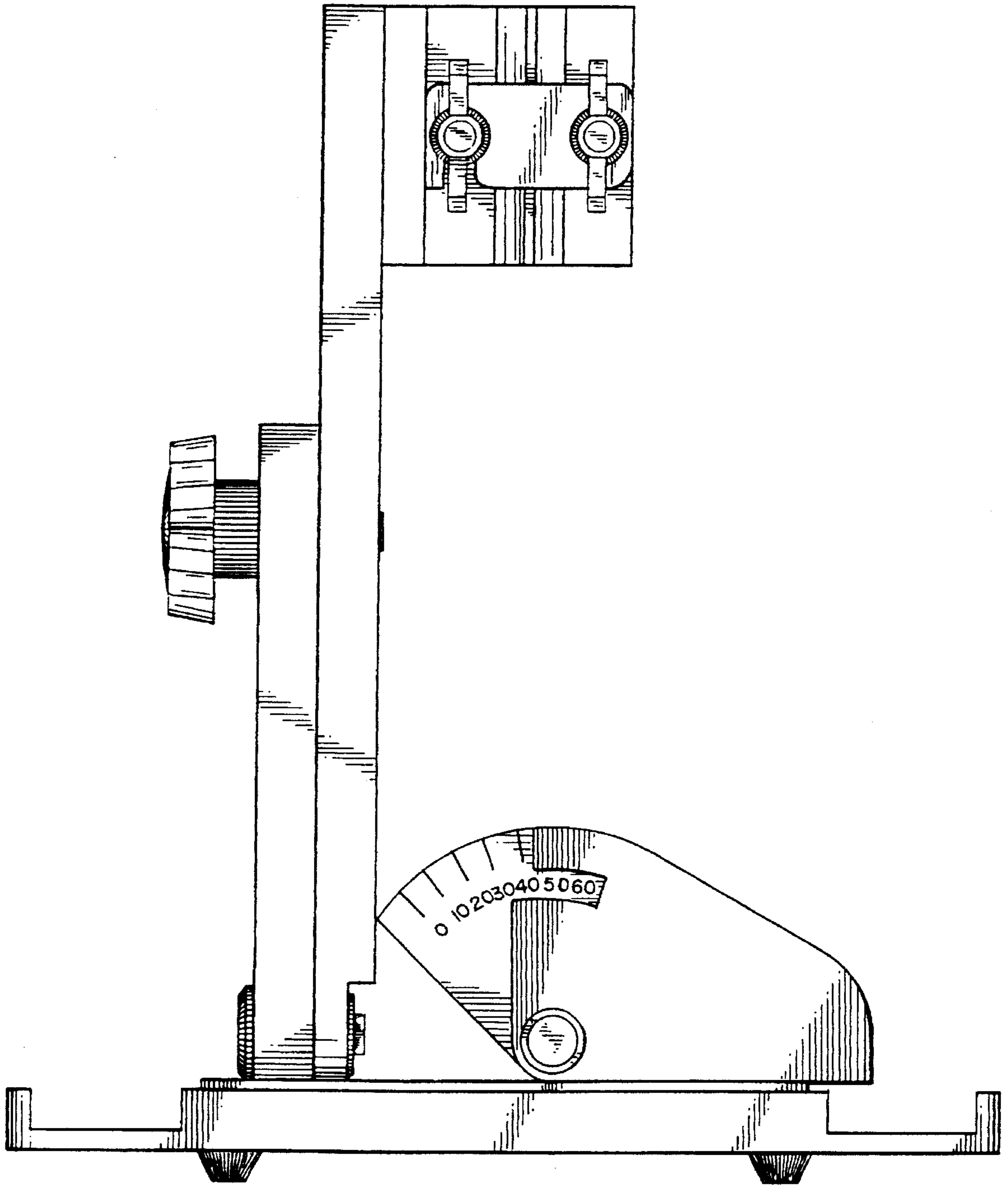


FIG. 7