



US00D373087S

United States Patent [19]

[11] Patent Number: **Des. 373,087**

Goulet Maubouissin

[45] Date of Patent: ****Aug. 27, 1996**

[54] **WATCH CASING WITHOUT FACE AND WATCHBAND**

Primary Examiner—Nelson C. Holtje
Attorney, Agent, or Firm—Darby & Darby, P.C.

[75] Inventor: **Jean Goulet Maubouissin**, Paris, France

[57] **CLAIM**

[73] Assignee: **Maubouissin - Successeur de Noury**, Paris, France

The ornamental design for watch casing without watch face and watchband, as shown and described.

[**] Term: **14 Years**

DESCRIPTION

[21] Appl. No.: **21,468**

FIG. 1 is a bottom perspective view of the watch casing without watch face and watchband showing my new design;

[22] Filed: **Apr. 18, 1994**

FIG. 2 is a top perspective view thereof;

[52] U.S. Cl. **D10/30; D10/38**

FIG. 3 is a bottom plan view thereof;

[58] Field of Search **D10/1-40, 122-132; 368/280-282, 276-14 277, 285**

FIG. 4 is an right side elevated view thereof;

[56] **References Cited**

U.S. PATENT DOCUMENTS

- D. 113,120 1/1939 Schlenker D10/25
- D. 316,228 4/1991 Frommherz D10/30

FIG. 5 is an left side elevated view thereof;

FIG. 6 is an top side elevated view thereof; and,

OTHER PUBLICATIONS

- Swiss Watch & Jewelry Journal*—May 1983—p. 554—
Watch at center.
- Swiss Watch & Jewelry Journal*—Jun. 1982—p. 696—
Watches at bottom-right.

FIG. 7 is an bottom side elevated view thereof.

1 Claim, 7 Drawing Sheets

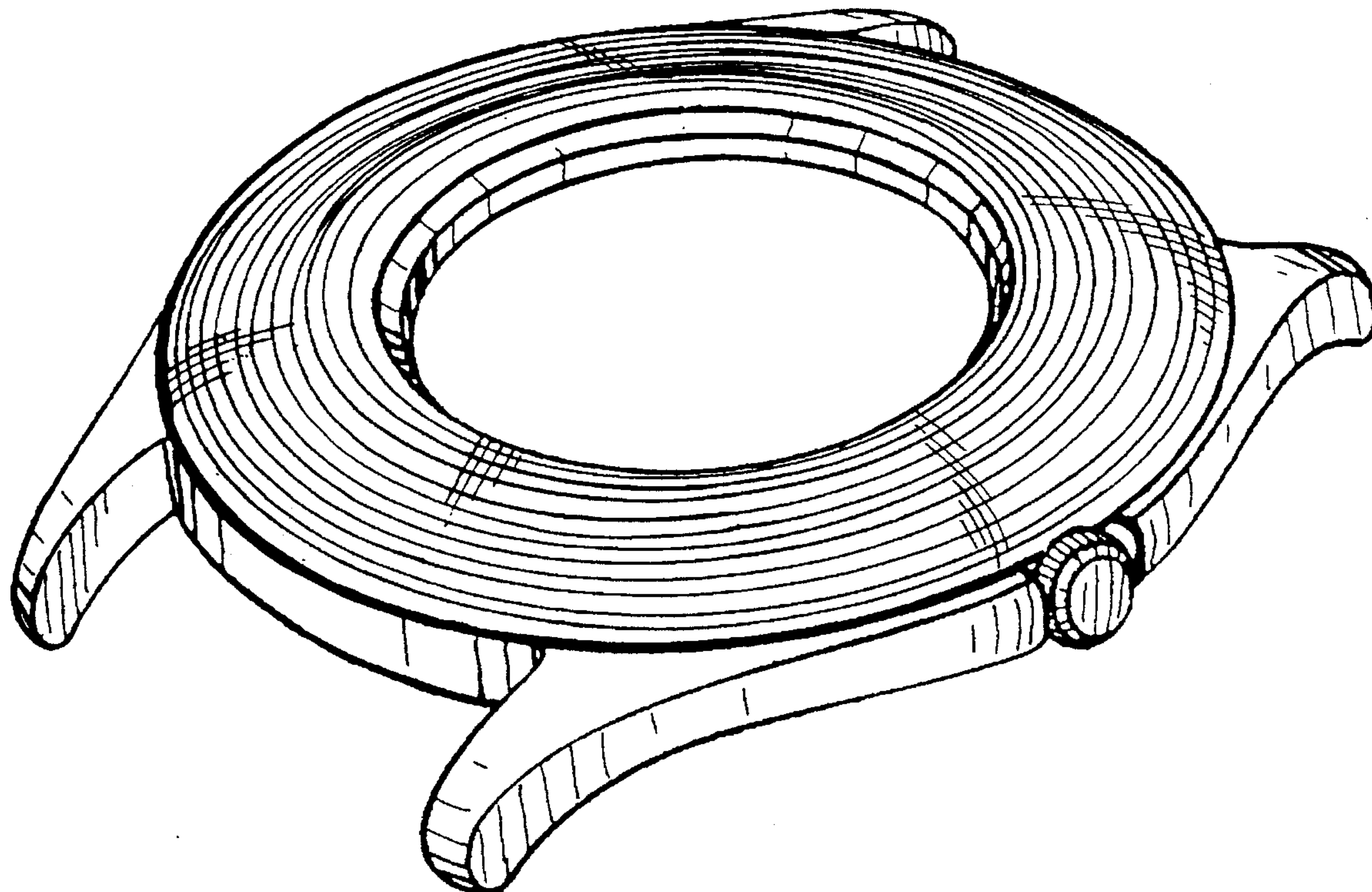


FIG. 1

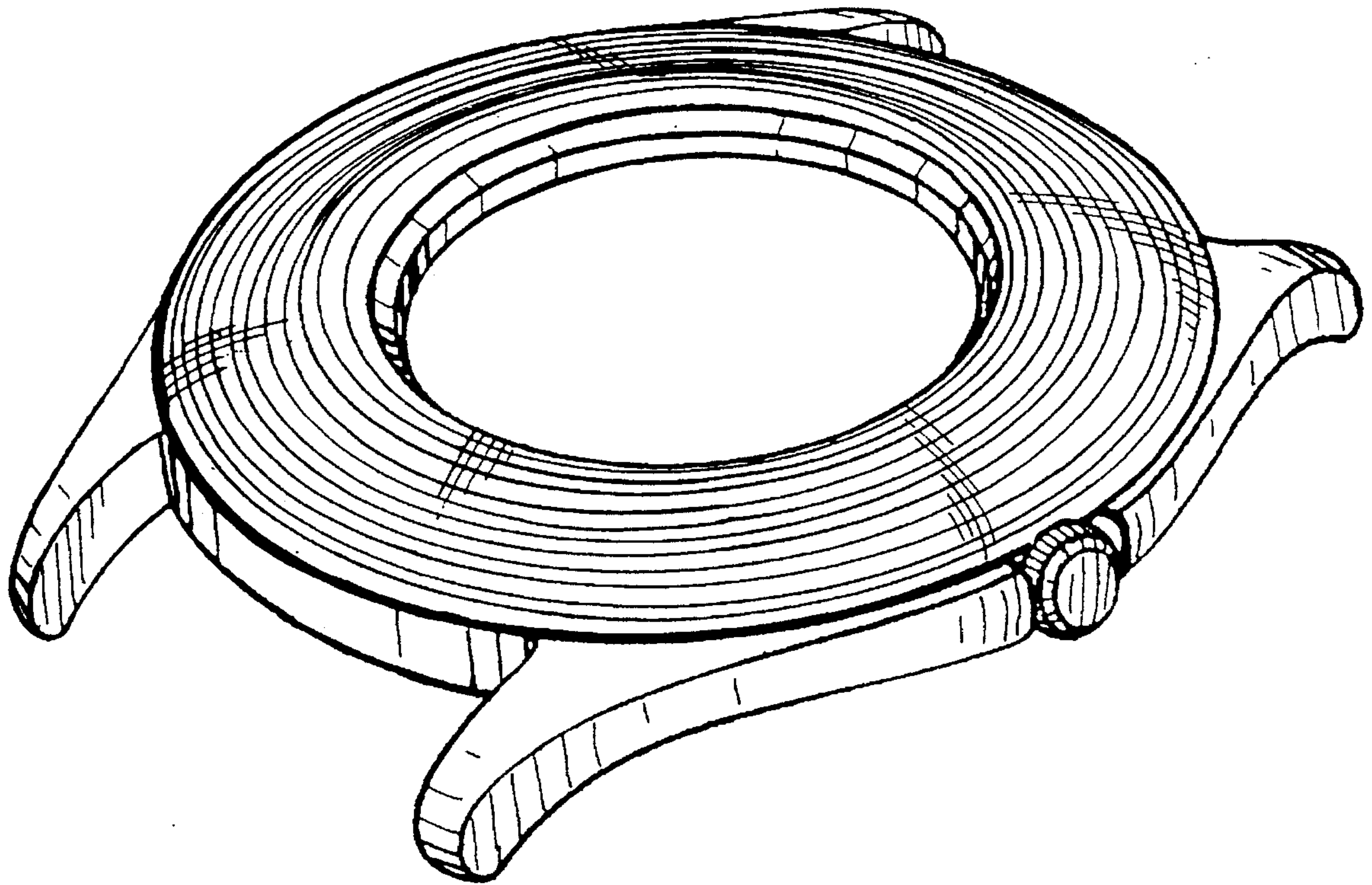


FIG. 2

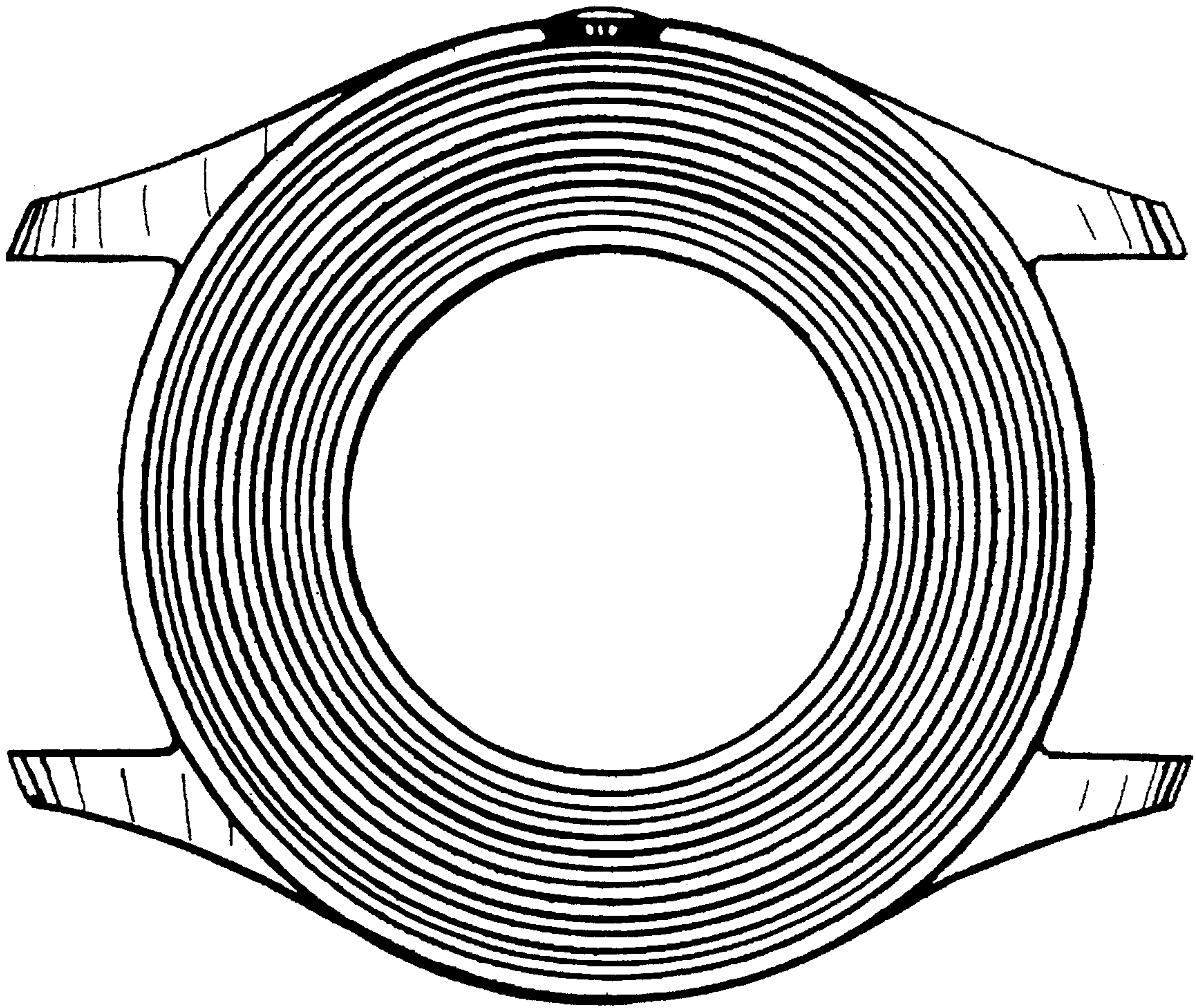


FIG. 3

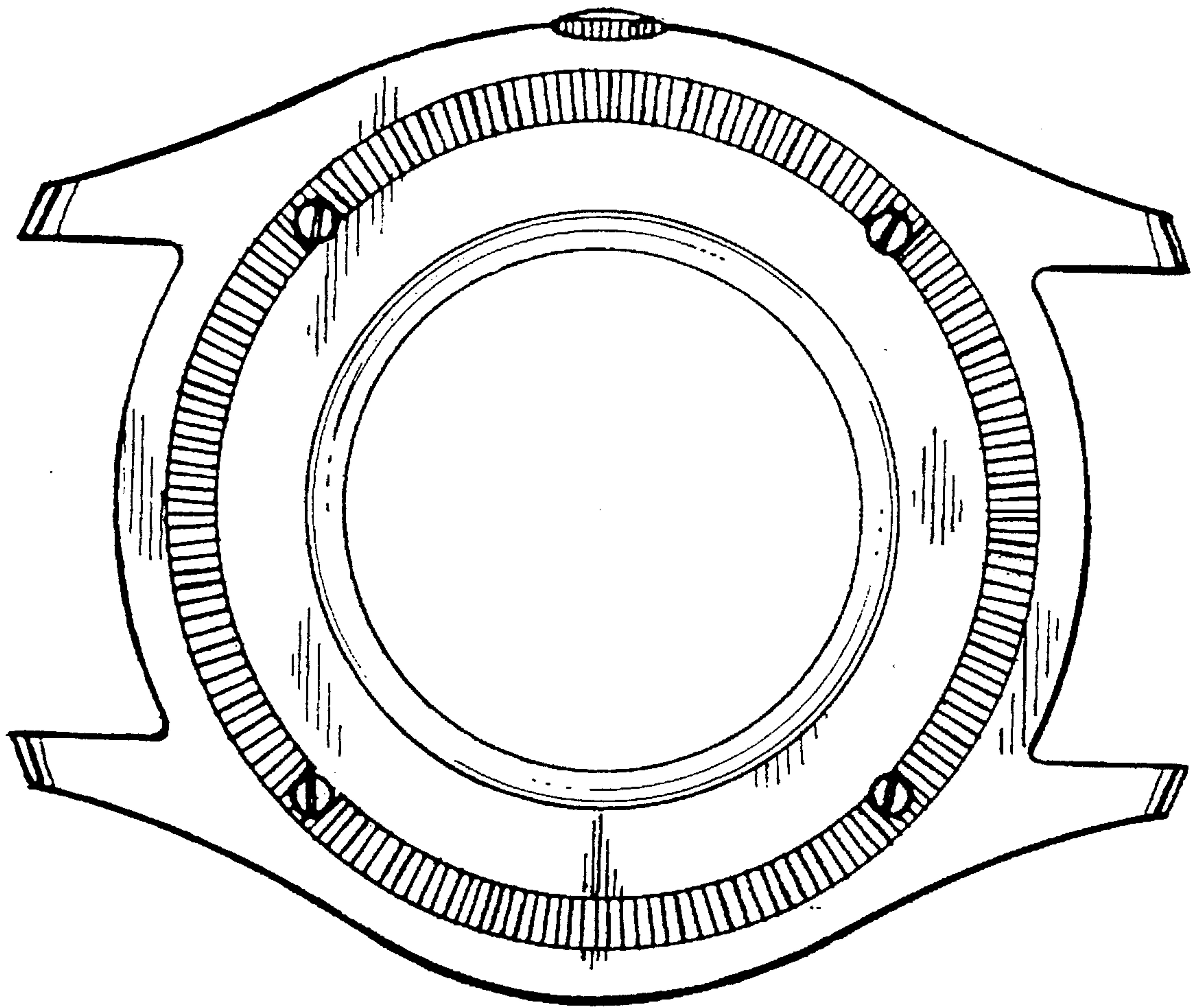


FIG. 4

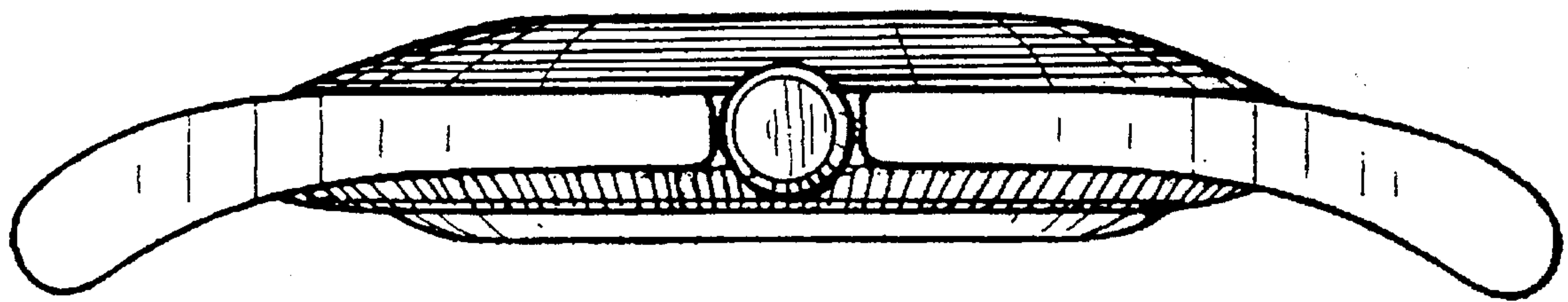


FIG. 5

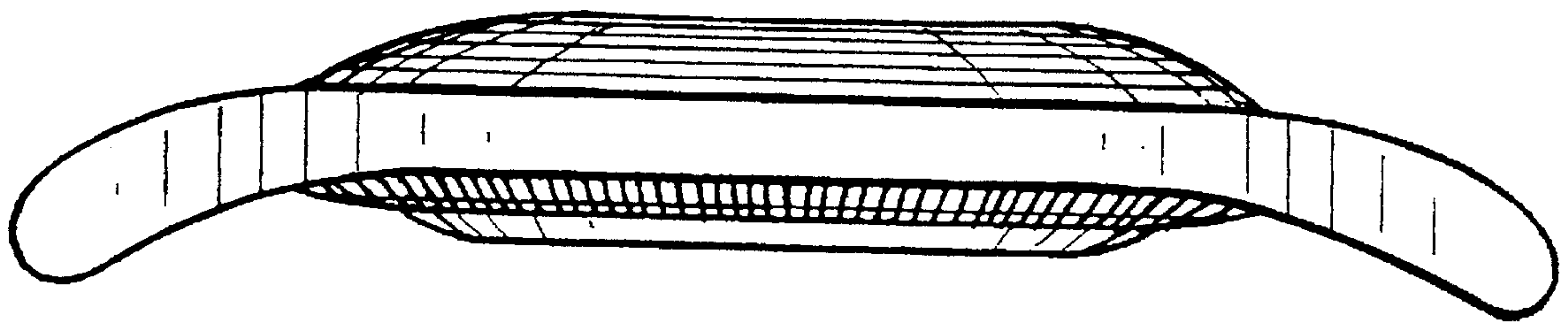


FIG. 6

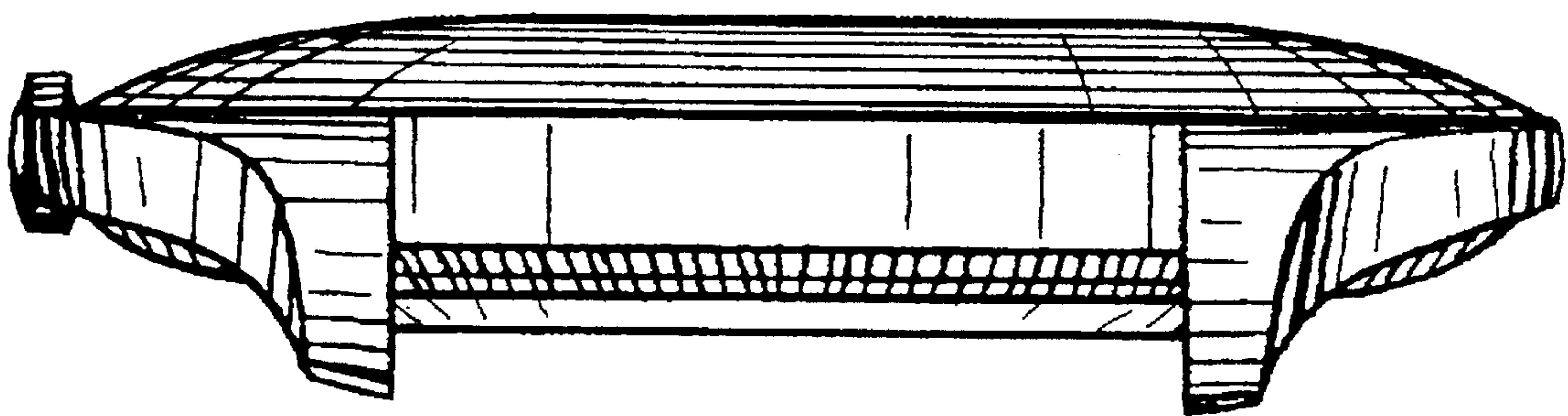
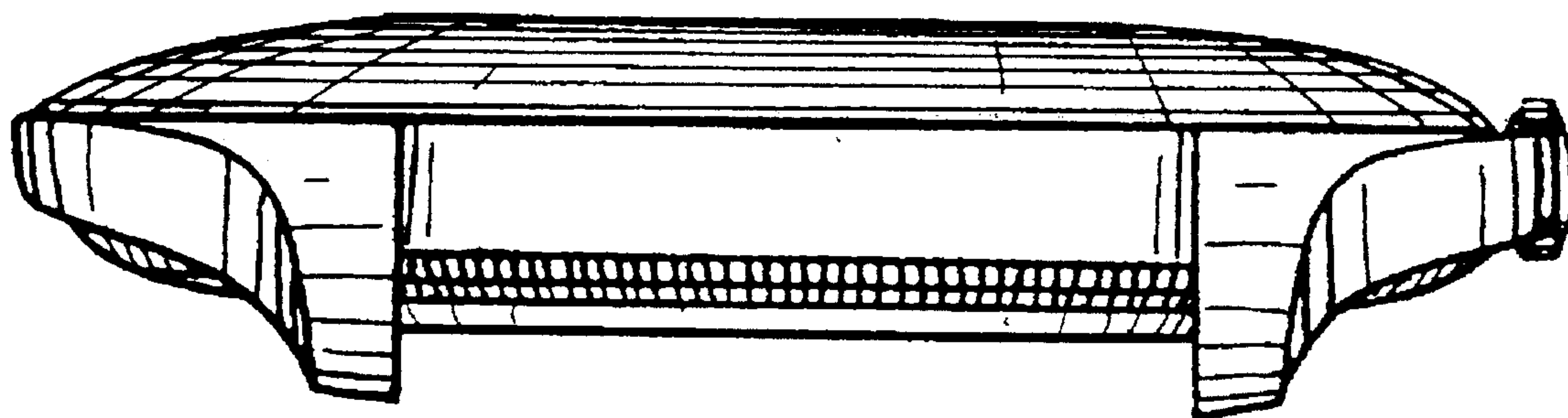


FIG. 7



UNITED STATES PATENT AND TRADEMARK OFFICE
CERTIFICATE OF CORRECTION

PATENT NO. : Des. 373,087

DATED : August 27, 1996

INVENTOR(S) : Jean Goulet Mauboussin

It is certified that error appears in the above-identified patent and that said Letters Patent is hereby corrected as shown below:

On the title page: Item [75] delete the applicant's name as follows: "Goulet Maubouissin" and insert therefor --Goulet Mauboussin--.

Item [30]

--Foreign Application Priority Data

March 28, 1994 [WO] WIPO PCT/DM 029.159--

Signed and Sealed this
Twelfth Day of November, 1996

Attest:



BRUCE LEHMAN

Attesting Officer

Commissioner of Patents and Trademarks