



US00D373082S

# United States Patent [19]

Ferrara, Jr.

[11] Patent Number: Des. 373,082

[45] Date of Patent: \*\*Aug. 27, 1996

[54] **COMPOSITE OVERCAP AND DELIVERY HEAD FOR A CONTAINER**

4,353,483 10/1982 Pehr ..... 215/216  
4,741,088 5/1988 Ramella .

[75] Inventor: Daniel A. Ferrara, Jr., Bantam, Conn.

*Primary Examiner*—Alan P. Douglas  
*Assistant Examiner*—Robert M. Spear  
*Attorney, Agent, or Firm*—Kilgannon & Steidl

[73] Assignee: Precision Valve Corporation, Yonkers, N.Y.

[\*\*] Term: 14 Years

[57] **CLAIM**

[21] Appl. No.: 21,329

The ornamental design for a composite overcap and delivery head for a container, as shown and described.

[22] Filed: Apr. 14, 1994

**DESCRIPTION**

**Related U.S. Application Data**

[63] Continuation-in-part of Ser. No. 14,567, Oct. 25, 1993, abandoned.

[52] U.S. Cl. .... D9/447

[58] Field of Search ..... D9/434-6, 440, D9/443-9, 454, 338; 220/337-8, 375, 915; 222/190, 402.1, 402.23, 481, 631; 239/548, 550

FIG. 1 is a top plan view of a composite overlap and delivery head for a container, showing my new design in the opened position;

FIG. 2 is a top plan view thereof, shown in the closed position;

FIG. 3 is a bottom plan view thereof;

FIG. 4 is a side elevational view of FIG. 1, the opposite side view being a mirror image thereof;

FIG. 5 is a rear elevational view thereof;

FIG. 6 is a front elevational view thereof;

FIG. 7 is a side elevational view similar to FIG. 4, showing the design in the closed position;

FIG. 8 is a rear elevational view similar to FIG. 5, showing the design in the closed position; and,

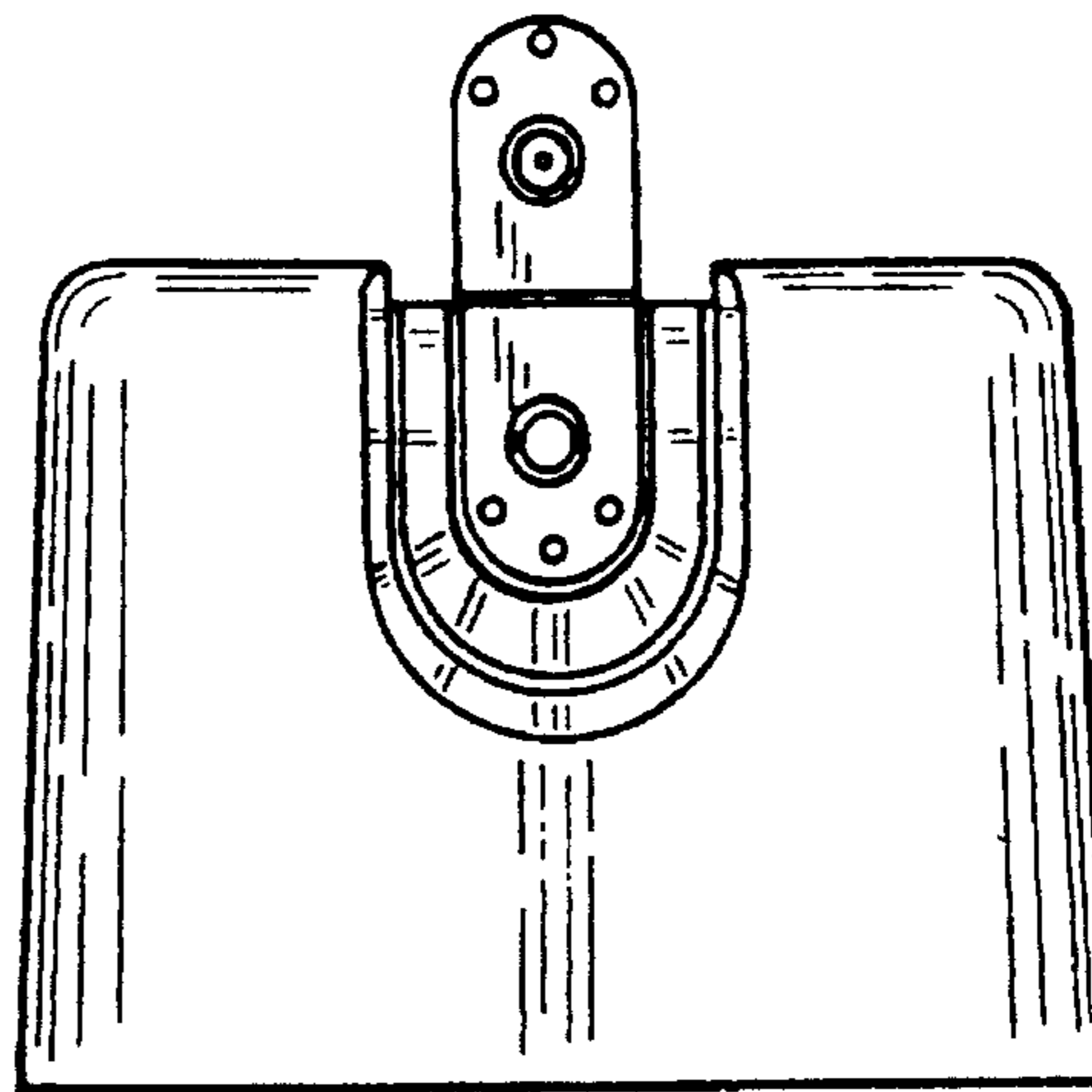
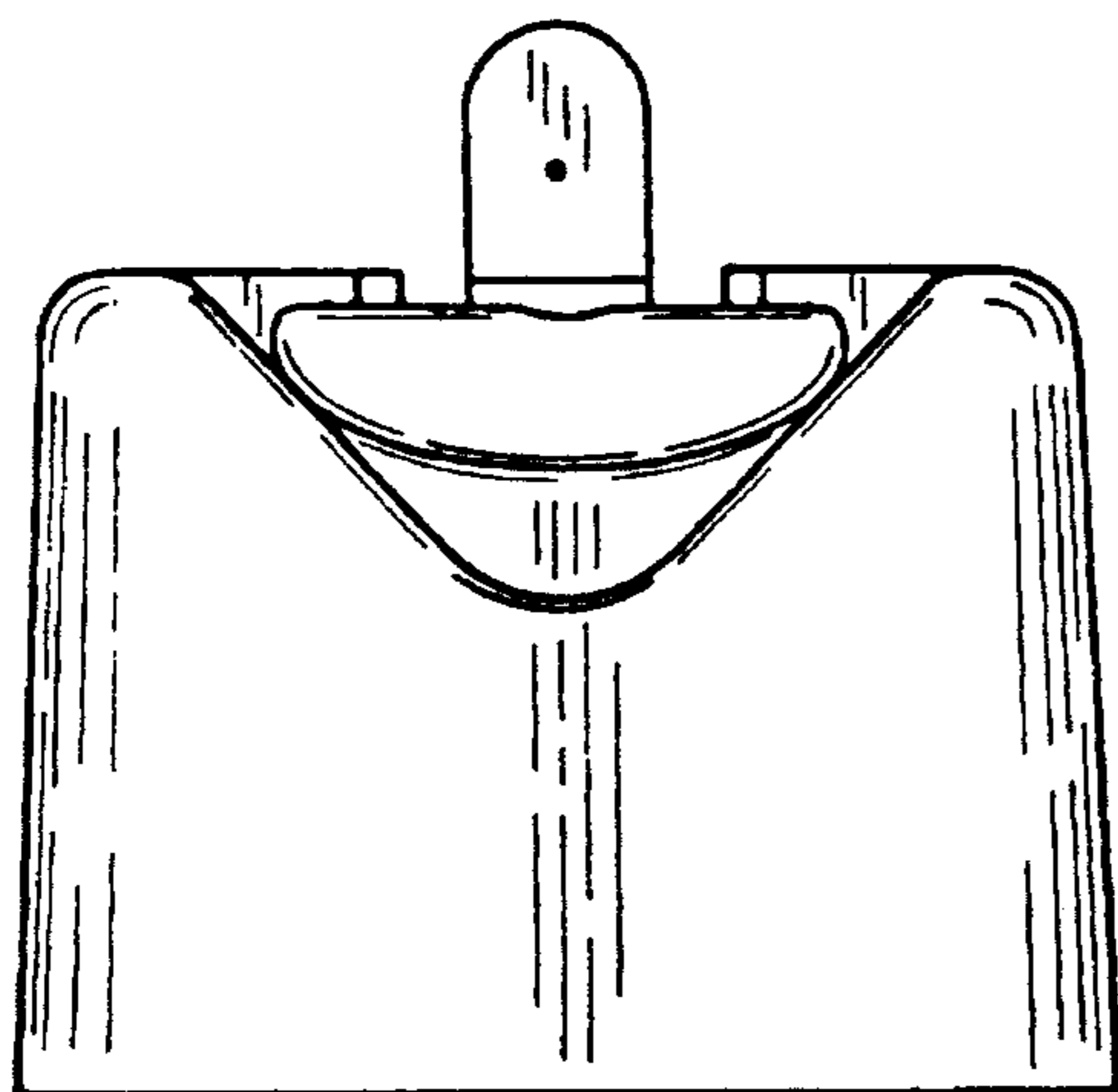
FIG. 9 is a front elevational view similar to FIG. 6, showing the design in the closed position.

[56] **References Cited**

**U.S. PATENT DOCUMENTS**

- D. 123,069 10/1940 Weill ..... D9/435
- D. 267,855 2/1983 French ..... D9/434
- D. 279,866 7/1985 Czech ..... D9/447
- D. 309,435 7/1990 Sharman et al. .... D9/435

1 Claim, 2 Drawing Sheets



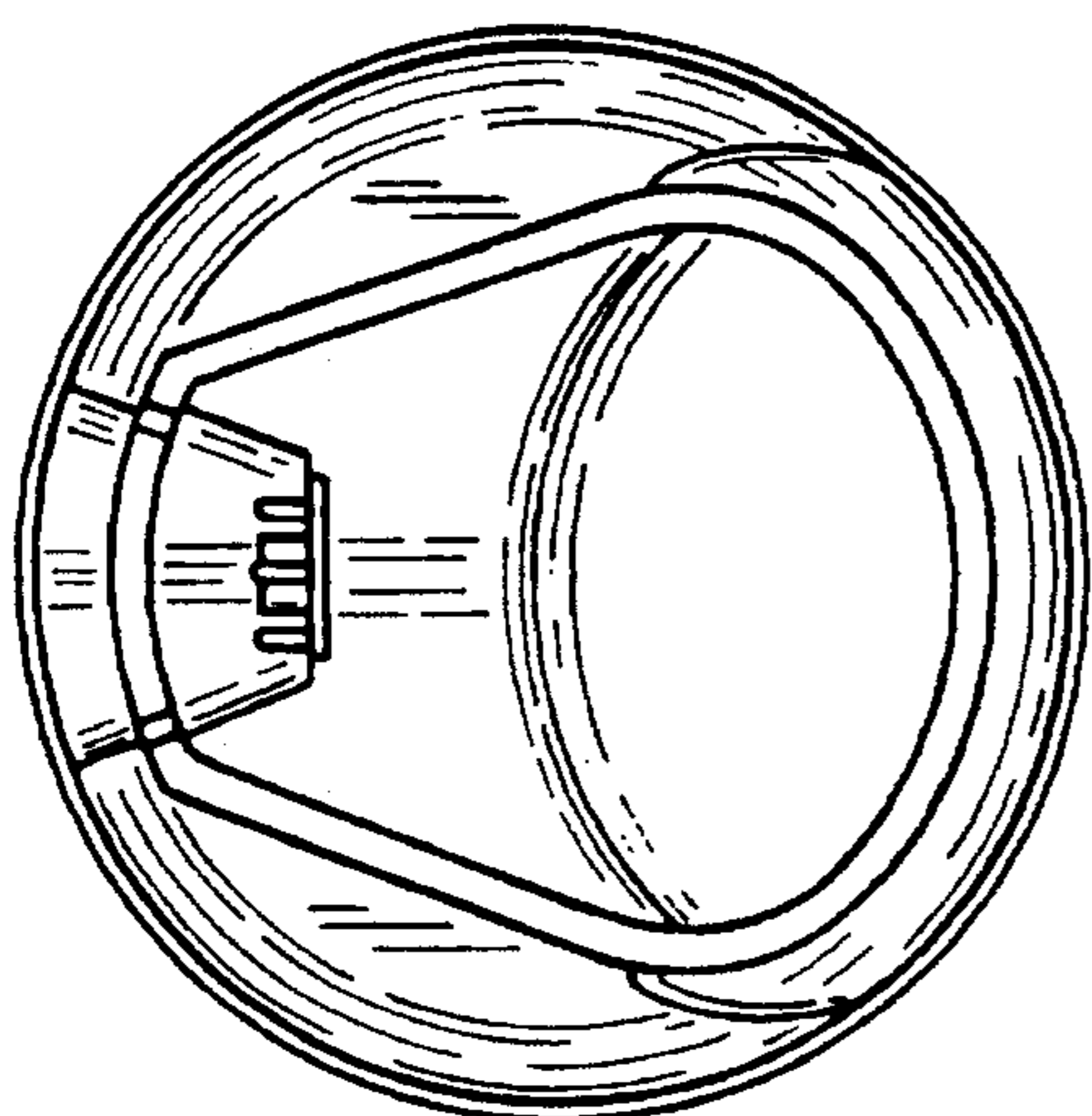


FIG. 1

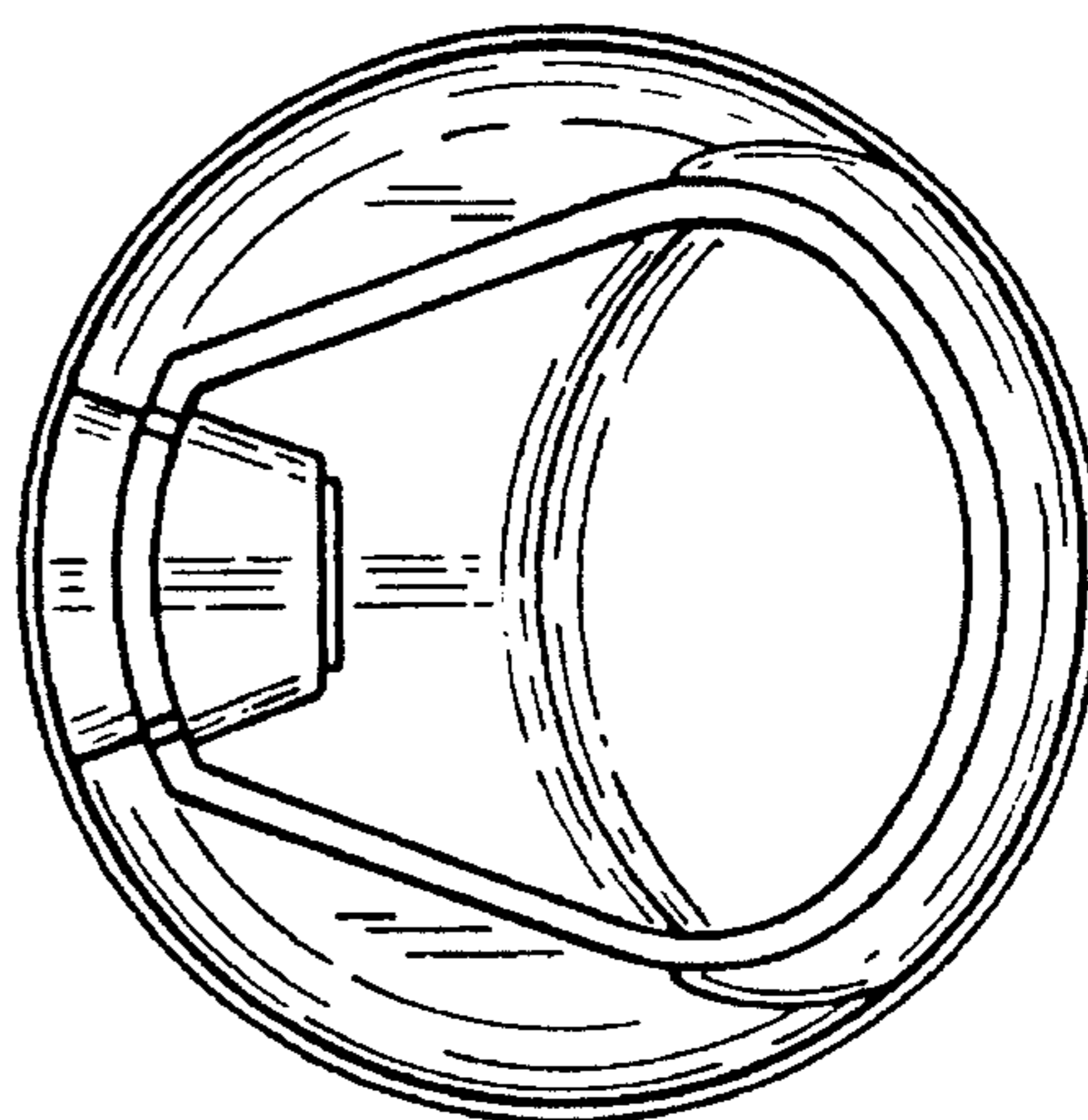


FIG. 2

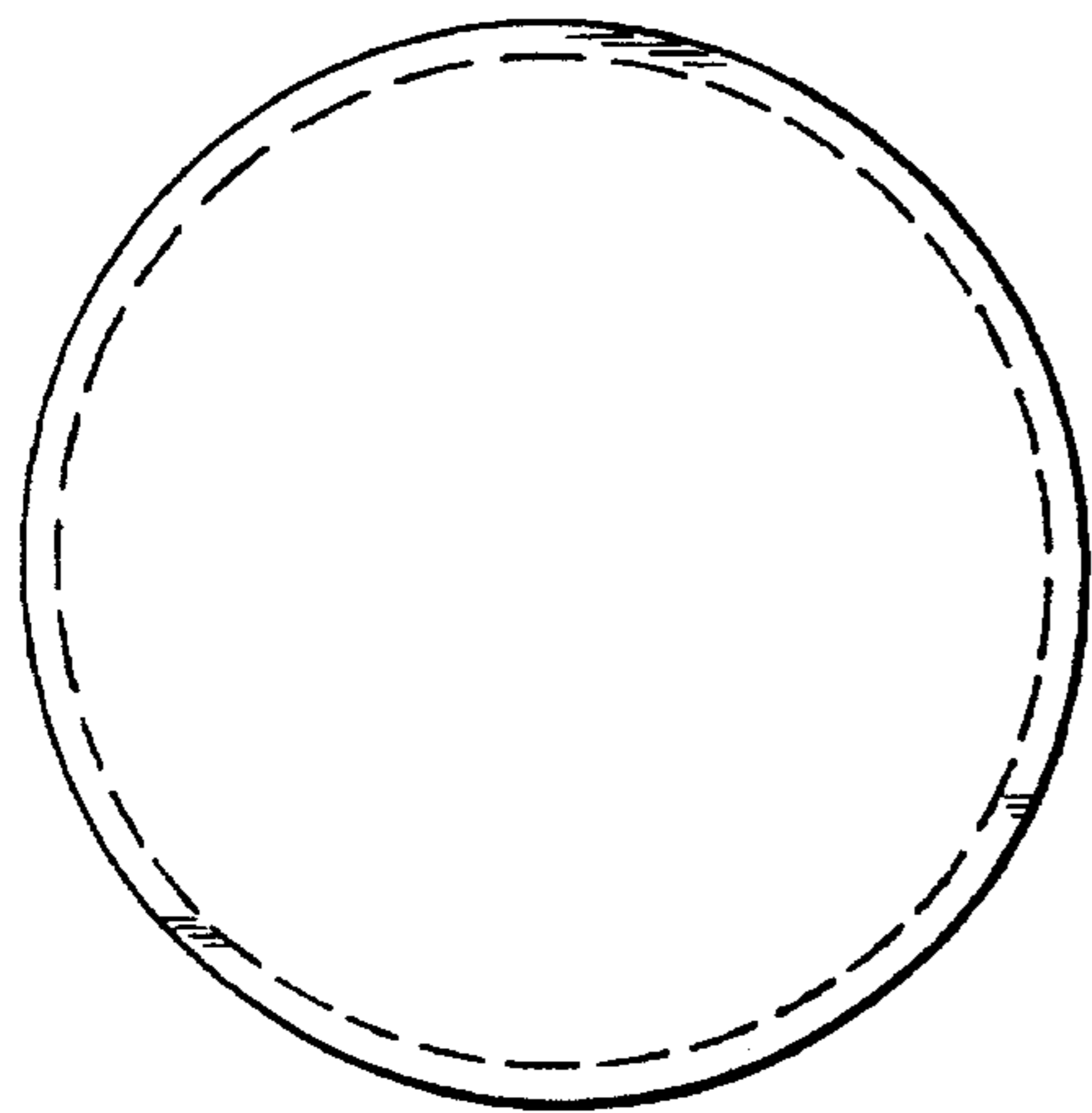


FIG. 3

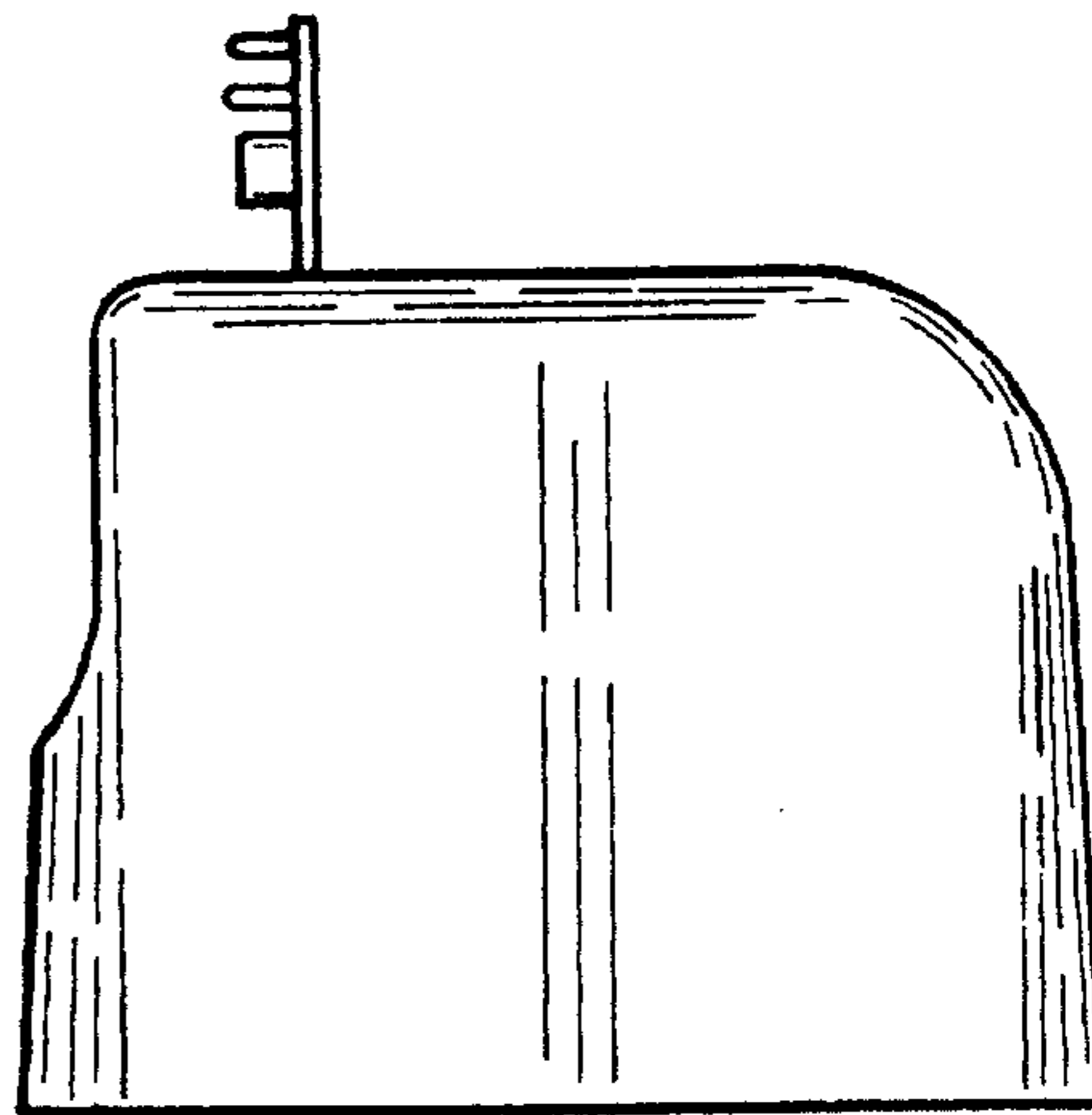


FIG. 4

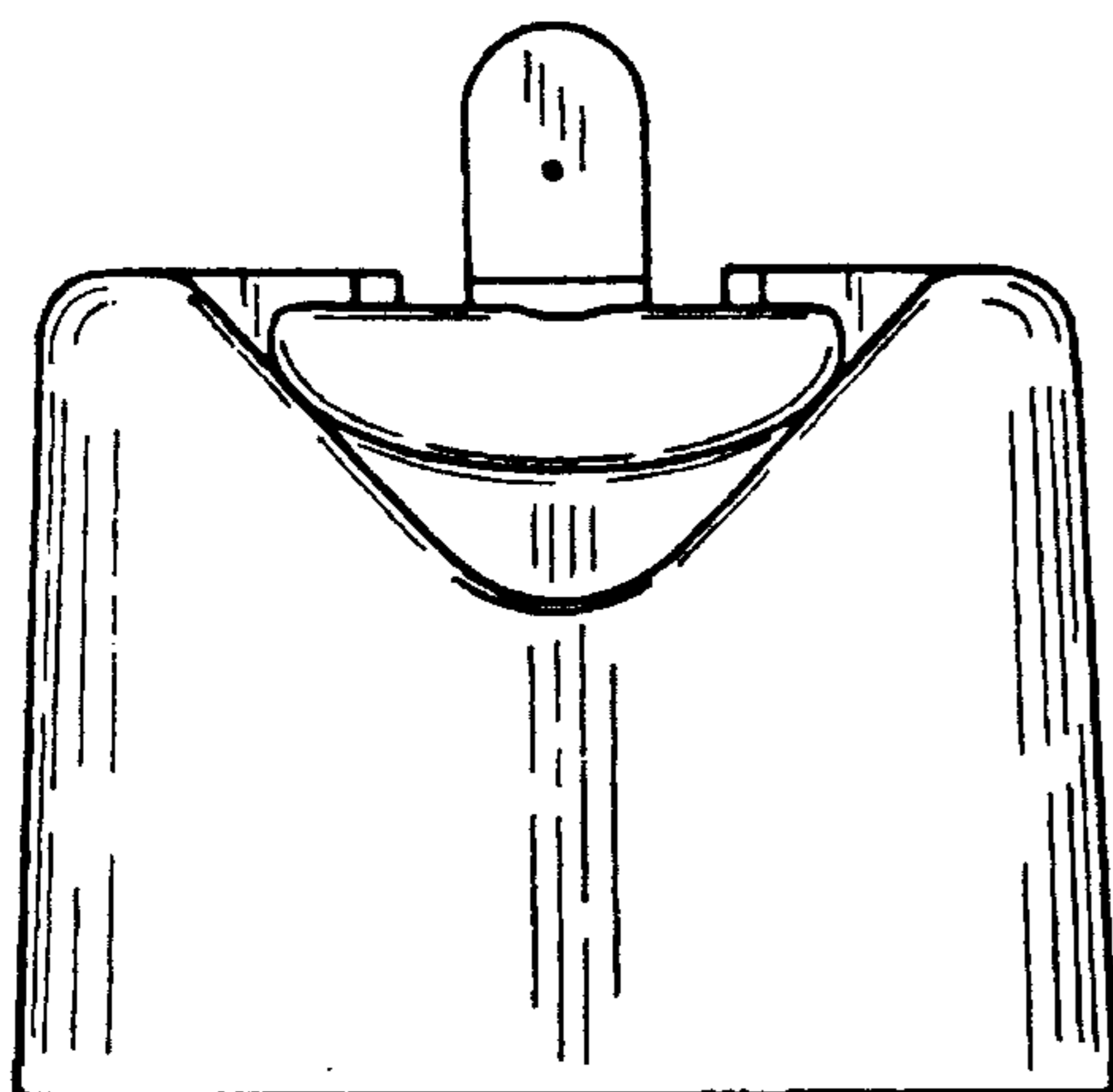


FIG. 5

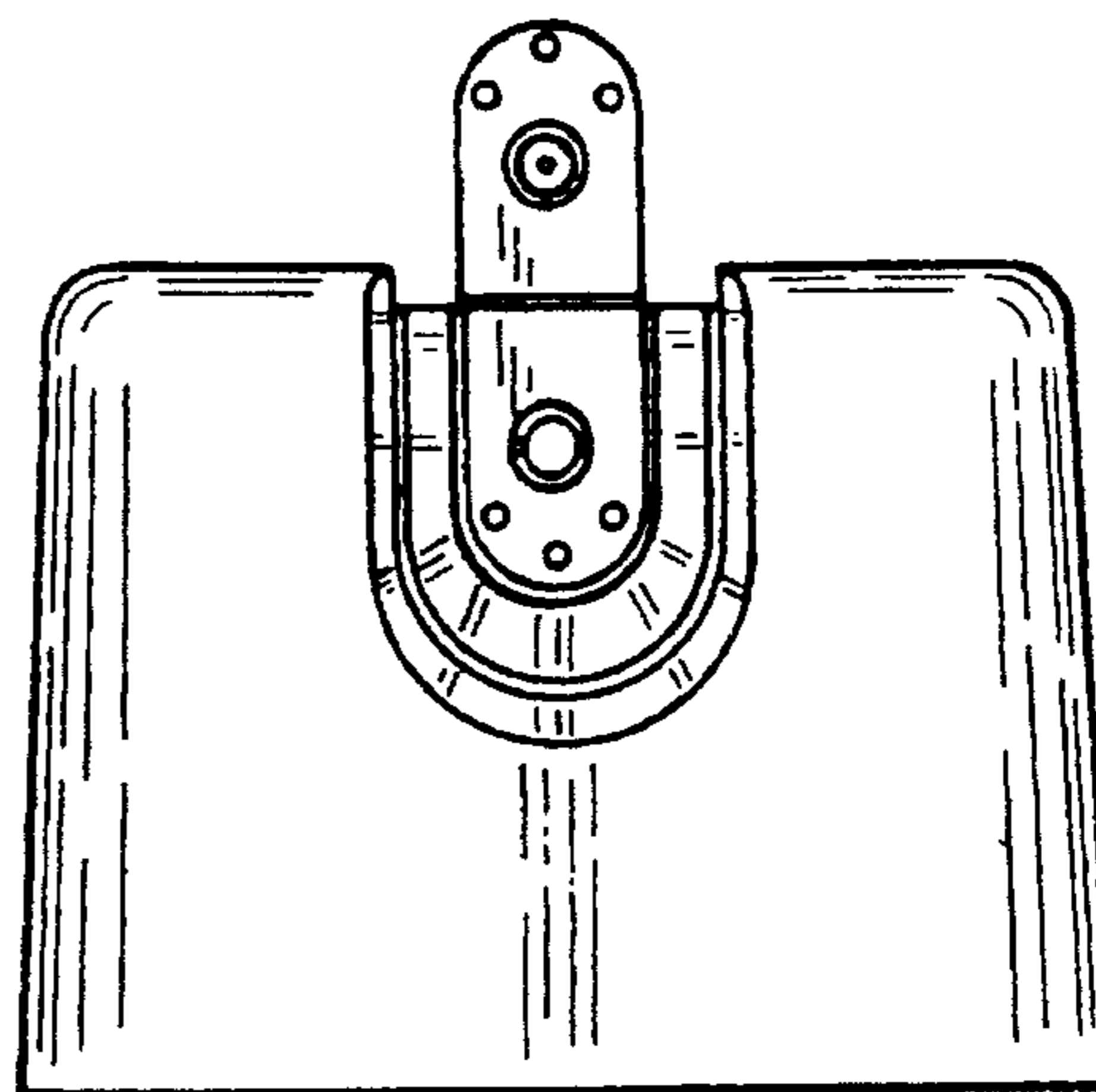


FIG. 6

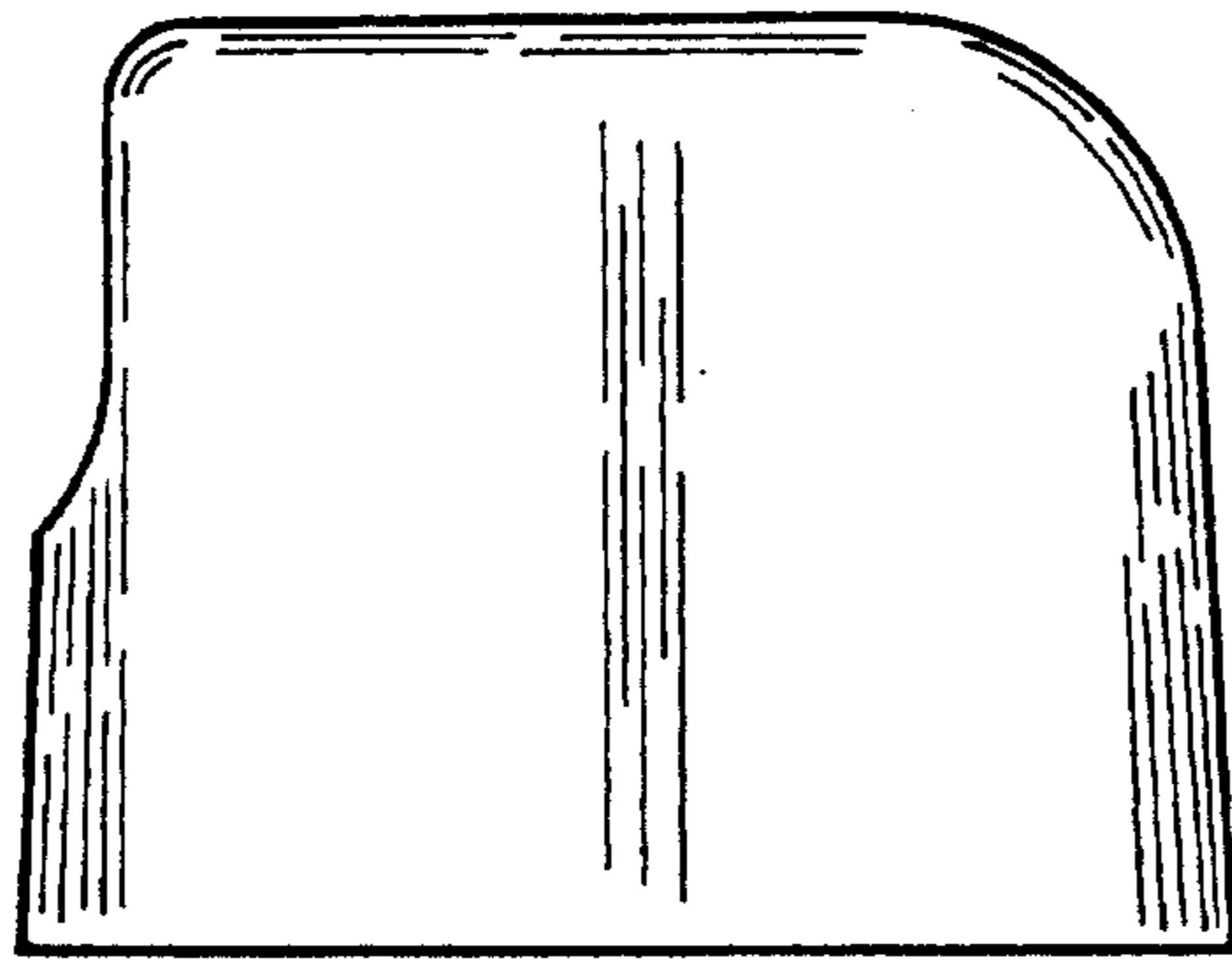


FIG. 7

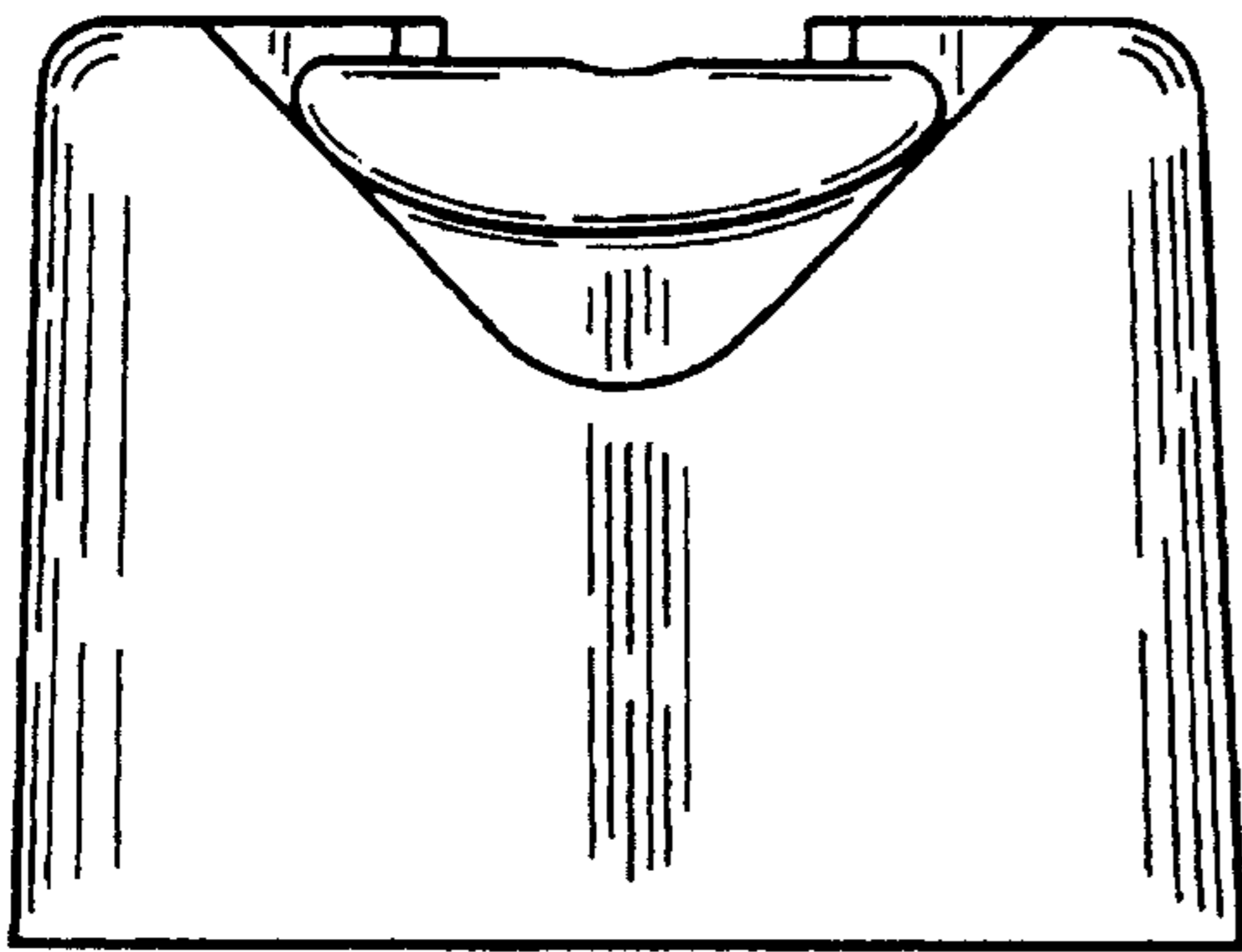


FIG. 8

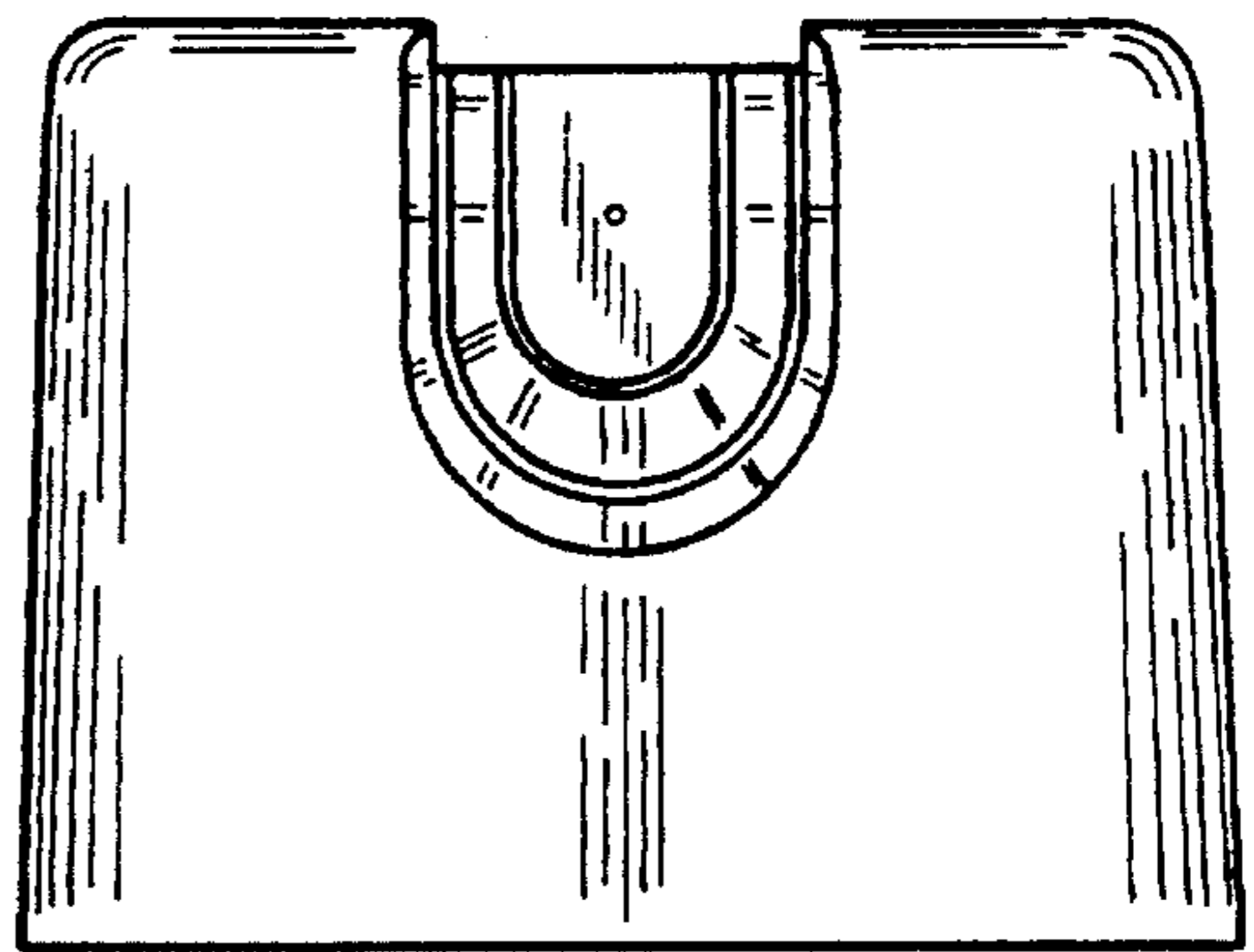


FIG. 9