



US00D373081S

United States Patent [19]

Bridger

[11] Patent Number: **Des. 373,081**

[45] Date of Patent: ****Aug. 27, 1996**

[54] **COMBINED PORTABLE FOOD AND
CONDIMENT CONTAINER**

[76] Inventor: **Gordon B. Bridger**, 3087 McFarland Rd., Lucas, Ohio 44843

[**] Term: **14 Years**

[21] Appl. No.: **31,578**

[22] Filed: **Nov. 16, 1994**

[52] U.S. Cl. **D9/430**

[58] Field of Search D7/602, 619; D9/418,
D9/424, 430-433; 206/557, 561, 565; 229/120.02,
120.38, 902, 904, 906

[56] References Cited

U.S. PATENT DOCUMENTS

D. 267,387	12/1982	Koch .	
D. 271,942	12/1983	Goldman	D9/424 X
D. 287,464	12/1986	Mode .	
D. 306,975	4/1990	Brondyke et al. .	
3,442,435	5/1969	Ludder et al.	299/904 X
4,126,261	11/1978	Cook	229/904 X
4,854,466	8/1989	Lane, Jr.	220/23.83
4,895,259	1/1990	Paley	229/904 X
4,955,528	9/1990	Shluckebier	229/902 X

Primary Examiner—Sandra L. Morris
Assistant Examiner—Nanda Bondade
Attorney, Agent, or Firm—Richard C. Litman

[57] CLAIM

The ornamental design for a combined portable food and condiment container, as shown and described.

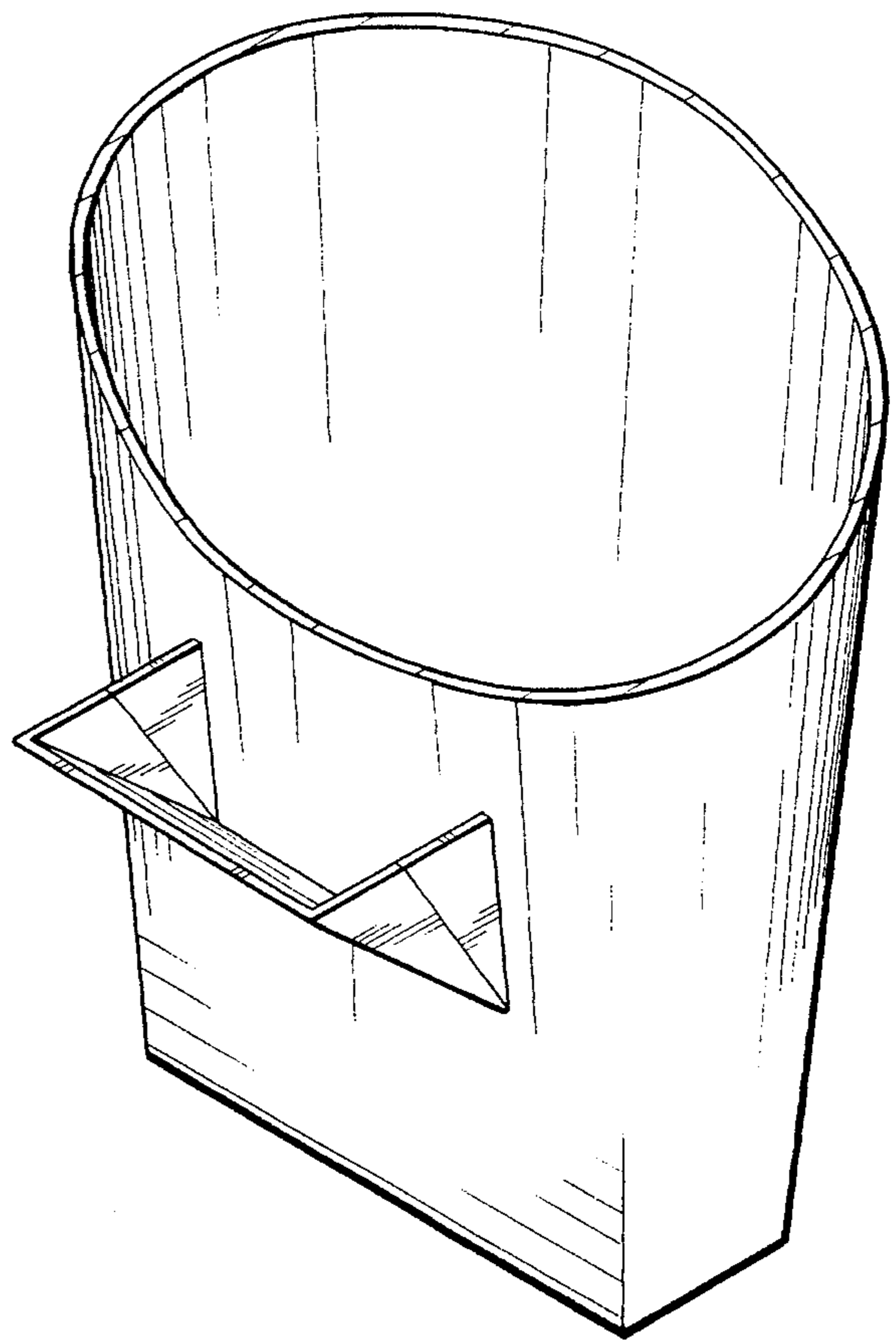
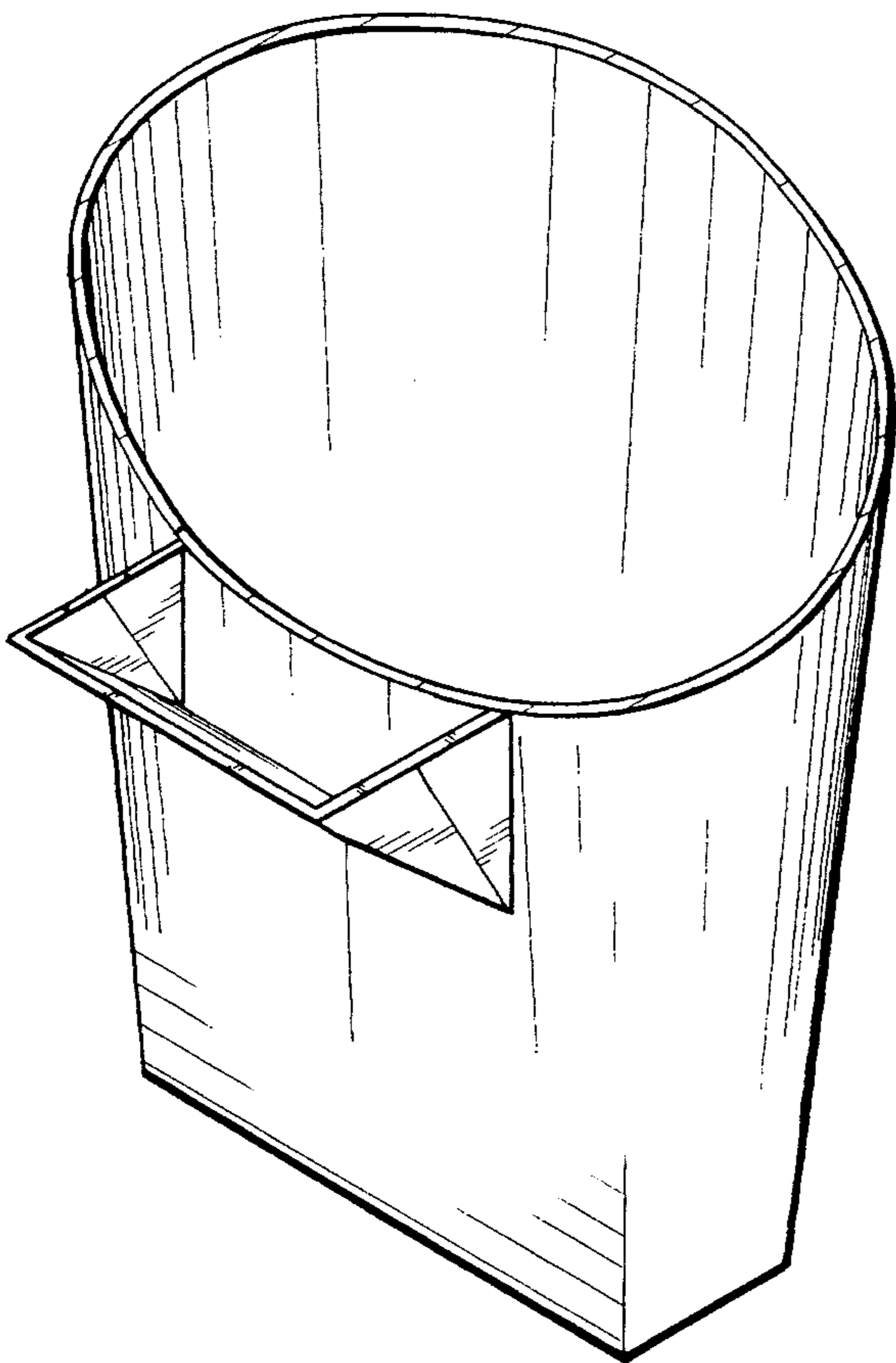
DESCRIPTION

FIG. 1 is a perspective view of a first embodiment of a combined portable food and condiment container showing my new design in an open position; FIG. 2 is a perspective view thereof in a closed position; FIG. 3 is a top plan view; in the open position; FIG. 4 is a front elevational view thereof; FIG. 5 is a right side elevational view with the left side being a mirror image thereof; FIG. 6 is a bottom plan view thereof; and, FIG. 7 is a perspective view of a second embodiment of FIG. 1 in the open position.

The undisclosed rear view of the first embodiment if unornamented.

The undisclosed views of the second embodiment are the same as the views of the first embodiment with the exception of the location of the condiment container.

1 Claim, 5 Drawing Sheets



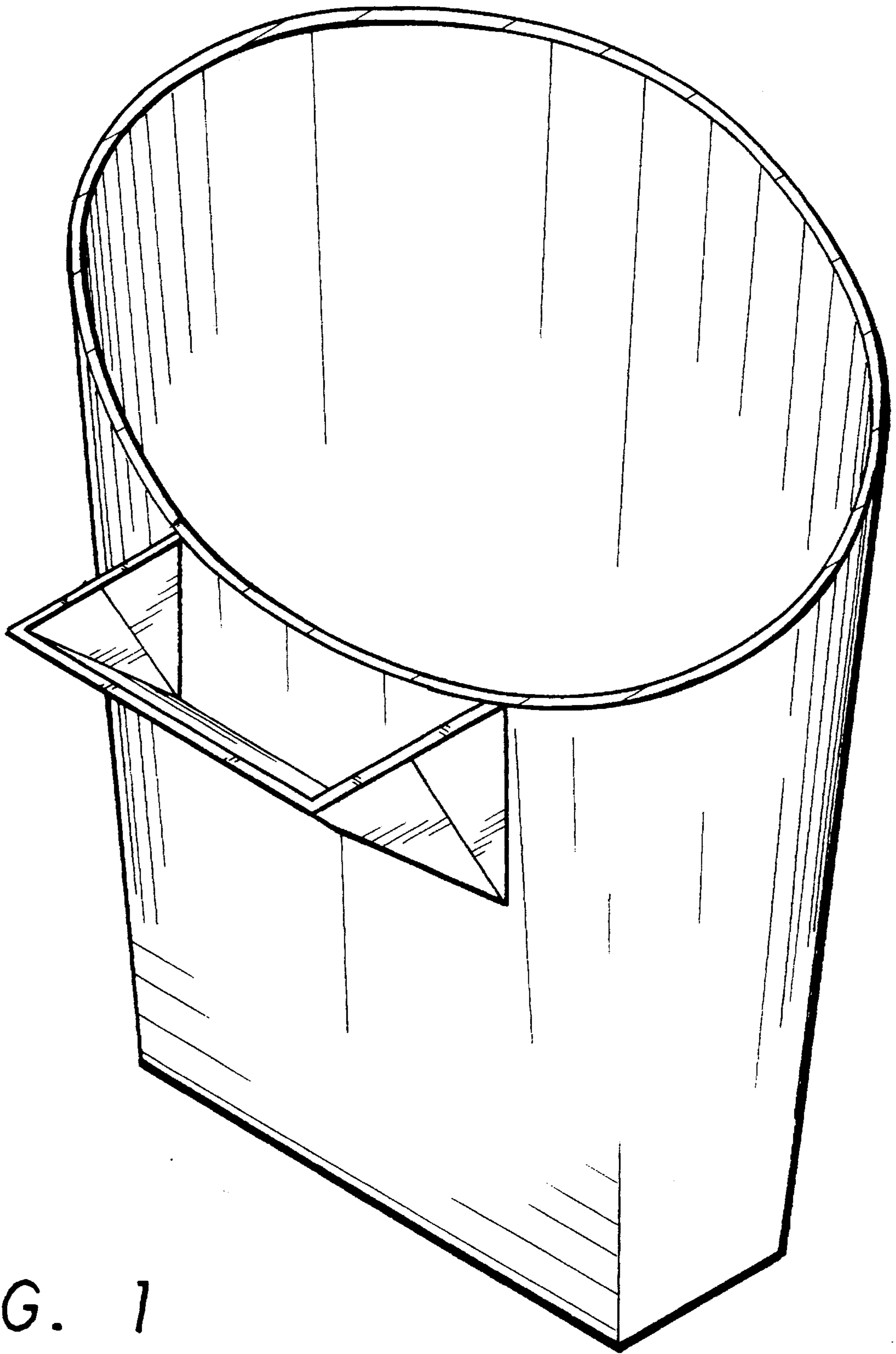


FIG. 1

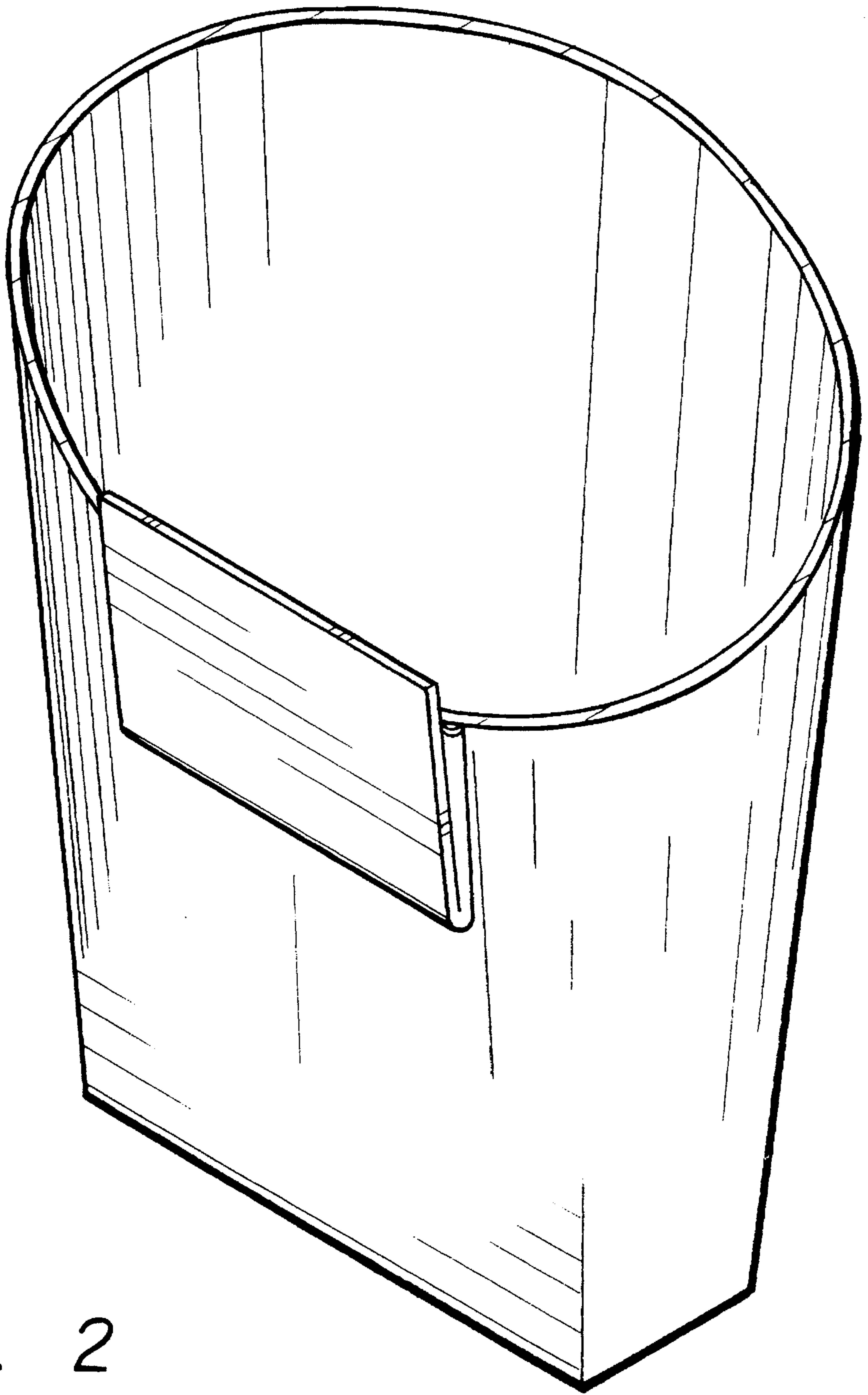


FIG. 2

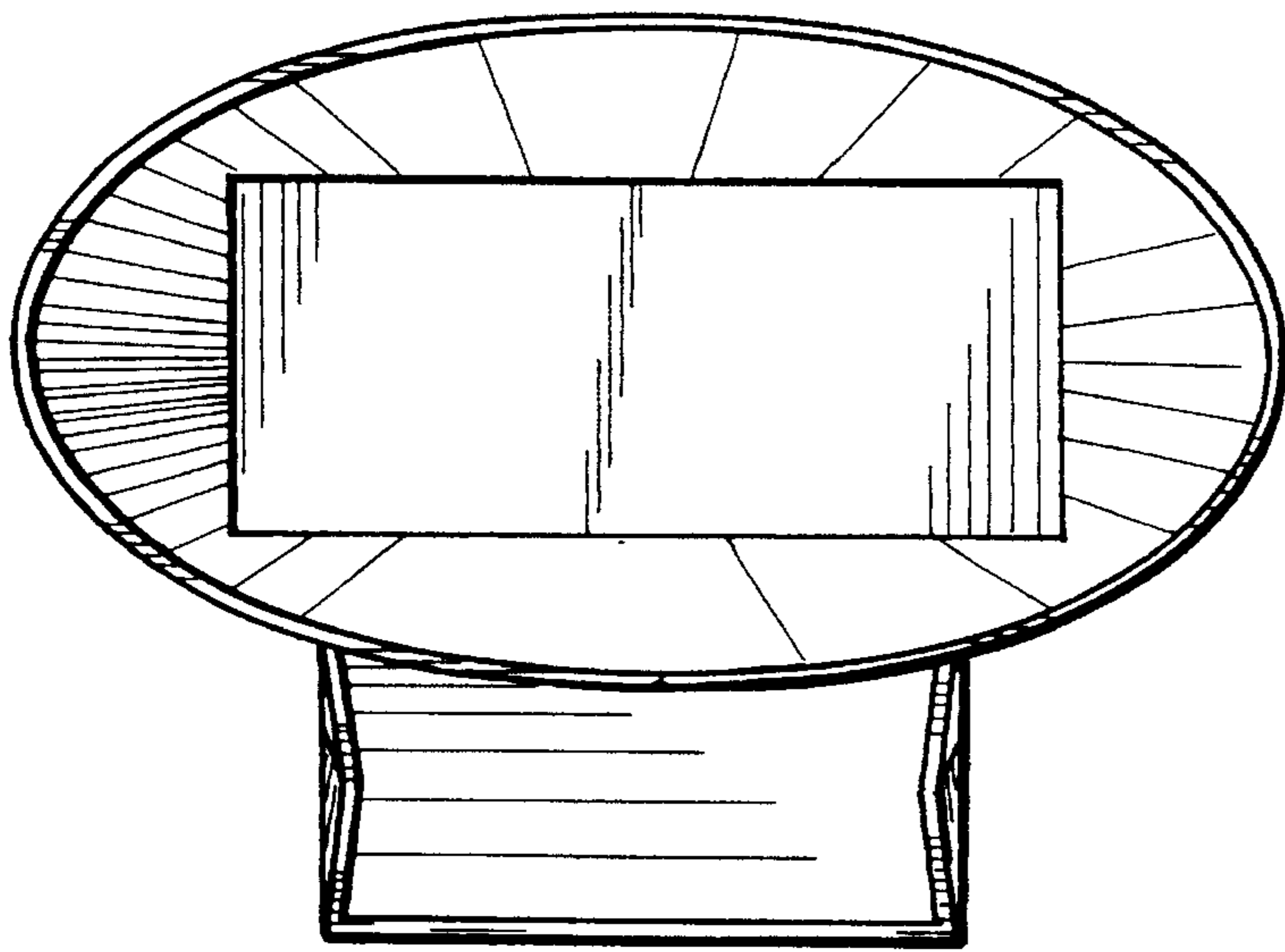


FIG. 3

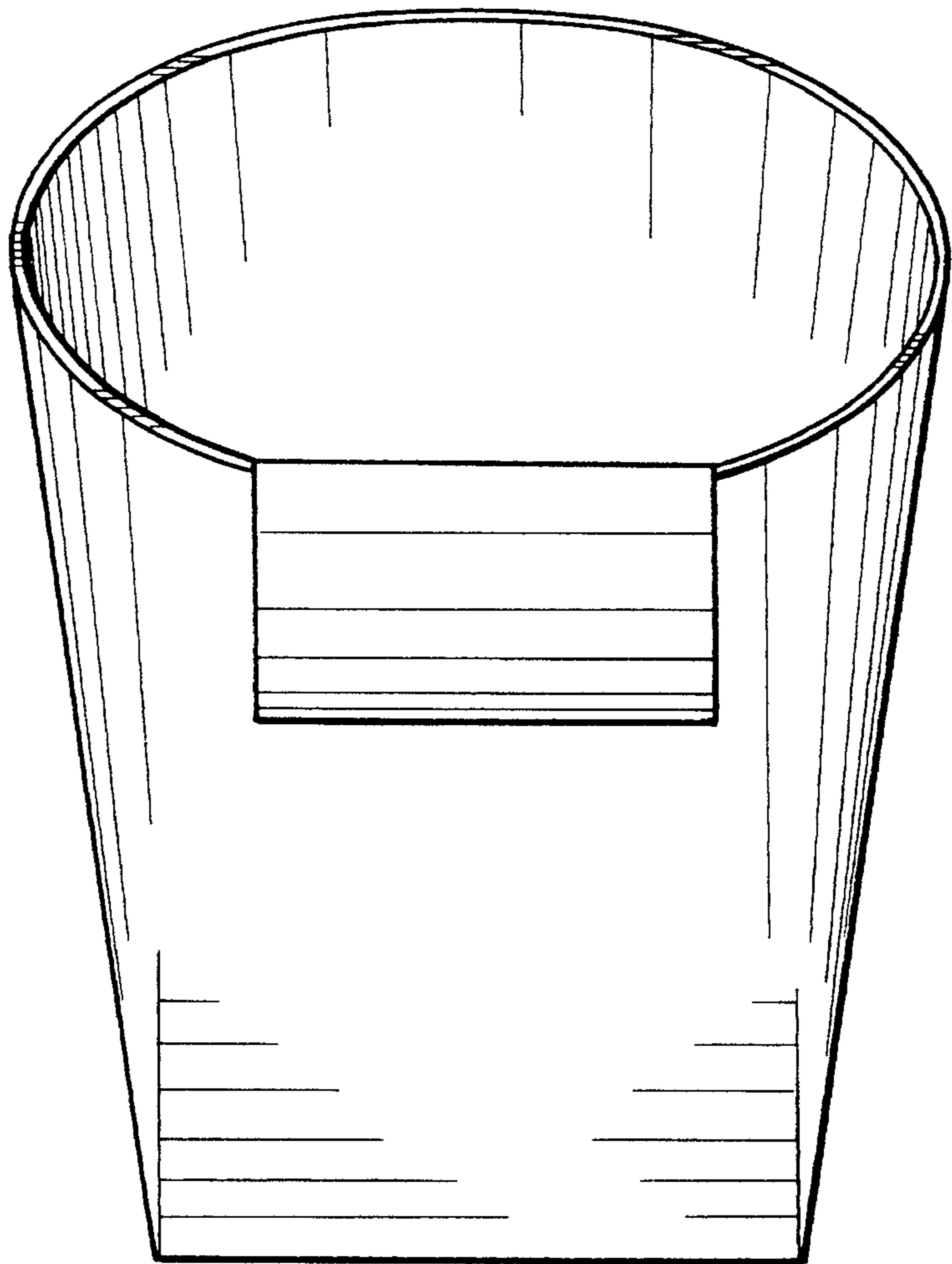


FIG. 4

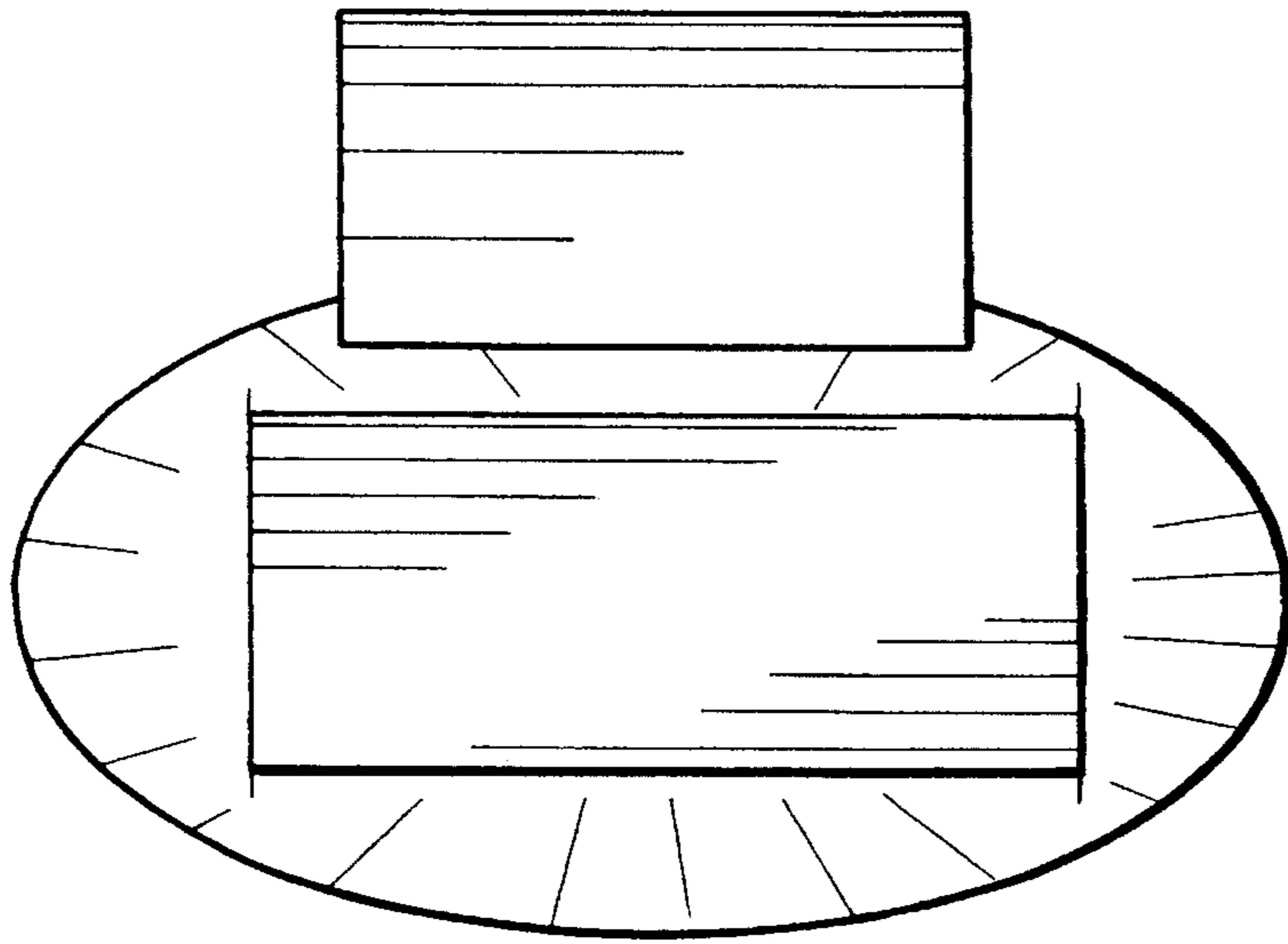


FIG. 6

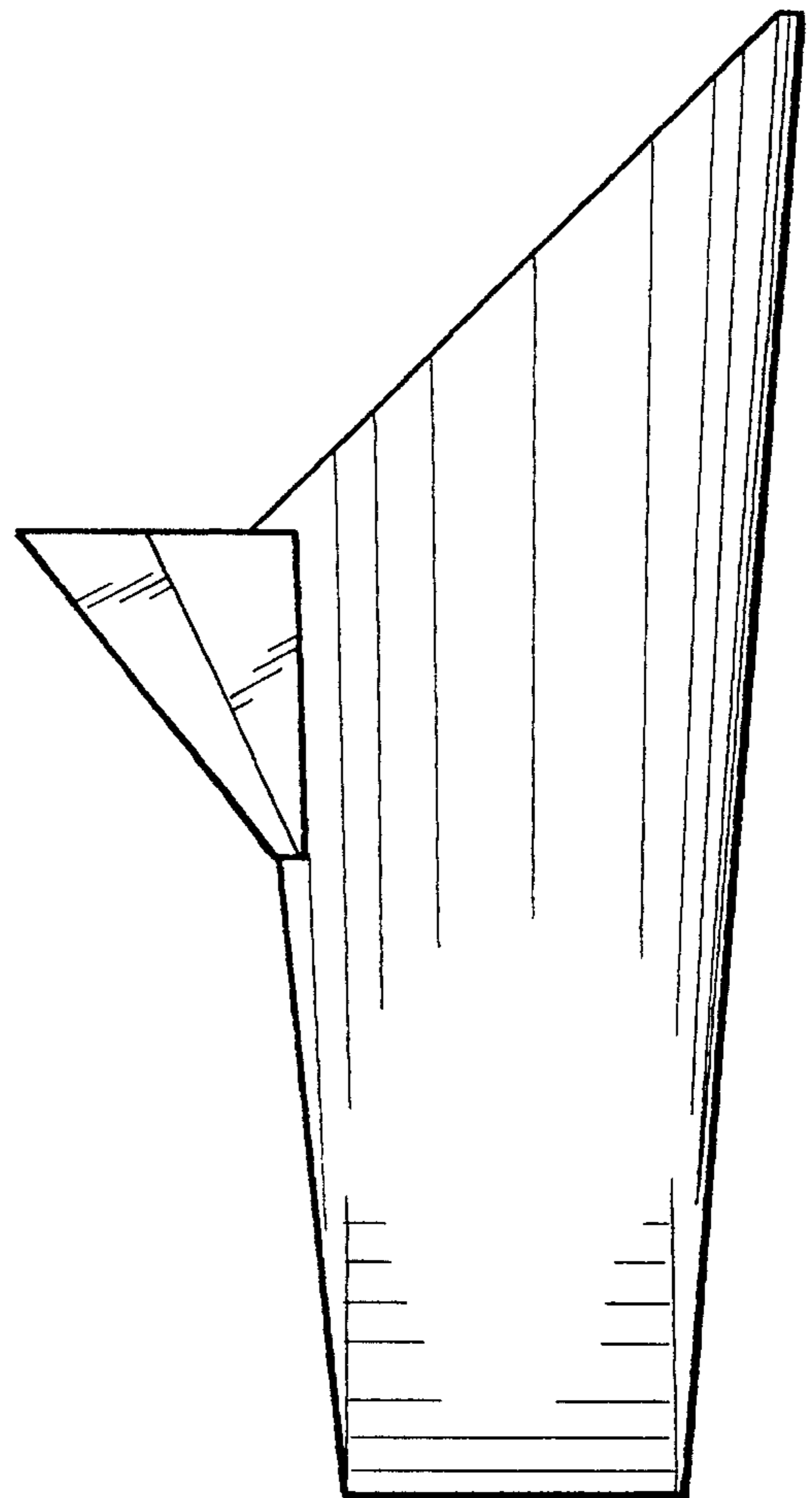


FIG. 5

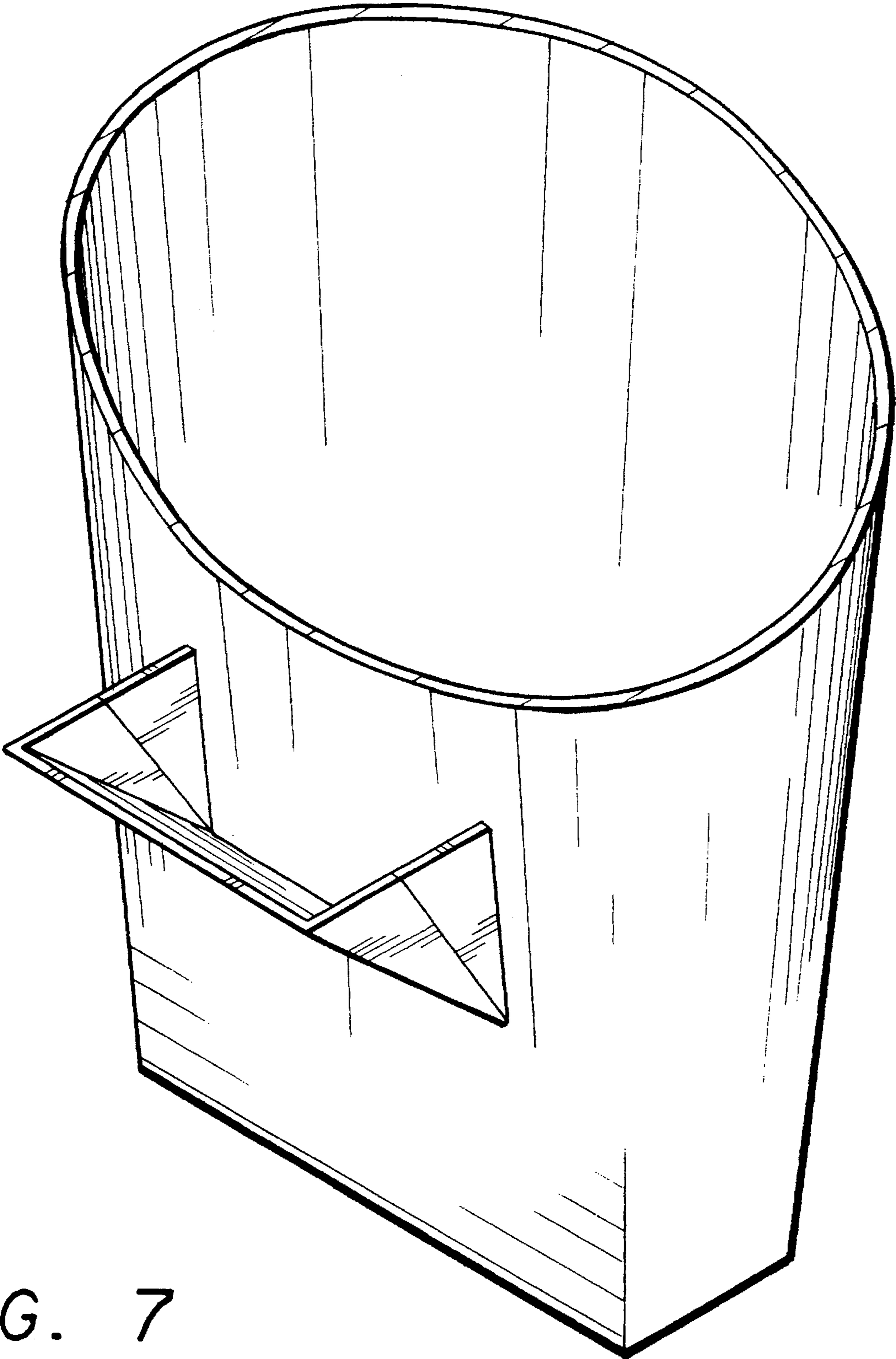


FIG. 7