



US00D373078S

United States Patent [19] Cheng

[11] Patent Number: **Des. 373,078**

[45] Date of Patent: ****Aug. 27, 1996**

[54] **HAT GIFT BOX**

[76] Inventor: **Kui-Eng Cheng**, 99 Glencairn Street,
Toronto, Ontario, Canada, M4R 1M7

[**] Term: **14 Years**

[21] Appl. No.: **33,822**

[22] Filed: **Jan. 20, 1995**

[52] U.S. Cl. **D9/320; D2/869**

[58] Field of Search **D9/320, 307; D2/865,
D2/868, 869, 885, 886, 887, 895; 206/457,
8; 2/175.8**

[56] **References Cited**

U.S. PATENT DOCUMENTS

| | | | | |
|------------|---------|---------------|-------|----------|
| D. 18,839 | 1/1889 | Bowers | | D9/320 |
| D. 24,032 | 2/1895 | Tolman | | D9/320 |
| D. 48,440 | 1/1916 | Galitzki, Jr. | | D2/886 |
| D. 233,642 | 11/1974 | Arnold | | D9/320 X |
| 1,139,418 | 5/1915 | Hiller | | D2/868 X |
| 1,491,258 | 4/1924 | Gluckin | | D2/895 X |
| 2,048,425 | 7/1936 | Caplain | | 2/175.3 |
| 3,402,807 | 9/1968 | Hatcher, Jr. | | 206/8 |

Primary Examiner—Prabhakar G. Deshmukh
Assistant Examiner—Cheri Cohen

Attorney, Agent, or Firm—Kirschstein et al.

[57] **CLAIM**

The ornamental design for a hat gift box, as shown and described.

DESCRIPTION

FIG. 1 is a perspective, front and right side view of one embodiment of a hat gift box showing my new design; FIG. 2 is a top plan view thereof; FIG. 3 is a front elevational view thereof, the rear view being a mirror image; FIG. 4 is a left side elevational view thereof; FIG. 5 is an exploded, perspective view thereof showing the interior of the gift box; FIG. 6 is a perspective, front and right side view of a second embodiment of a hat gift box showing my new design; FIG. 7 is a top plan view thereof; FIG. 8 is a front elevational view thereof, the rear view being a mirror image; FIG. 9 is a left side elevational view thereof; and, FIG. 10 is an exploded, perspective view thereof showing the interior of the gift box. The bottom plan view of each embodiment is plain and unornamented.

1 Claim, 4 Drawing Sheets

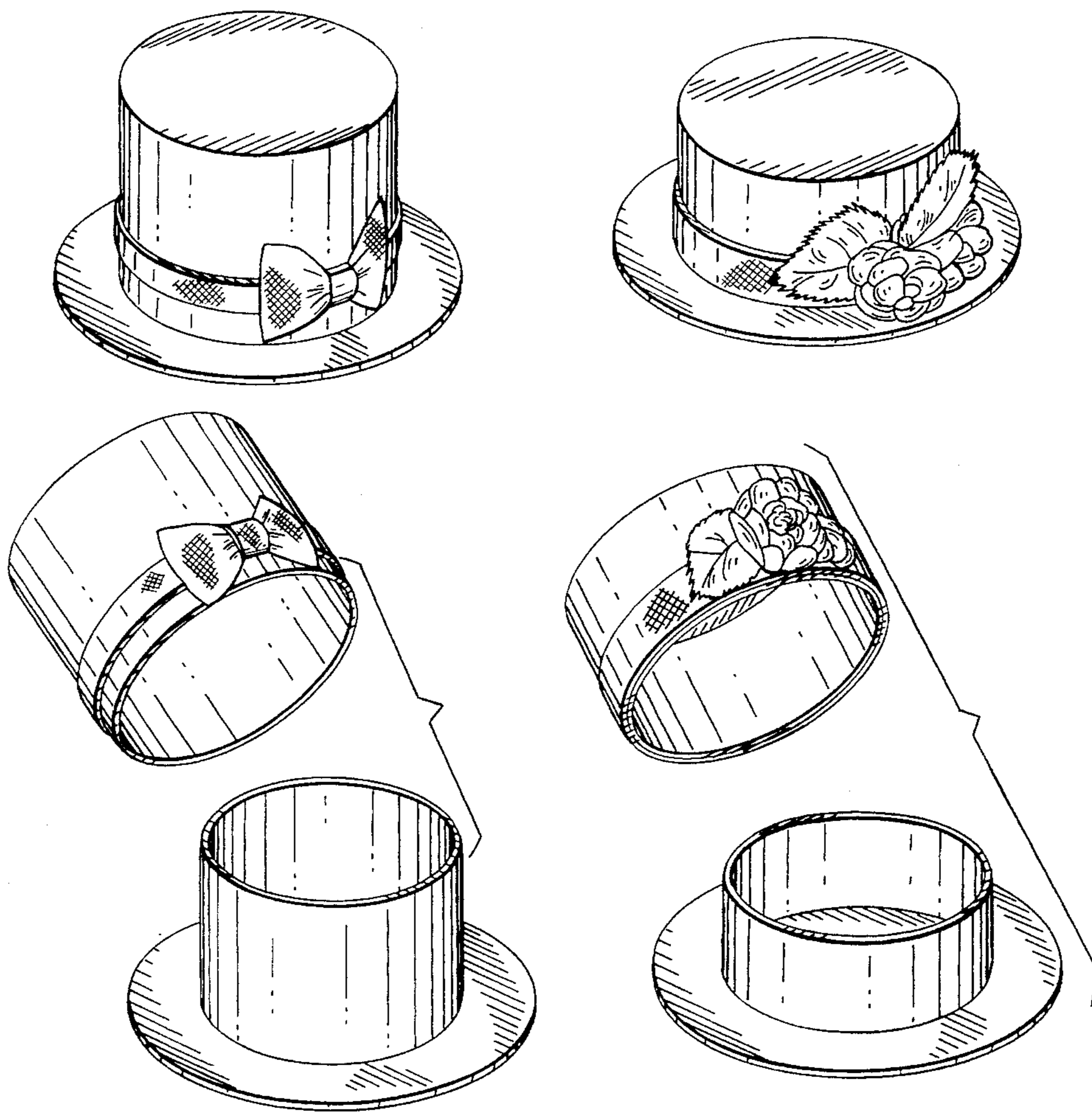


FIG. 1

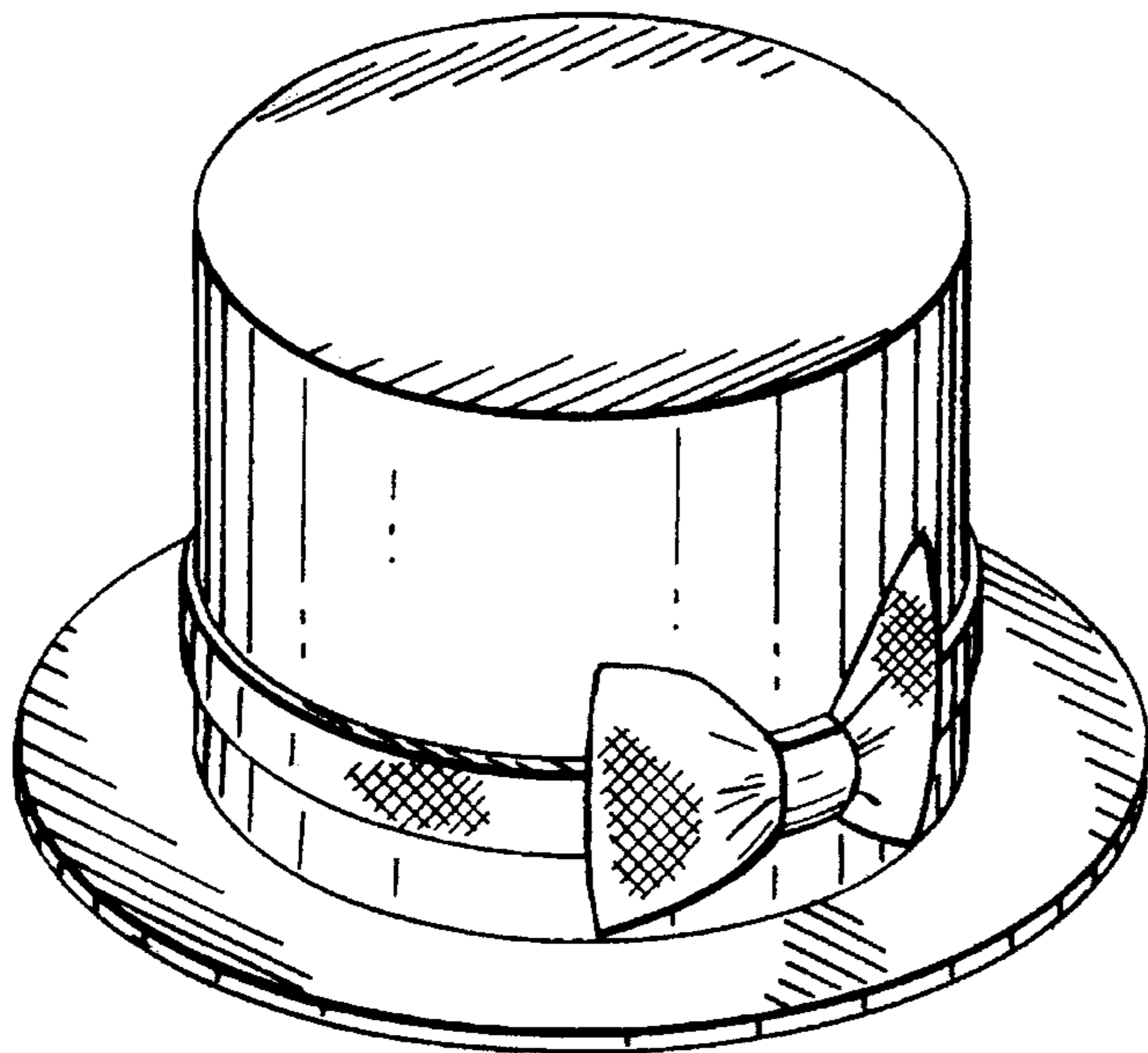


FIG. 2

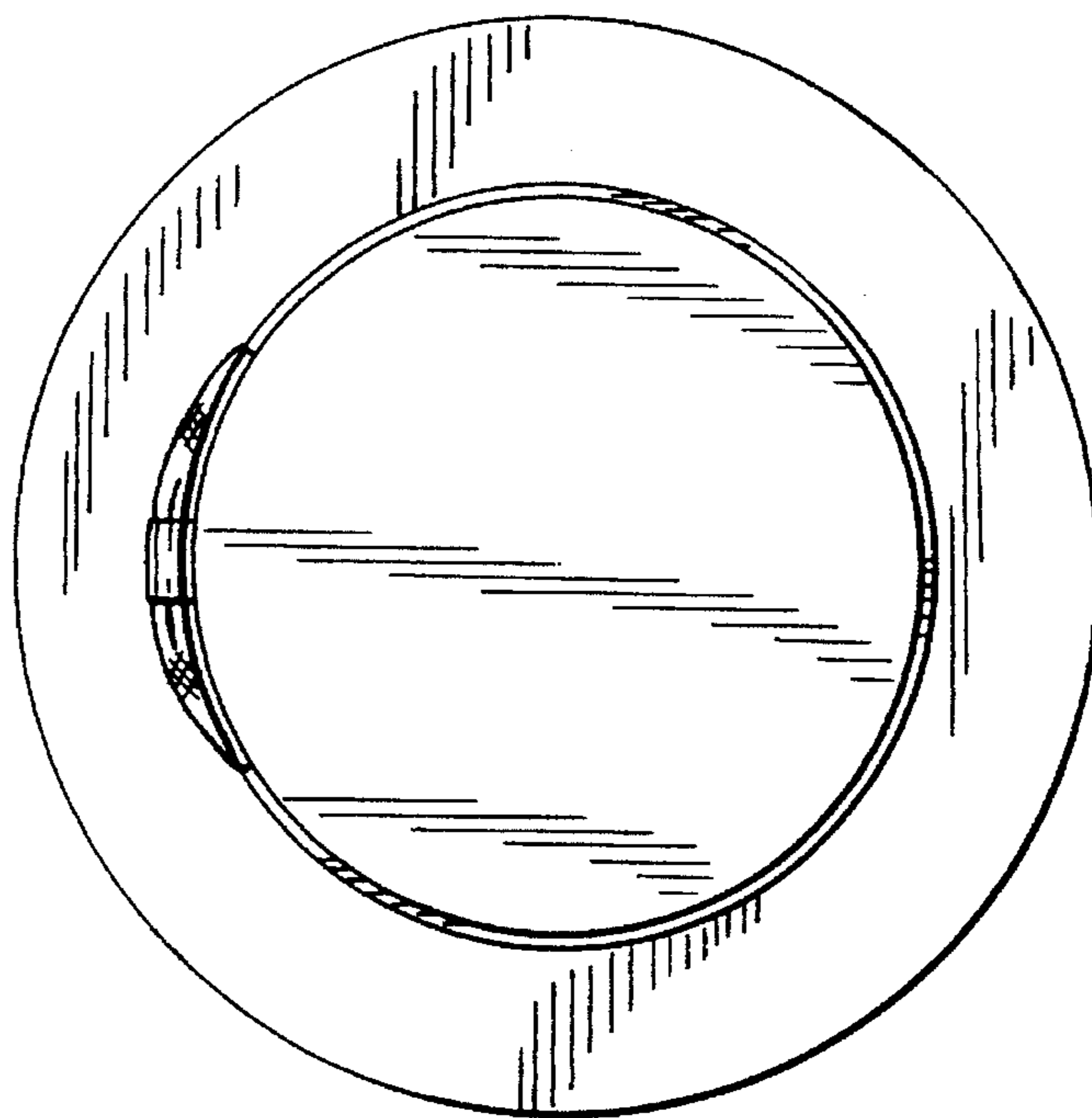


FIG. 3

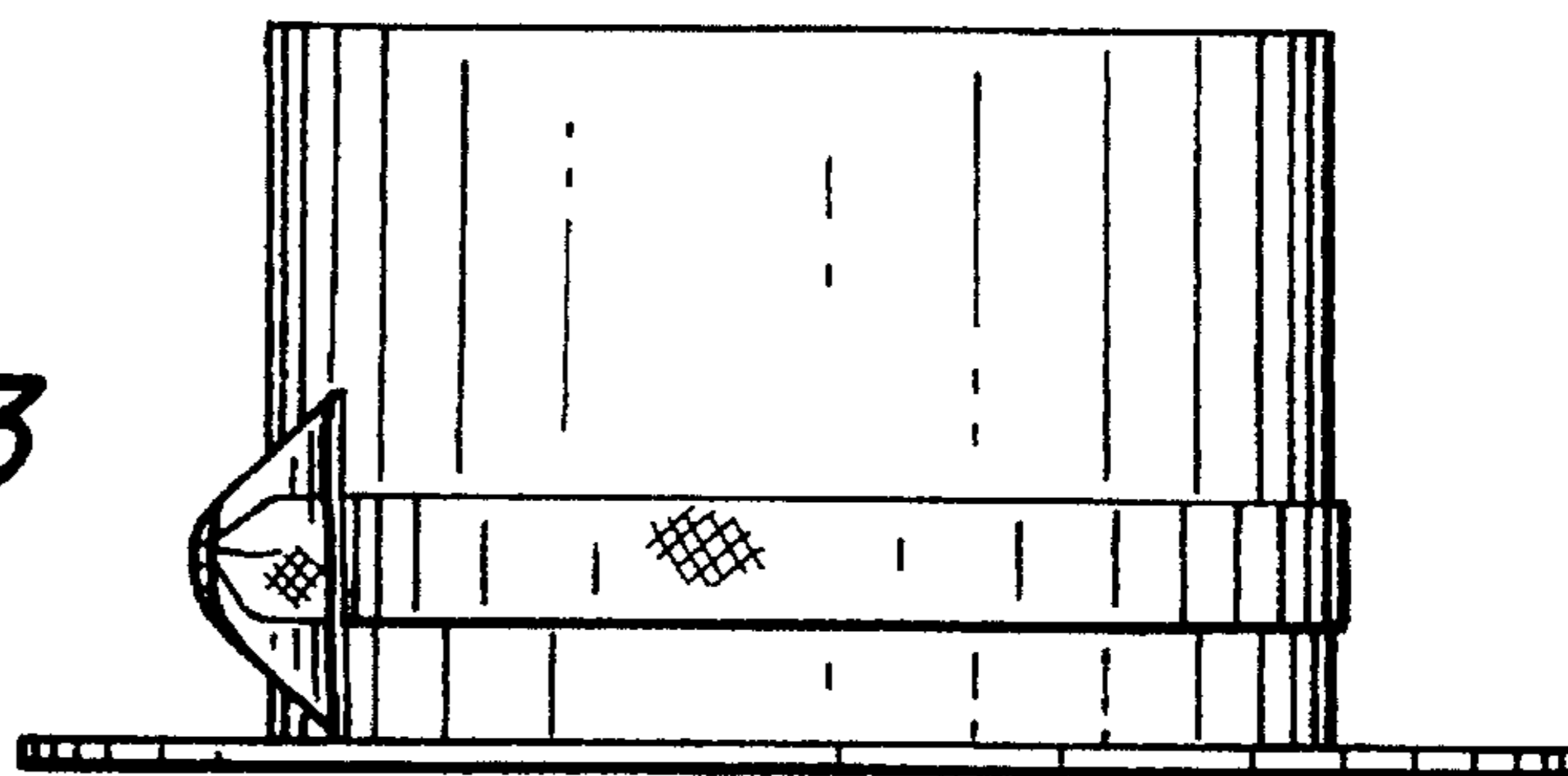


FIG. 4

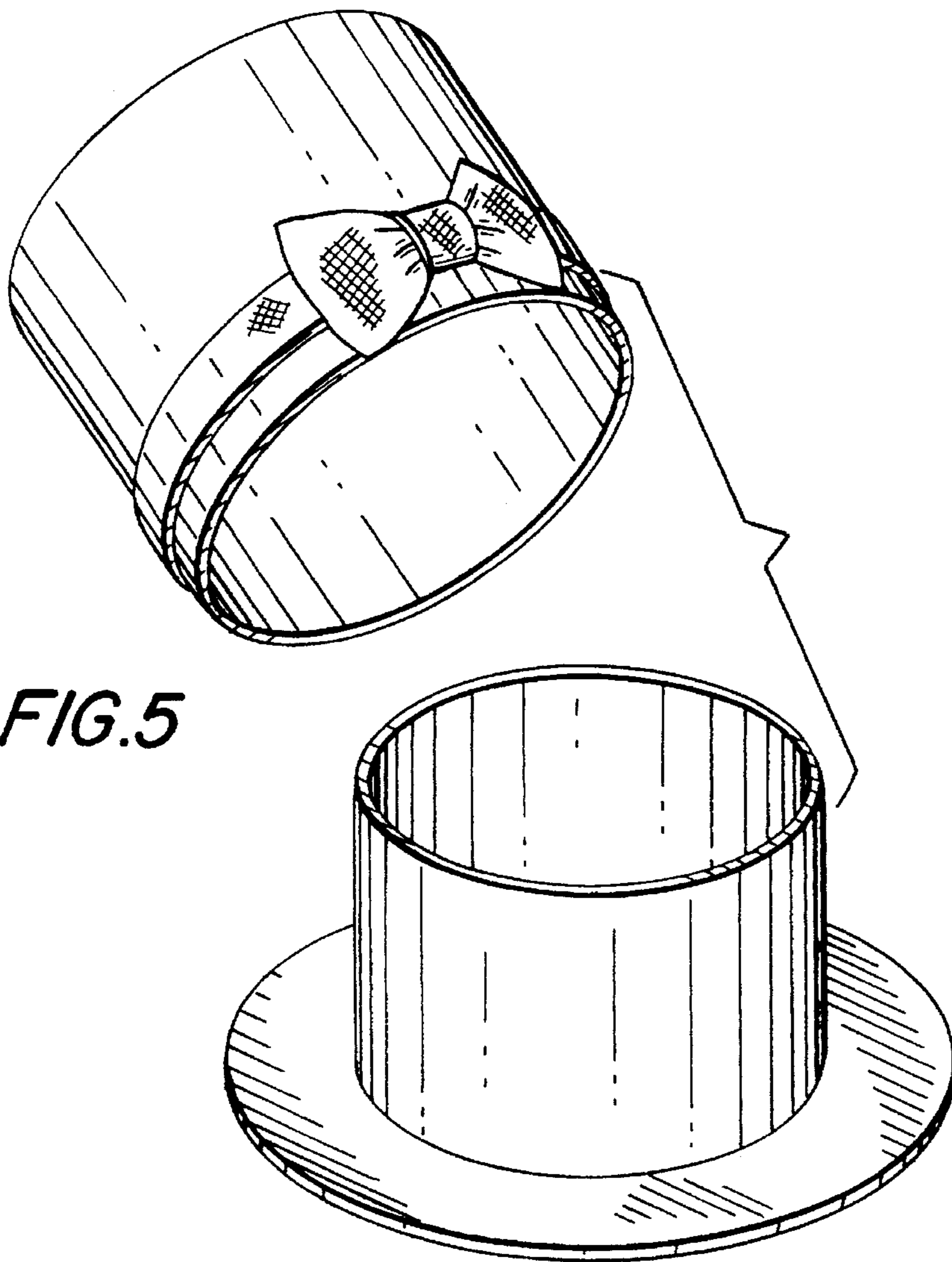
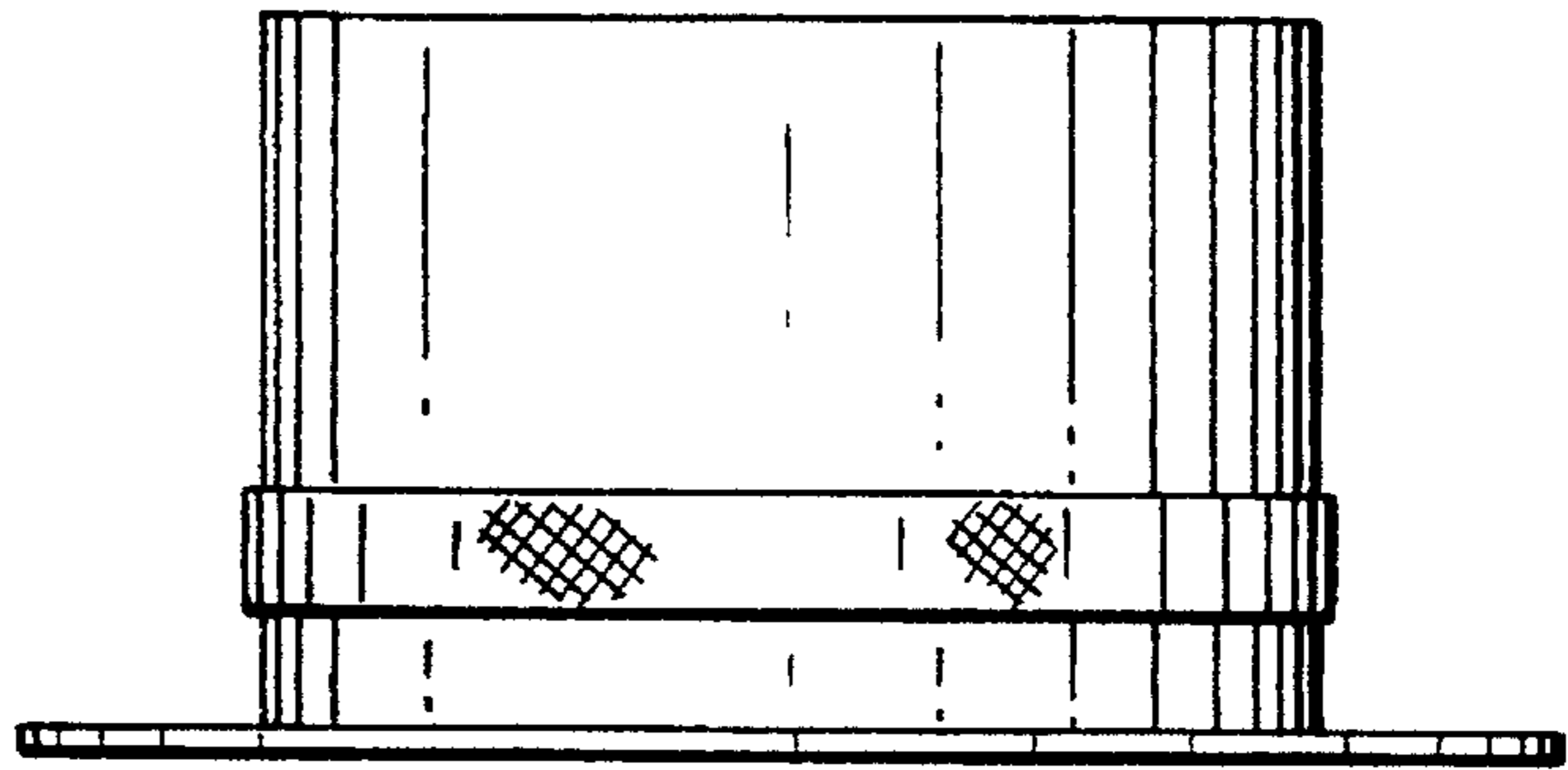


FIG. 5

FIG. 6

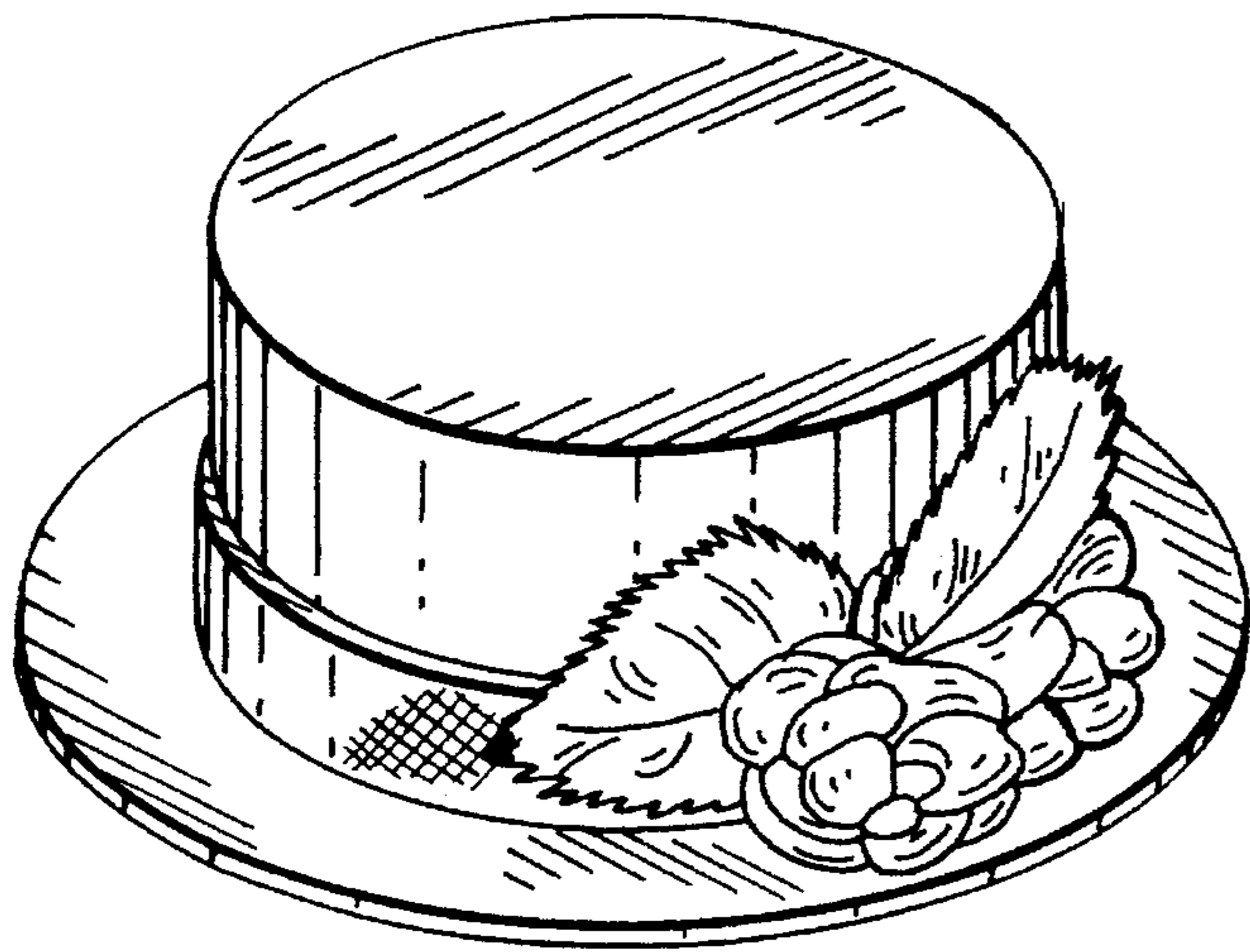


FIG. 7

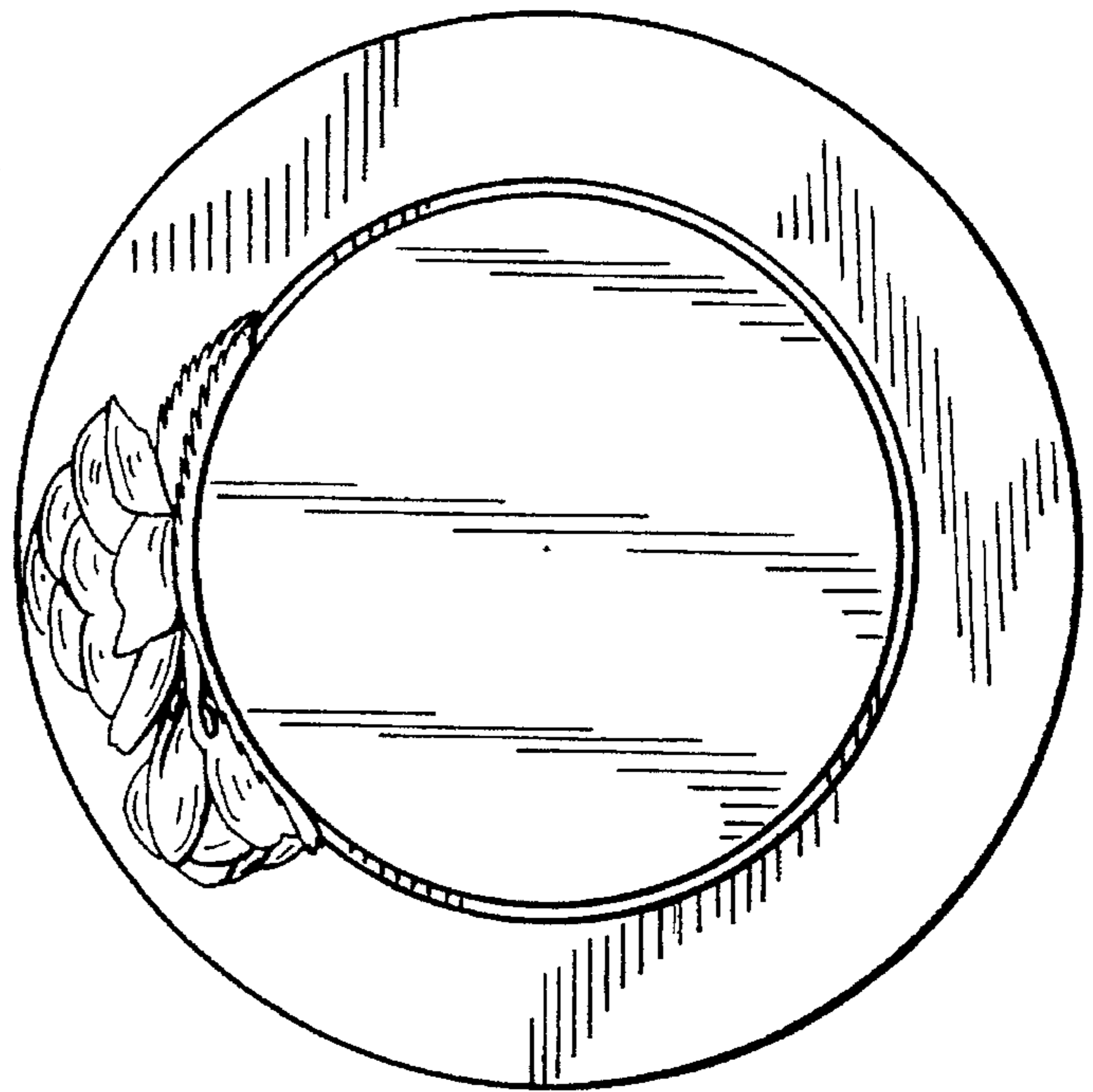


FIG. 8

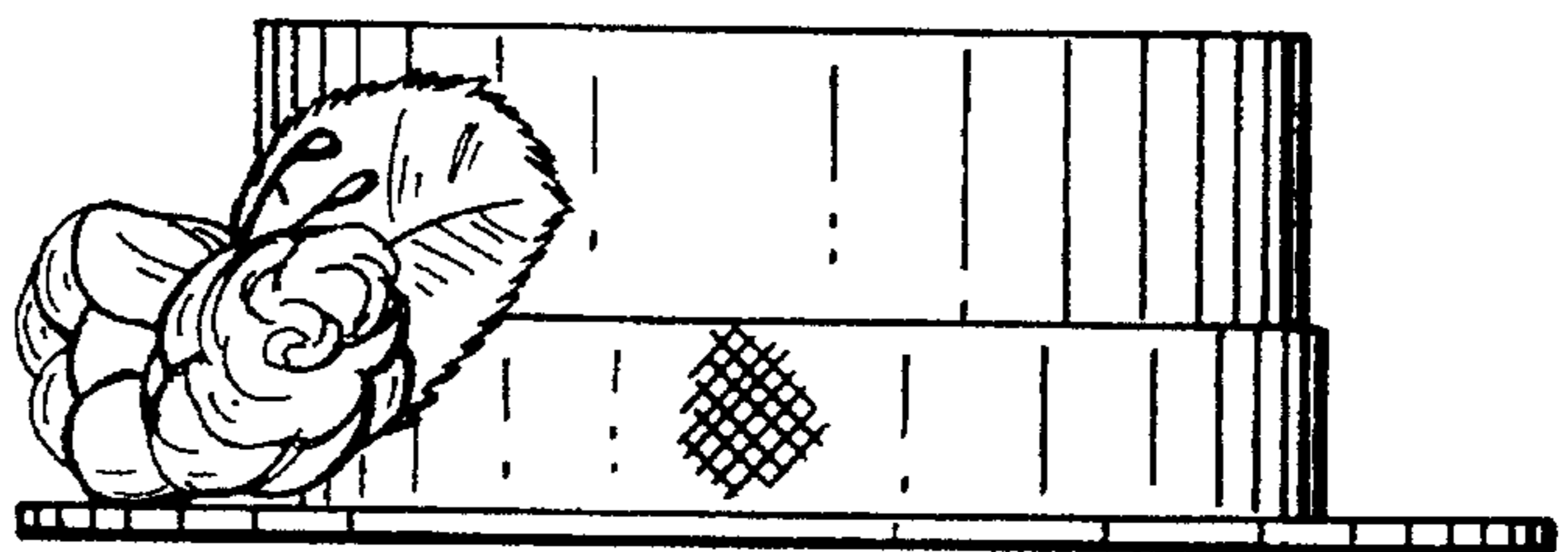


FIG.9

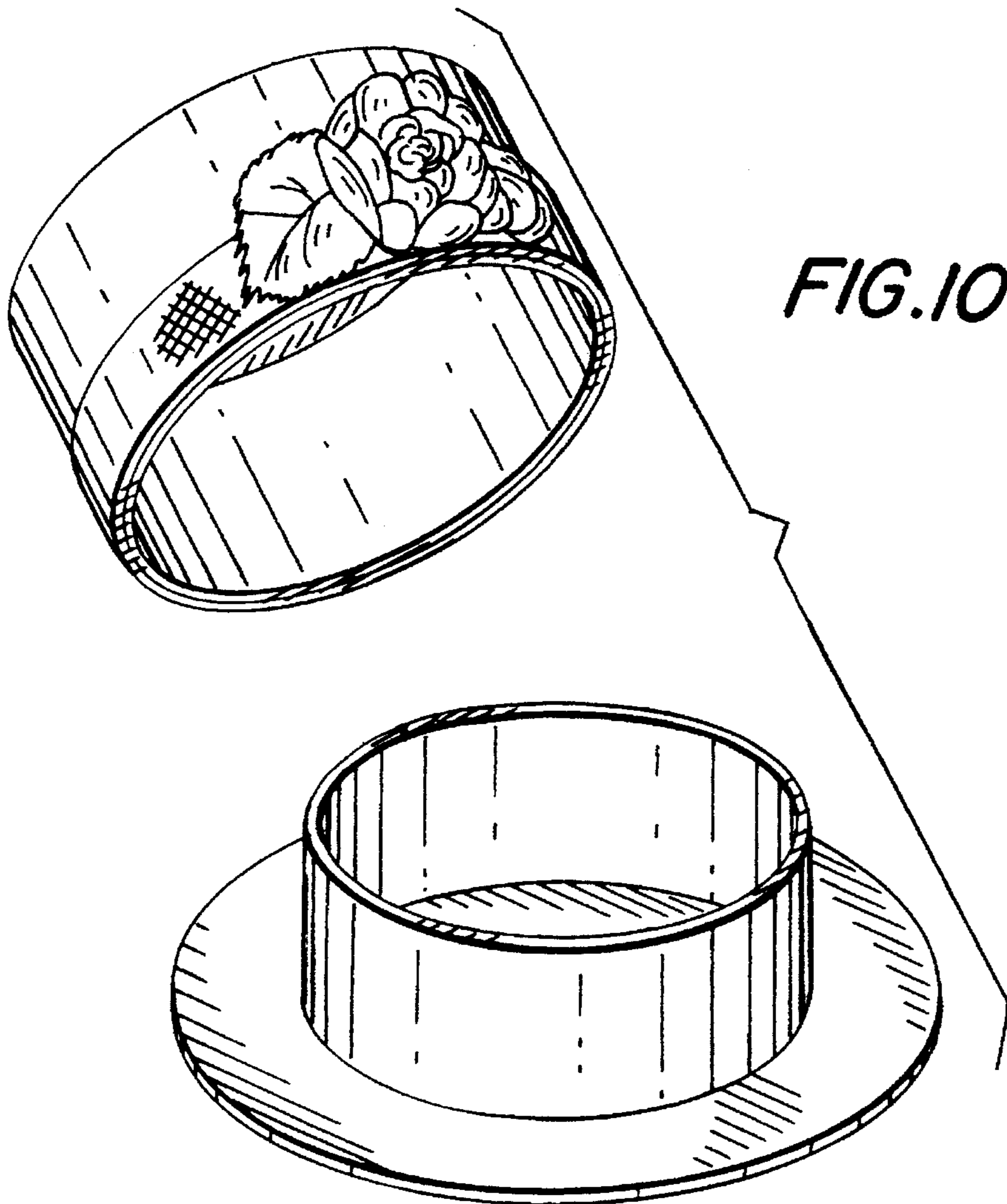
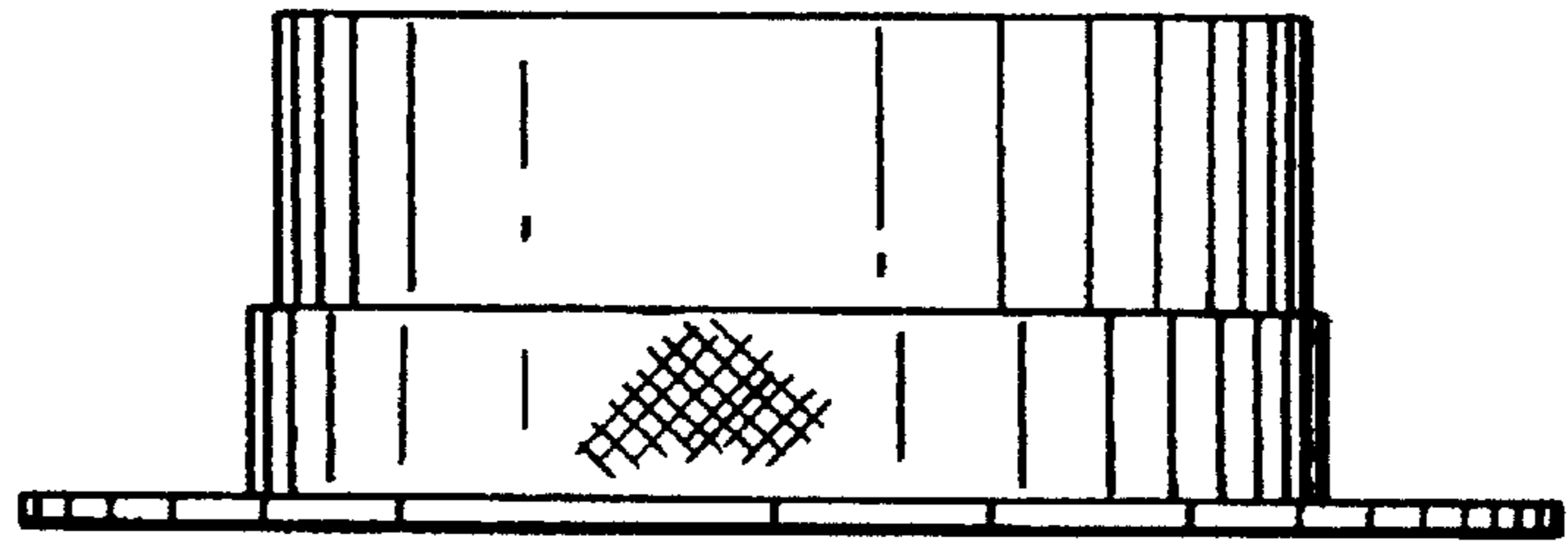


FIG.10