



US00D373077S

United States Patent [19]

[11] Patent Number: **Des. 373,077**

Dudley et al.

[45] Date of Patent: ****Aug. 27, 1996**

[54] **RATCHET LINK**

[75] Inventors: **James P. Dudley**, Sacramento; **Kyle D. Fields**, El Dorado Hills, both of Calif.

[73] Assignee: **OP-D-OP, Inc.**, Roseville, Calif.

[**] Term: **14 Years**

[21] Appl. No.: **27,541**

[22] Filed: **Aug. 24, 1994**

[52] U.S. Cl. **D8/499**

[58] Field of Search D8/499, 323; D11/12, D11/86, 93; D21/104, 107, 108; 59/82, 84, 85; 446/104, 124, 125, 127, 128; 403/103, 104, 106, 107; 16/225, 354, 355, 253, 266, 268, 269, DIG. 29; 474/206, 207, 211-213, 232; 198/853

4,506,408	3/1985	Brown	16/225
4,548,590	10/1985	Green	446/120
4,617,001	10/1986	Parein	446/102
4,665,585	5/1987	Westin	16/266 X
4,776,454	10/1988	Momose	59/85 X
4,842,321	6/1989	Baumert et al.	.
5,049,104	9/1991	Olsen	446/104
5,172,534	12/1992	Milner et al.	52/593
5,209,693	5/1993	Lyman	446/104

FOREIGN PATENT DOCUMENTS

136402	1/1948	Australia	160/235
--------	--------	-----------	---------

Primary Examiner—Ted Shooman

Assistant Examiner—C. Tuttle

Attorney, Agent, or Firm—John P. O'Banion

[57] CLAIM

The ornamental design for a ratchet link, as shown and described.

DESCRIPTION

FIG. 1 is a top front perspective view of a ratchet link showing our new design;

FIG. 2 is a left side elevational view thereof, the side opposite being a mirror image of the side shown;

FIG. 3 is a top plan view thereof;

FIG. 4 is a bottom plan view thereof;

FIG. 5 is a front elevational view thereof; and,

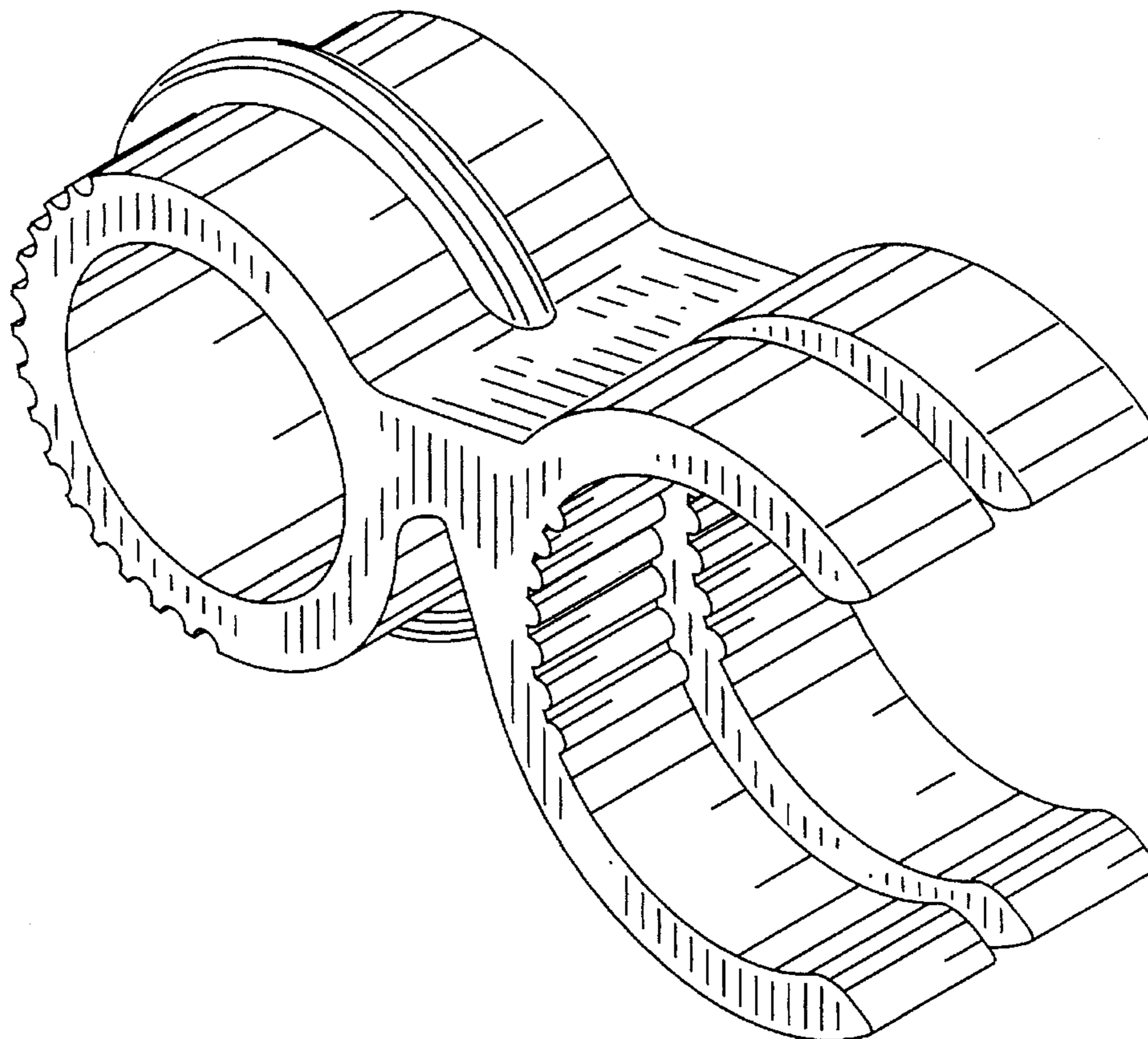
FIG. 6 is a rear elevational view thereof.

1 Claim, 2 Drawing Sheets

[56] References Cited

U.S. PATENT DOCUMENTS

188,113	3/1877	Ewart	474/213 X
D. 243,665	3/1977	Laurent	D11/12
D. 263,211	3/1982	Brooks et al.	D8/499
324,587	8/1885	Powell	474/213
1,678,709	7/1928	Schurmann	.
2,388,297	11/1945	Slaughter	.
3,000,049	9/1961	Terry, Jr.	.
3,118,167	1/1964	Morris et al.	.
3,768,631	10/1973	Wahren	474/211 X
4,004,682	1/1977	Sculer	198/853 X



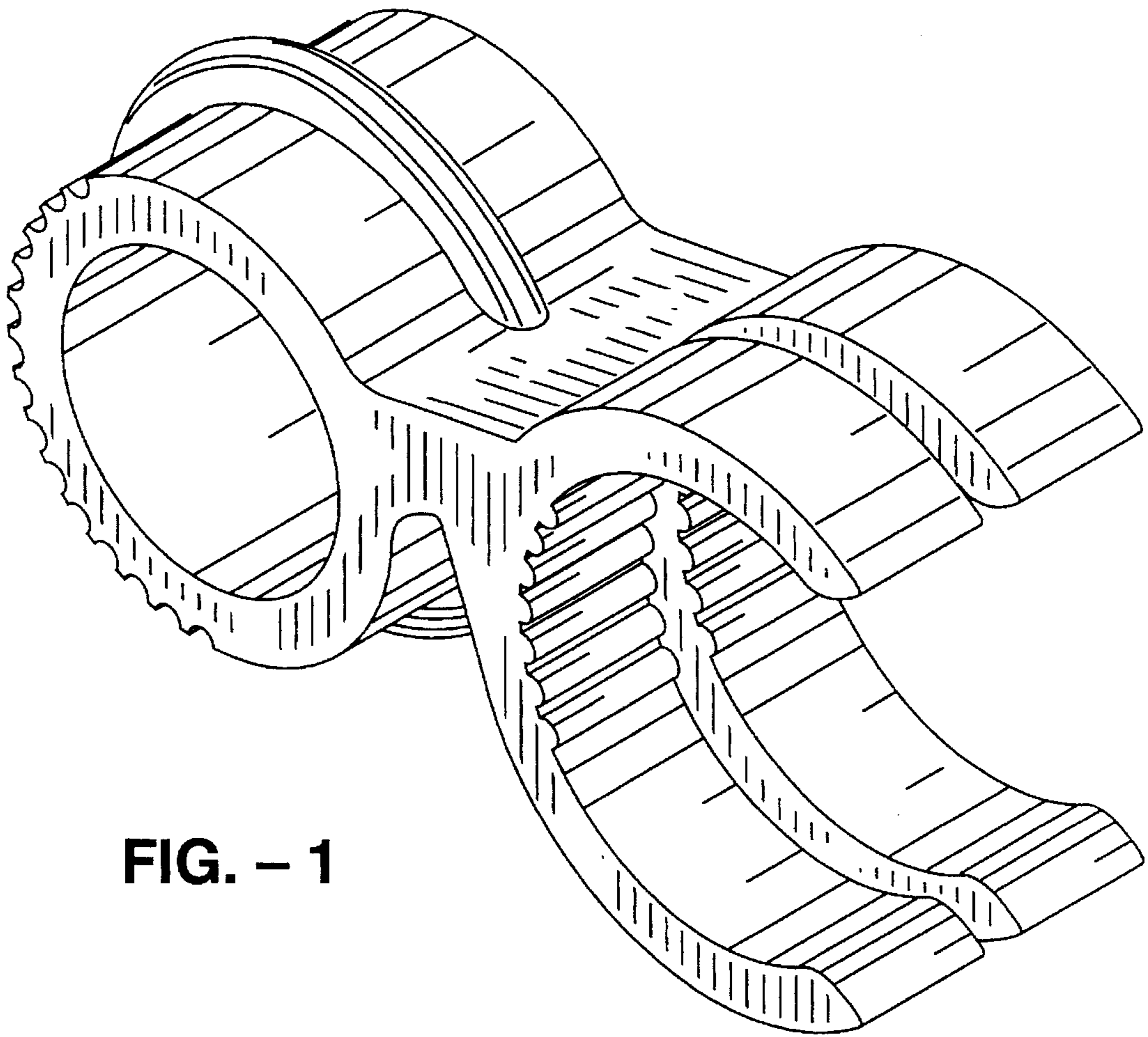


FIG. - 1

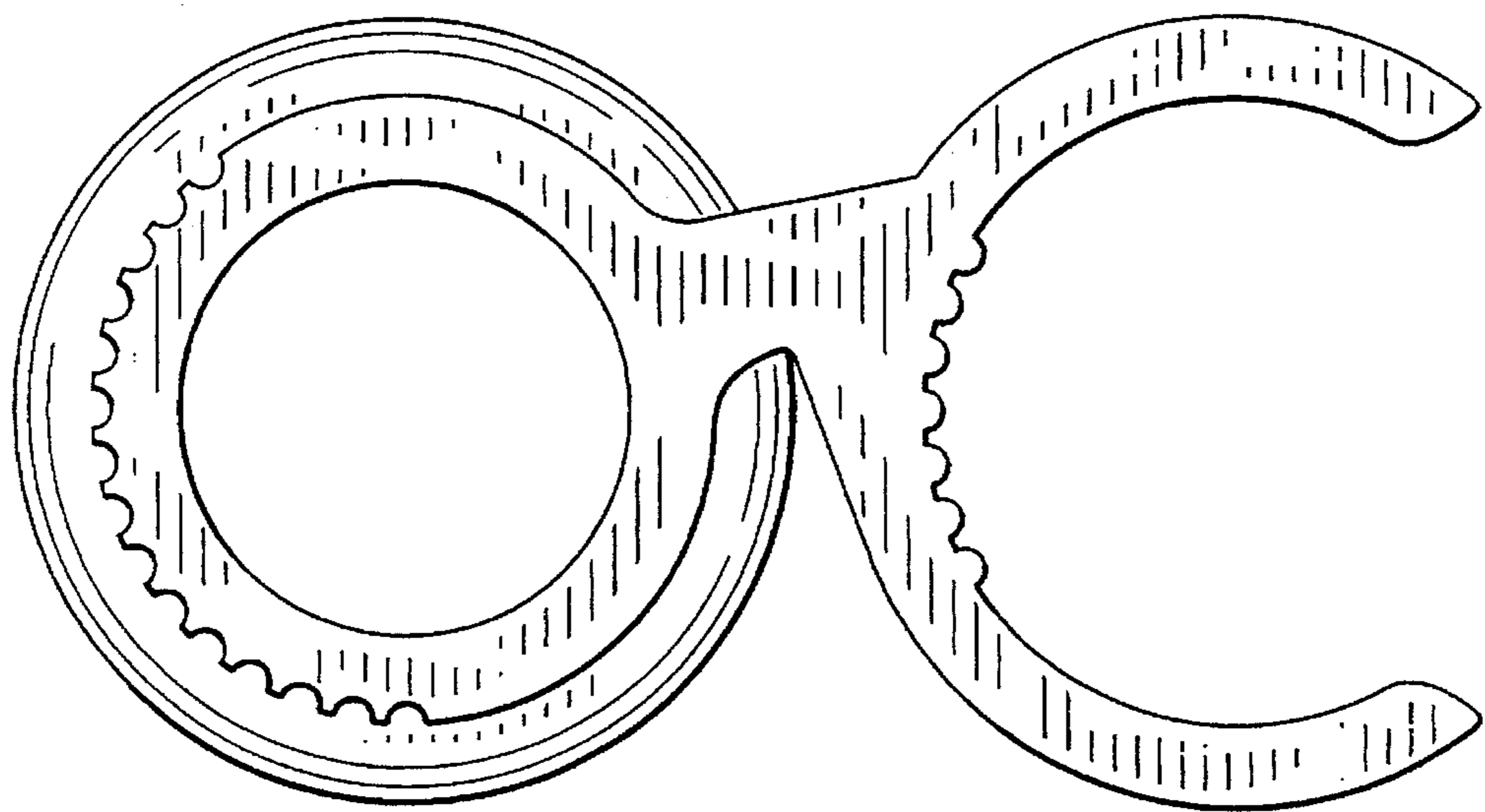


FIG. - 2

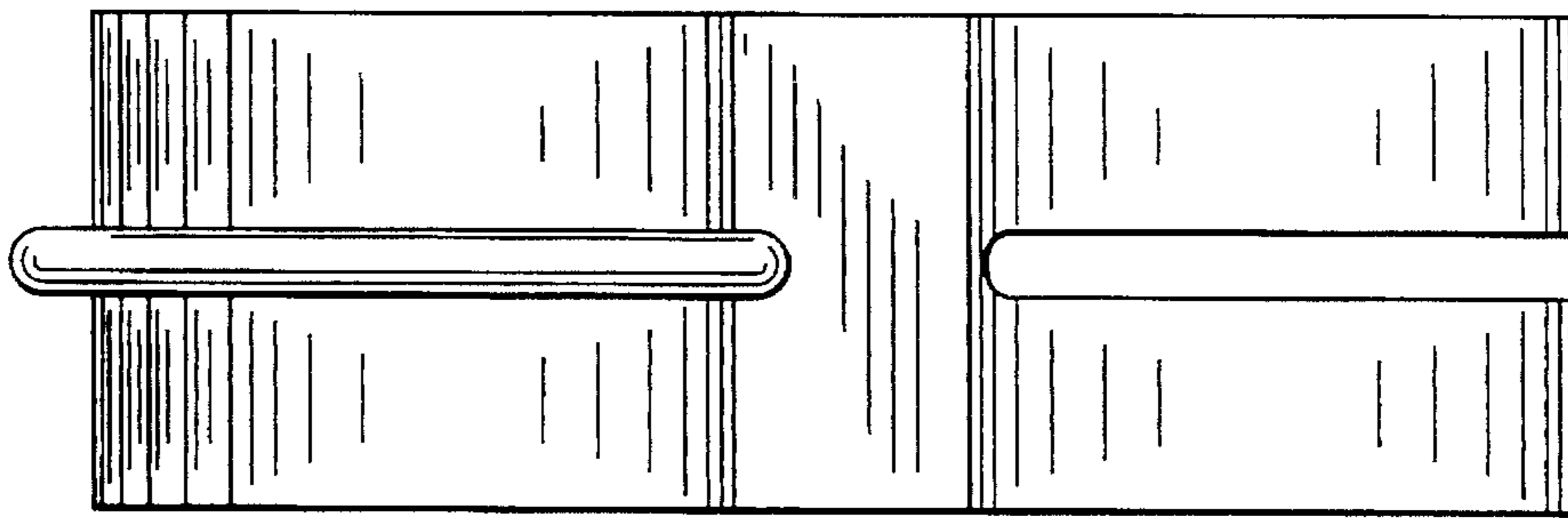


FIG. - 3

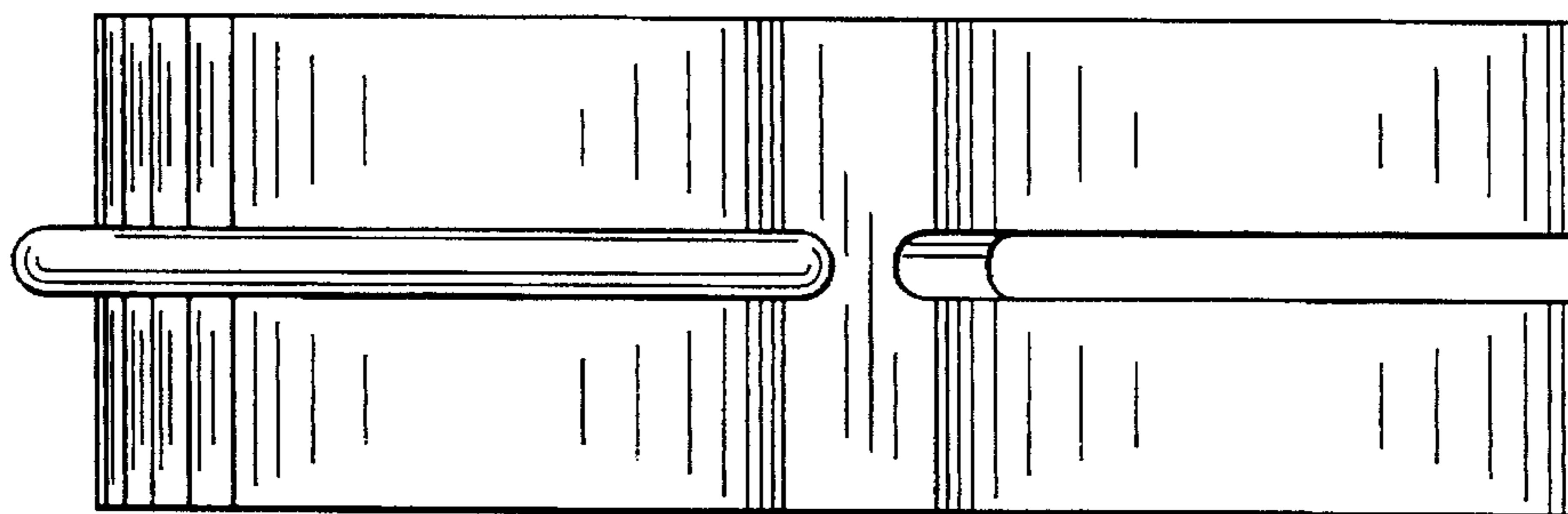


FIG. - 4

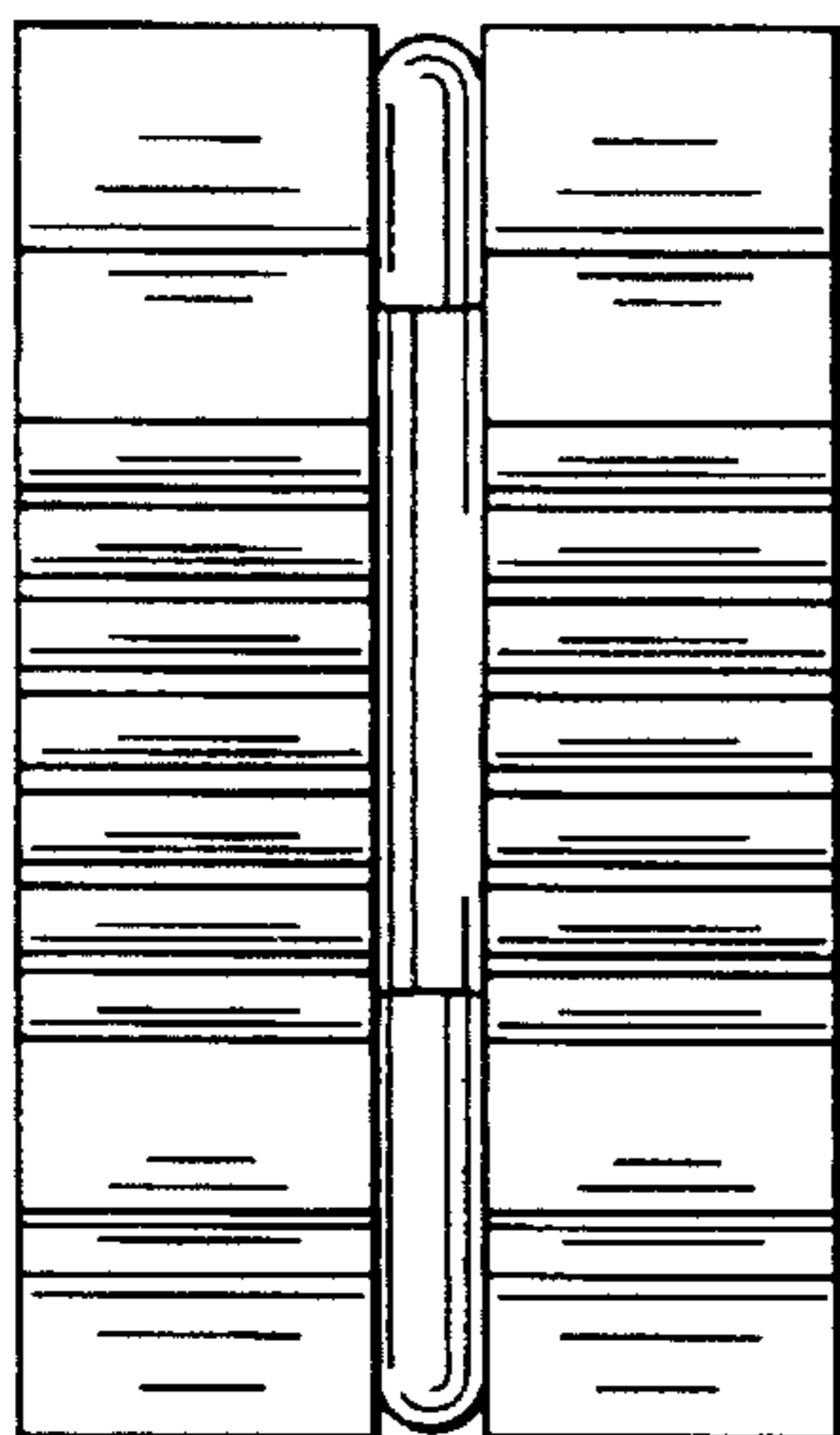


FIG. - 5

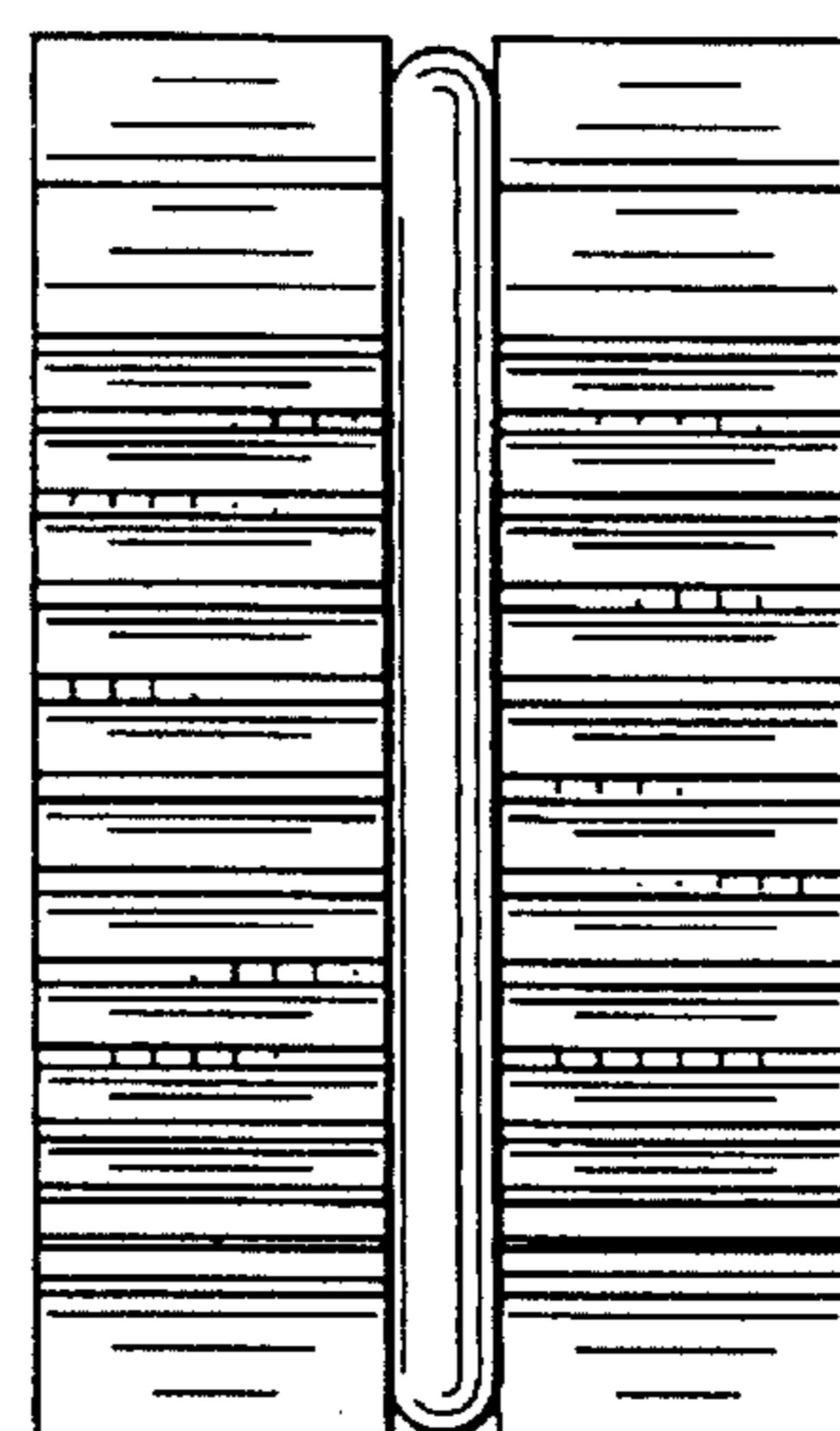


FIG. - 6