



US00D373075S

United States Patent [19]
Miyashita

[11] **Patent Number: Des. 373,075**
[45] **Date of Patent: **Aug. 27, 1996**

[54] **JOINT FOR A RACK FRAME**

[75] Inventor: **Muneharu Miyashita**, Shizuoka, Japan

[73] Assignee: **Yazaki Industrial Chemical Co., Ltd.**,
Shizuoka, Japan

[**] Term: **14 Years**

[21] Appl. No.: **27,439**

[22] Filed: **Aug. 22, 1994**

[52] U.S. Cl. **D8/382**

[58] **Field of Search** D8/382, 400; 403/400,
403/232.1, 233, 405, 247, 169, 205, 388;
248/262, 200.1; D6/491, 462-465; D34/21,
27

[56] **References Cited**

U.S. PATENT DOCUMENTS

1,540,140	6/1925	Ohnstrand	403/247
1,545,779	7/1925	Krumwiede	248/262
2,398,219	4/1946	Geer	403/388
4,196,556	4/1980	Russo	403/247 X
4,561,230	12/1985	Rionda et al.	403/232.1 X

FOREIGN PATENT DOCUMENTS

609546 of 1956 Germany 248/262

Primary Examiner—Lucy Lieberman
Attorney, Agent, or Firm—Smith-Hill and Bedell

[57] **CLAIM**

The ornamental design for a joint for a rack frame, as shown and described.

DESCRIPTION

FIG. 1 is a perspective view of a joint for a rack frame showing my new design;
FIG. 2 is a front elevational view thereof;
FIG. 3 is a top plan view thereof;
FIG. 4 is a bottom view thereof;
FIG. 5 is a right side elevational view thereof;
FIG. 6 is a left side elevational view thereof;
FIG. 7 is a sectional view along line 7—7 of FIG. 8; and,
FIG. 8 is a perspective view showing the use as a joint for a rack frame fitting to the frame member.
The rear elevation is a mirror image of the front elevation shown in FIG. 2.

1 Claim, 3 Drawing Sheets

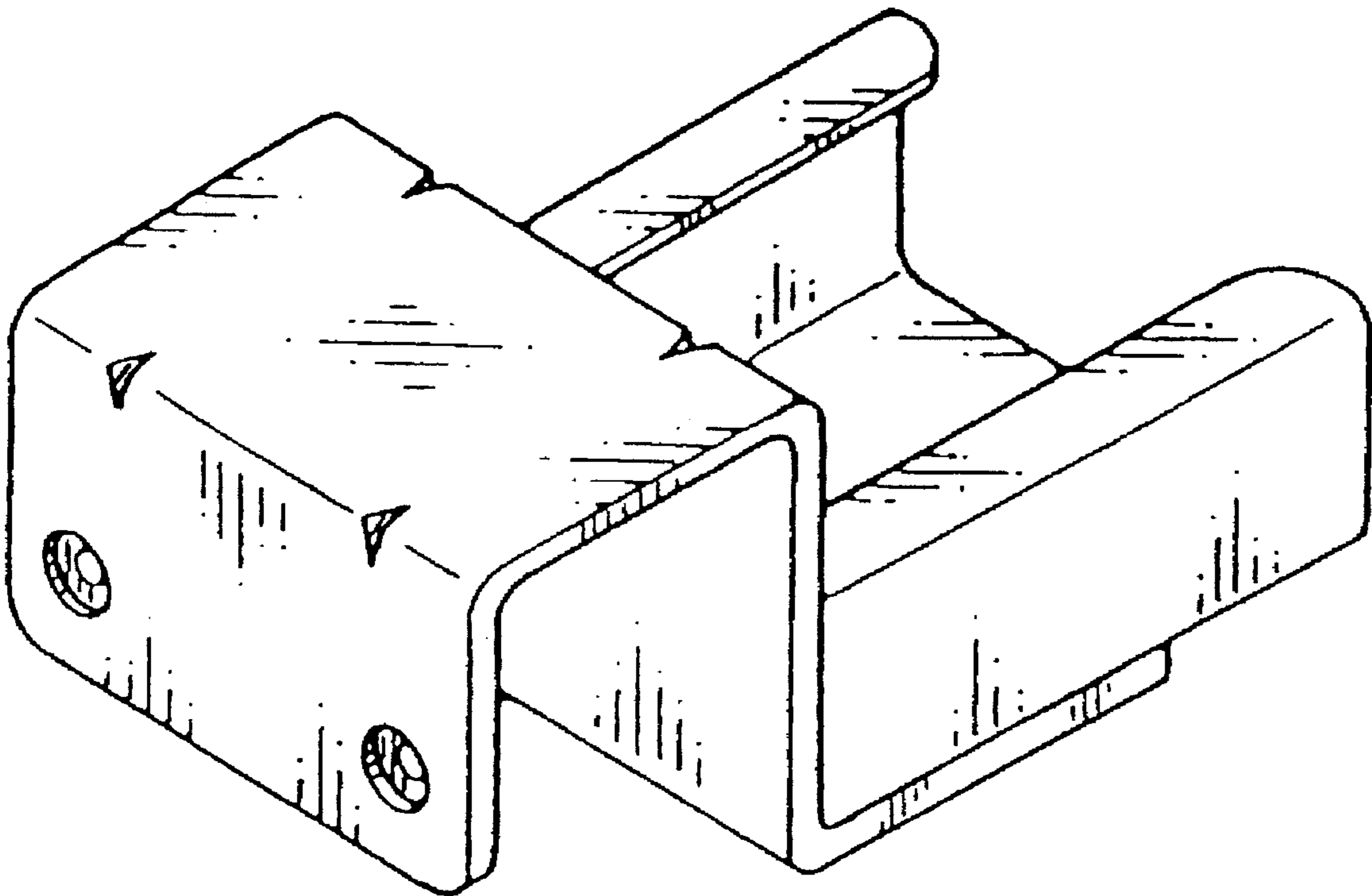


FIG. 1

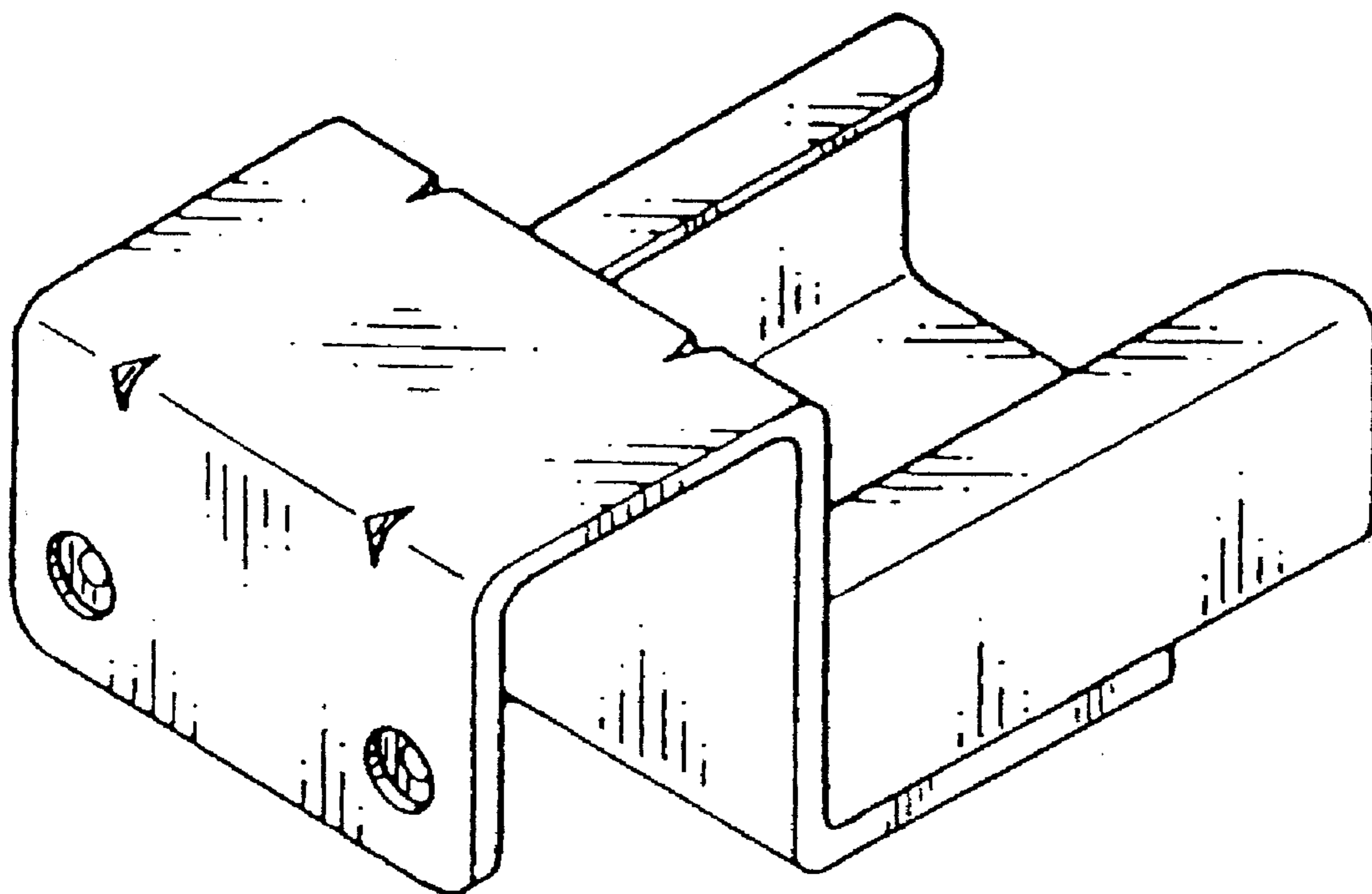


FIG. 2

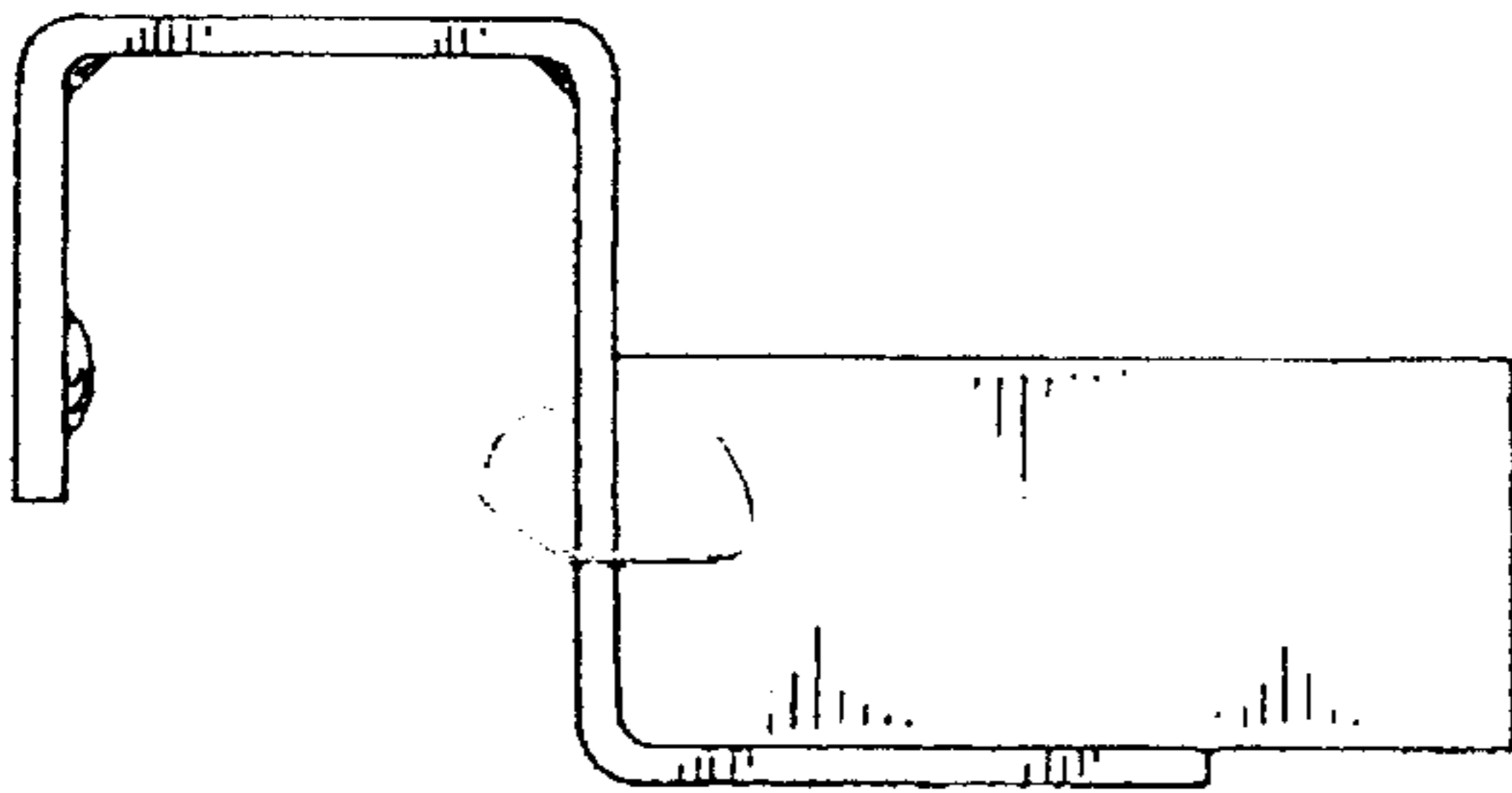


FIG. 3

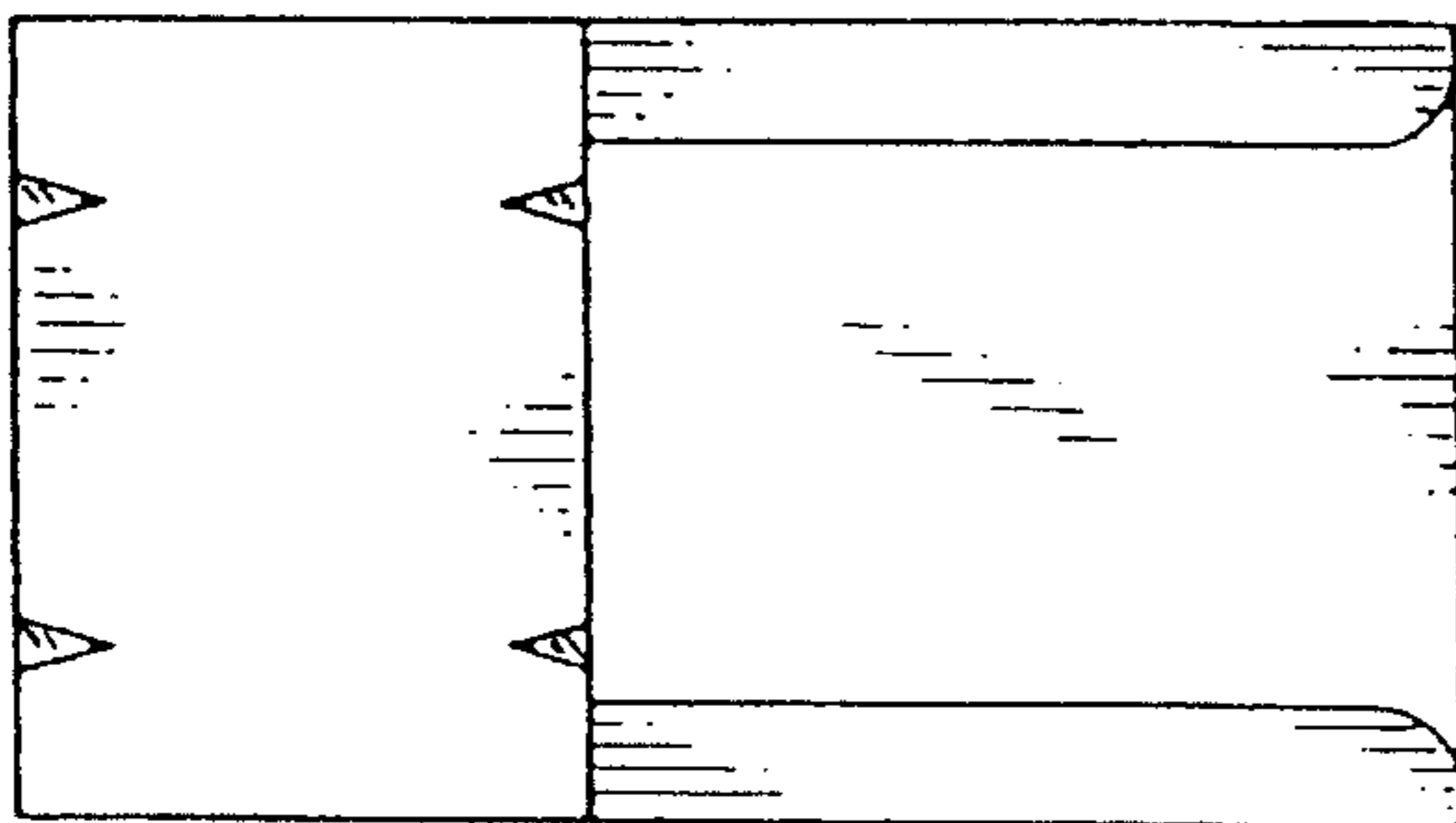


FIG. 4

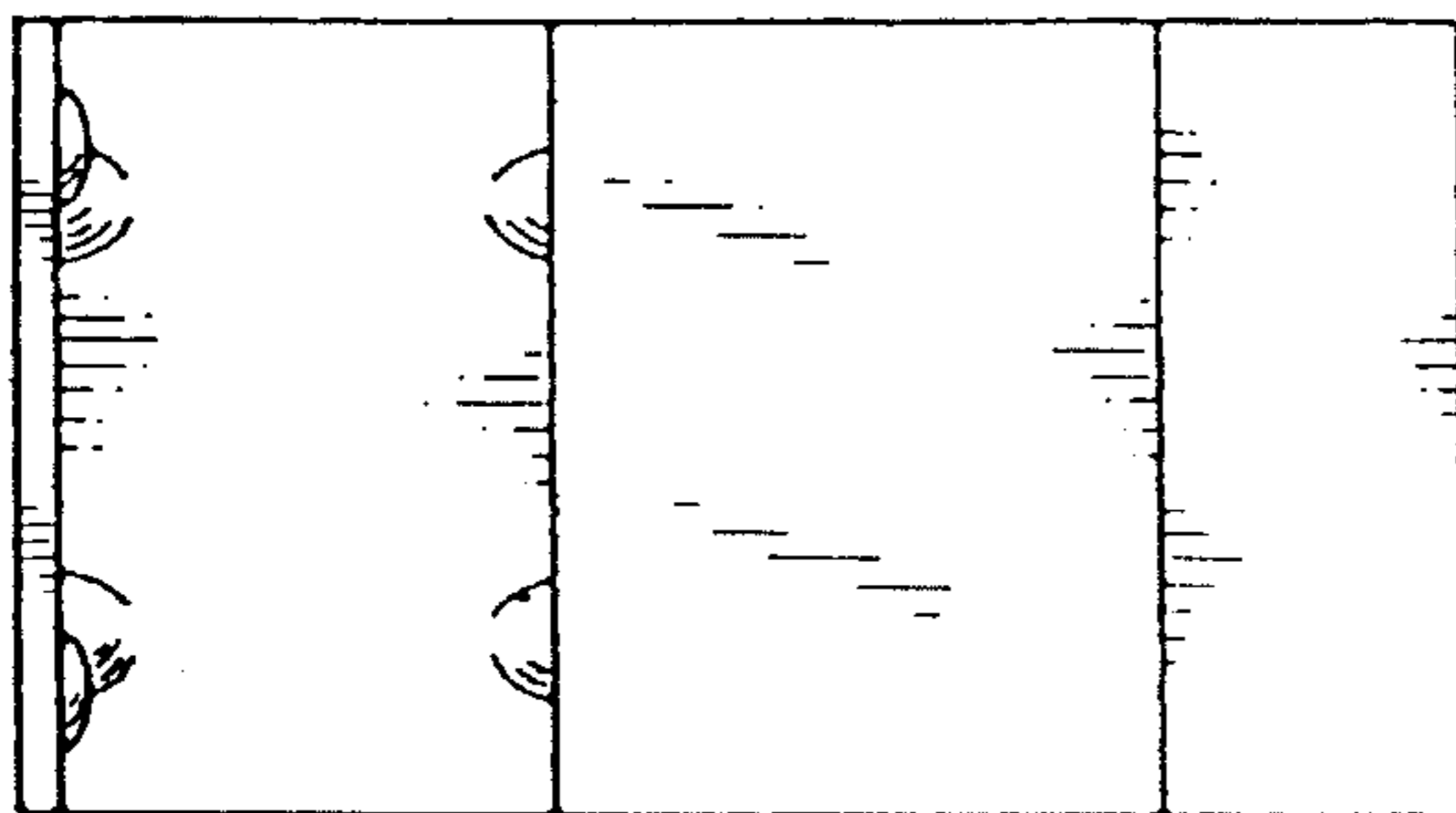


FIG. 7

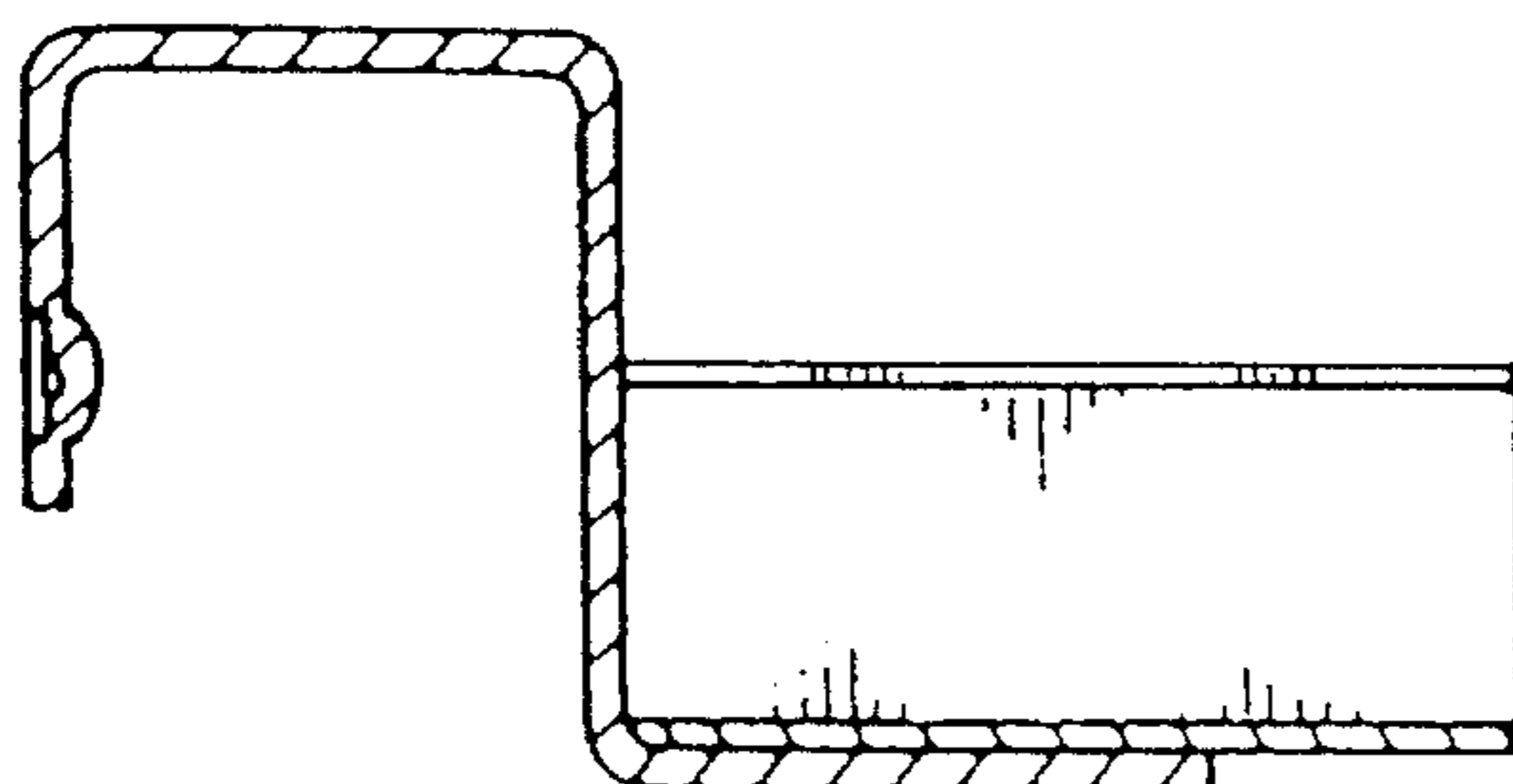


FIG. 5

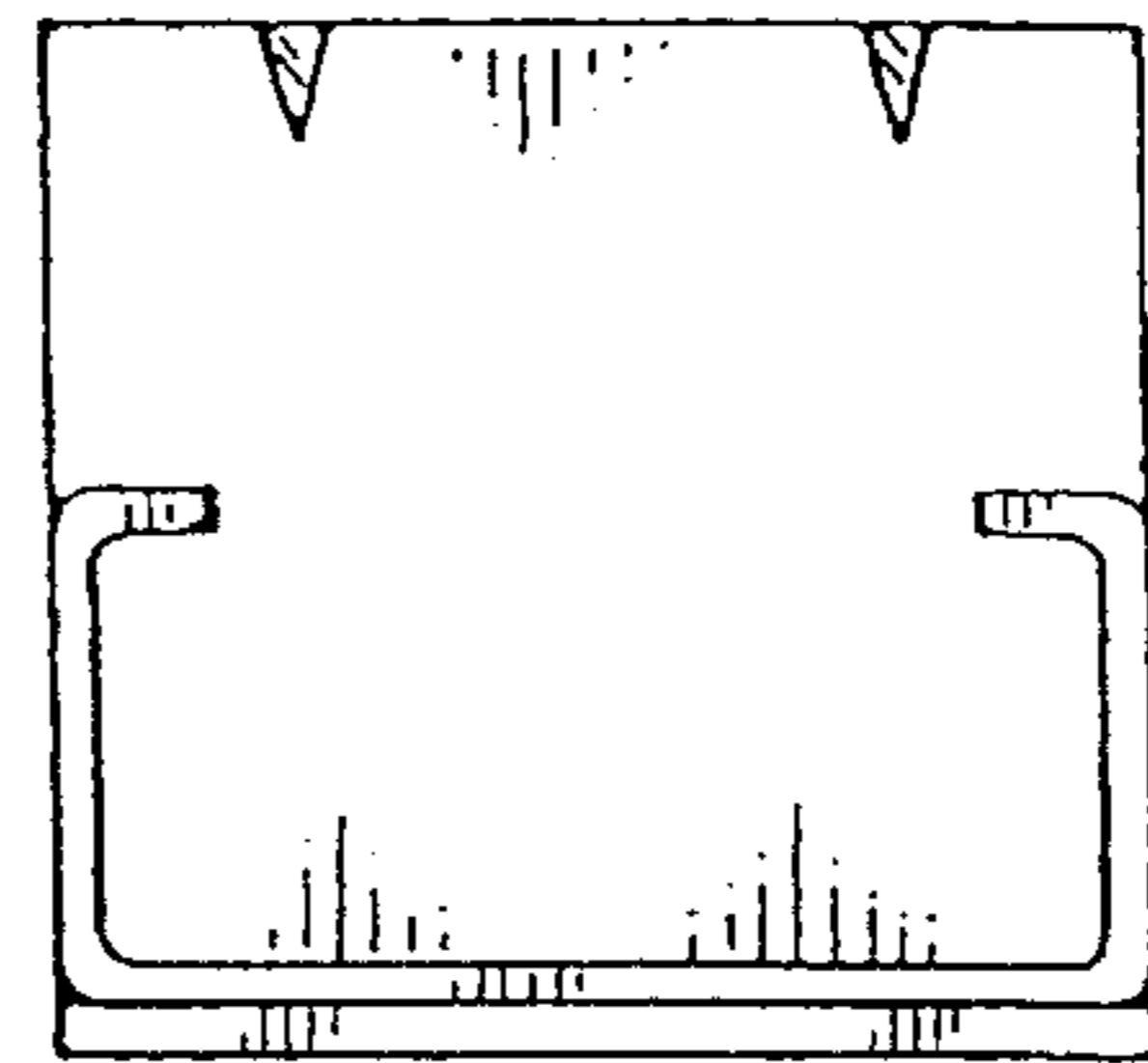


FIG. 6

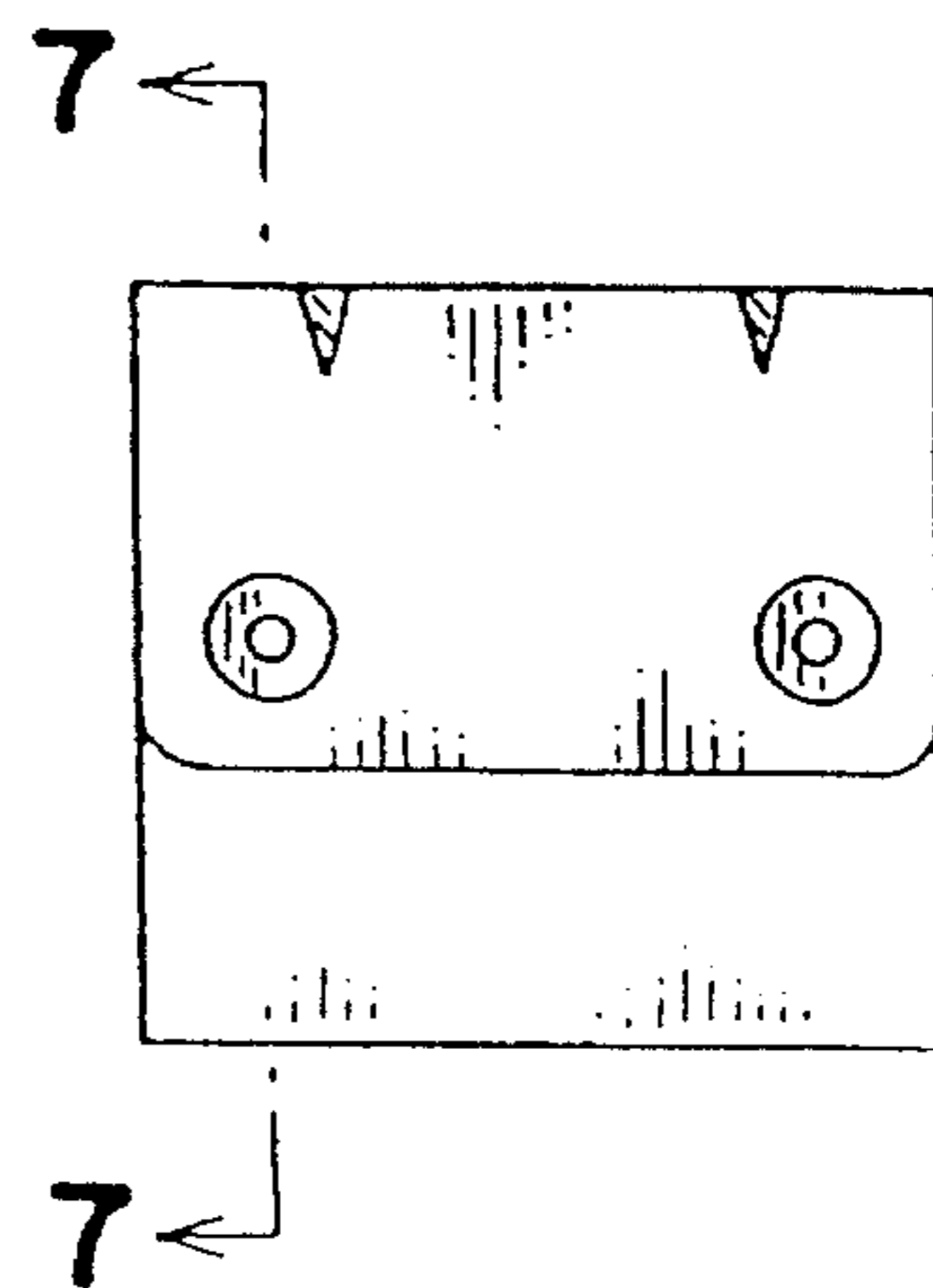


FIG. 8

