



US00D373074S

United States Patent [19] Miyashita

[11] Patent Number: **Des. 373,074**

[45] Date of Patent: ****Aug. 27, 1996**

[54] JOINT FOR A RACK FRAME

[75] Inventor: **Muneharu Miyashita**, Shizuoka, Japan

[73] Assignee: **Yazaki Industrial Chemical Co., Ltd.**,
Shizuoka, Japan

[**] Term: **14 Years**

[21] Appl. No.: **27,435**

[22] Filed: **Aug. 22, 1994**

[30] Foreign Application Priority Data

Jun. 30, 1994 [JP] Japan 6-19416

[52] U.S. Cl. **D8/382**

[58] Field of Search D8/382, 400; 403/400,
403/232.1, 233, 405, 247, 169, 205, 388;
248/262, 200.1; D6/491, 462-465; D34/21,
27

[56] References Cited

U.S. PATENT DOCUMENTS

1,540,140 6/1925 Ohnstrand 403/247
1,545,779 7/1925 Krumwiede 248/262
2,398,219 4/1946 Geer 403/388
4,561,230 12/1985 Rionda et al. 403/232.1 X

FOREIGN PATENT DOCUMENTS

609546 of 1956 Germany 248/262

Primary Examiner—Lucy Lieberman
Attorney, Agent, or Firm—Smith-Hill and Bedell

[57] CLAIM

The ornamental design for a joint for a rack frame, as shown and described.

DESCRIPTION

FIG. 1 is a perspective view of a joint for a rack frame showing my new design;

FIG. 2 is a front elevational view thereof;

FIG. 3 is a top plan view thereof;

FIG. 4 is a bottom view thereof;

FIG. 5 is a right side elevational view thereof;

FIG. 6 is a left side elevational view thereof;

FIG. 7 is a sectional view along line 7—7 of FIG. 6; and,

FIG. 8 is a perspective view showing the use as a joint for a rack frame fitting to the frame member.

The rear elevation is a mirror image of the front elevation shown in FIG. 2.

1 Claim, 3 Drawing Sheets

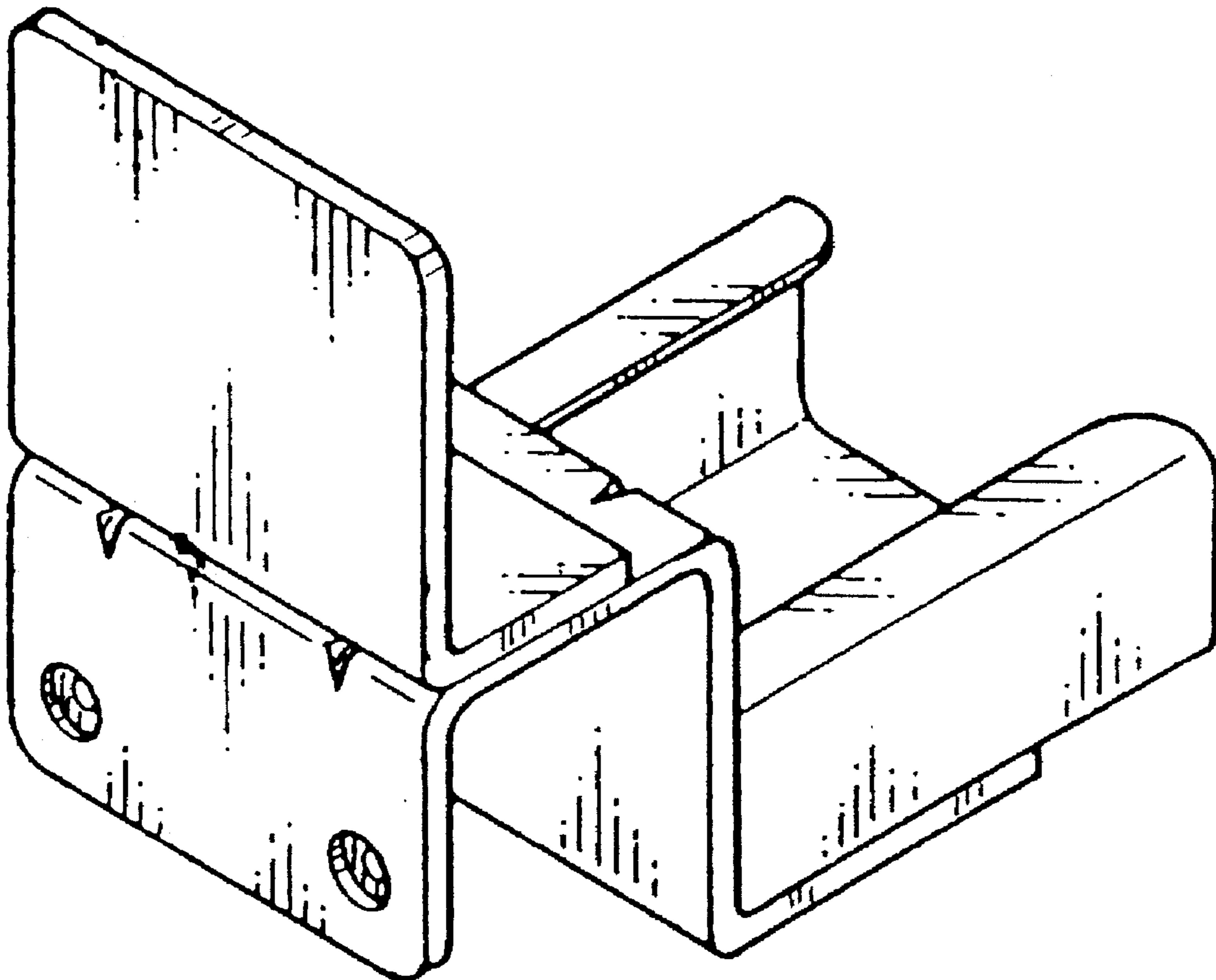


FIG. 1

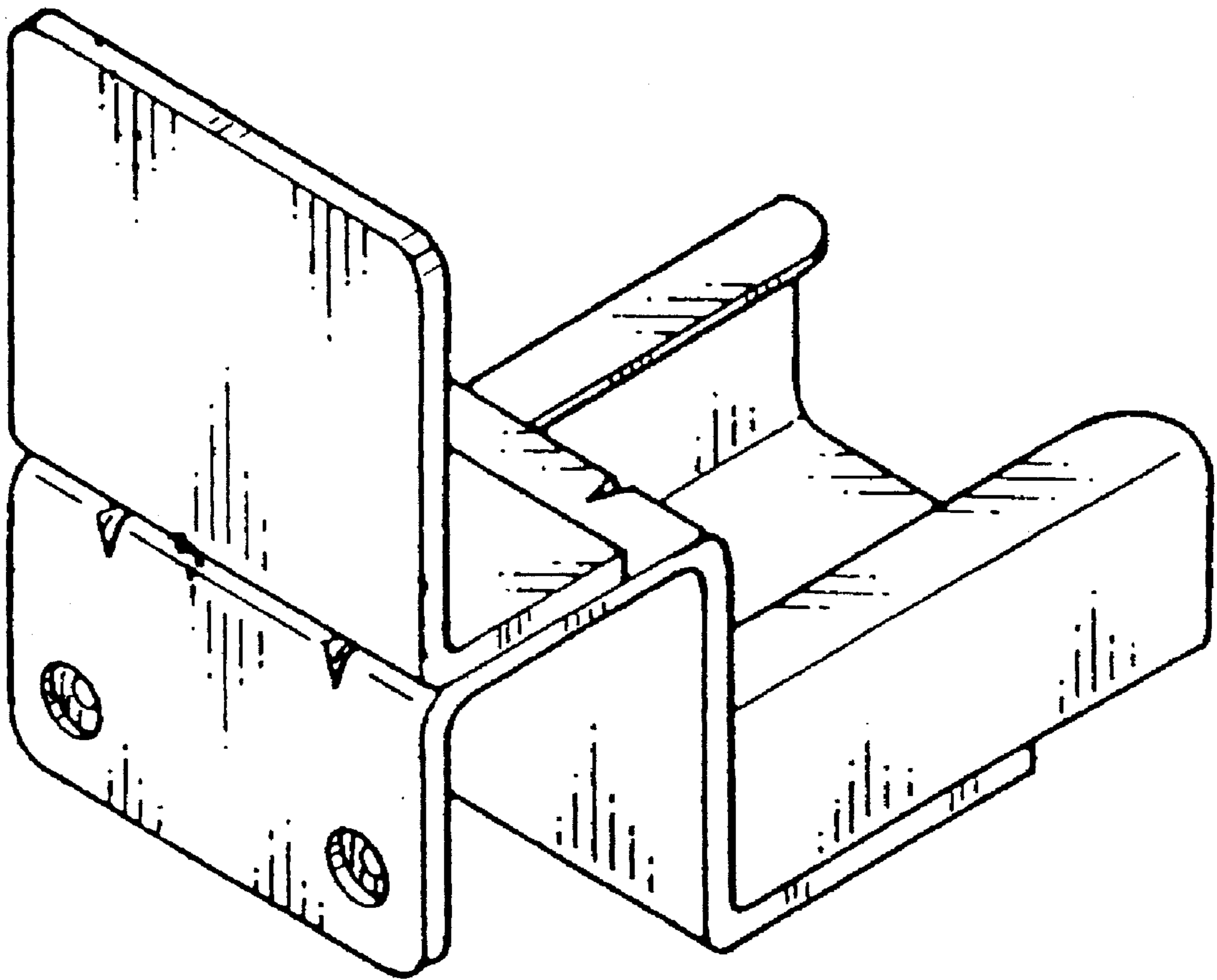


FIG. 2

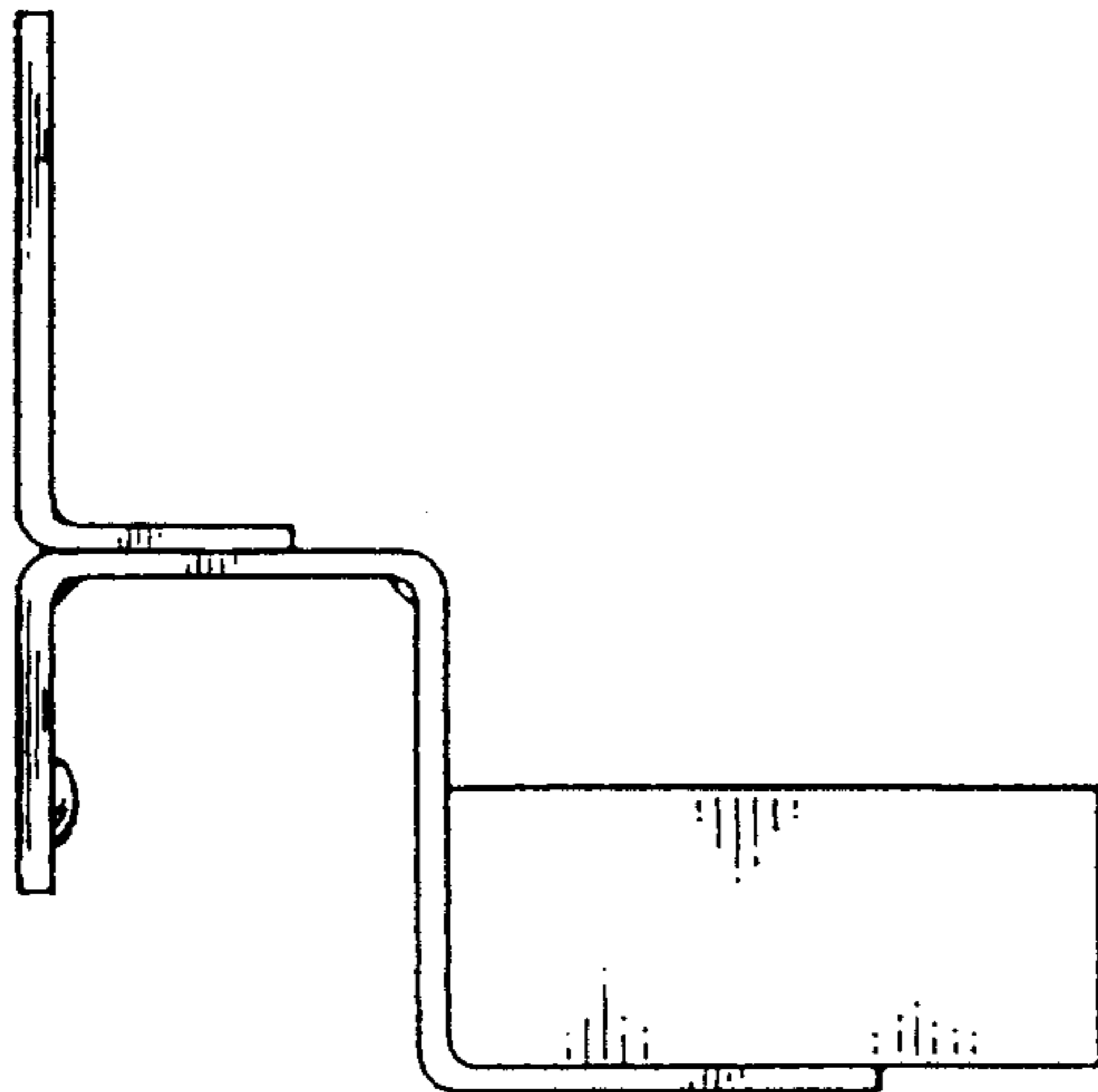


FIG. 3

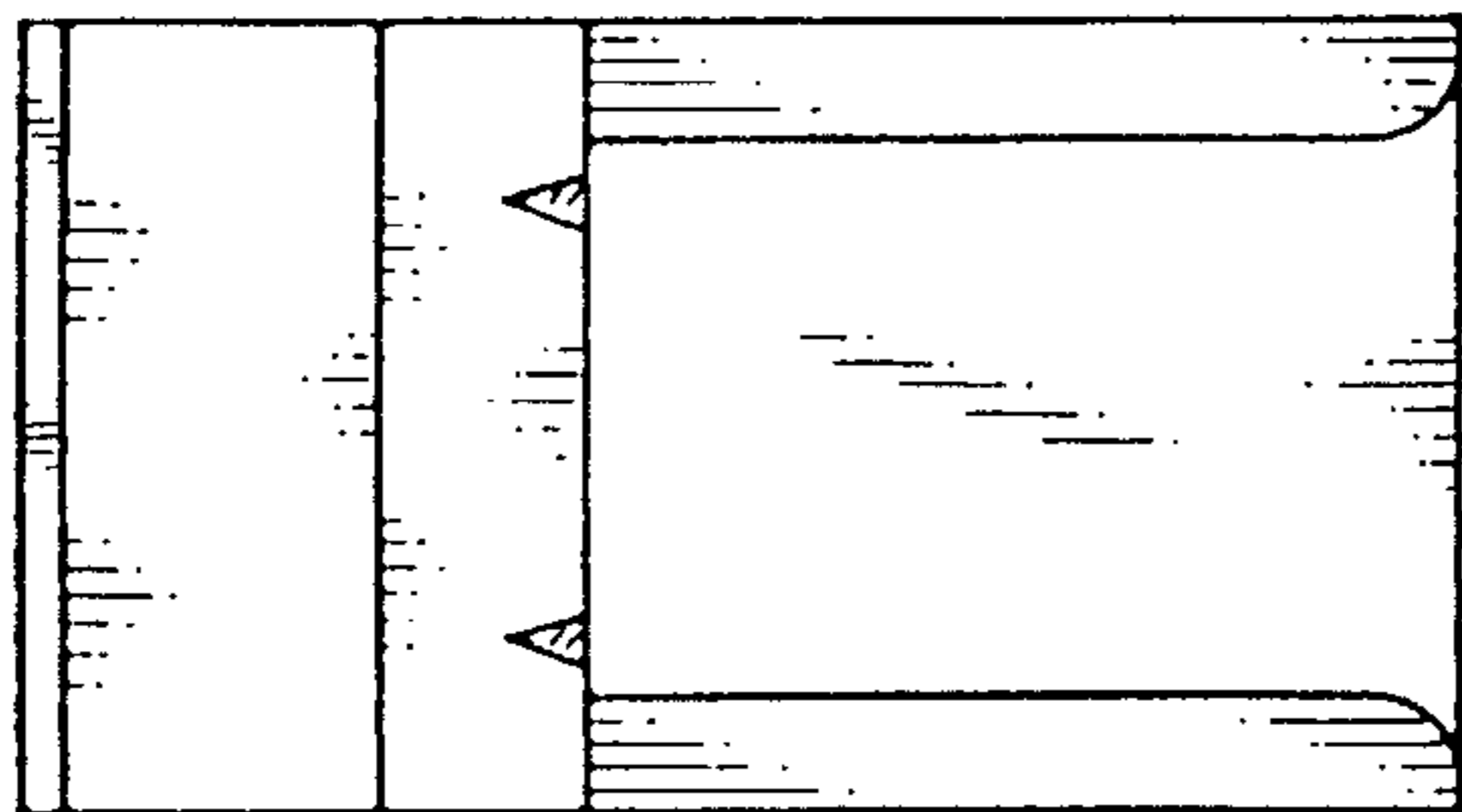


FIG. 4

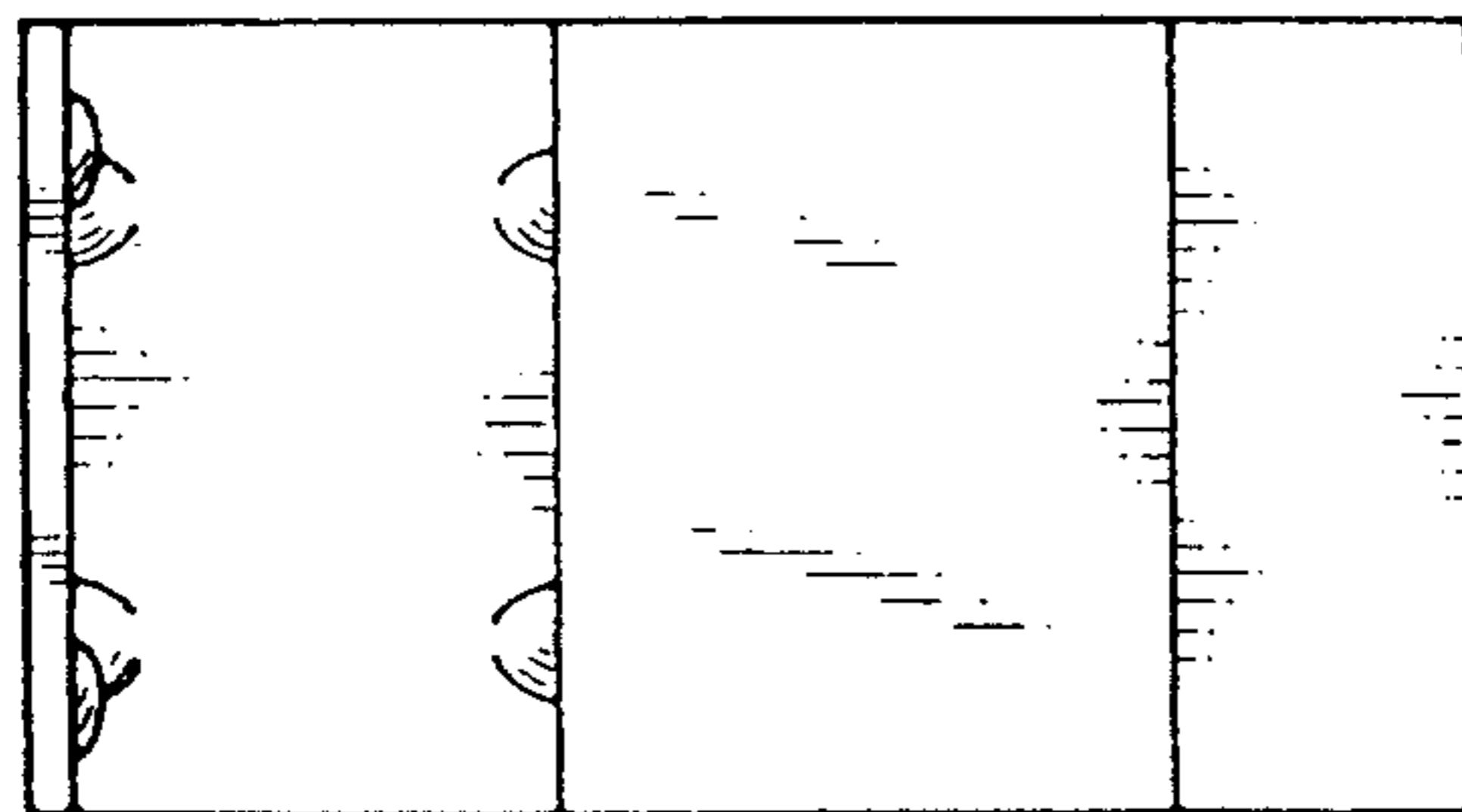


FIG. 5

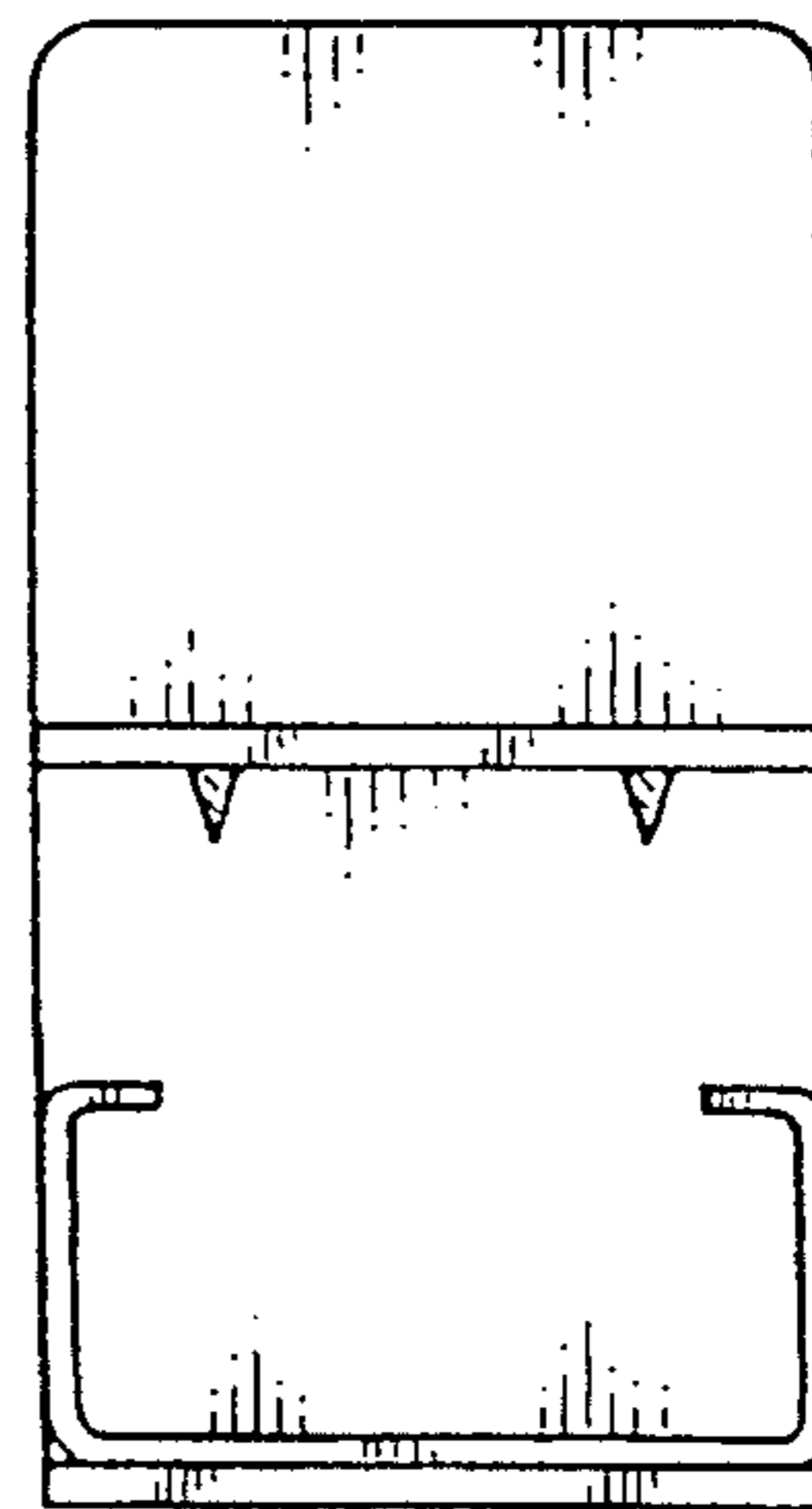


FIG. 6

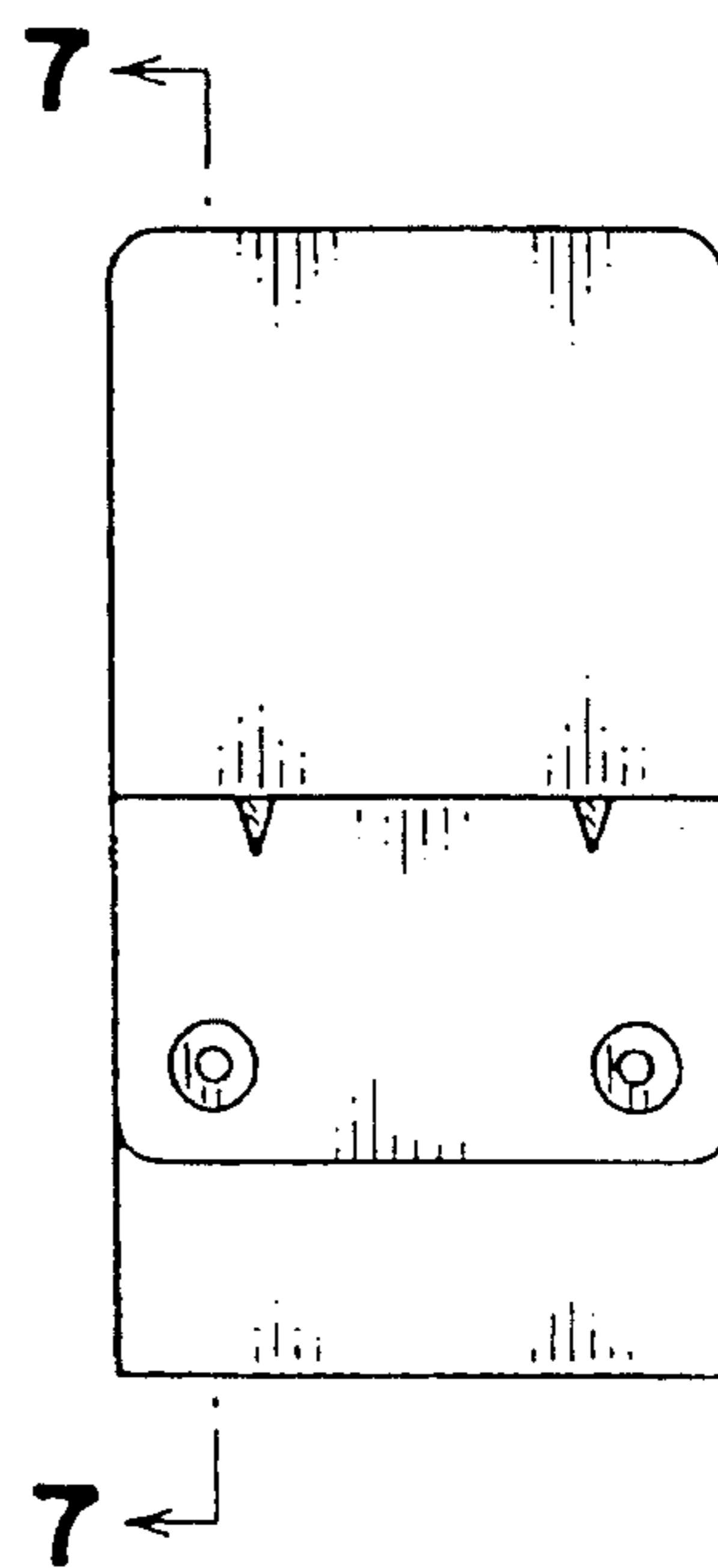


FIG. 7

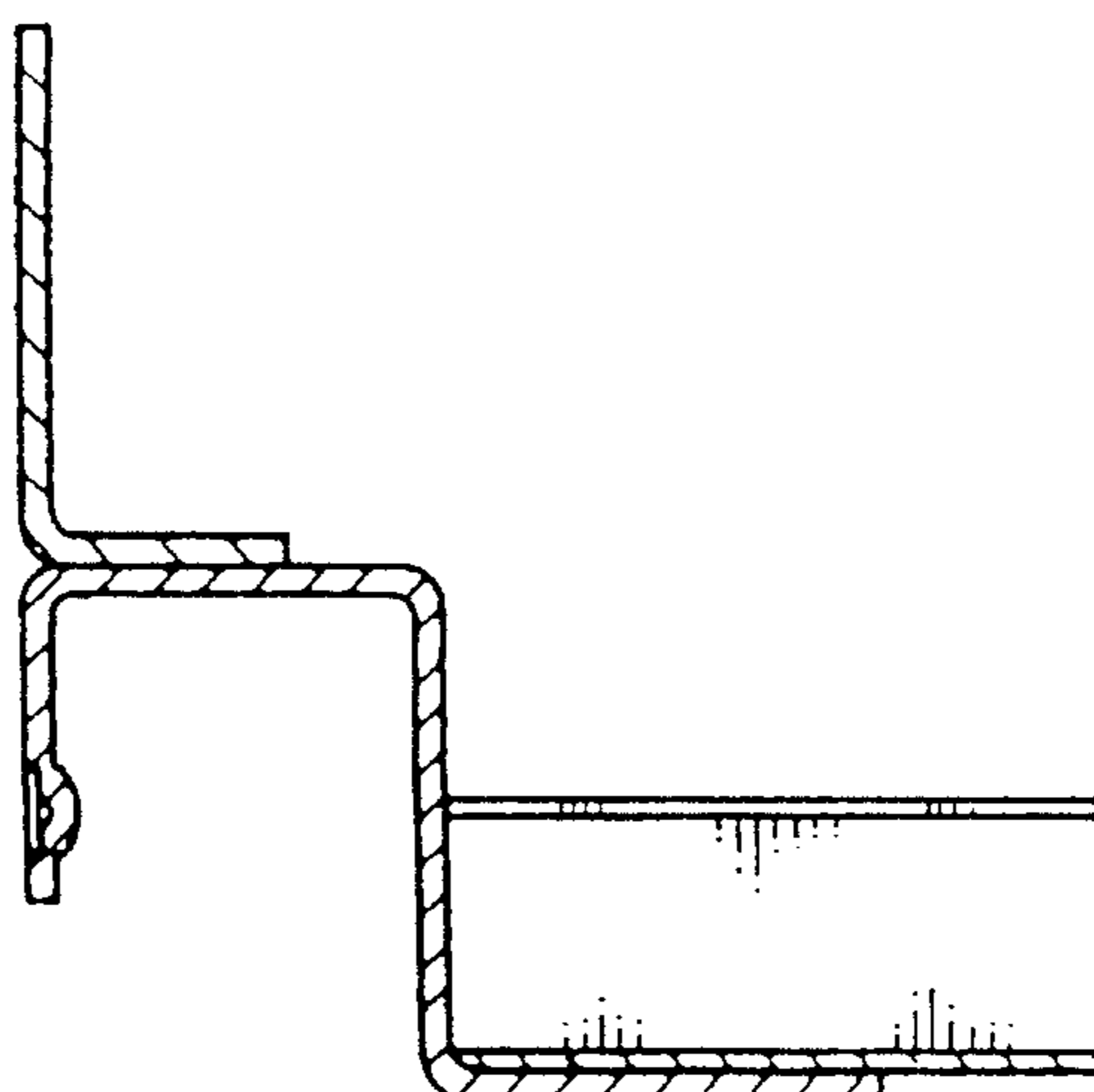


FIG. 8

