



US00D373071S

United States Patent [19]

[11] Patent Number: **Des. 373,071**

Vogels

[45] Date of Patent: ****Aug. 27, 1996**

[54] TV SUPPORT

[75] Inventor: **Henricus H. Vogels**, DE Eindhoven, Netherlands

[73] Assignee: **Vogel's Holding B.V.**, Eindhoven, Netherlands

[**] Term: **14 Years**

[21] Appl. No.: **43,536**

[22] Filed: **Sep. 6, 1995**

Related U.S. Application Data

[62] Division of Ser. No. 34,385, Feb. 3, 1995.

[30] Foreign Application Priority Data

Oct. 17, 1994 [EP] European Pat. Off. DMA/002670

[52] U.S. Cl. **D8/363; D6/567**

[58] Field of Search 36/567, 553, 574;
 D8/349, 354-355, 363, 380-381; 248/670,
 220.2, 235, 241, 274, 284, 281.1, 291,
 310; 211/96, 100

[56] References Cited

U.S. PATENT DOCUMENTS

D. 320,928	10/1991	Boscacci et al.	D6/567 X
D. 337,719	7/1993	Burns	D8/363
D. 352,652	11/1994	Vogels	D8/363
3,916,627	11/1975	Carlisle et al.	248/310 X
4,659,047	4/1987	Haller	248/310 X

Primary Examiner—Brian N. Vinson
Attorney, Agent, or Firm—Ladas & Parry

[57] CLAIM

The ornamental design for a TV support, as shown.

DESCRIPTION

FIG. 1 is a front and left side perspective view of a TV support showing my new design;

FIG. 2 is a front elevational view thereof;

FIG. 3 is a rear elevational view thereof;

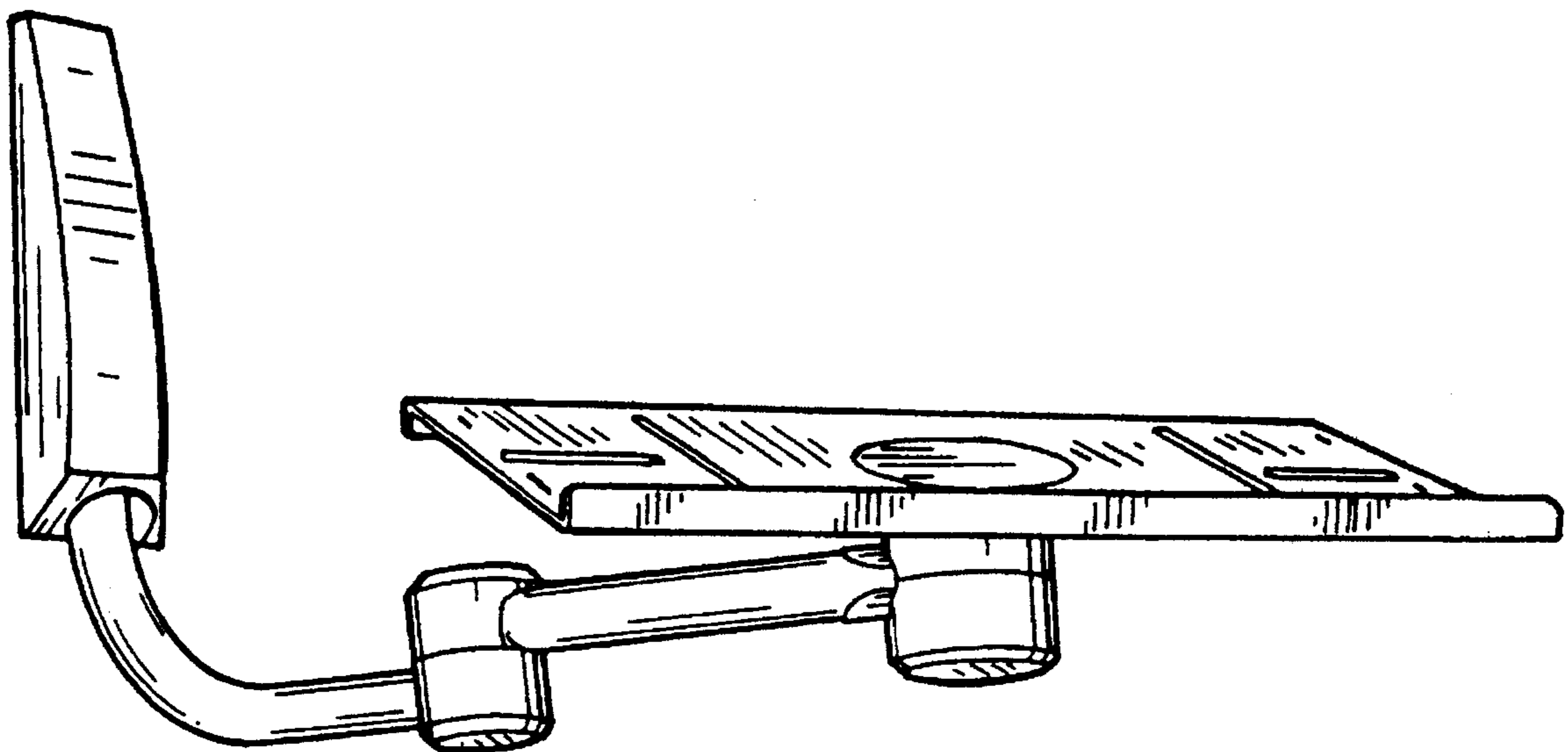
FIG. 4 is a right side elevational view thereof;

FIG. 5 is a left side elevational view thereof;

FIG. 6 is a top plan view thereof; and,

FIG. 7 is a bottom plan view thereof.

1 Claim, 4 Drawing Sheets



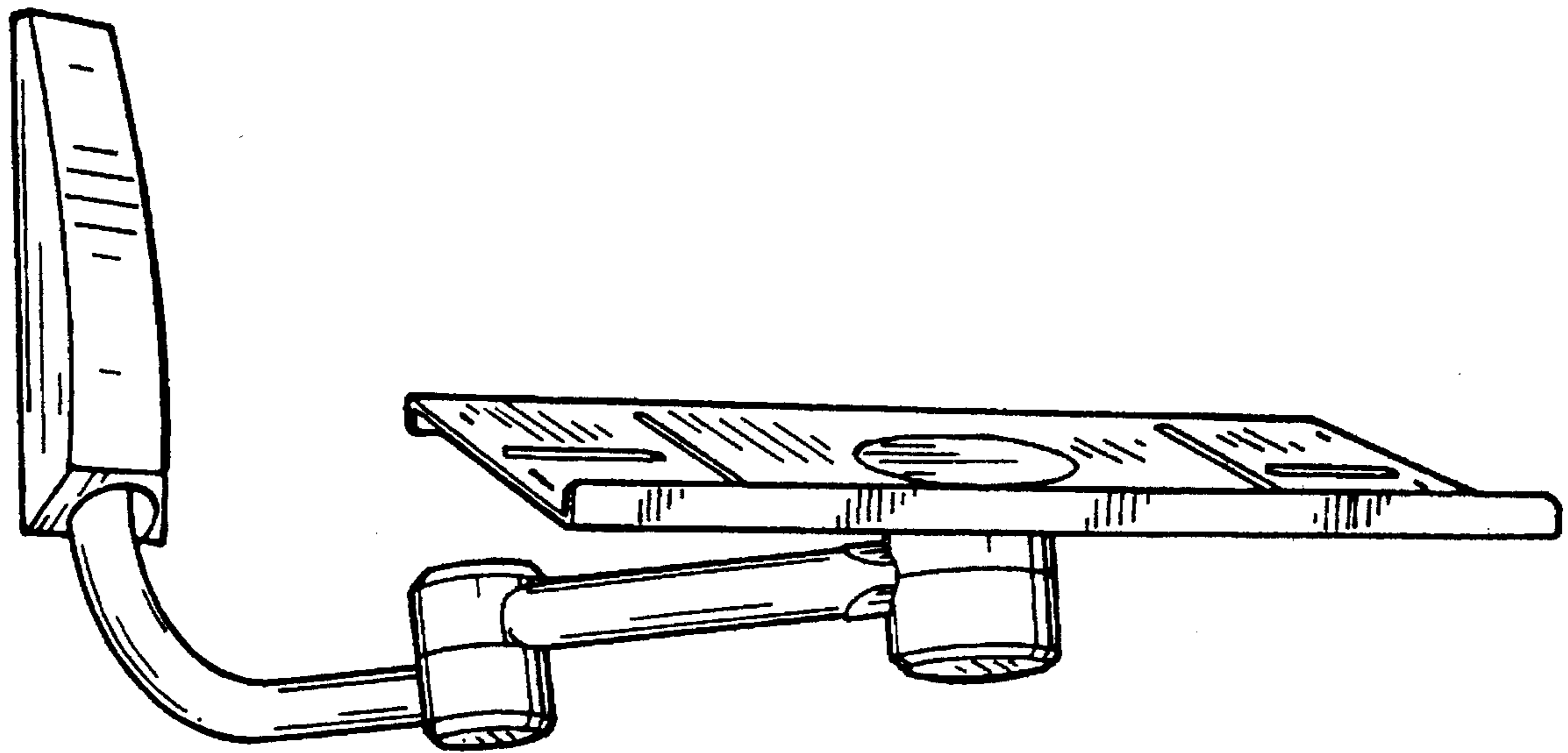


FIG. 1

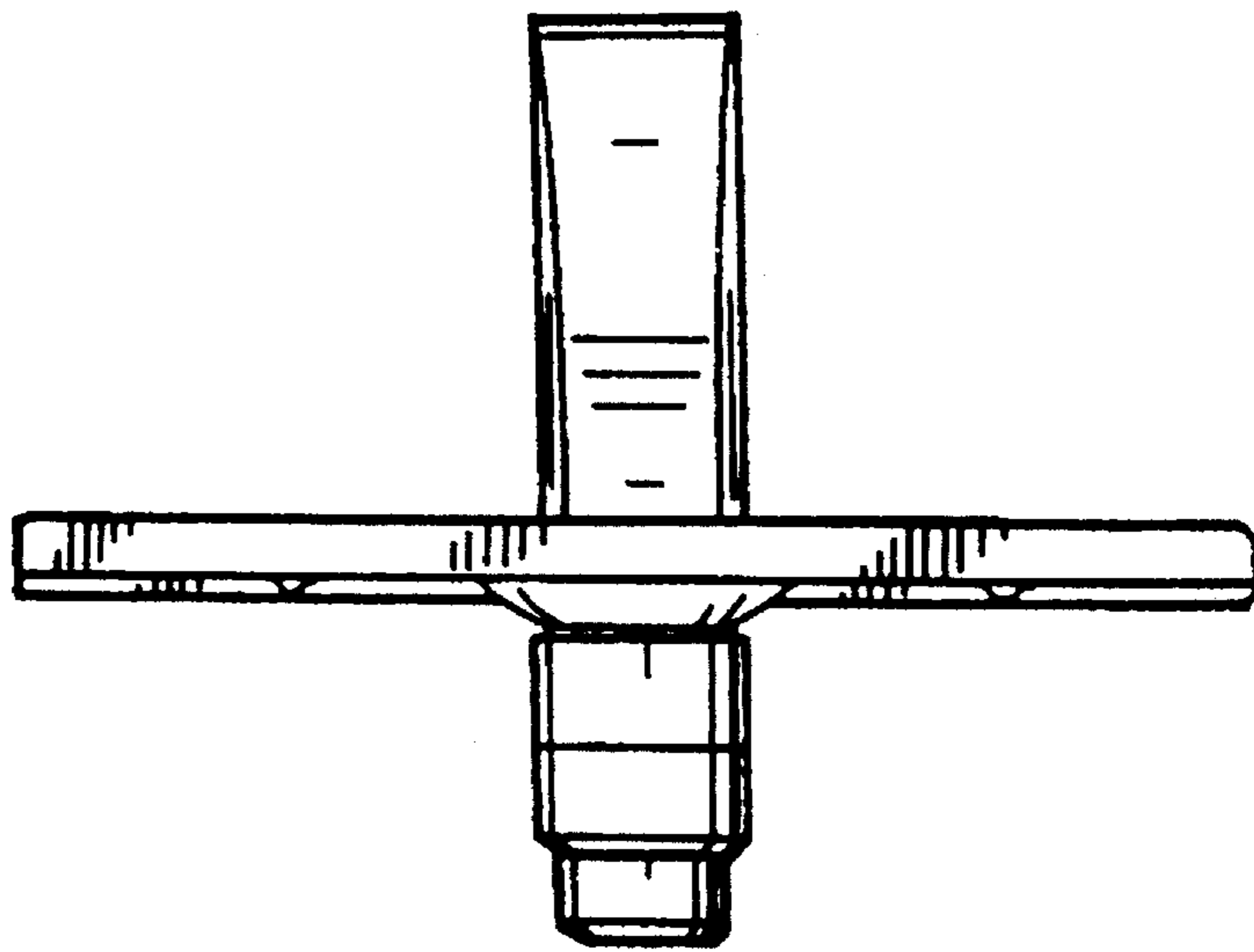


FIG. 2

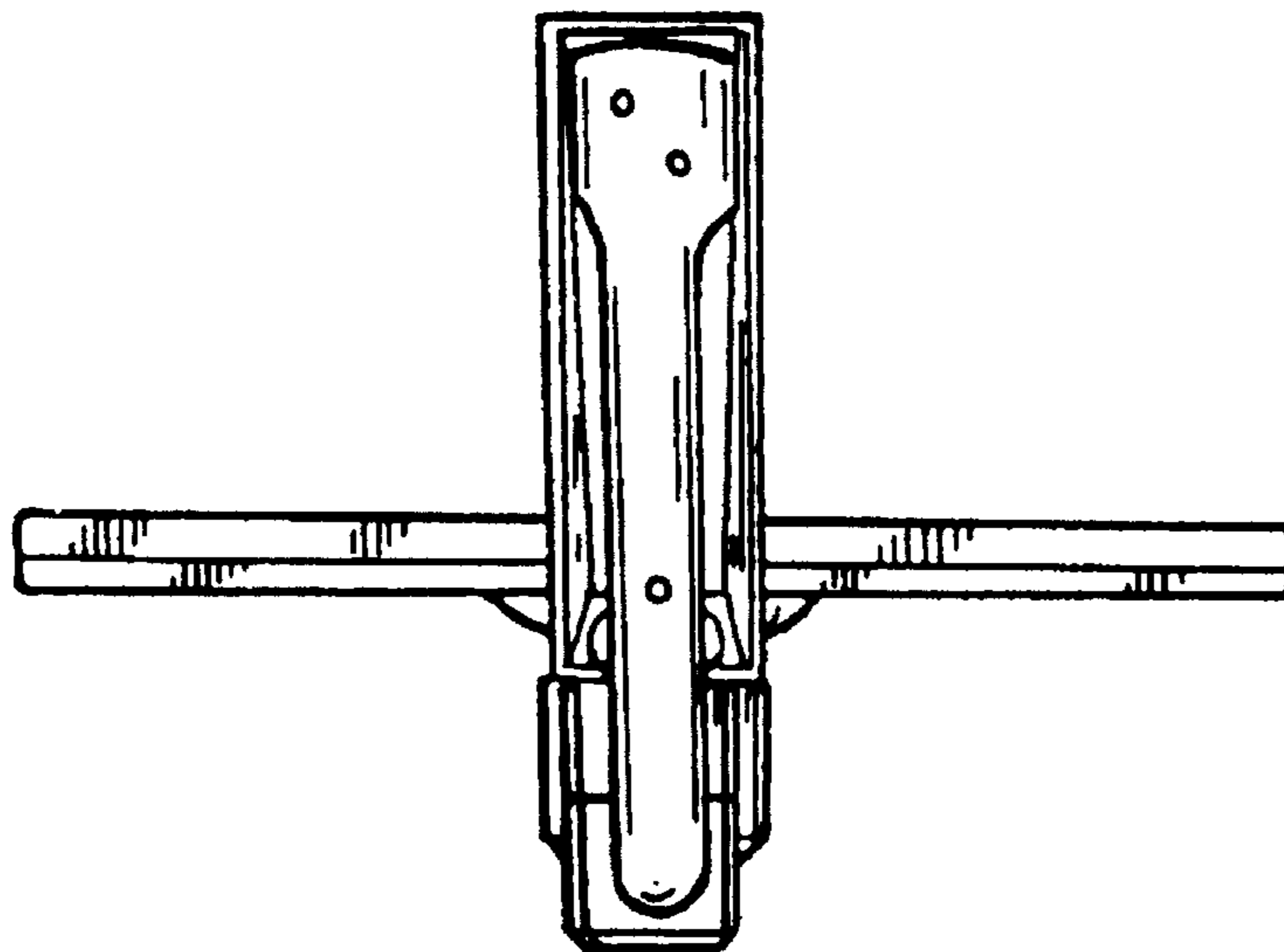


FIG. 3

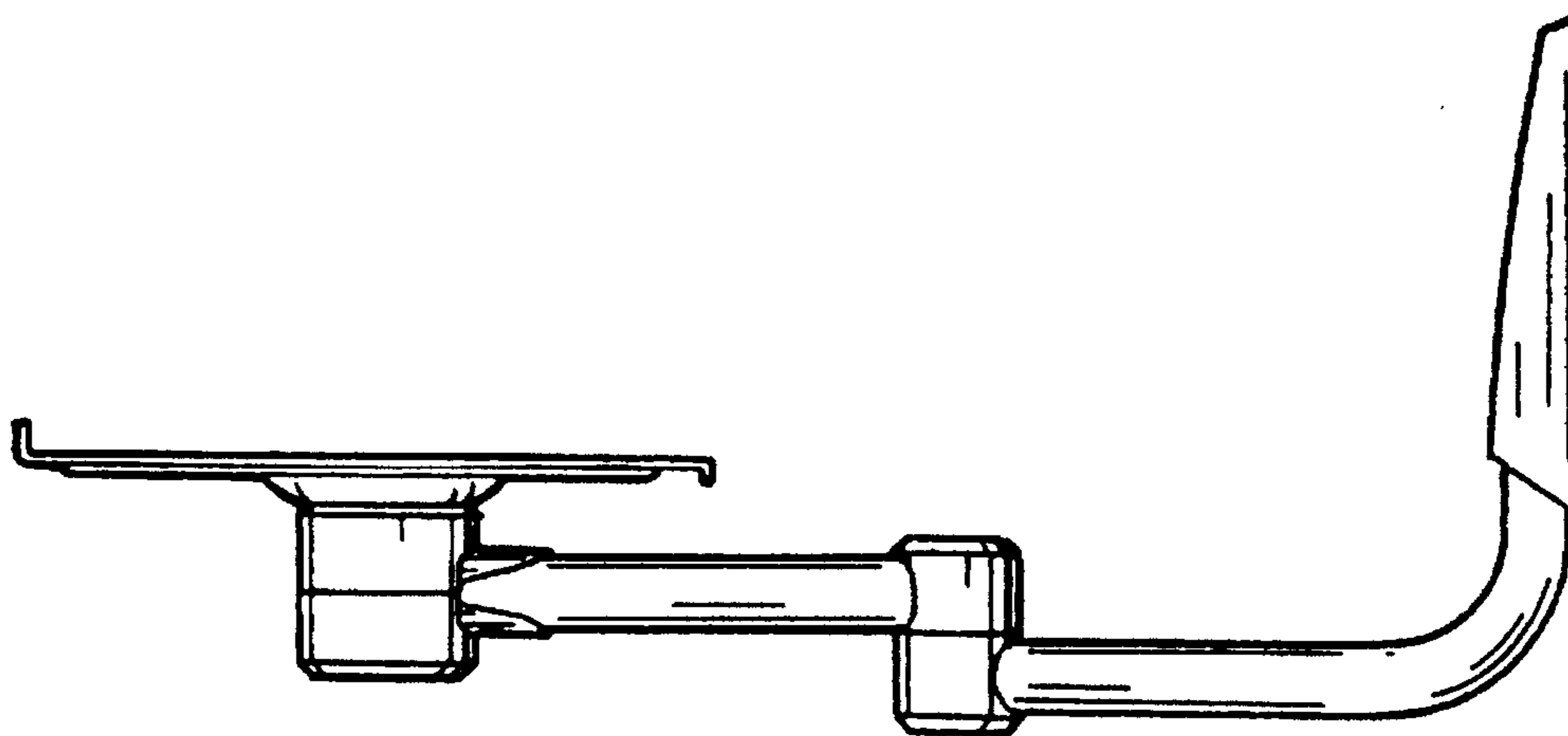


FIG. 4

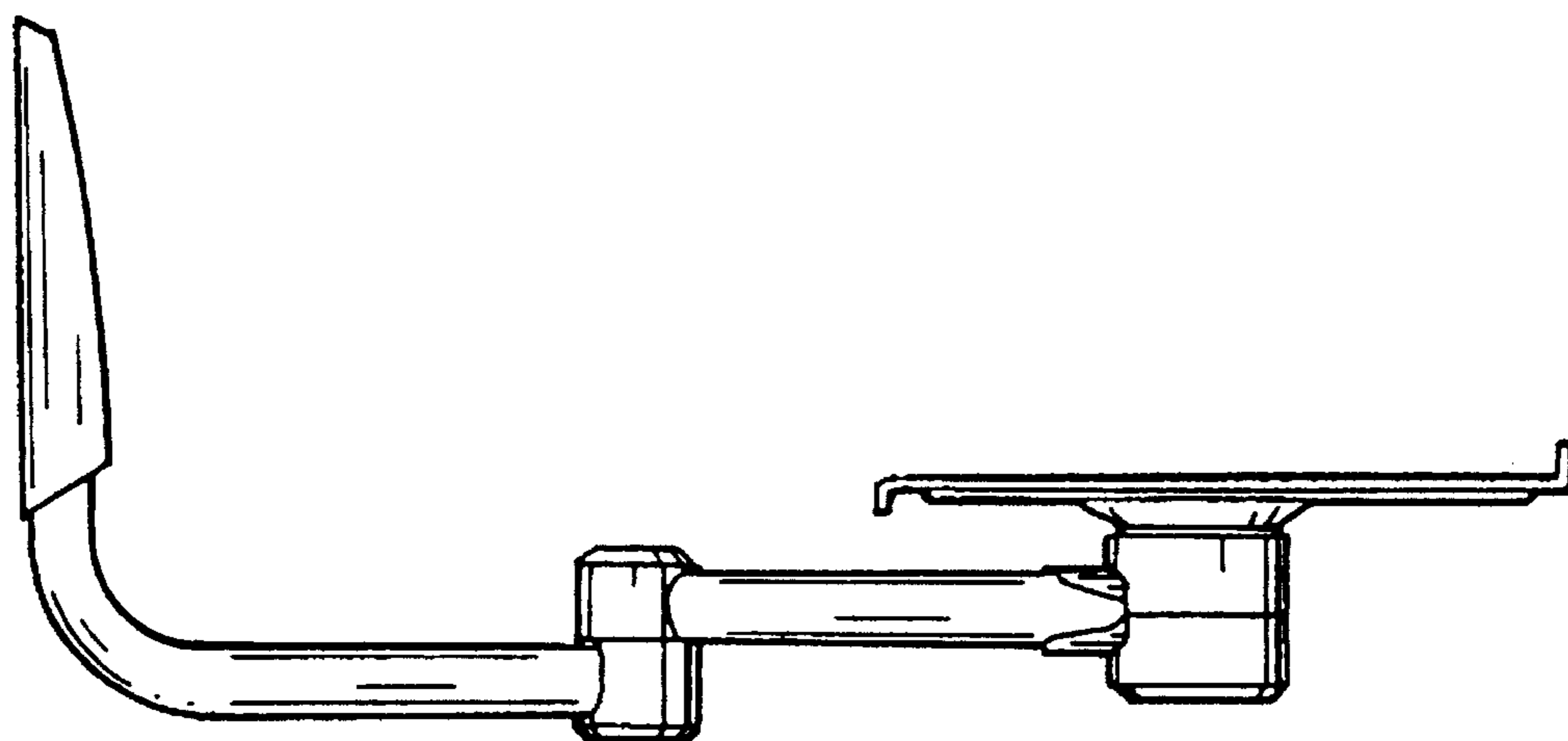


FIG. 5

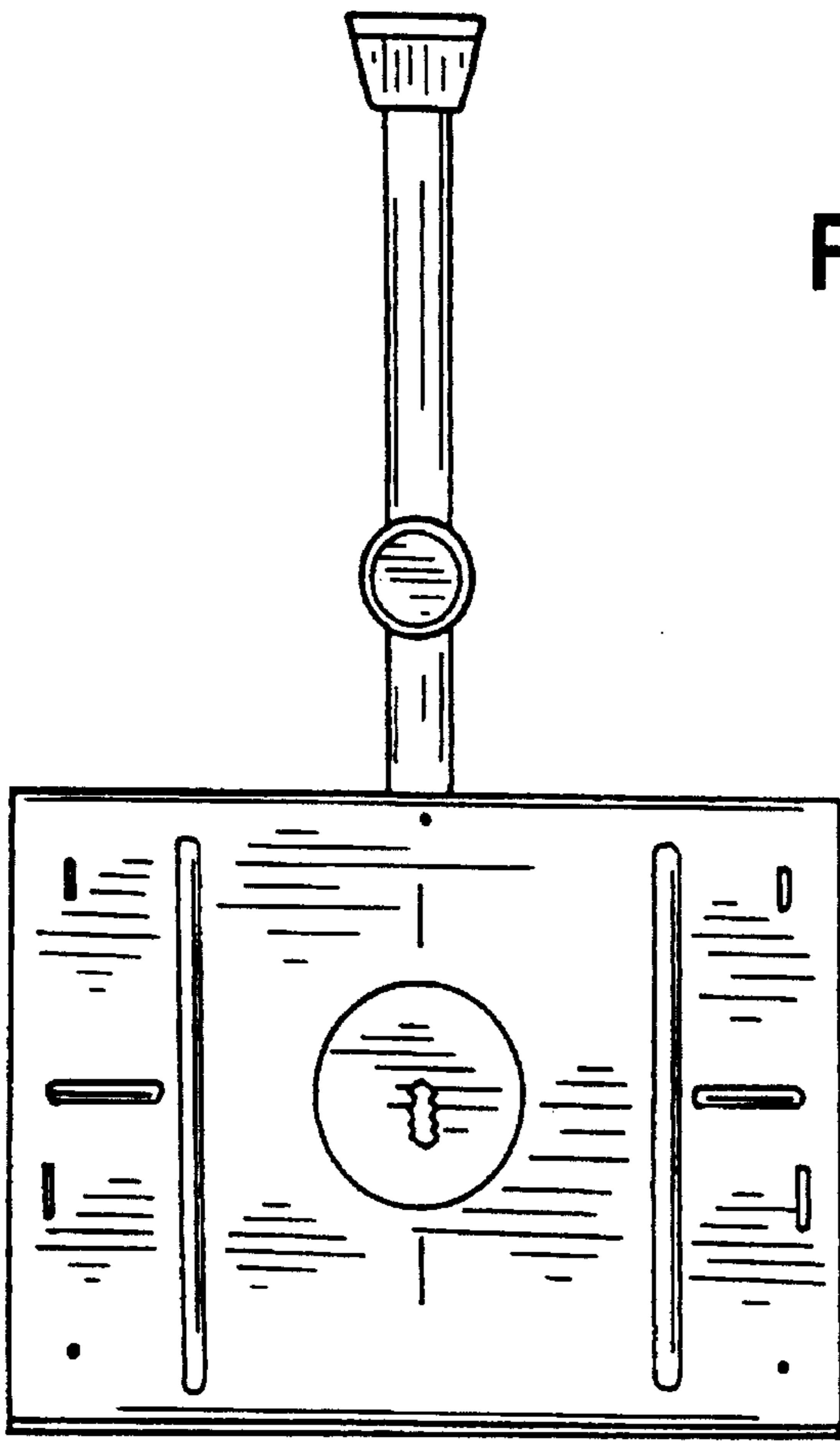


FIG. 6

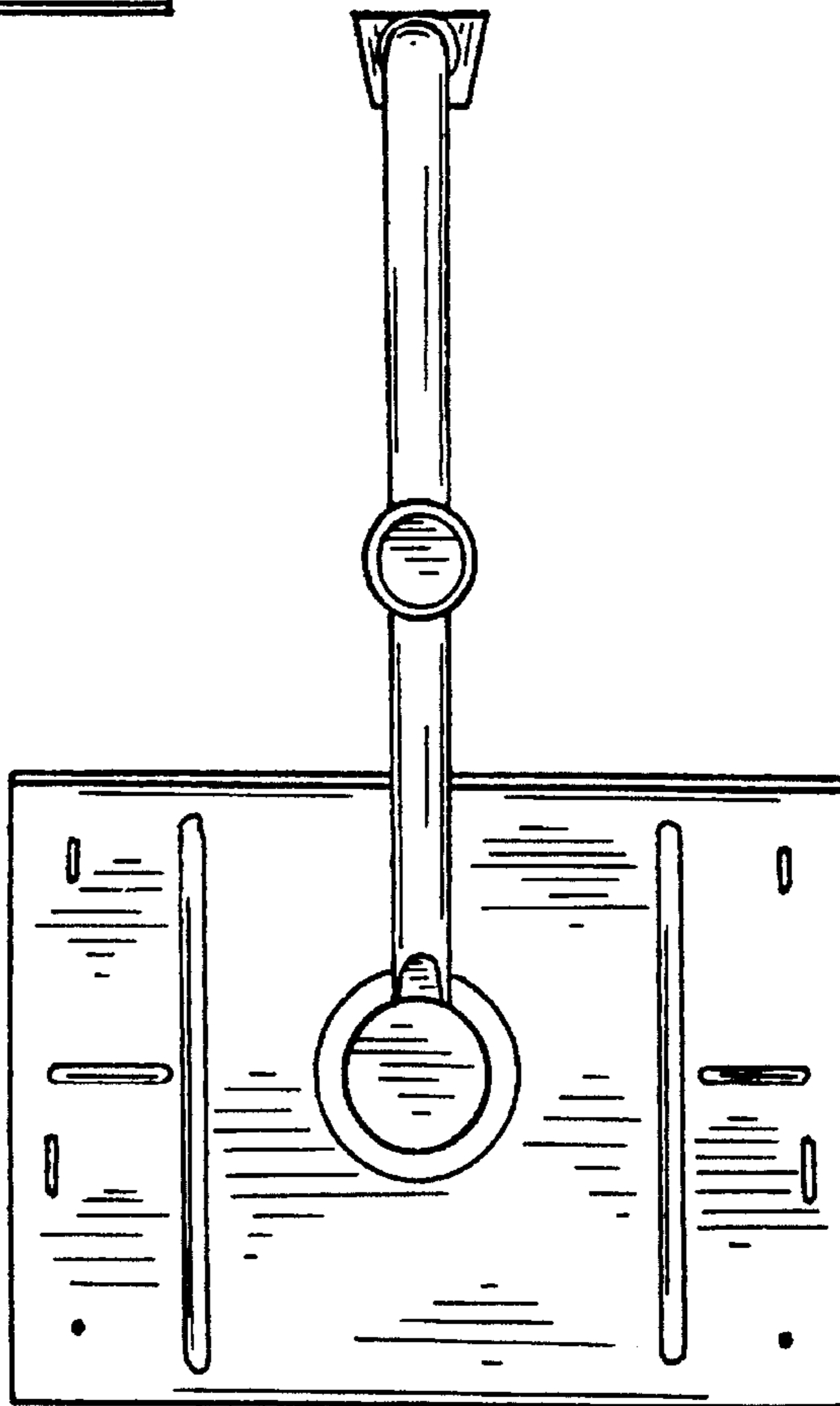


FIG. 7