



US00D373070S

United States Patent [19]

Kriegstein

[11] Patent Number: **Des. 373,070**

[45] Date of Patent: ****Aug. 27, 1996**

[54] **ROTATABLE CONCRETE SPACER**

5,269,113 12/1963 Dreizler 52/649.1

[76] Inventor: **Stewart B. Kriegstein**, 2929 Sailor Ave., Ventura, Calif. 93001

FOREIGN PATENT DOCUMENTS

[**] Term: **14 Years**

1434881 2/1966 France .
814218 9/1951 Germany .

[21] Appl. No.: **42,867**

Primary Examiner—Holly H. Baynham
Attorney, Agent, or Firm—Marvin E. Jacobs

[22] Filed: **Aug. 18, 1995**

[57] **CLAIM**

Related U.S. Application Data

The ornamental design for the rotatable concrete spacer, as shown and described.

[63] Continuation-in-part of Ser. No. 342,179, Nov. 18, 1994.

DESCRIPTION

[52] **U.S. Cl.** **D8/354**

[58] **Field of Search** D8/354, 71-74,
D8/349; 52/677, 689, 652, 742

FIG. 1 is an isometric top view of the rotatable concrete spacer;

FIG. 2 is an isometric bottom view of the rotatable concrete spacer illustrated in FIG. 1;

FIG. 3 is a top plan view of the rotatable concrete spacer shown in FIG. 1;

FIG. 4 is a right side view in elevation of the rotatable concrete spacer shown in FIG. 1;

FIG. 5 is a left side view in elevation of the rotatable concrete spacer shown in FIG. 1;

FIG. 6 is an end view in elevation of the rotatable concrete spacer shown in FIG. 1, the bottom view being identical thereto; and,

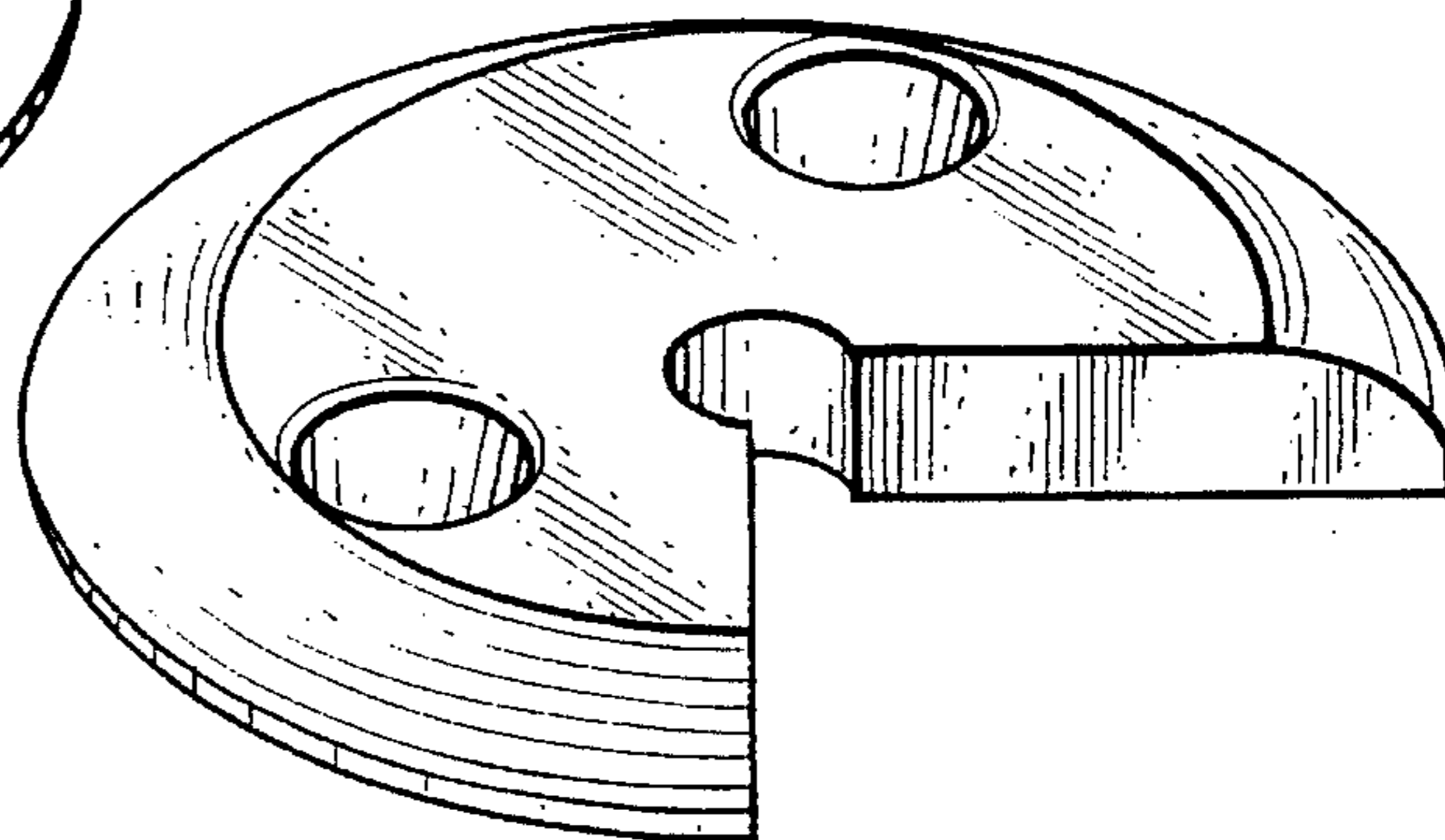
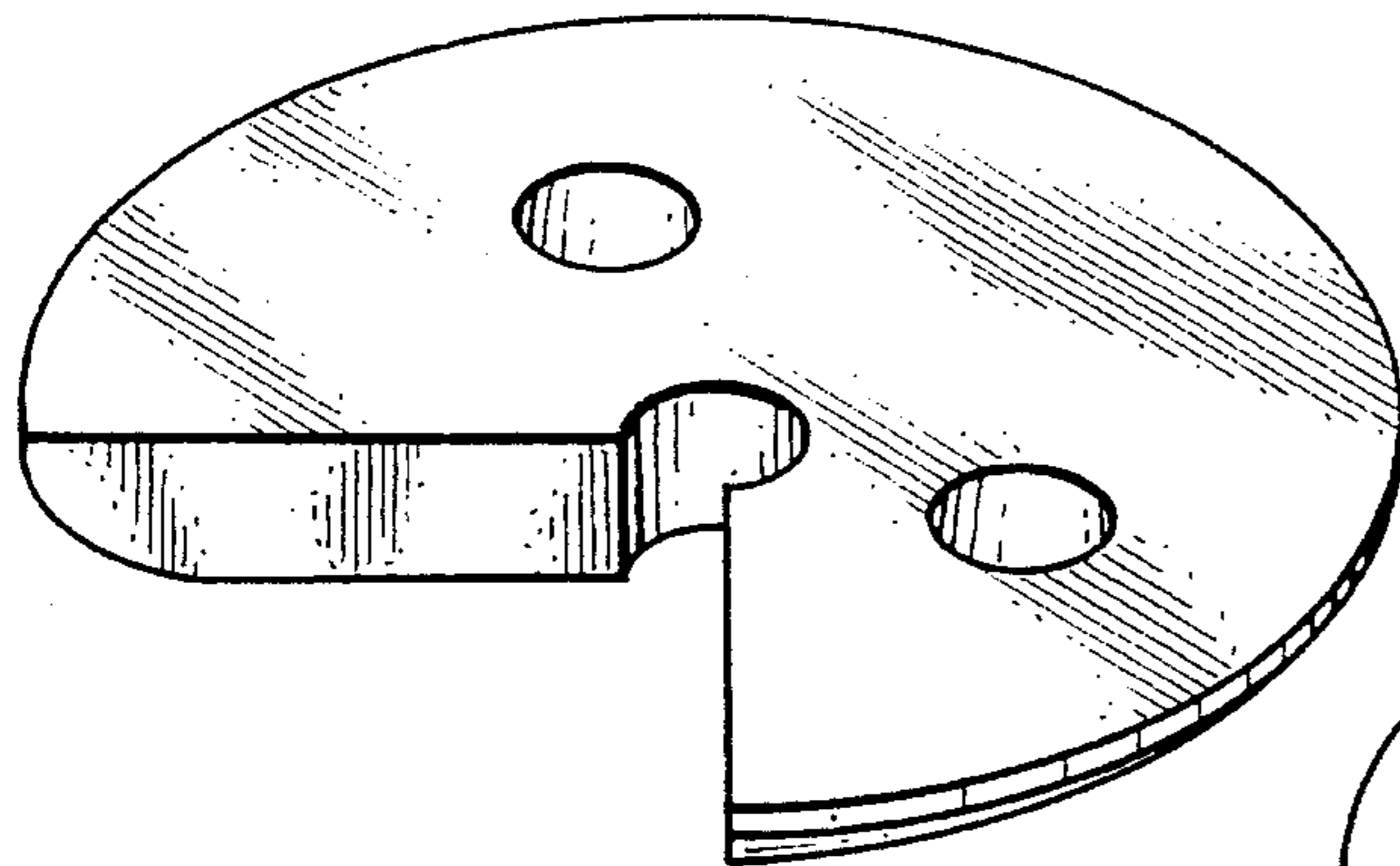
FIG. 7 is a bottom plan view of the rotatable concrete spacer shown in FIG. 1.

[56] References Cited

U.S. PATENT DOCUMENTS

D. 243,655	3/1977	Matousek et al.	D8/354
D. 315,667	3/1991	Johnson	D8/354
D. 316,954	5/1991	Glaser et al.	D8/349 X
D. 330,507	10/1992	Foubister	D8/360
849,922	4/1907	Scofield .	
1,366,053	1/1921	Bingham .	
1,708,277	4/1929	Martin .	
1,946,418	2/1934	Welch .	
3,044,217	7/1962	Berry .	
3,257,767	6/1966	Lassy	52/652
3,471,986	10/1969	Swenson	52/652
4,627,211	12/1986	Foster, Jr.	52/652
4,741,143	5/1988	Foster, Jr.	52/677

1 Claim, 1 Drawing Sheet



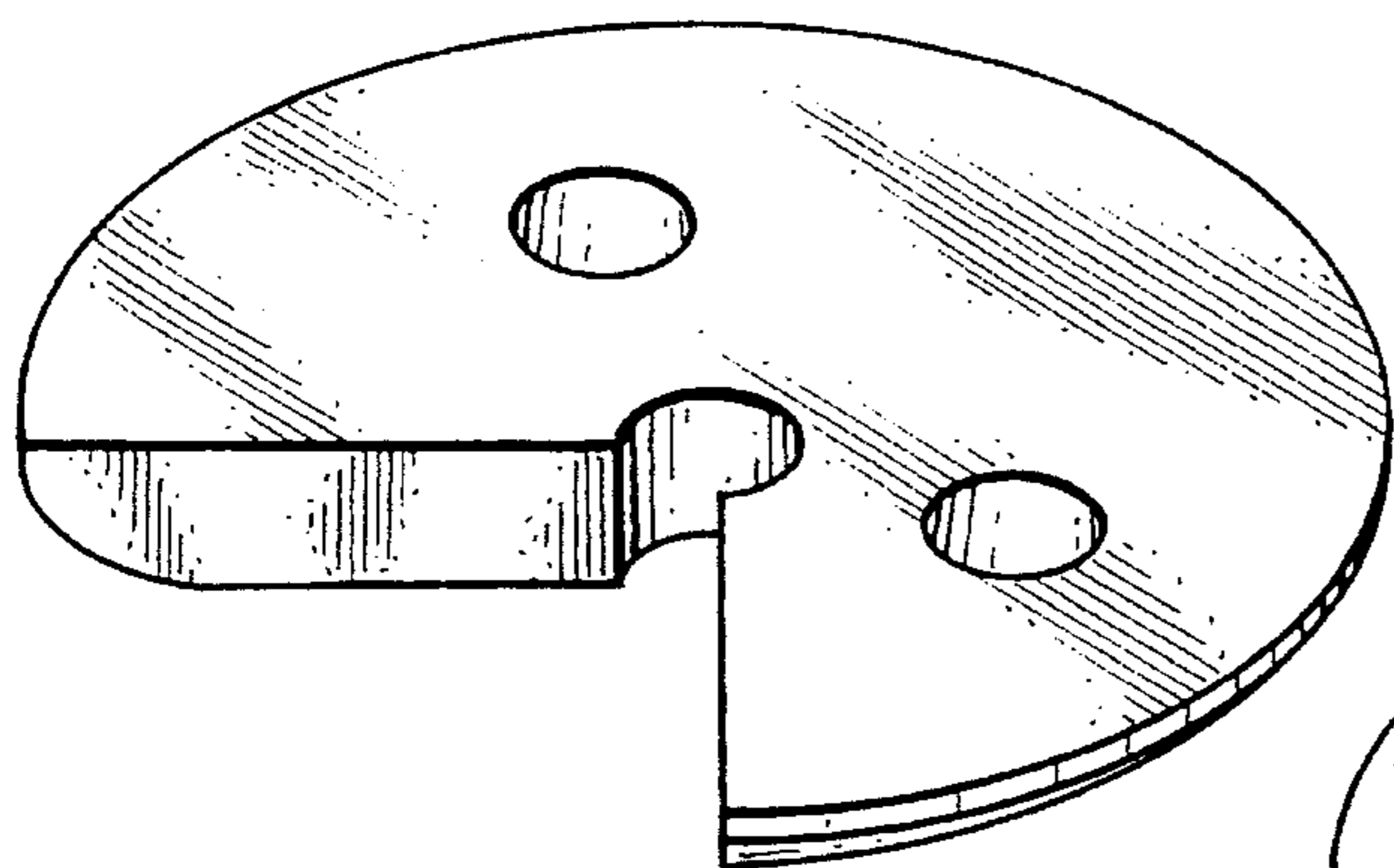


Fig. 1.

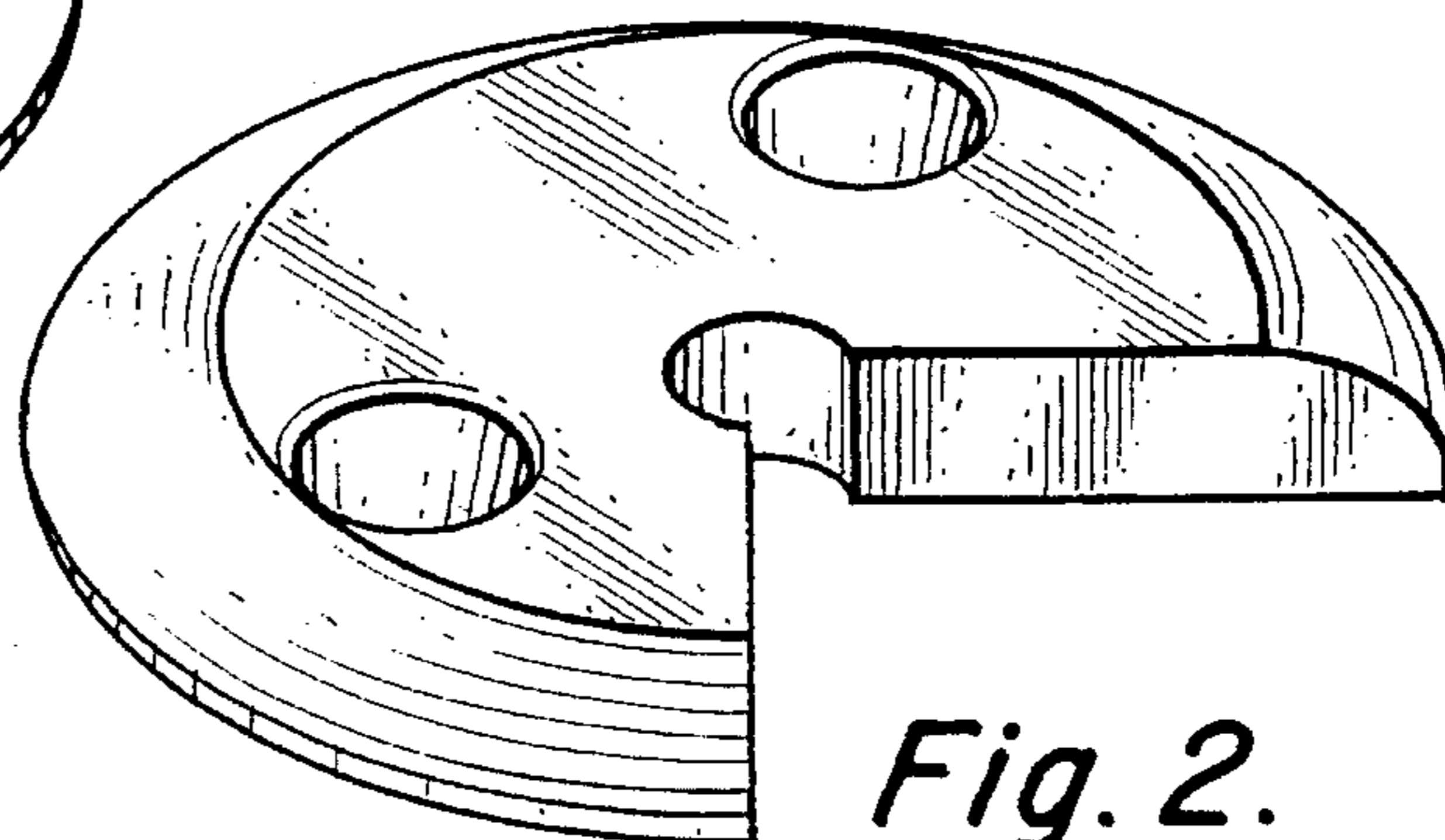


Fig. 2.

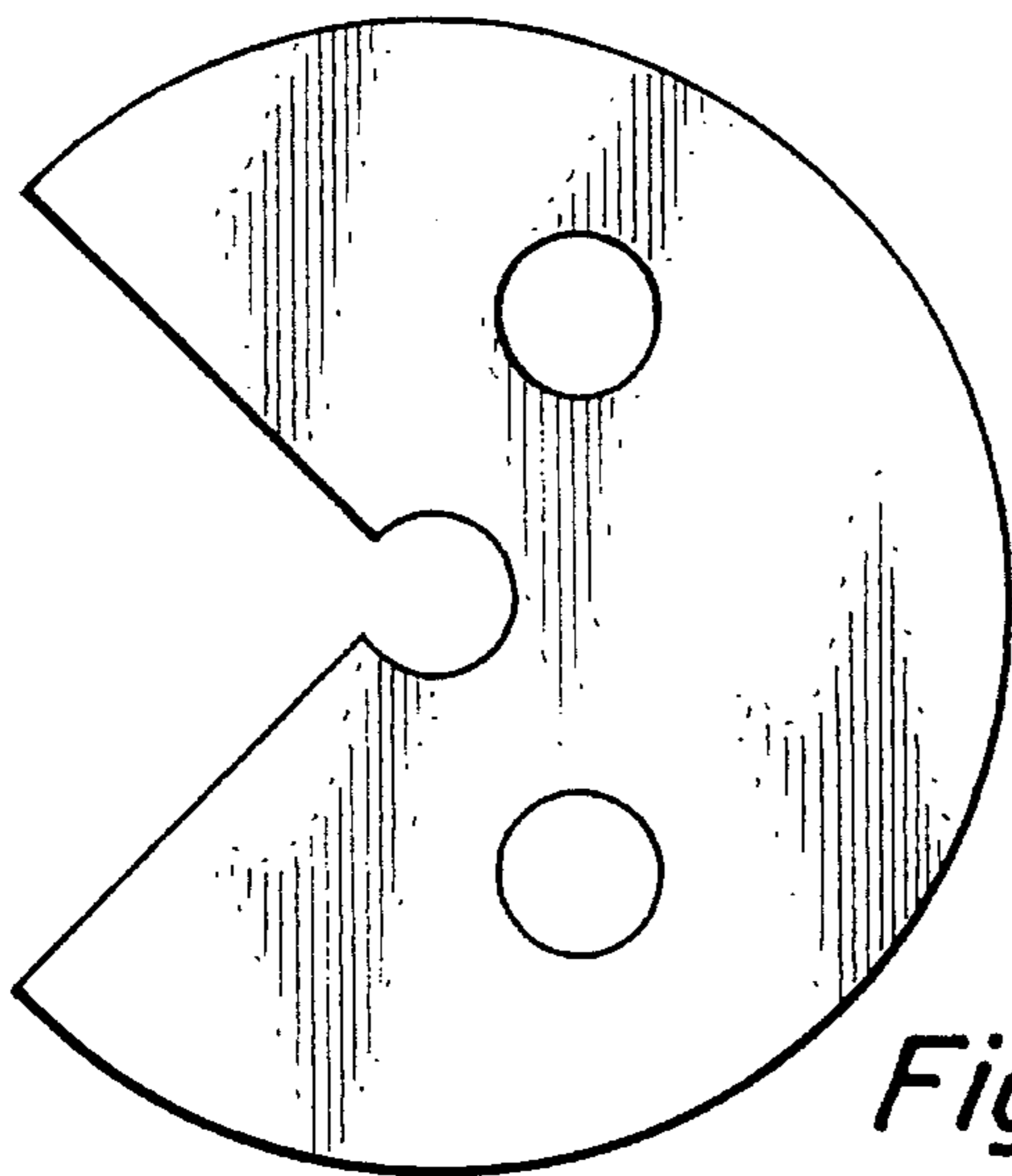


Fig. 3.



Fig. 4.



Fig. 5.

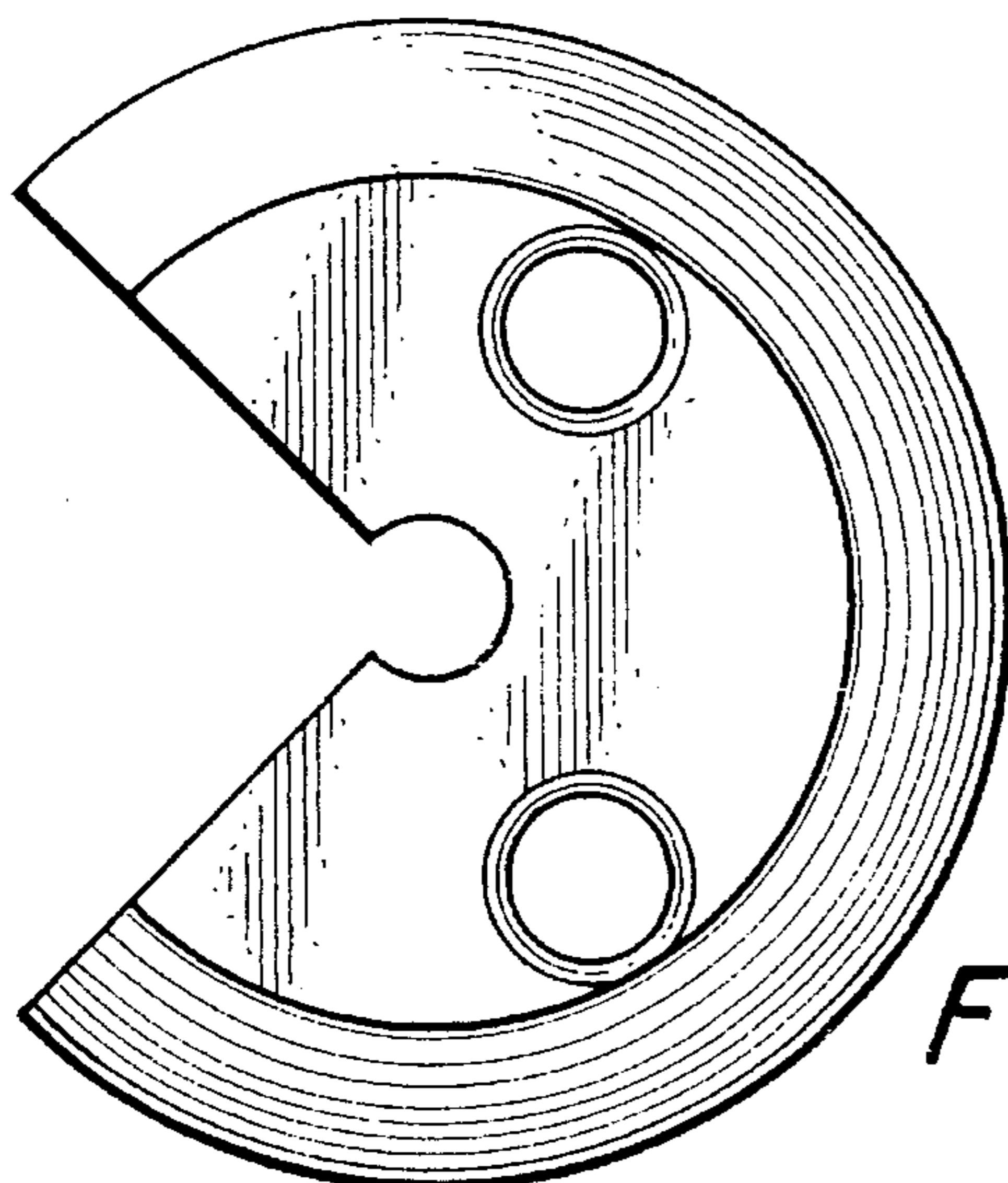


Fig. 7.

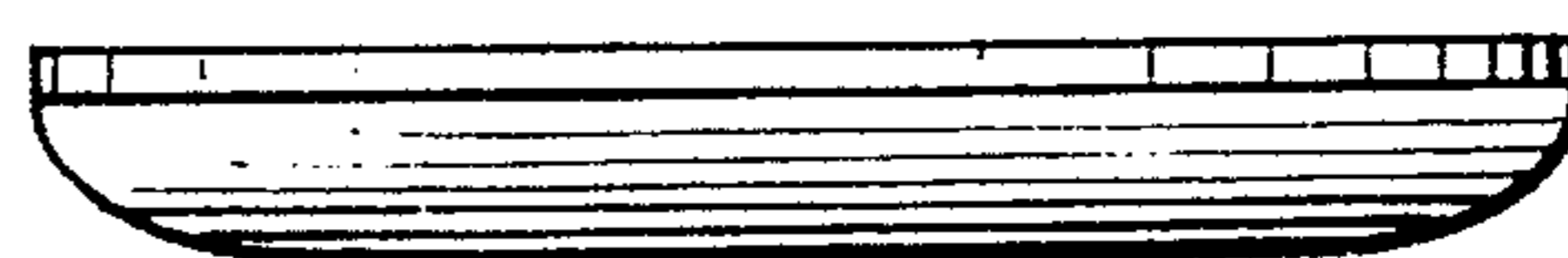


Fig. 6.