



US00D373069S

**United States Patent** [19]  
**McCarthy**

[11] **Patent Number: Des. 373,069**

[45] **Date of Patent: \*\*Aug. 27, 1996**

[54] **INSERT FOR MOUNTING A DECORATIVE  
FIGURE ONTO AN ANTENNA**

4,678,011 7/1987 Weber ..... 138/96 R

[76] Inventor: **John McCarthy**, 16912 Westwood La.  
#31, Huntington Beach, Calif. 92647

*Primary Examiner*—A. Hugo Word  
*Assistant Examiner*—Holly H. Baynham  
*Attorney, Agent, or Firm*—Patent Law & Venture Group;  
Gene Scott

[\*\*] Term: **14 Years**

[57] **CLAIM**

[21] Appl. No.: **32,459**

The ornamental design for a insert for mounting a decorative figure onto an antenna, as shown and described.

[22] Filed: **Dec. 19, 1994**

[52] U.S. Cl. .... **D8/354**

**DESCRIPTION**

[58] **Field of Search** ..... D8/354, 349, 386;  
138/96 R; 52/301; 16/2; D14/238

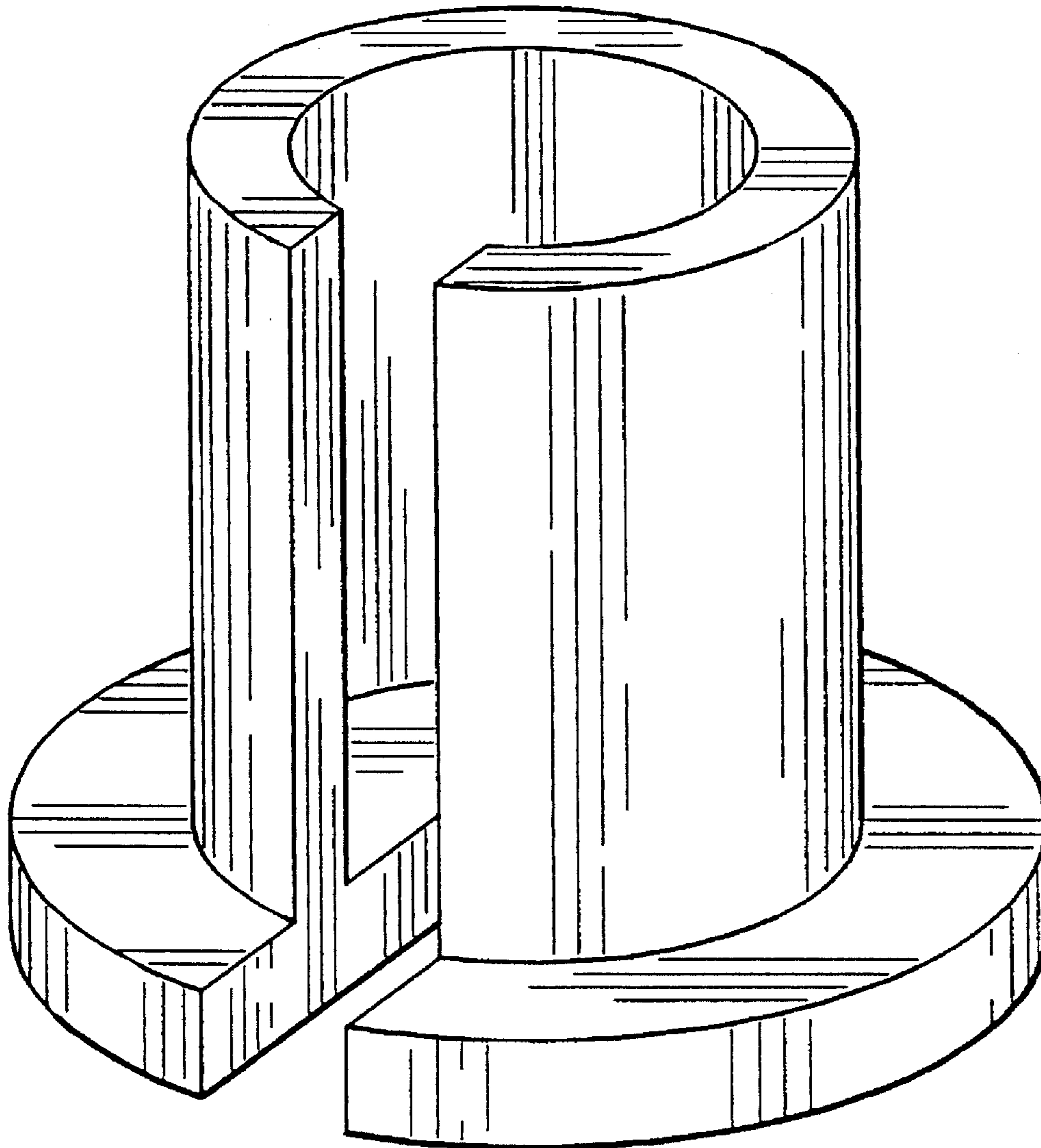
FIG. 1 is a perspective view of a insert for mounting a decorative figure onto an antenna, showing my new design; FIG. 2 is a front elevational view thereof; FIG. 3 is a rear elevational view thereof, the left and right side elevational views being mirror images; FIG. 4 is a top plan view thereof; and, FIG. 5 is a bottom plan view thereof.

[56] **References Cited**

**U.S. PATENT DOCUMENTS**

|            |         |                  |          |
|------------|---------|------------------|----------|
| D. 262,093 | 12/1981 | Bush et al. .... | D8/349 X |
| D. 309,857 | 8/1990  | Fenton ....      | D8/367 X |
| 2,170,718  | 8/1939  | Humphries ....   | 16/2 X   |
| 3,829,184  | 8/1974  | Chevret ....     | 16/2 X   |

**1 Claim, 3 Drawing Sheets**



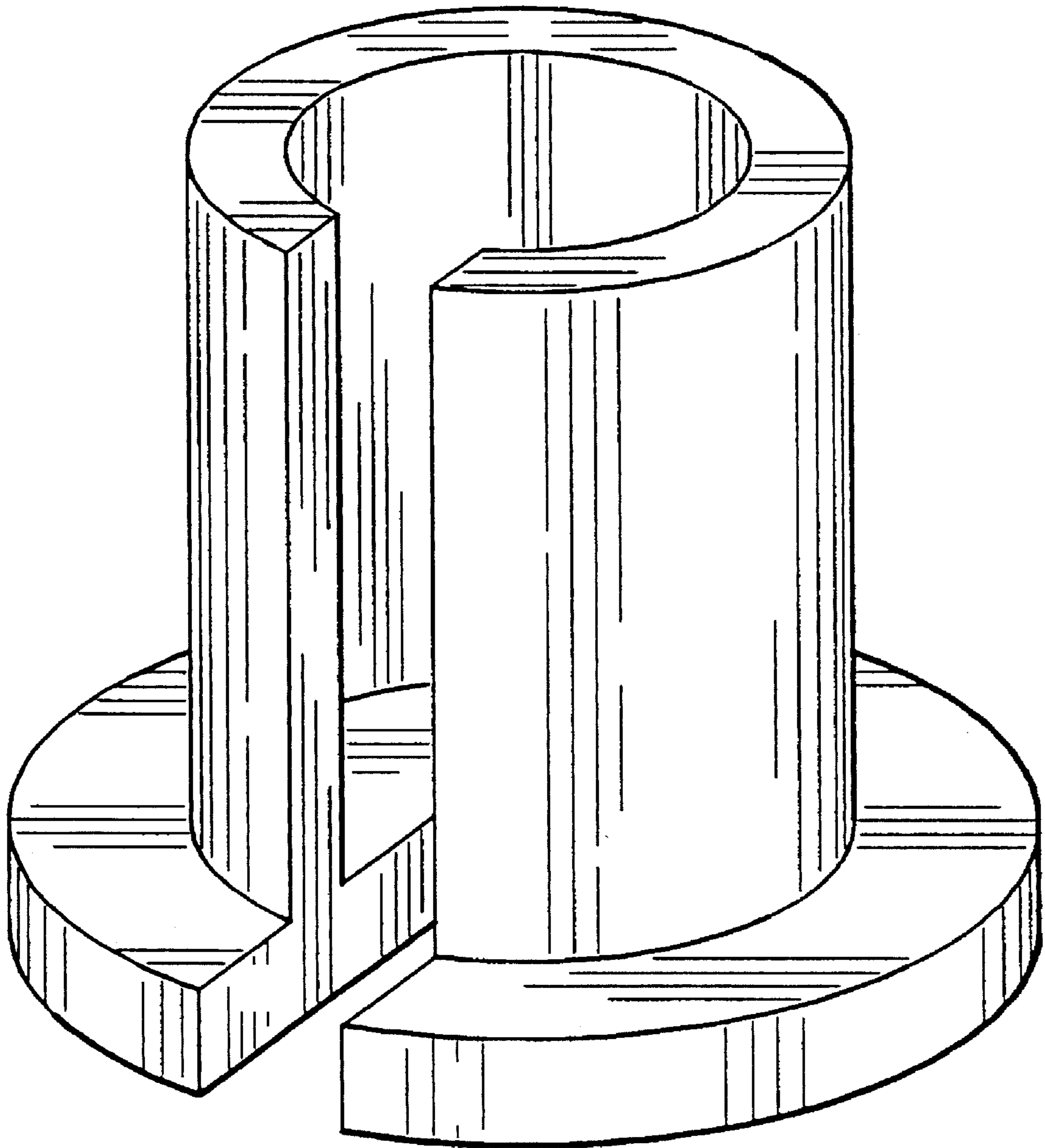


FIG 1

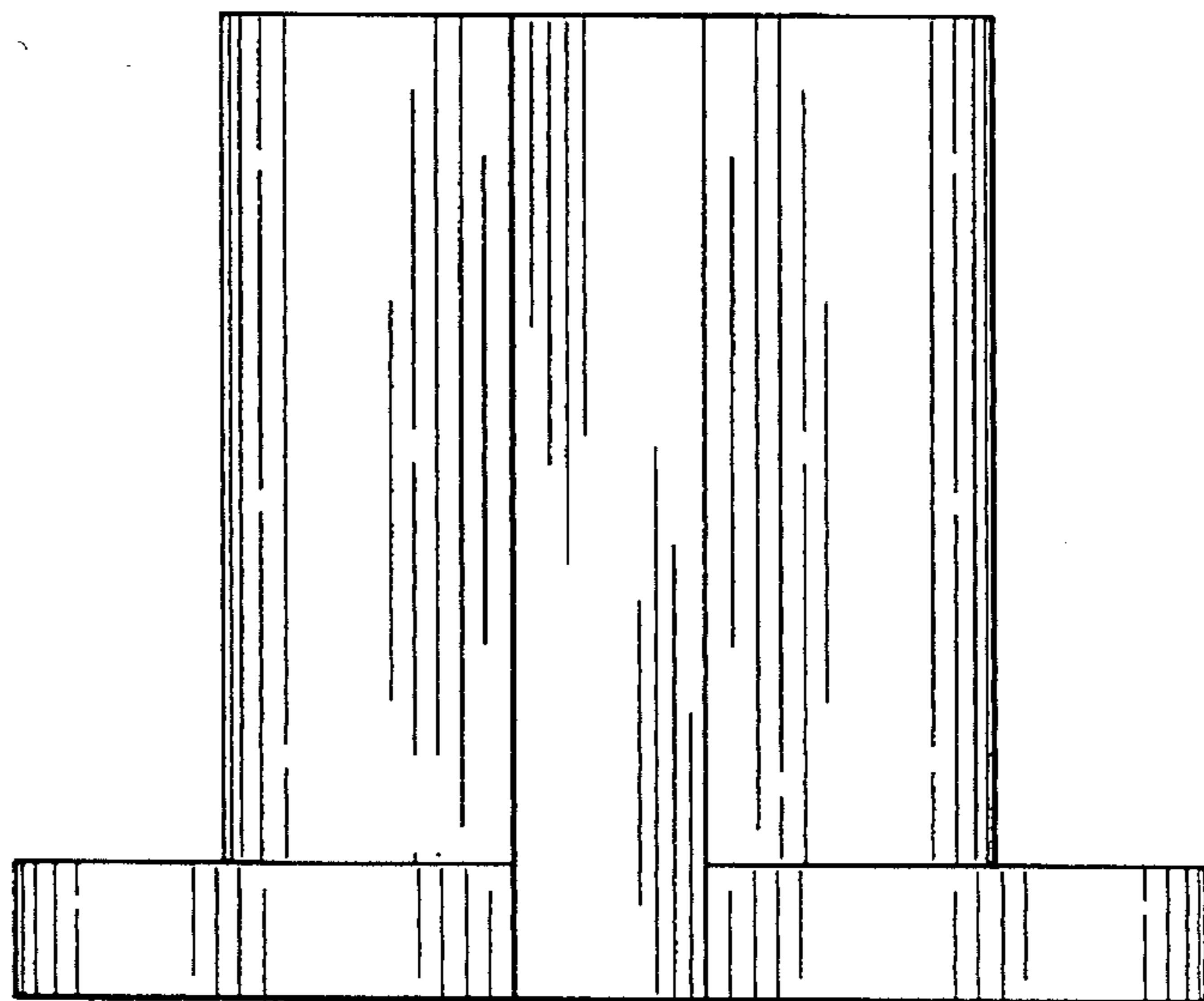


FIG 2

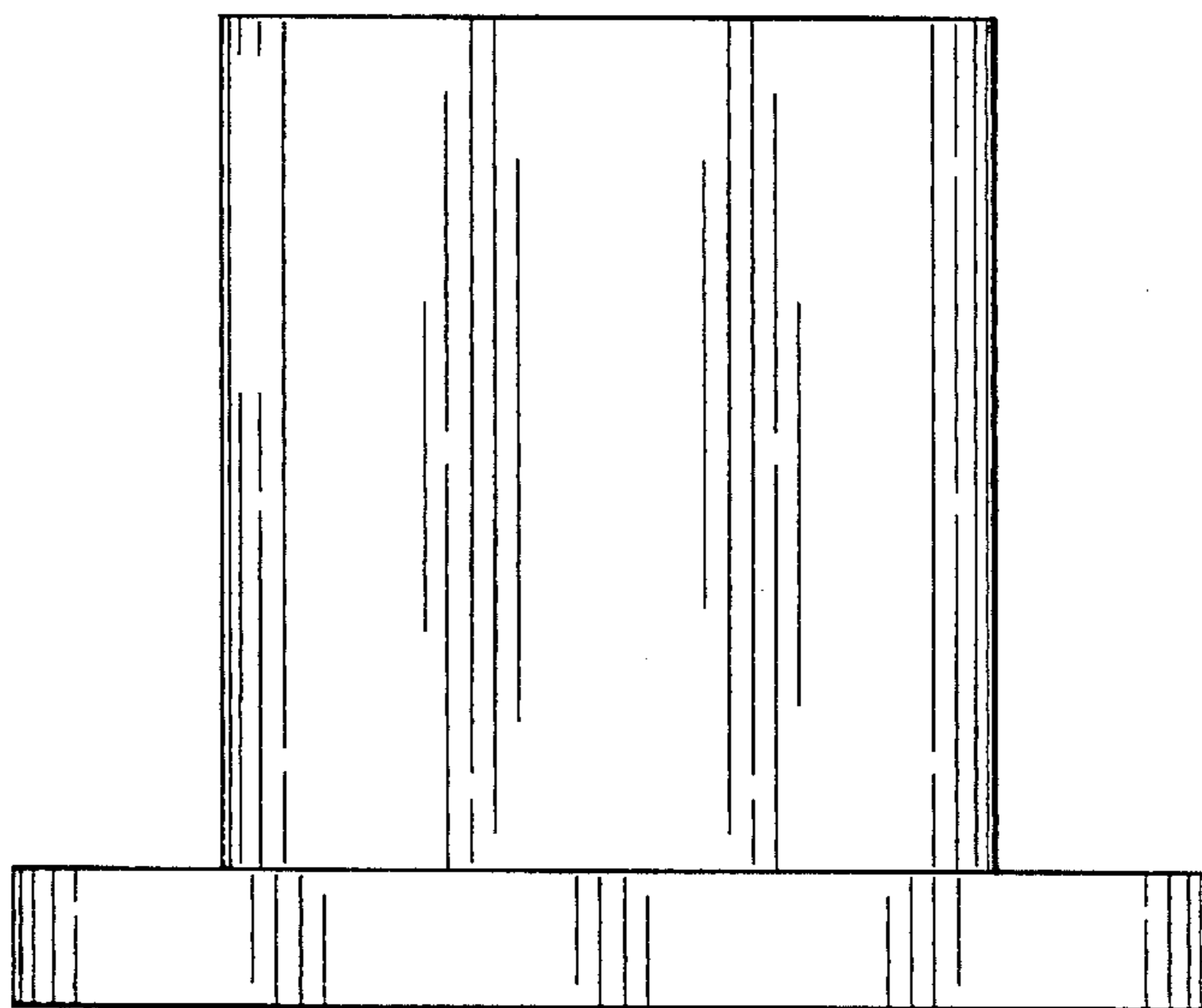


FIG 3

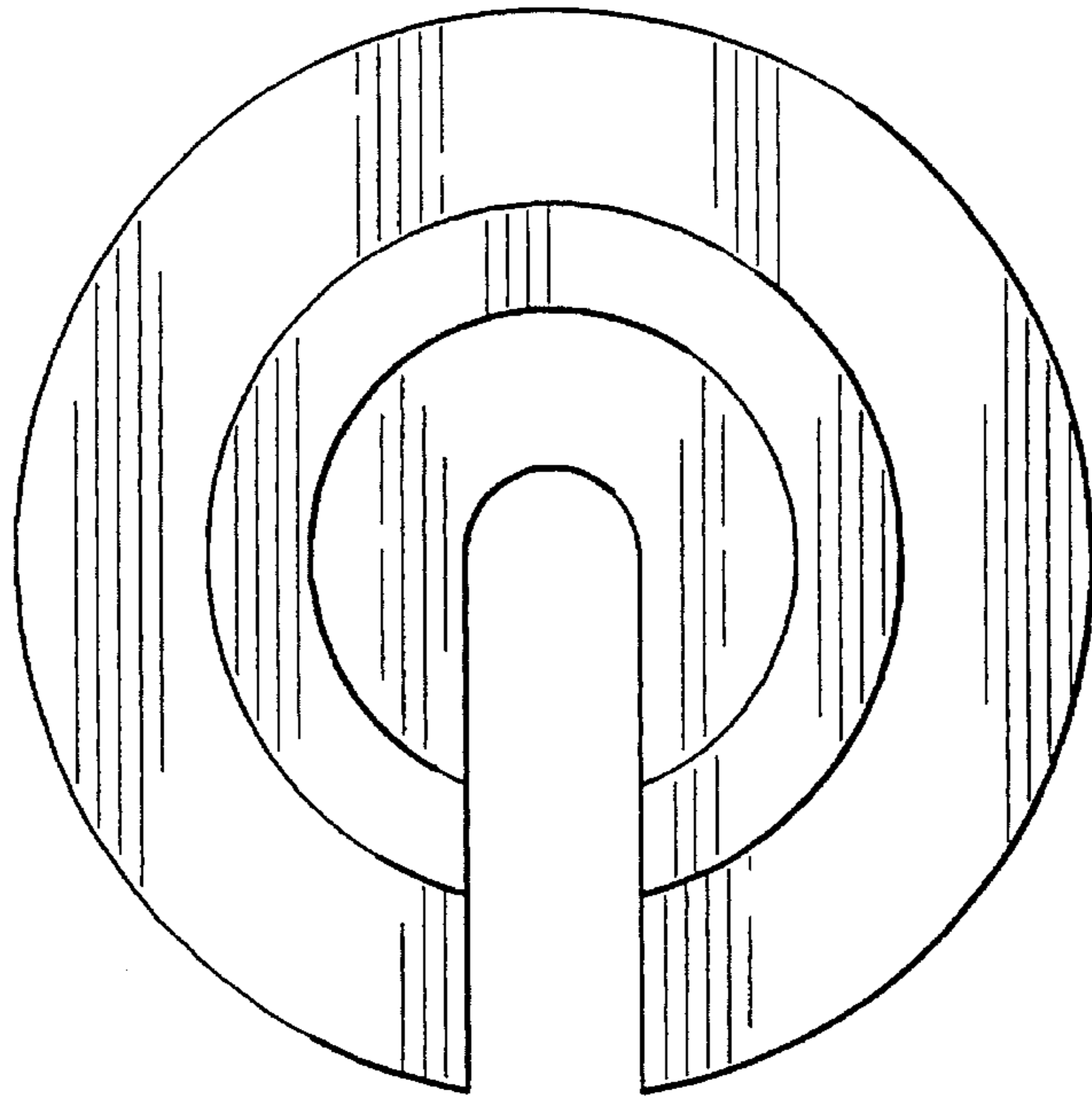


FIG 4

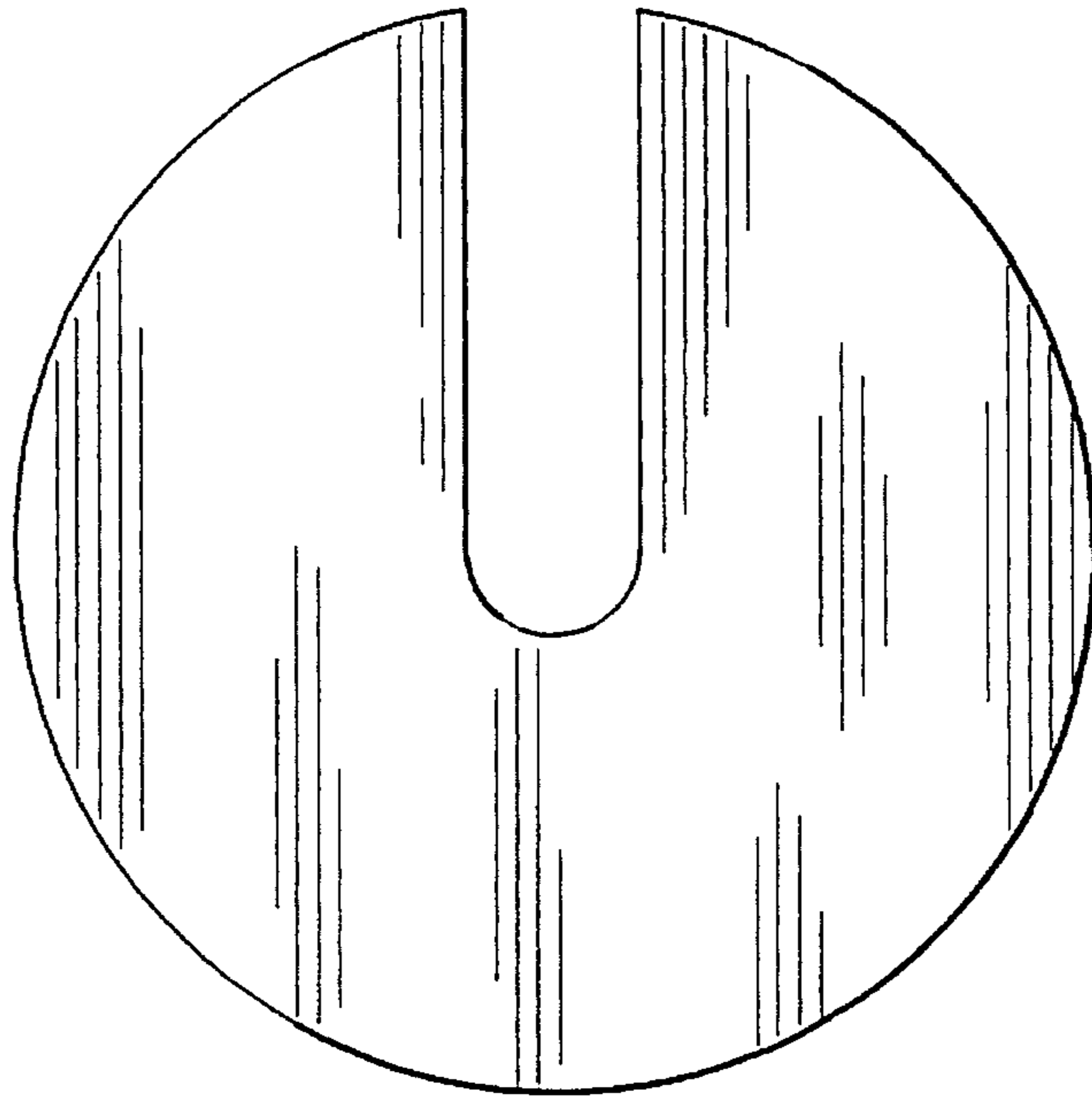


FIG 5