



US00D373068S

United States Patent [19]
Airey

[11] **Patent Number: Des. 373,068**
[45] **Date of Patent: **Aug. 27, 1996**

[54] **DETACHABLE ANCHOR BRACKET FOR A POOL COVER**

[75] Inventor: **Charles W. Airey**, Alden, N.Y.
[73] Assignee: **Envisionairey Products, Inc.**, Alden, N.Y.
[**] Term: **14 Years**
[21] Appl. No.: **35,448**
[22] Filed: **Feb. 27, 1995**

Related U.S. Application Data

[63] Continuation-in-part of Ser. No. 5,917, Mar. 12, 1993, Pat. No. Des. 359,224.
[52] **U.S. Cl.** **D8/349**
[58] **Field of Search** D8/349, 354, 373, D8/380, 394-395; 248/300, 214-215, 301, 304, 224.3, 224.4, 310; D20/43; D12/223; D25/119, 121

References Cited

U.S. PATENT DOCUMENTS

1,784,716	12/1930	West	248/300	X
2,719,691	10/1955	Vance	248/214	X
3,360,075	12/1967	Gutner	248/301	X
4,008,872	2/1977	Thompson	248/224.2	
5,236,162	8/1993	Desjardins	248/214	

Primary Examiner—A. Hugo Word
Assistant Examiner—Holly H. Baynham
Attorney, Agent, or Firm—Crossetta & Associates

CLAIM

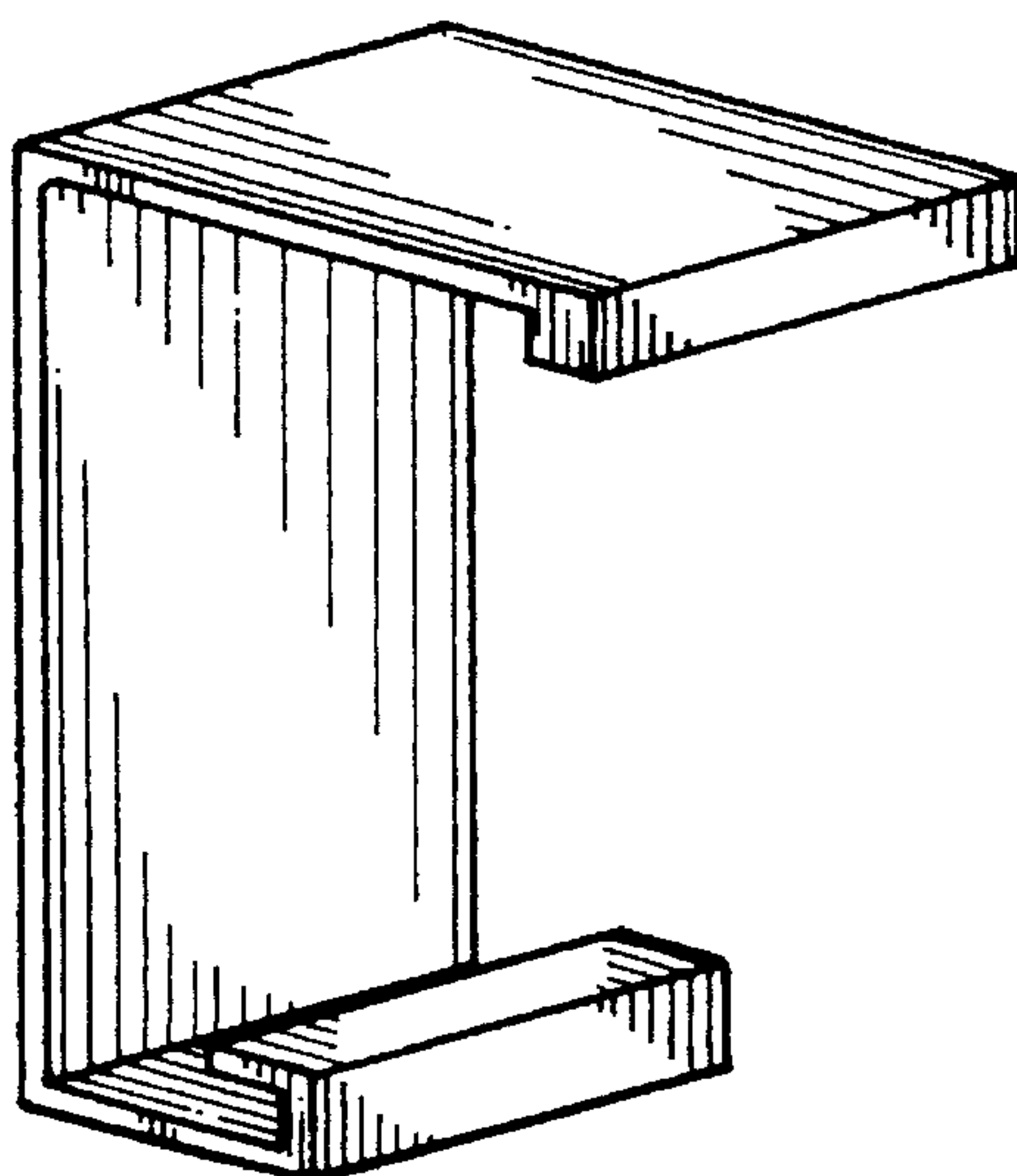
The ornamental design for a detachable anchor bracket for a pool cover, as shown and described.

DESCRIPTION

FIG. 1 is a perspective view of a detachable anchor bracket for a pool cover showing my new design;
FIG. 2 is a front elevational view of FIG. 1;

FIG. 3 is a side elevational view of FIG. 1, with the opposite side being a mirror image thereof;
FIG. 4 is a top plan view of FIG. 1;
FIG. 5 is a bottom plan view of FIG. 1;
FIG. 6 is a rear elevational view of FIG. 1;
FIG. 7 is a perspective view of another embodiment of a detachable anchor bracket for a pool cover of my new design;
FIG. 8 is a front elevational view of FIG. 7;
FIG. 9 is a side elevational view of FIG. 7, with the opposite side being a mirror image thereof;
FIG. 10 is a top plan view of FIG. 7;
FIG. 11 is a bottom plan view of FIG. 7;
FIG. 12 is a rear elevational view of FIG. 7;
FIG. 13 is a perspective view of another embodiment of a detachable anchor bracket for a pool cover of my new design;
FIG. 14 is a front elevational view of FIG. 13;
FIG. 15 is a side elevational view of FIG. 13, with the opposite side being a mirror image thereof;
FIG. 16 is a top plan view of FIG. 13;
FIG. 17 is a bottom plan view of FIG. 13;
FIG. 18 is a rear elevational view of FIG. 13;
FIG. 19 is a perspective view of another embodiment of a detachable anchor bracket for a pool cover of my new design;
FIG. 20 is a front elevational view of FIG. 19;
FIG. 21 is a side elevational view of FIG. 19, with the opposite side being a mirror image thereof;
FIG. 22 is a top plan view of FIG. 19;
FIG. 23 is a bottom plan view of FIG. 19;
FIG. 24 is a rear elevational view of FIG. 19;
FIG. 25 is a perspective view of another embodiment of a detachable anchor bracket for a pool cover of my new design;
FIG. 26 is a front elevational view of FIG. 25;
FIG. 27 is a side elevational view of FIG. 25, with the opposite side being a mirror image thereof;
FIG. 28 is a top plan view of FIG. 25;
FIG. 29 is a bottom plan view of FIG. 25; and,
FIG. 30 is a rear elevational view of FIG. 25.

1 Claim, 5 Drawing Sheets



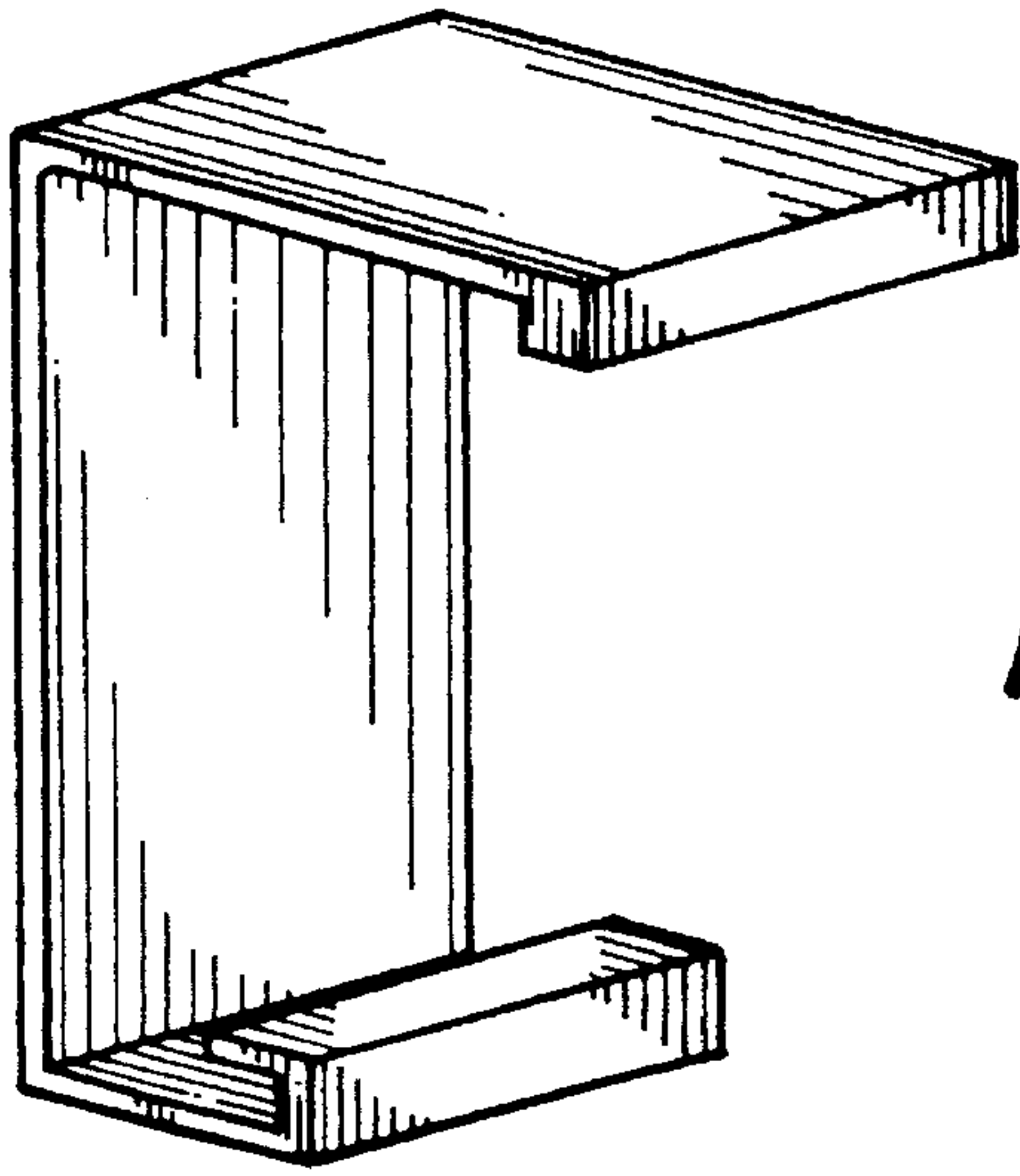


FIG. 1

FIG. 4

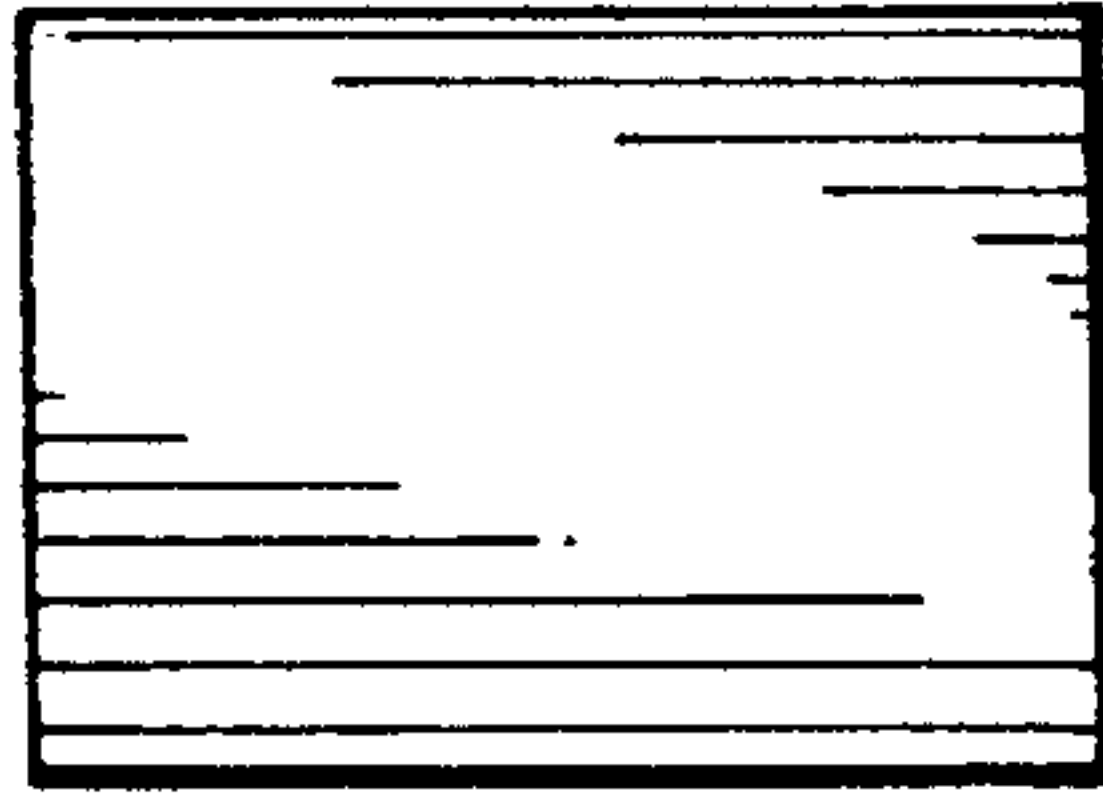


FIG. 6

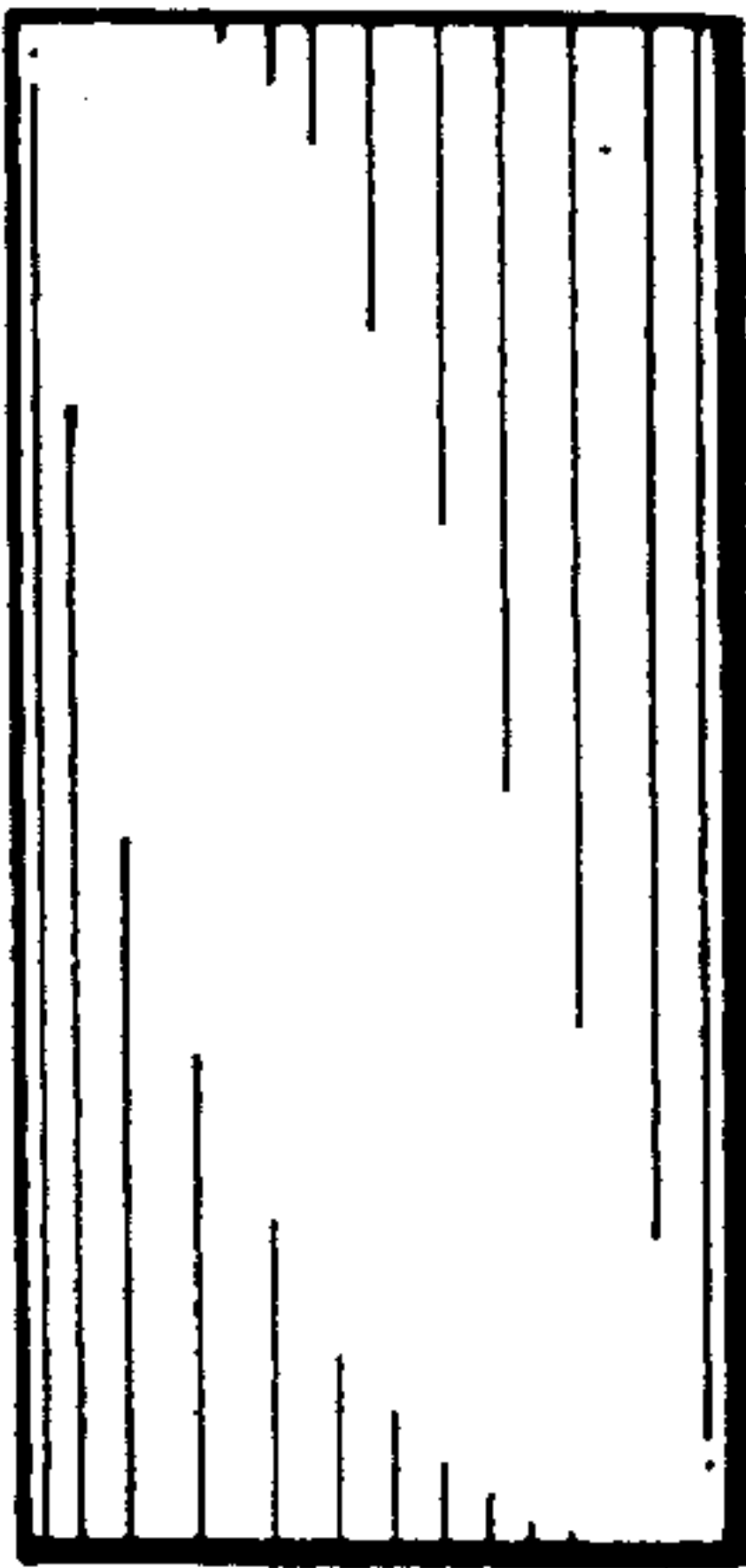


FIG. 3

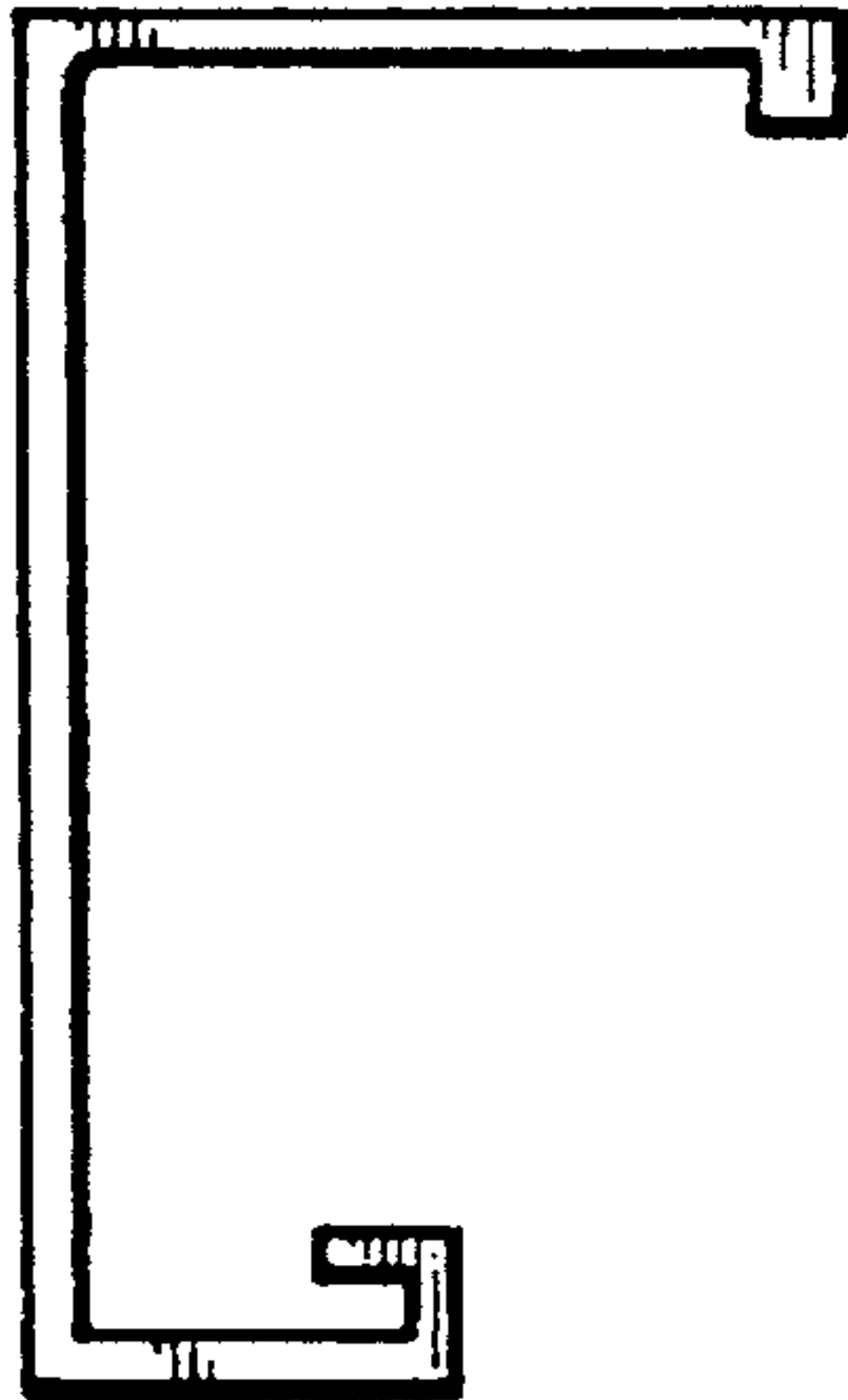


FIG. 2

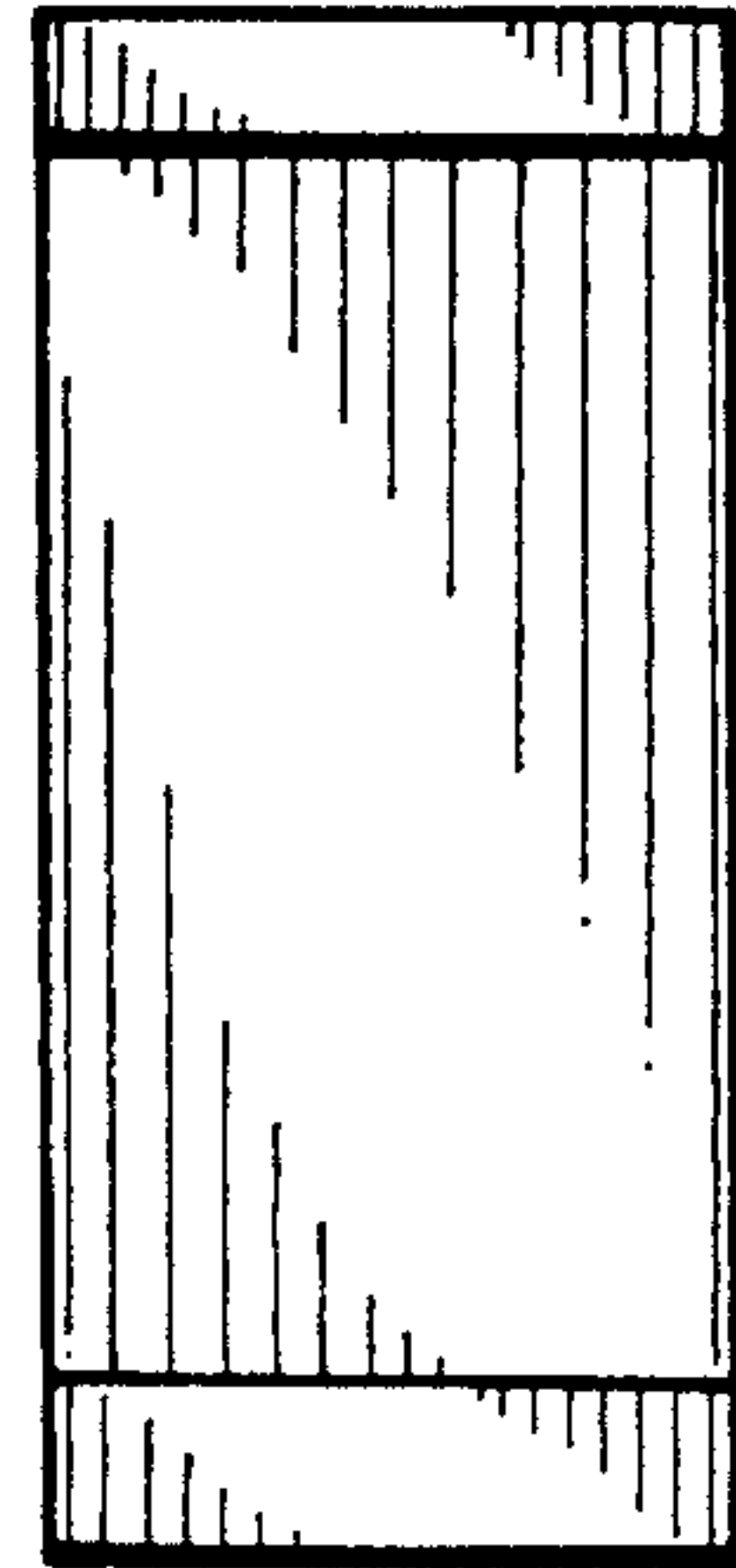
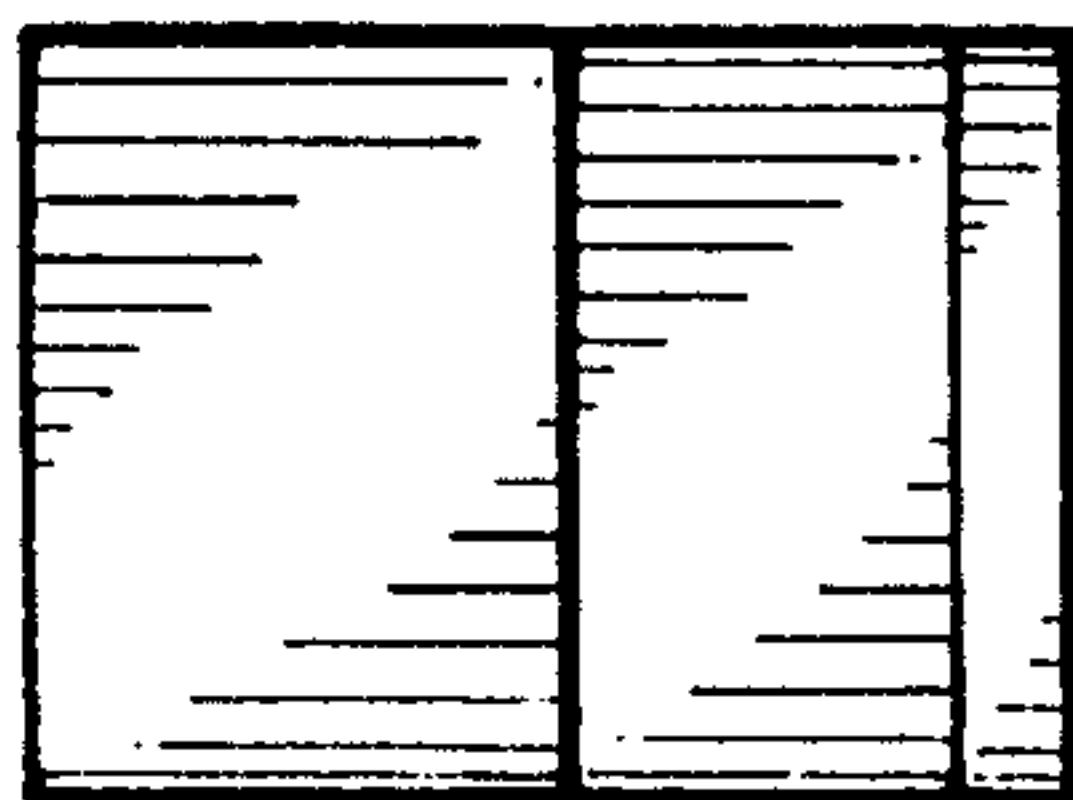


FIG. 5



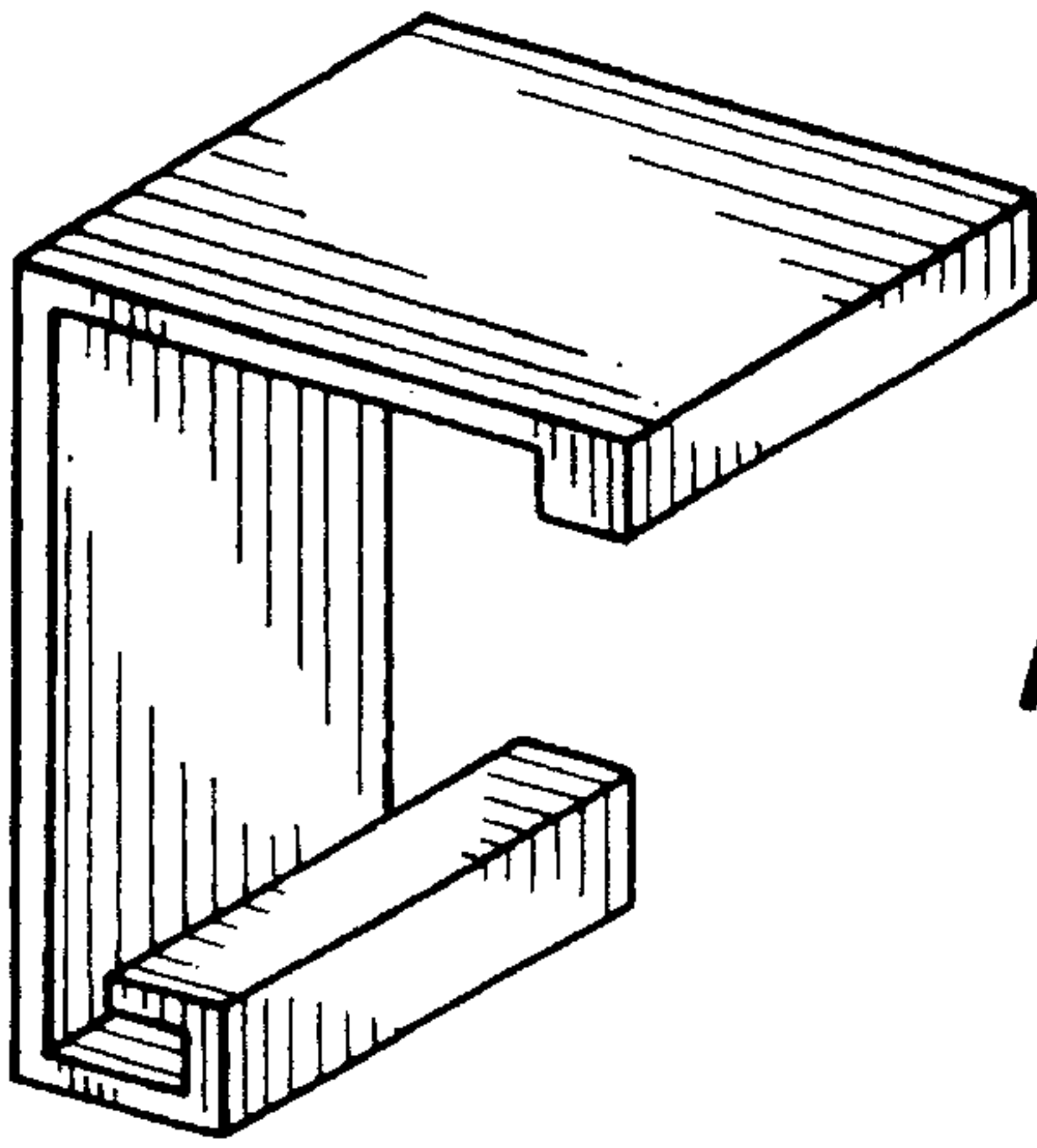


FIG. 7

FIG. 10

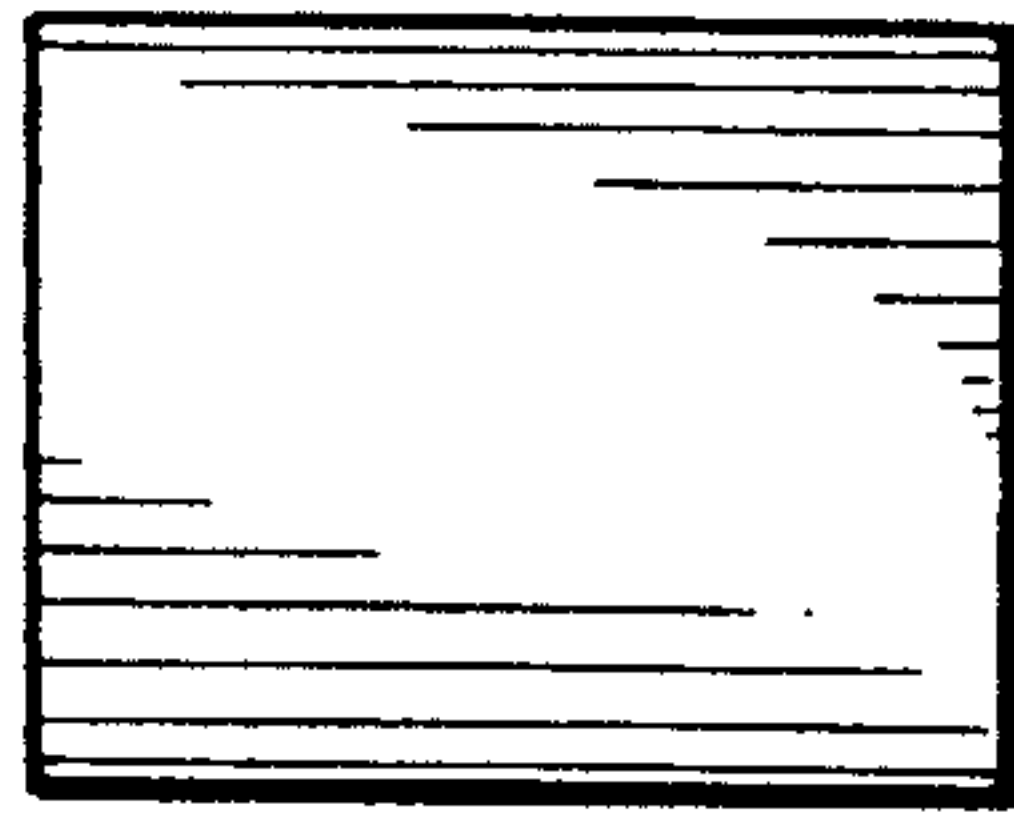


FIG. 12

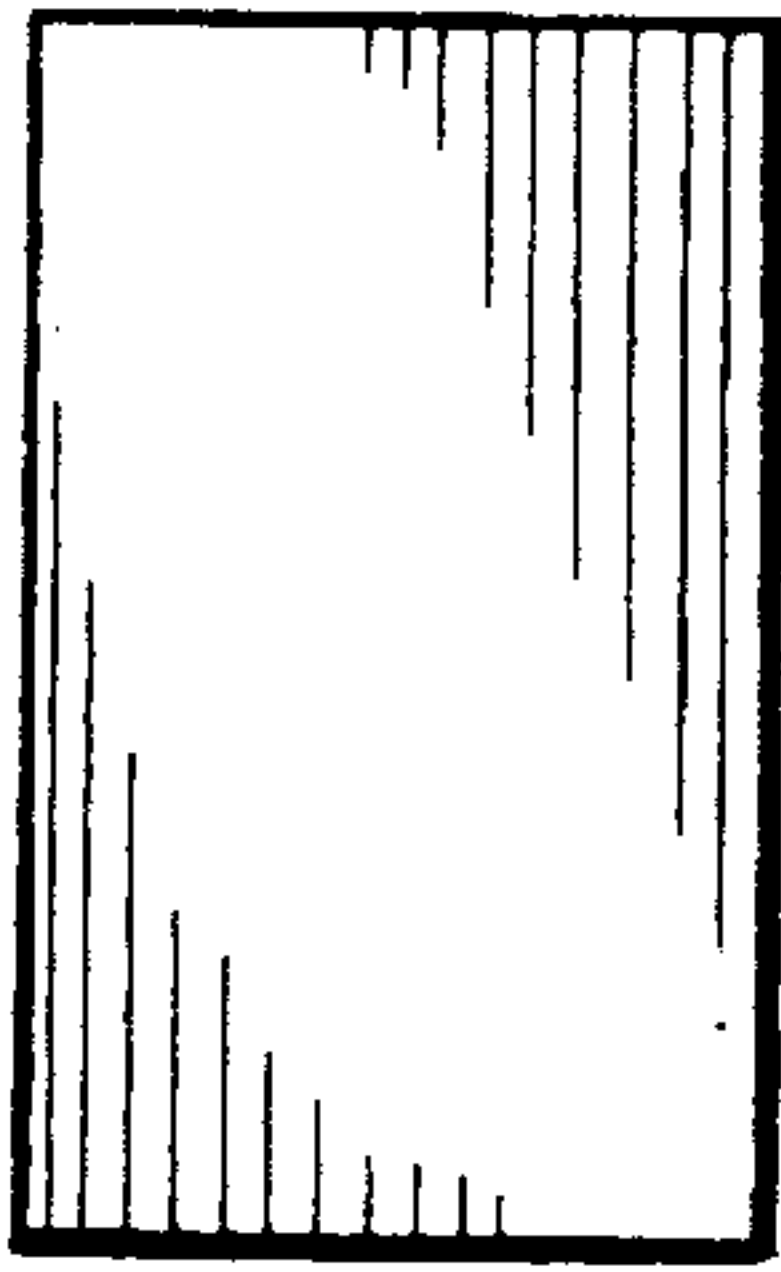


FIG-9

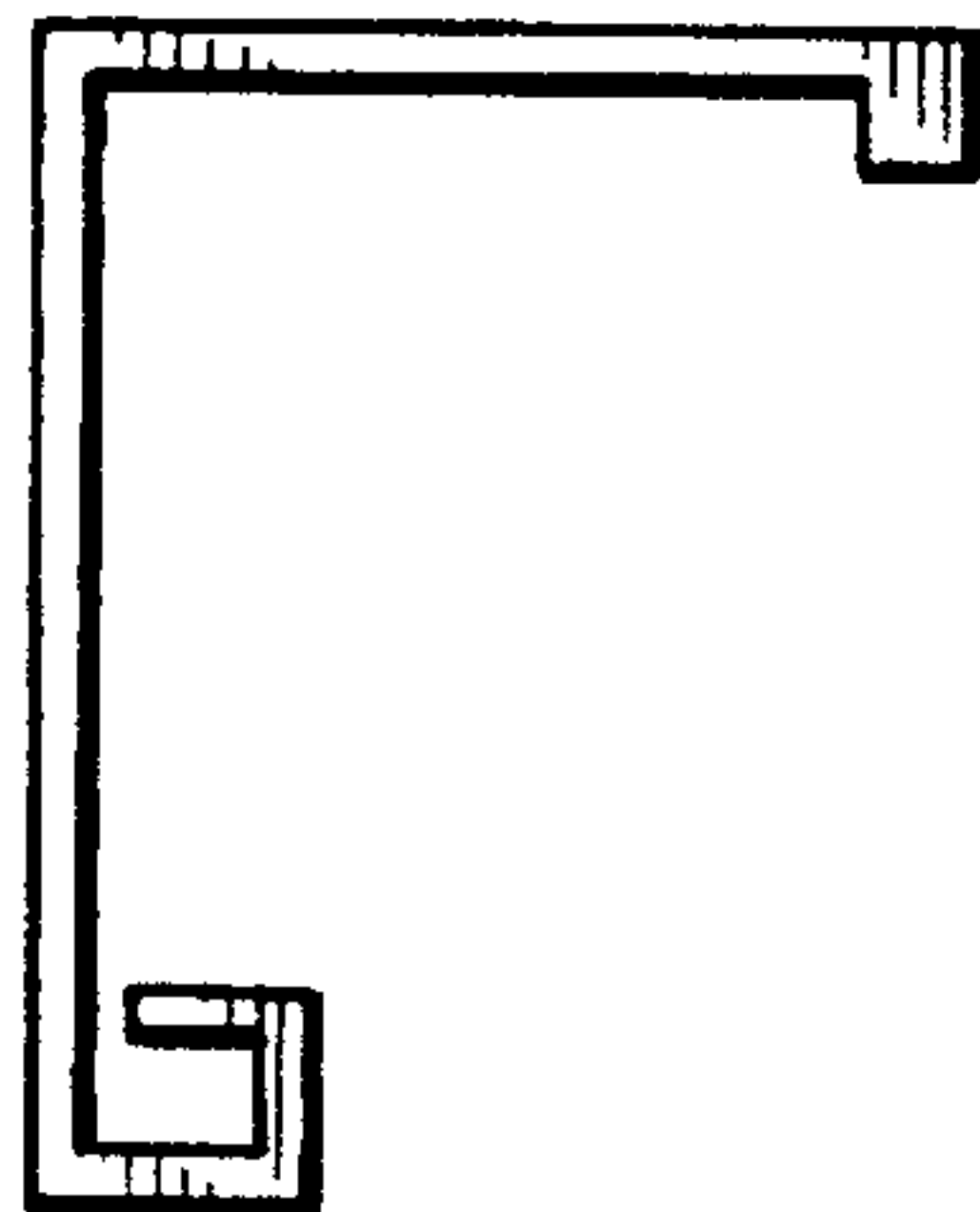


FIG. 8

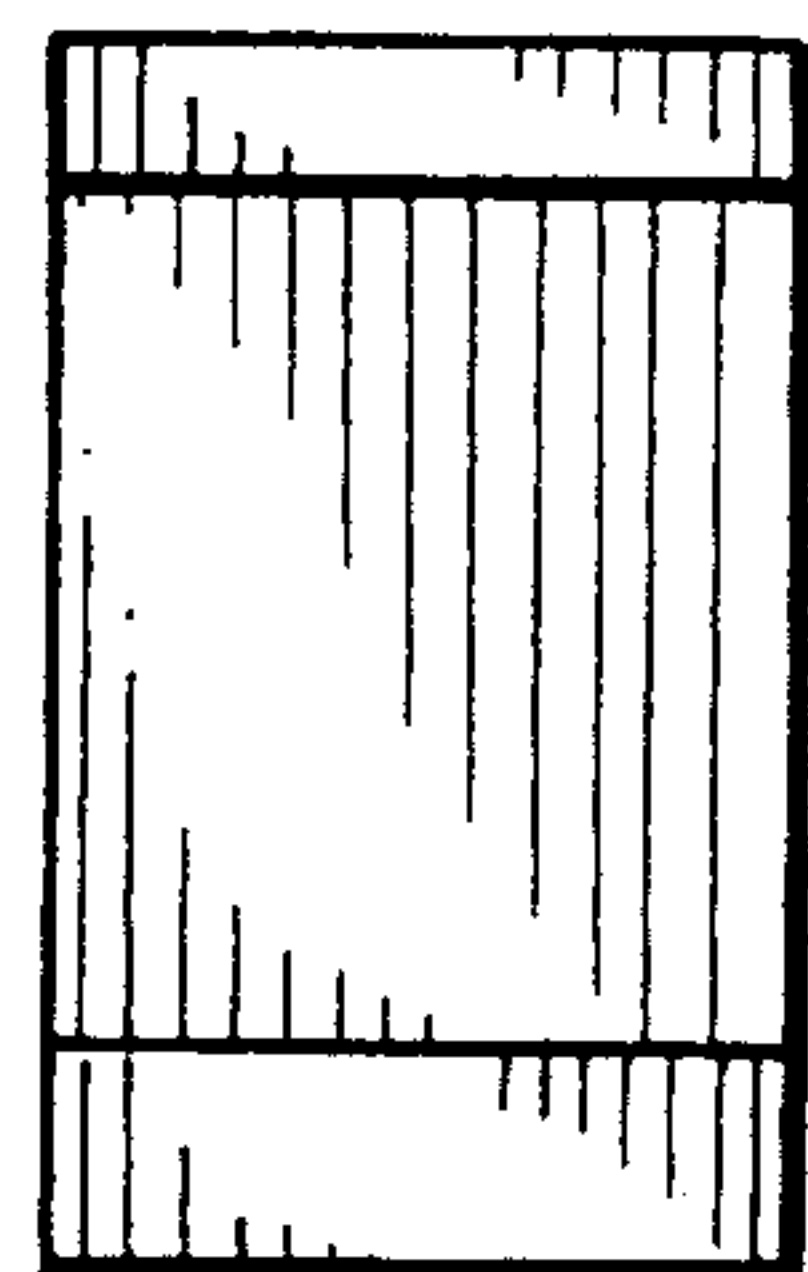
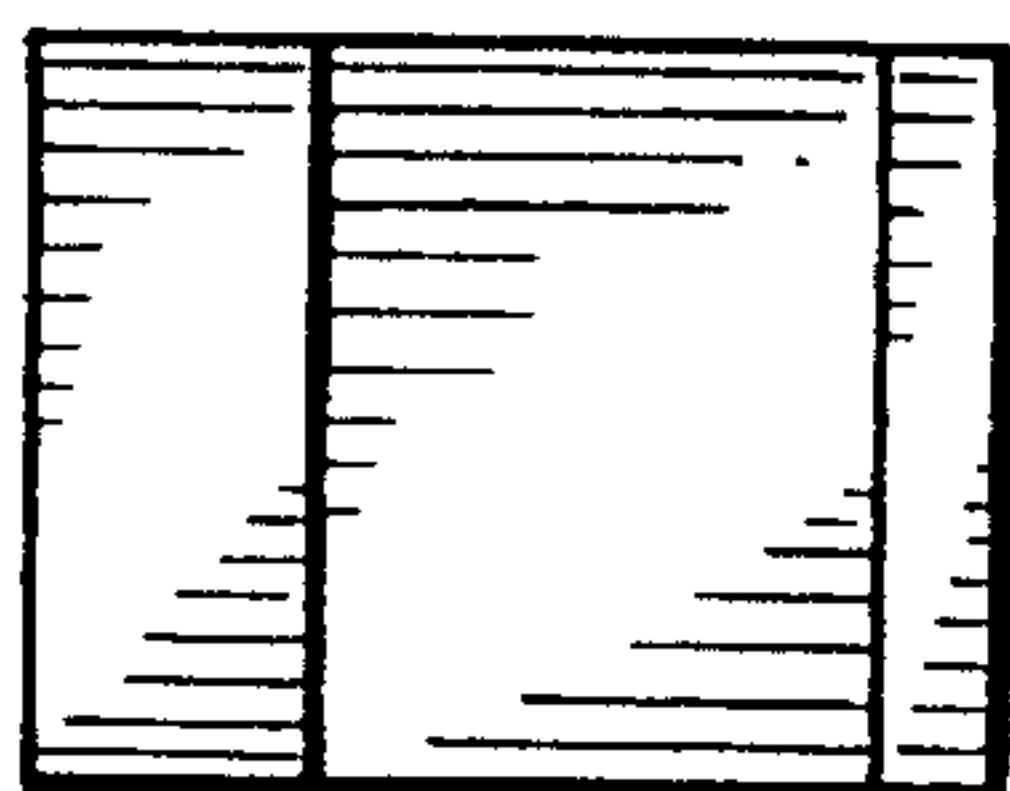


FIG. 11



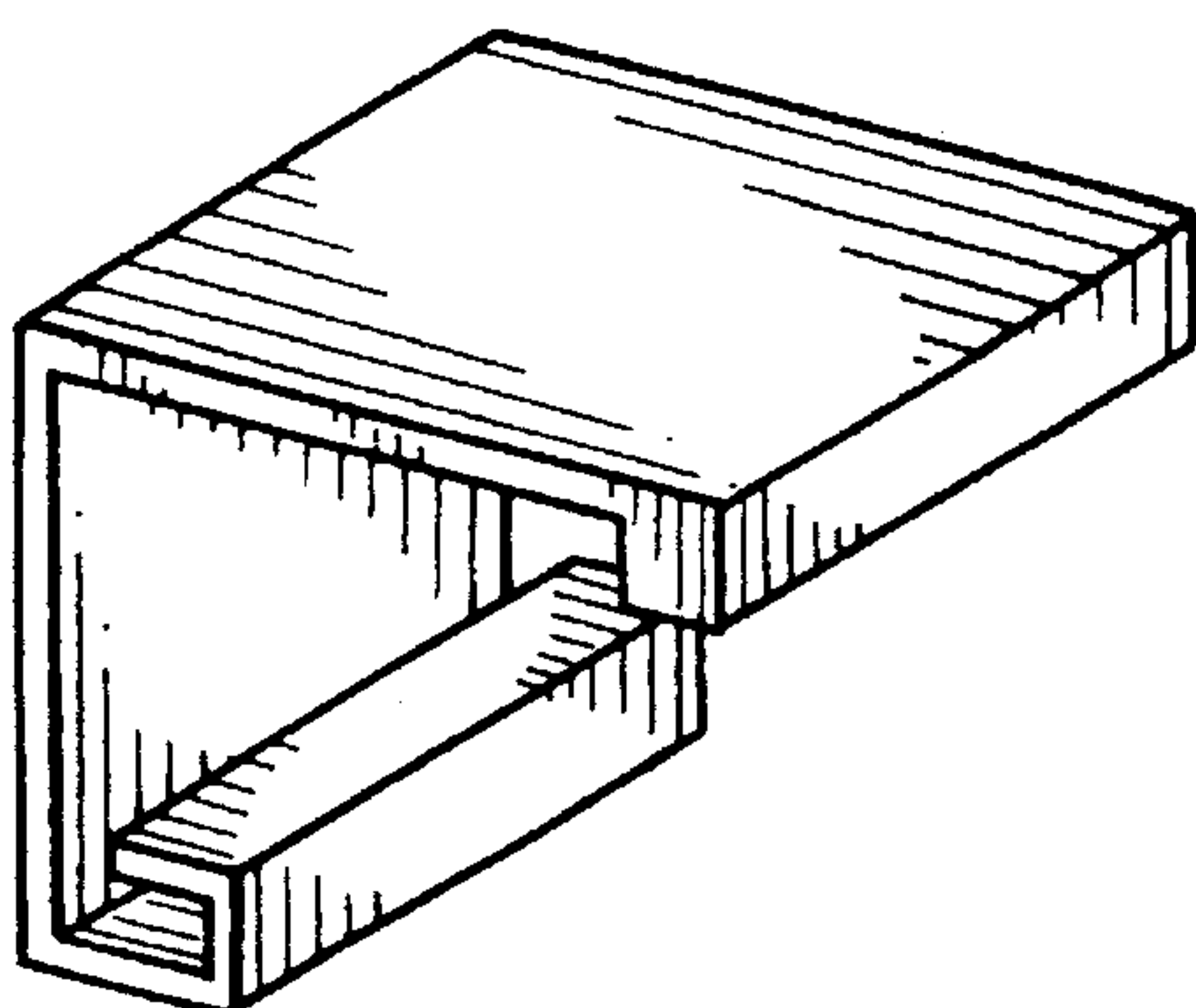


FIG. 13

FIG. 16

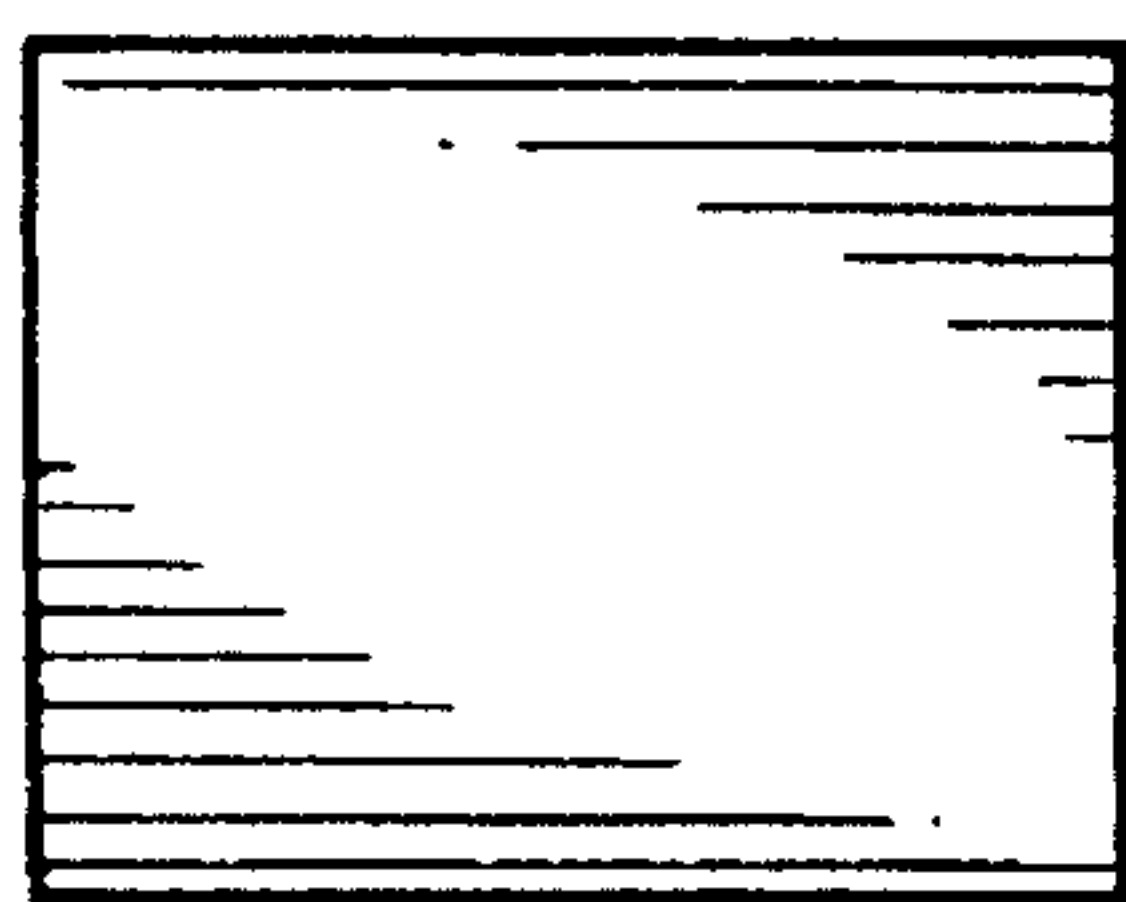


FIG. 18



FIG. 15

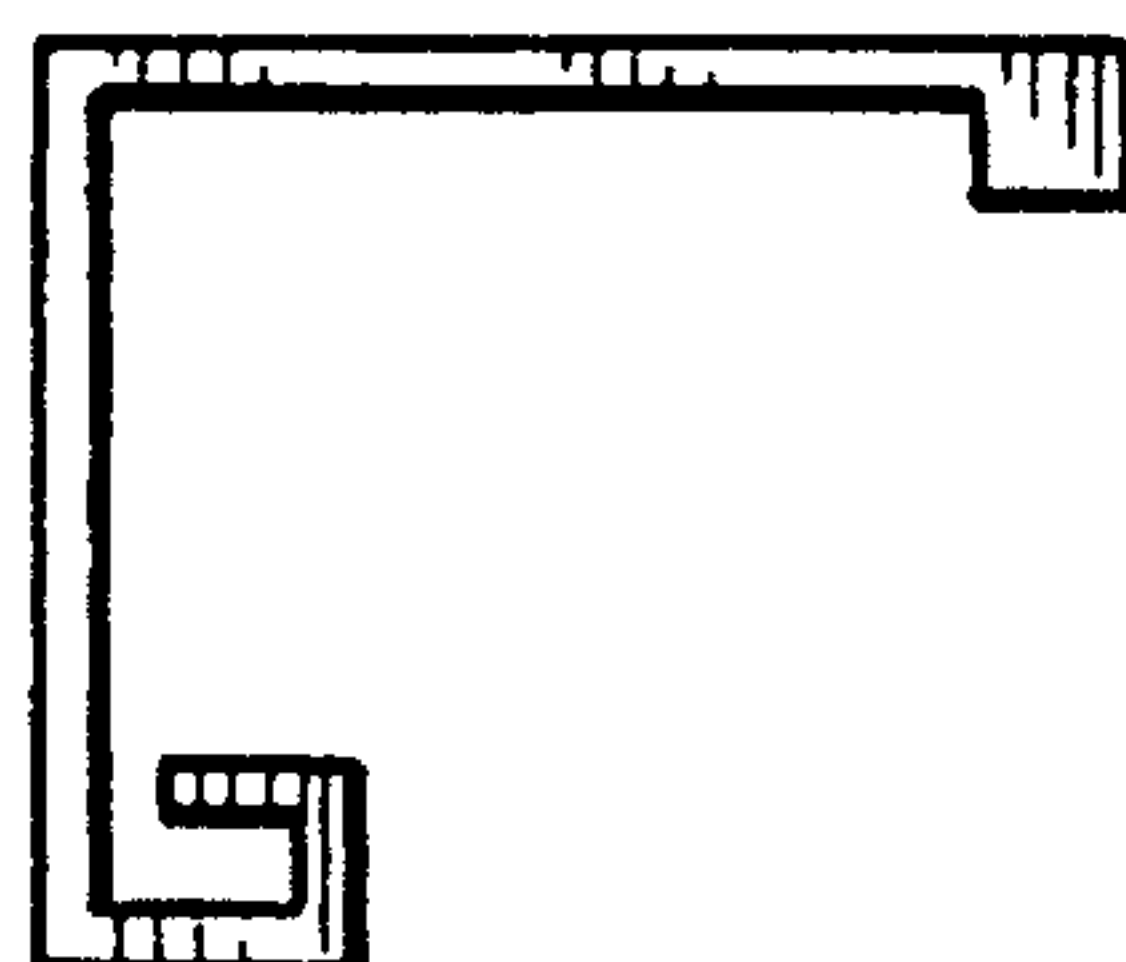


FIG. 14

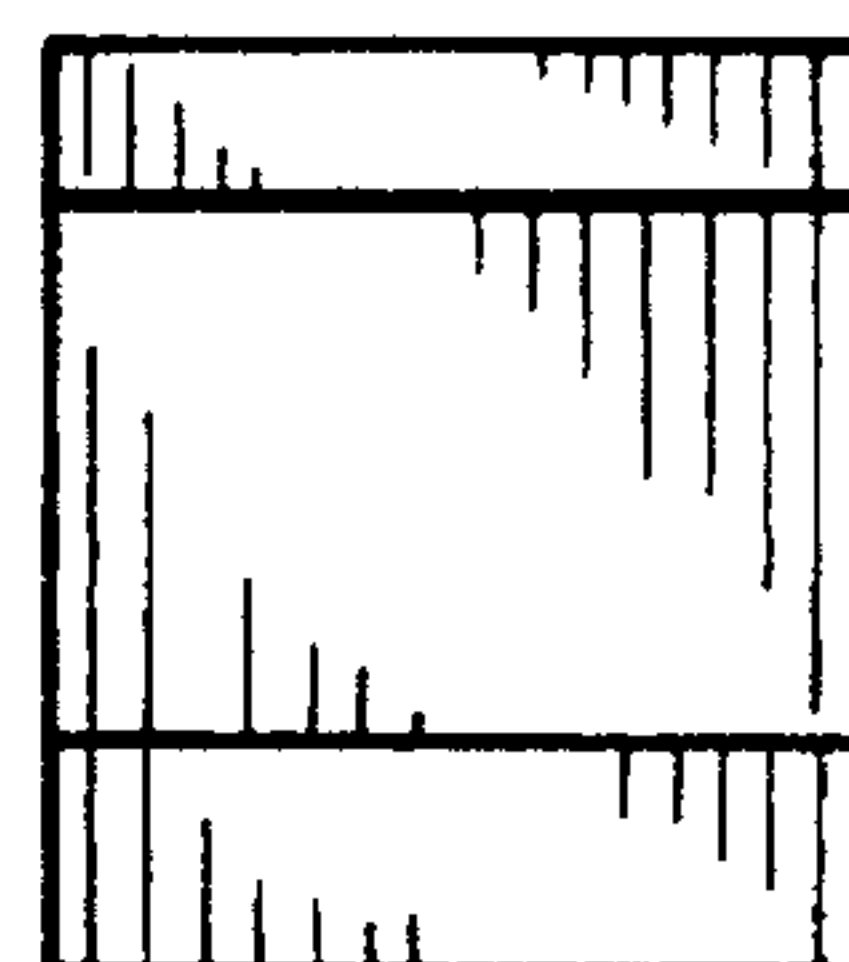
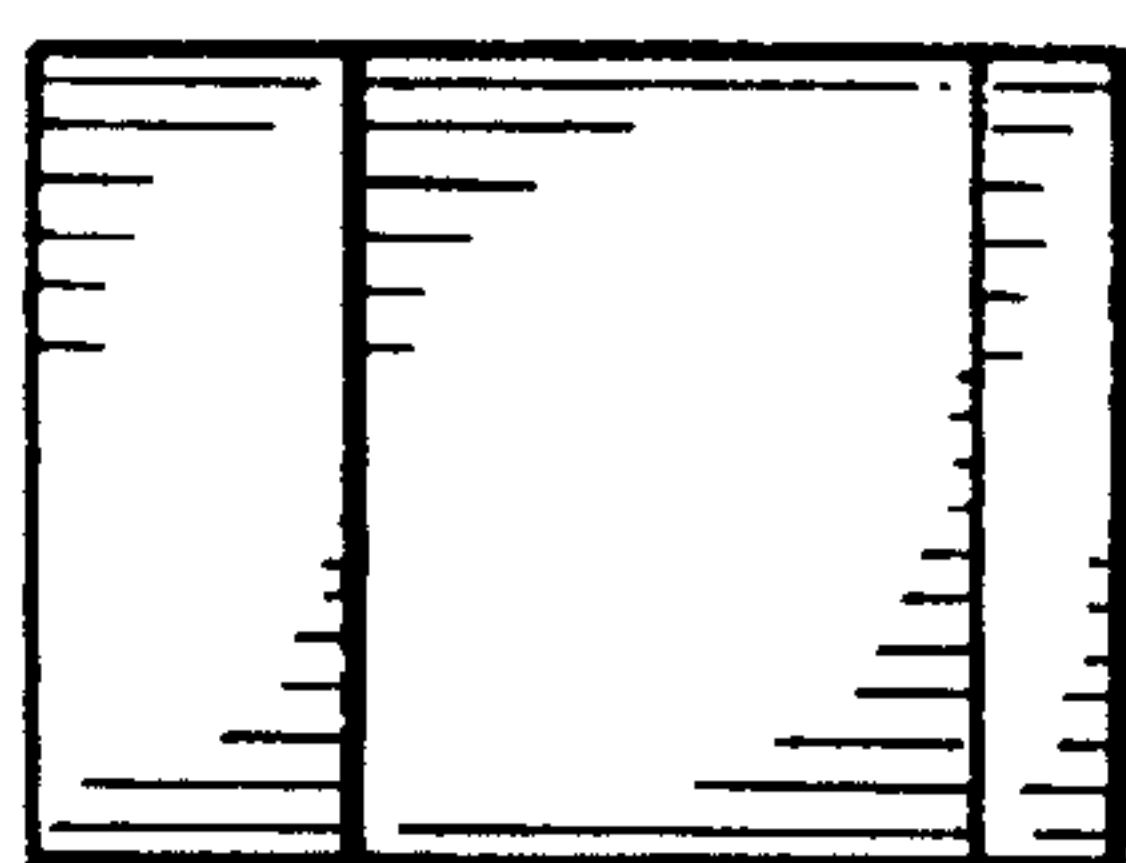


FIG. 17



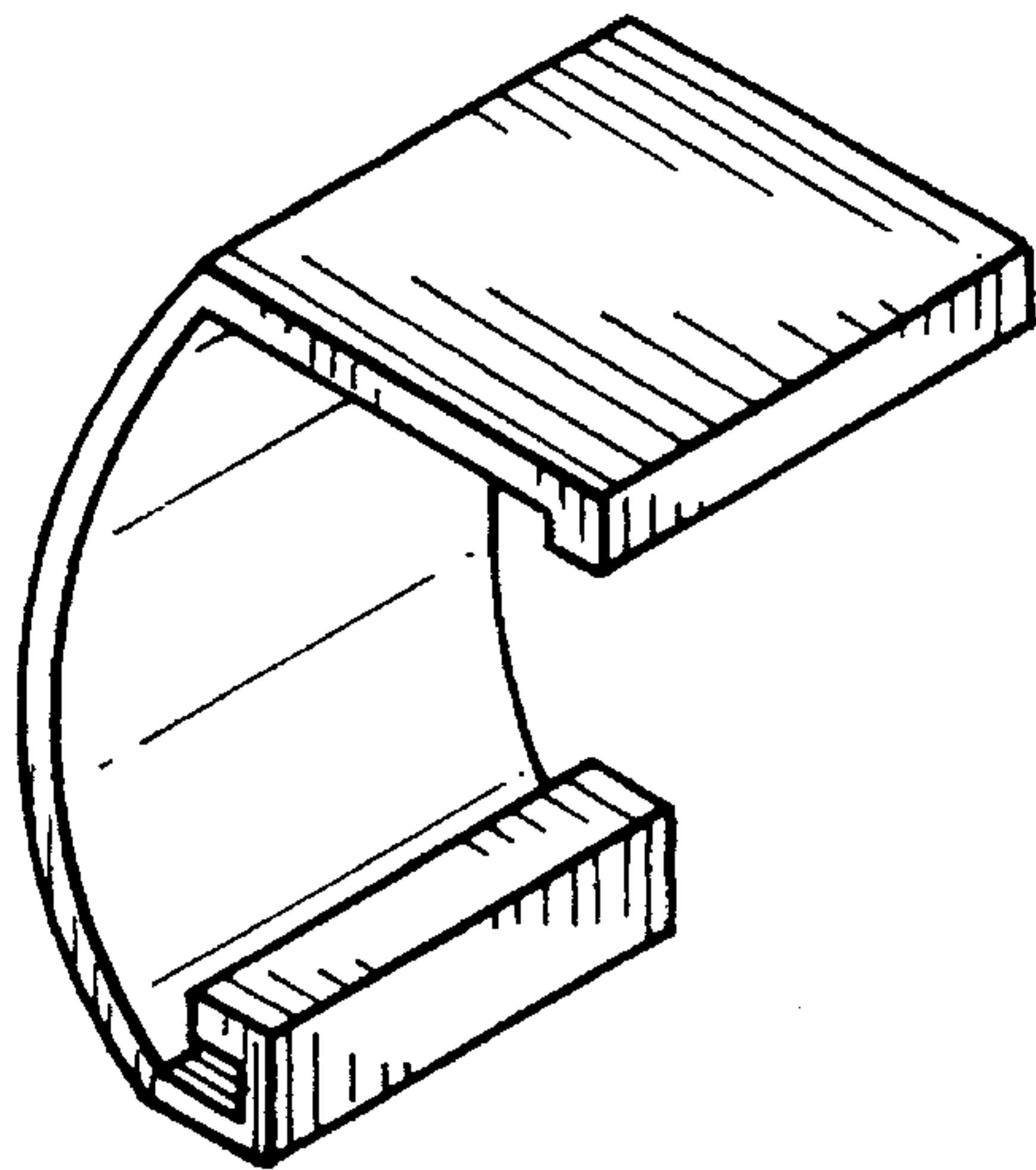


FIG. 19

FIG. 22

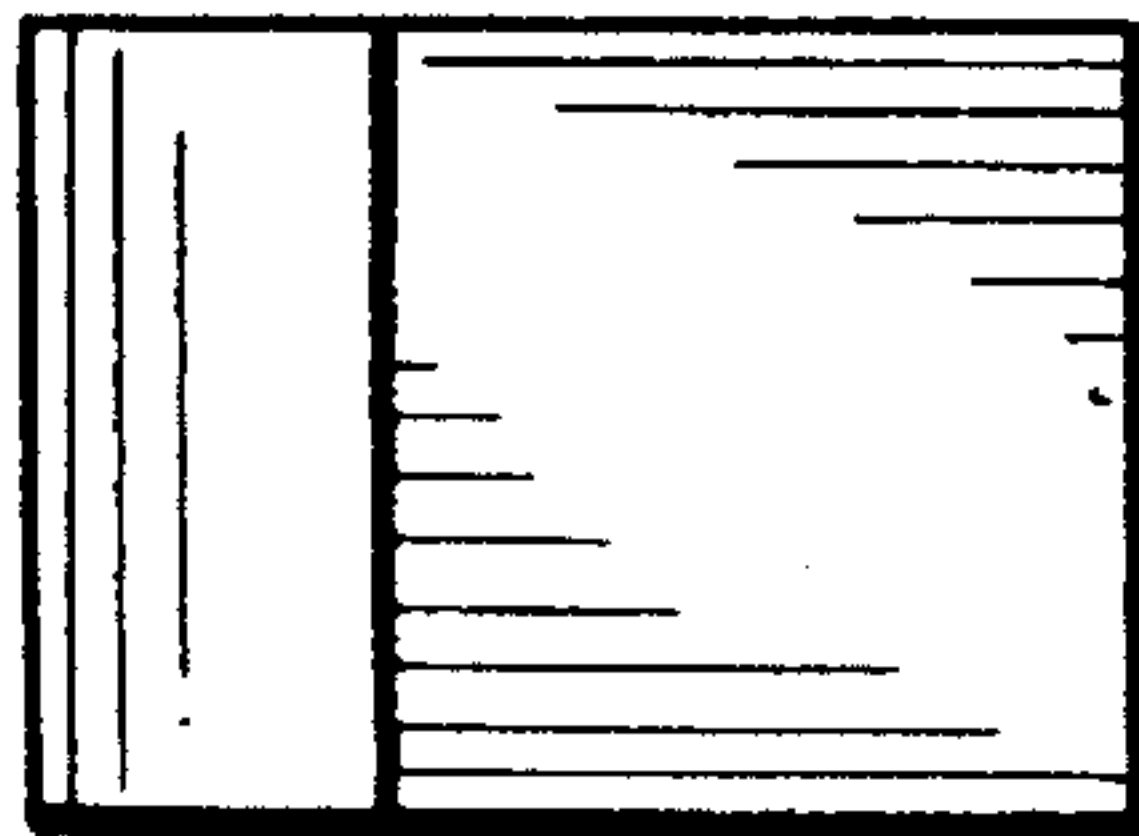


FIG. 24

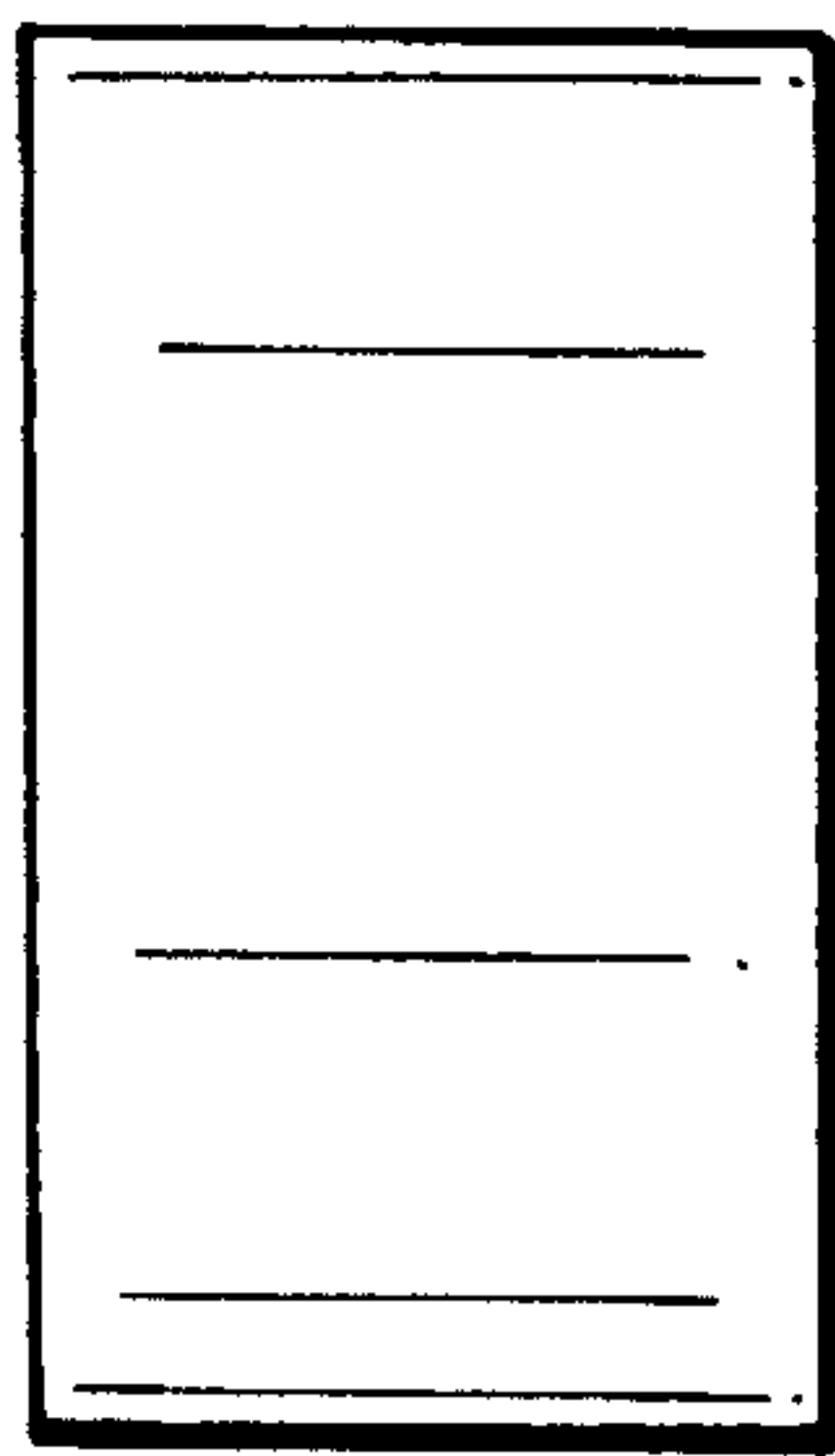


FIG. 21

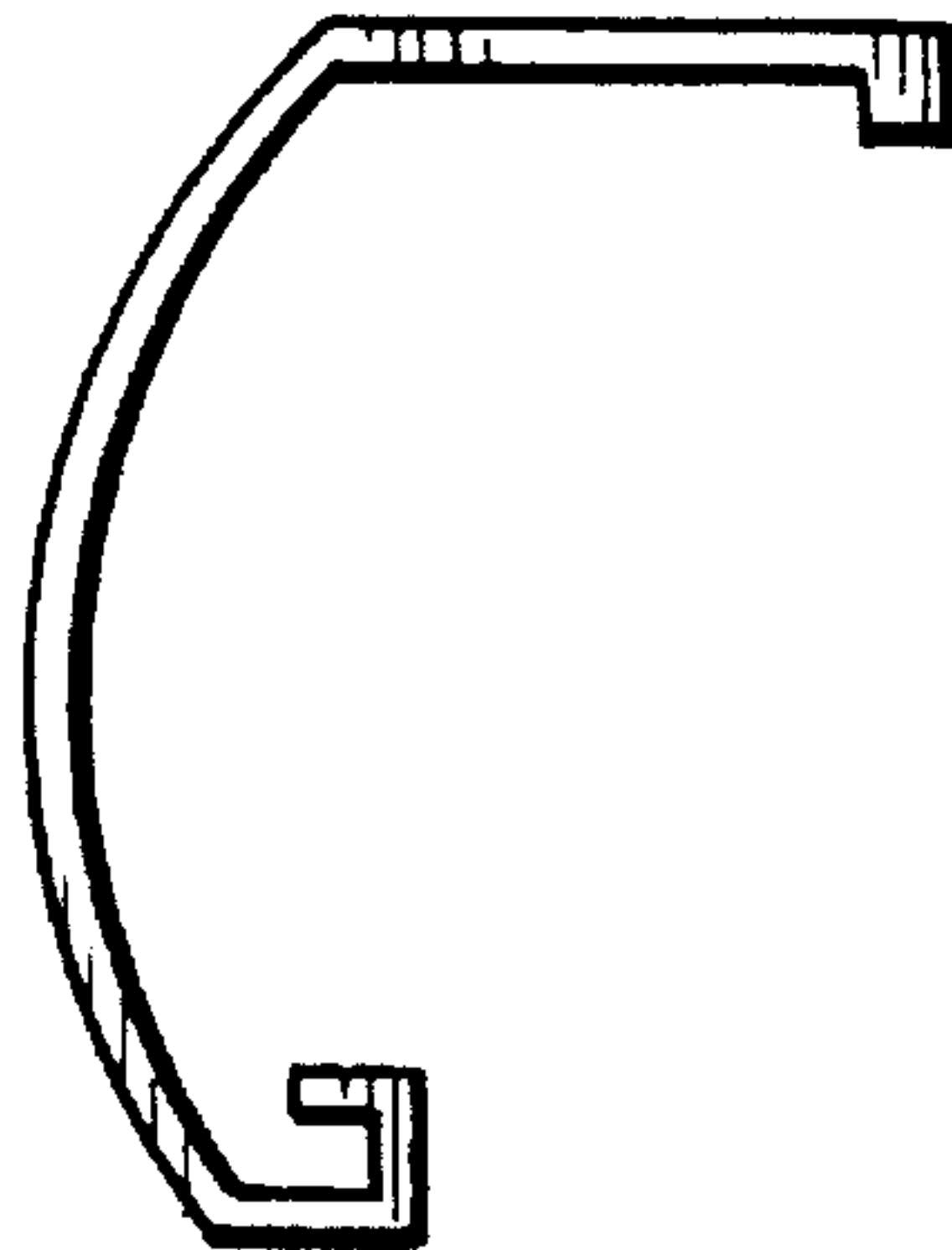


FIG. 20

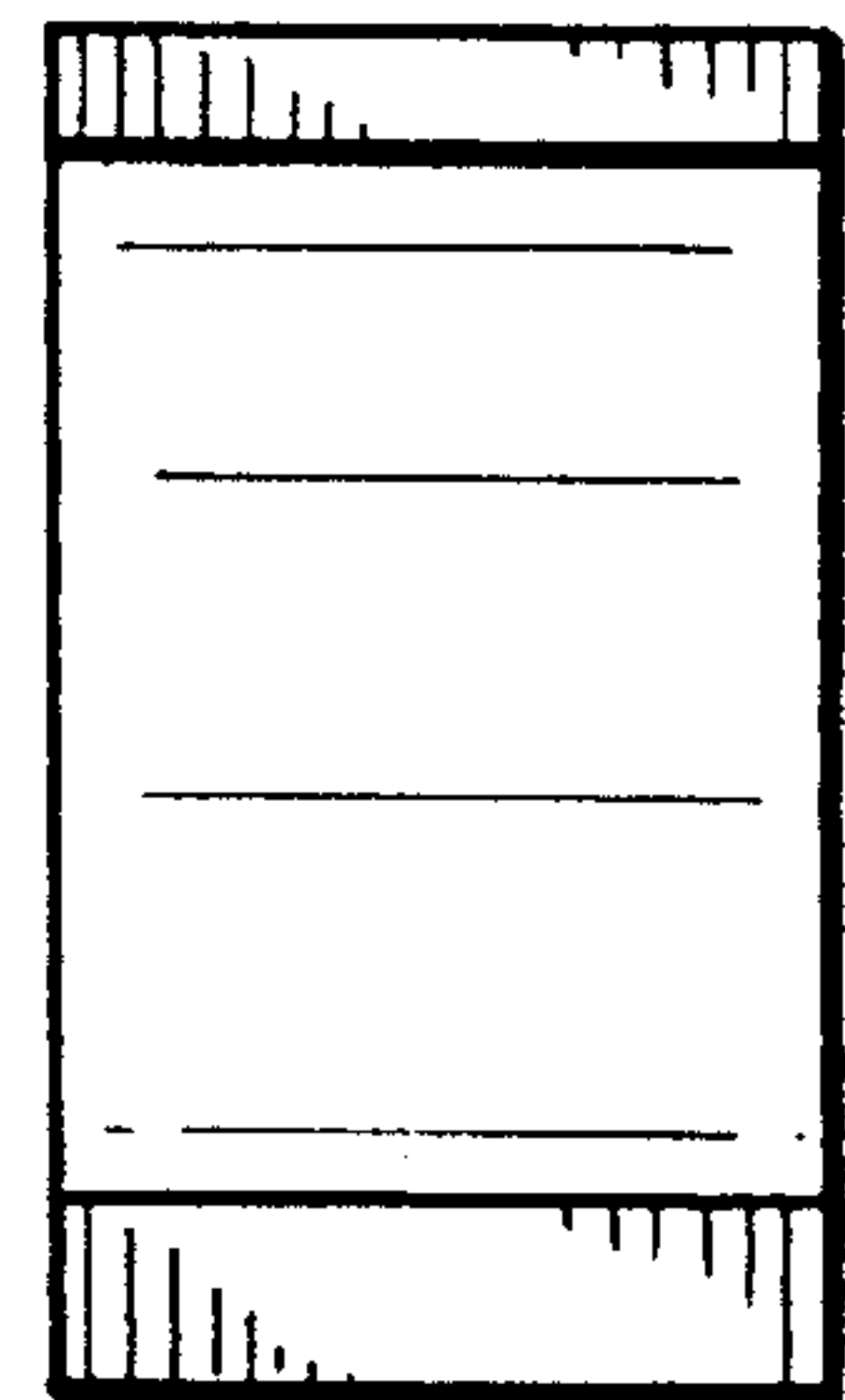
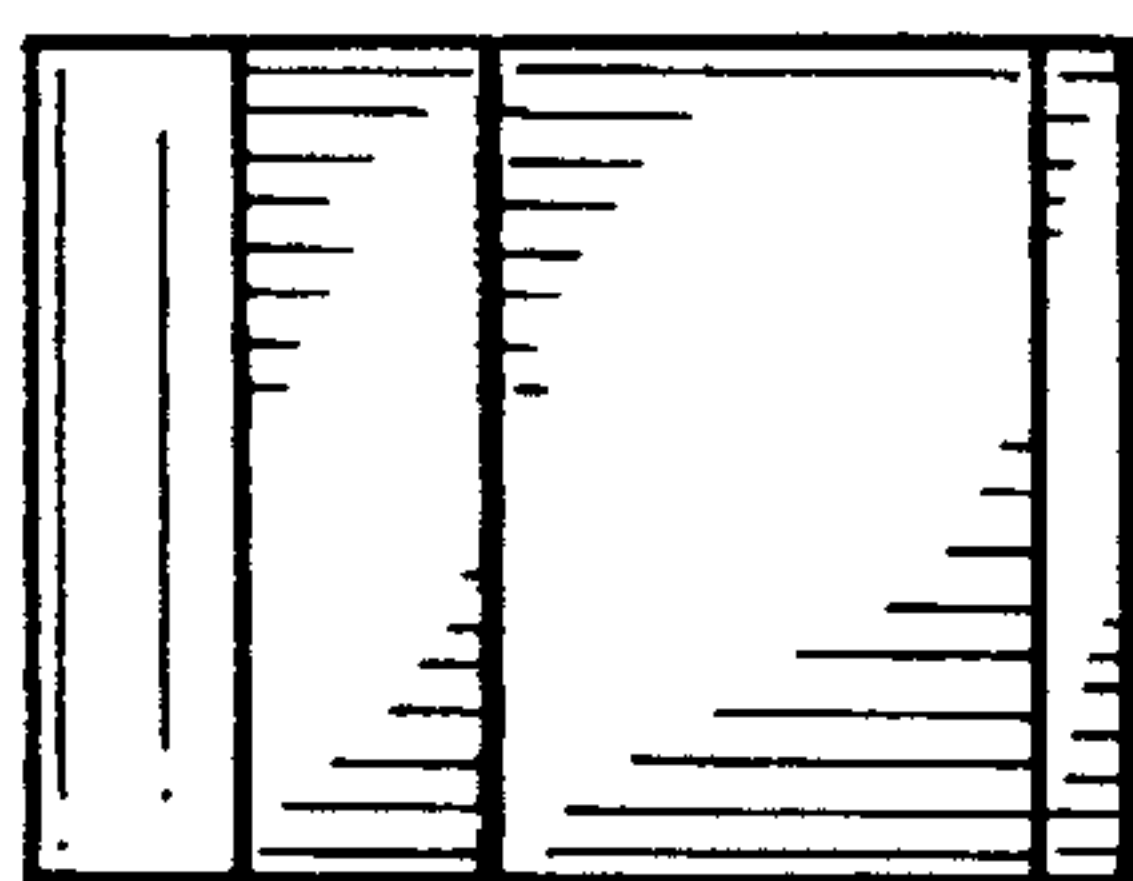


FIG. 23



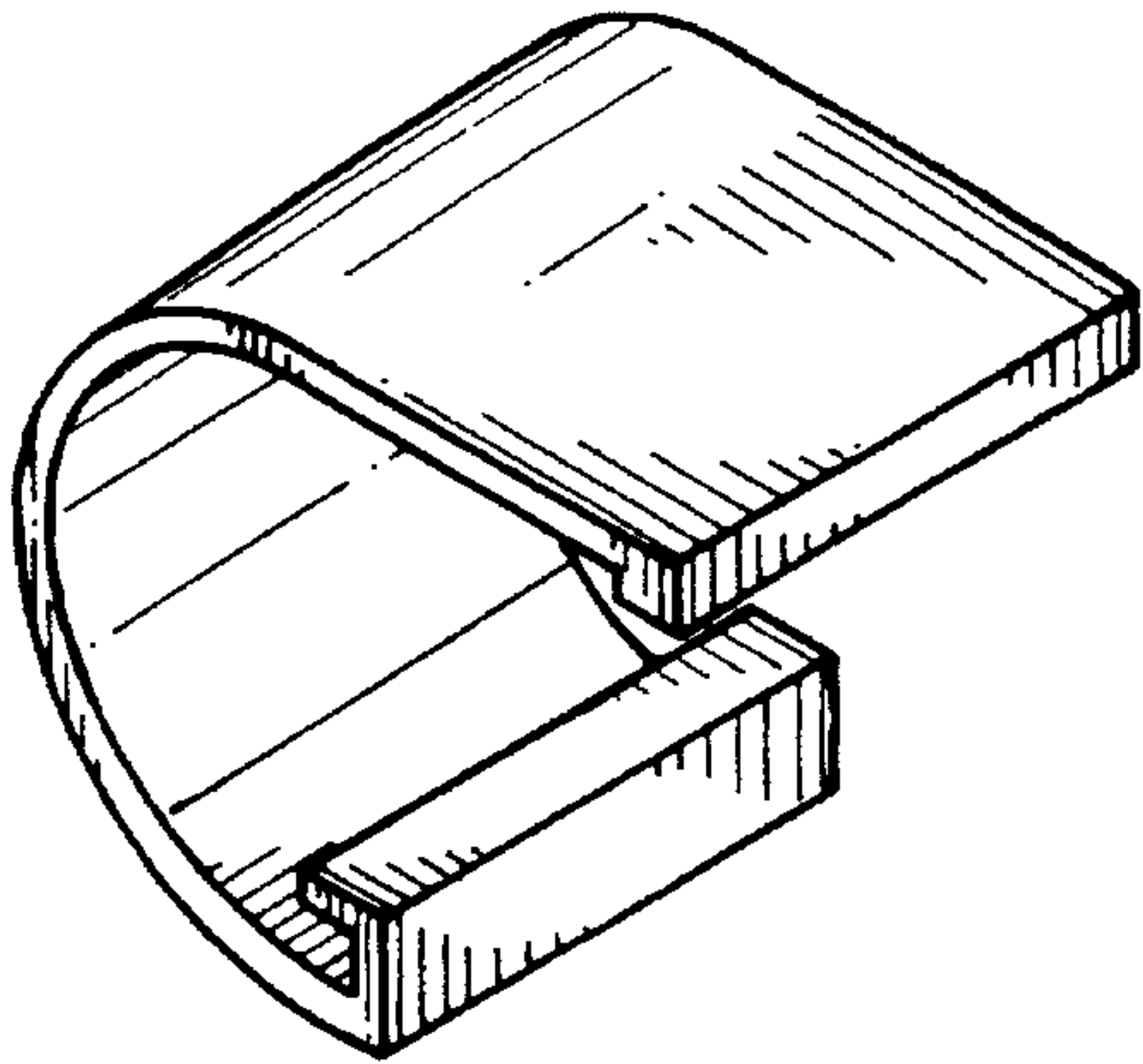


FIG. 25

FIG. 28

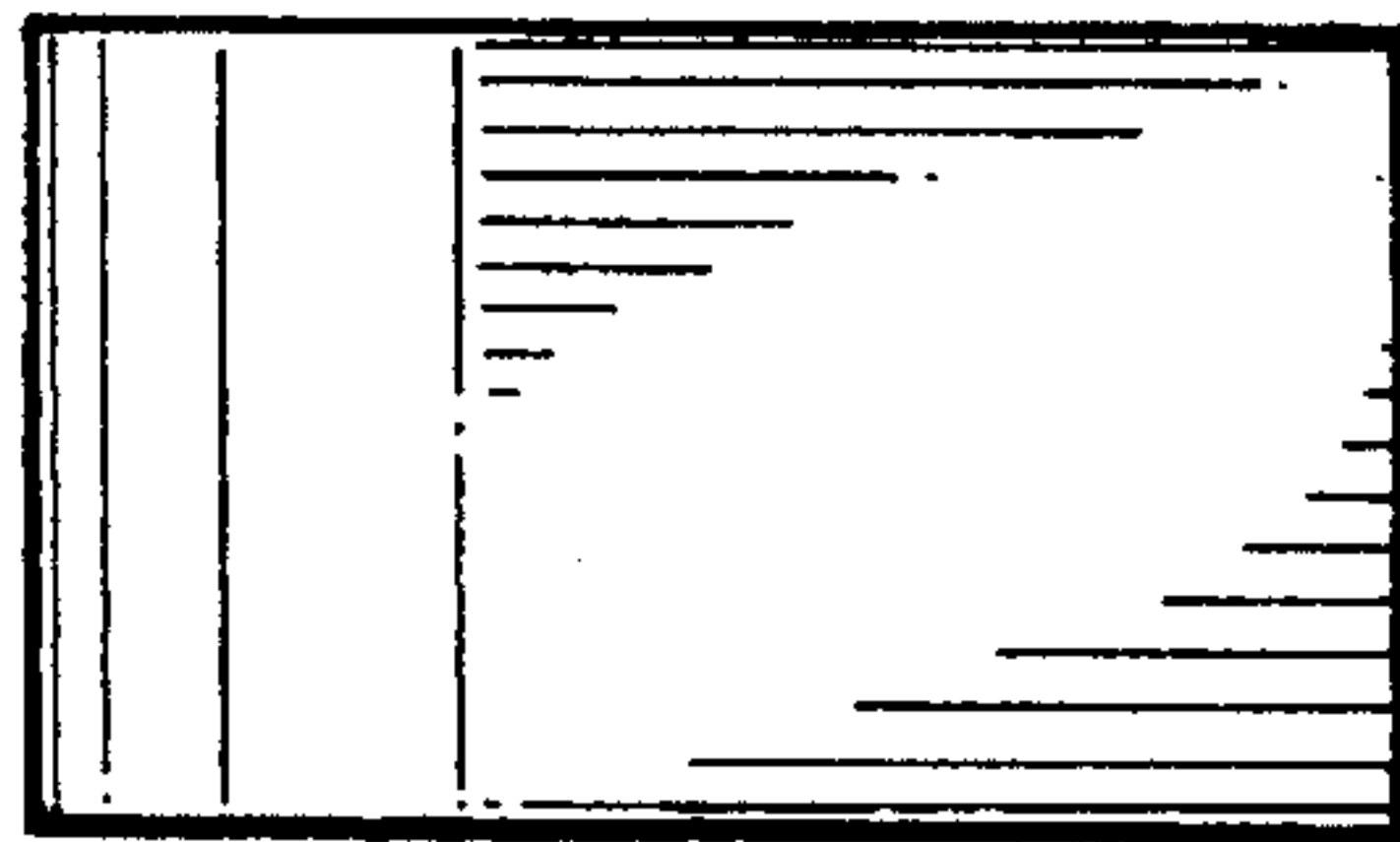


FIG. 30

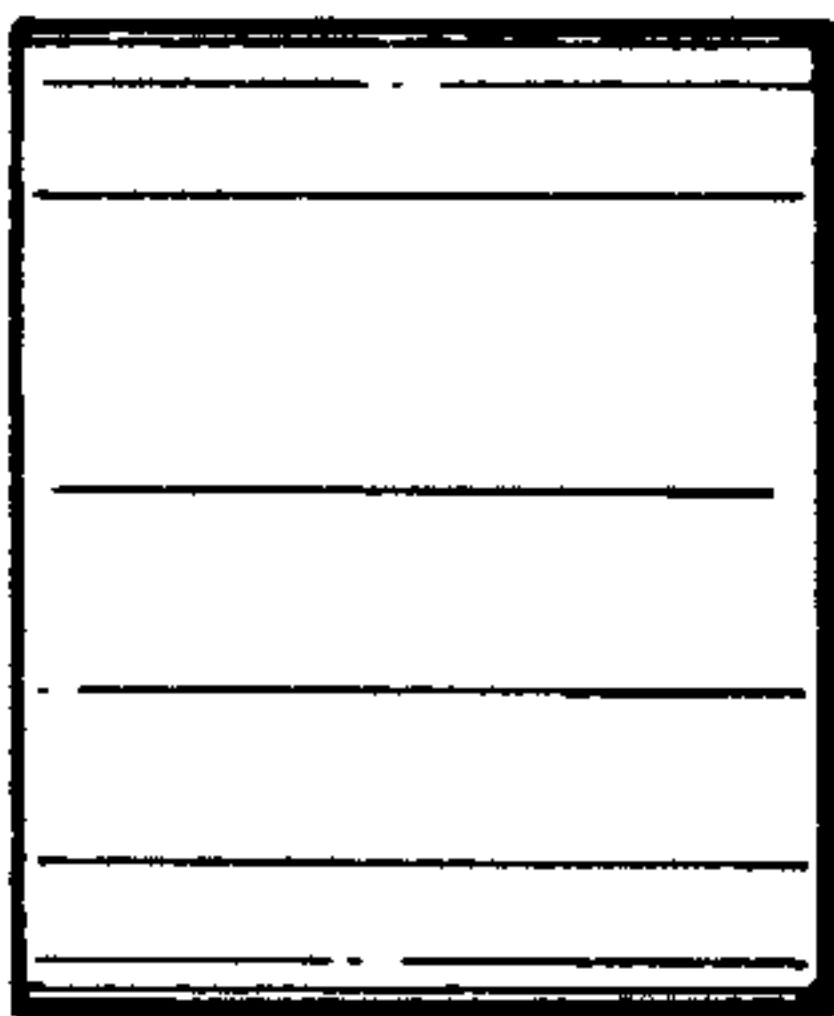


FIG. 27

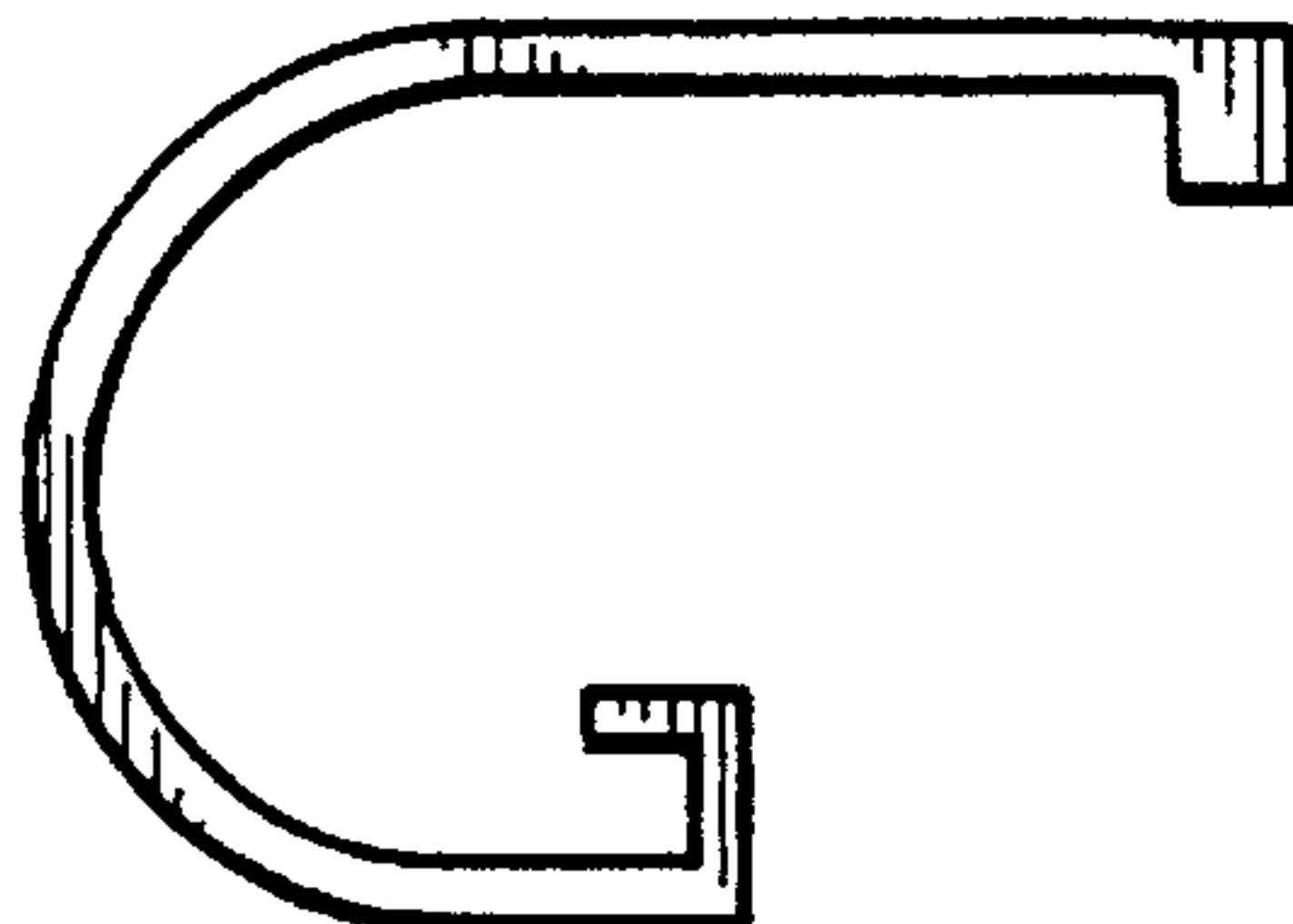


FIG. 26

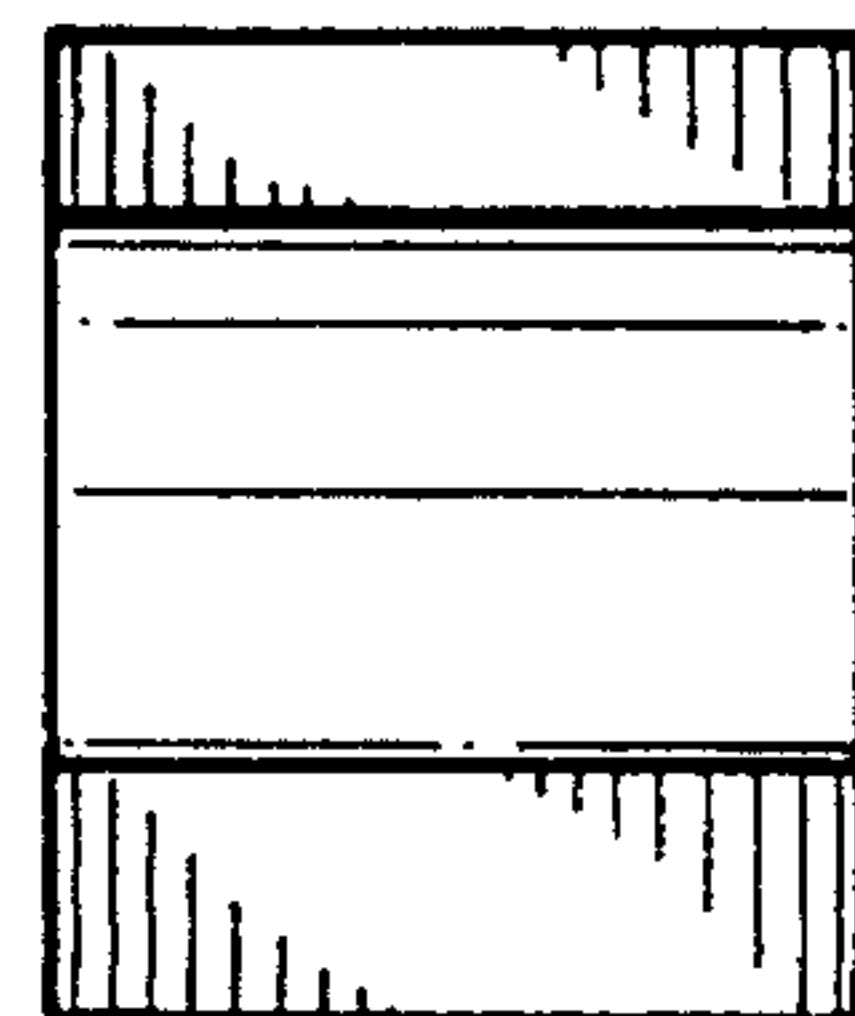


FIG. 29

