



US00D373066S

United States Patent [19]
De'Armond

[11] **Patent Number: Des. 373,066**

[45] **Date of Patent: **Aug. 27, 1996**

[54] **KNOB**

Attorney, Agent, or Firm—Foley & Lardner

[75] Inventor: **Robert De'Armond**, Celina, Ohio

[57] **CLAIM**

[73] Assignee: **Newell Operating Company**, Freeport, Ill.

The ornamental design for a knob, as shown and described.

[**] Term: **14 Years**

DESCRIPTION

[21] Appl. No.: **41,915**

FIG. 1 is a perspective view of a knob showing my new design;

[22] Filed: **Jul. 26, 1995**

[52] U.S. Cl. **D8/310**

FIG. 2 is a right side view thereof, the left side, top plan and bottom plan views being substantially identical to the right side view shown;

[58] **Field of Search** D8/300, 307, 310, D8/305; 16/110 R, 121, DIG. 19, DIG. 30

[56] **References Cited**

U.S. PATENT DOCUMENTS

- D. 219,422 12/1970 Tegner D8/310
- D. 226,894 5/1973 Tegner D8/310

FIG. 3 is a front view thereof; and,

FIG. 4 is a rear view thereof.

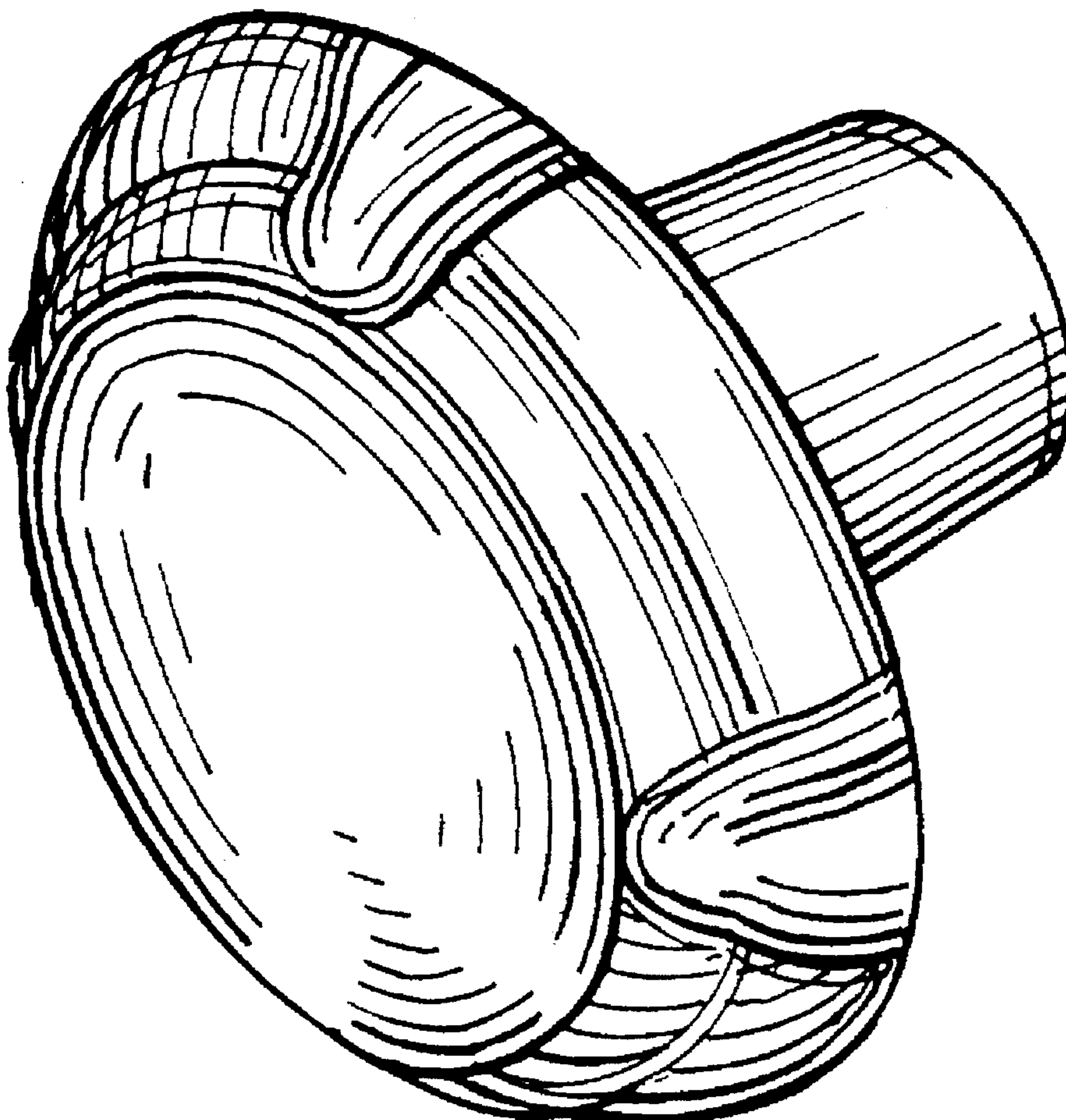
The fastener aperture depicted in broken lines in FIG. 4 is shown for illustrative purposes only and forms no part of the claimed subject matter.

OTHER PUBLICATIONS

- Modern Plastics Encyclopedia; 1948; p. 1408; Knob C C.
- Modern Plastics Encyclopedia; 1948; p. 1412; Knob G.

Primary Examiner—B. J. Bullock

1 Claim, 1 Drawing Sheet



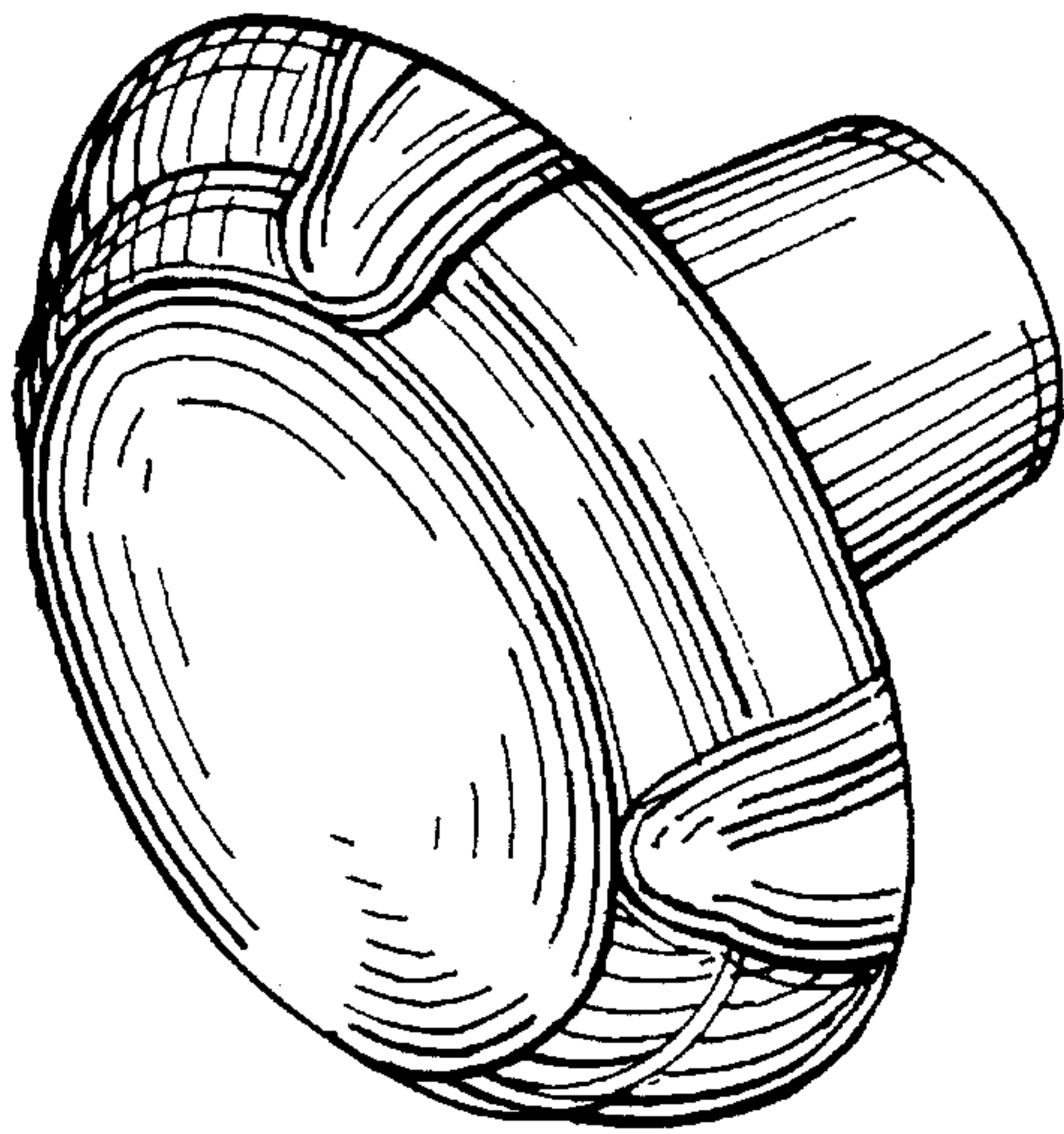


FIG. 1

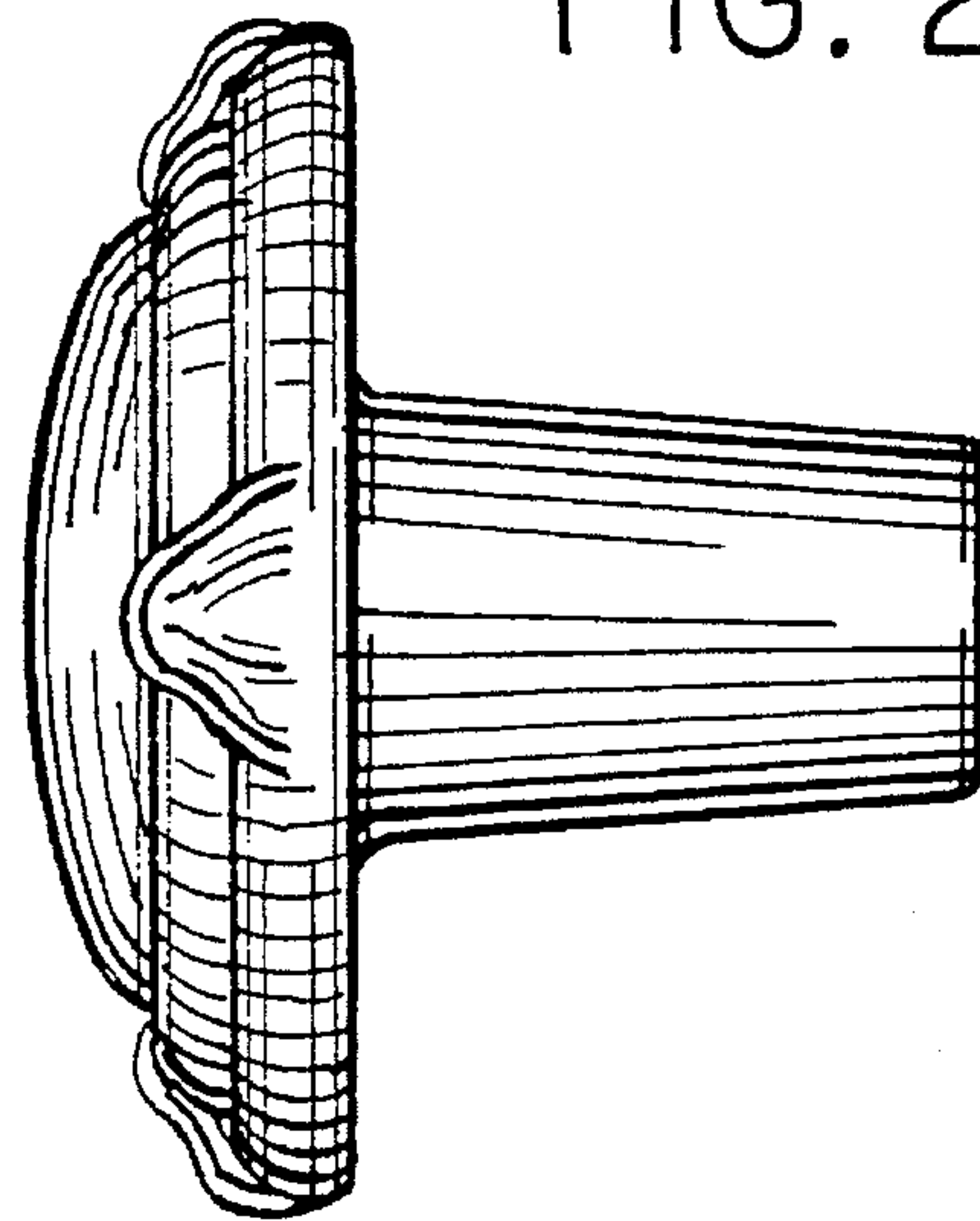


FIG. 2

FIG. 3

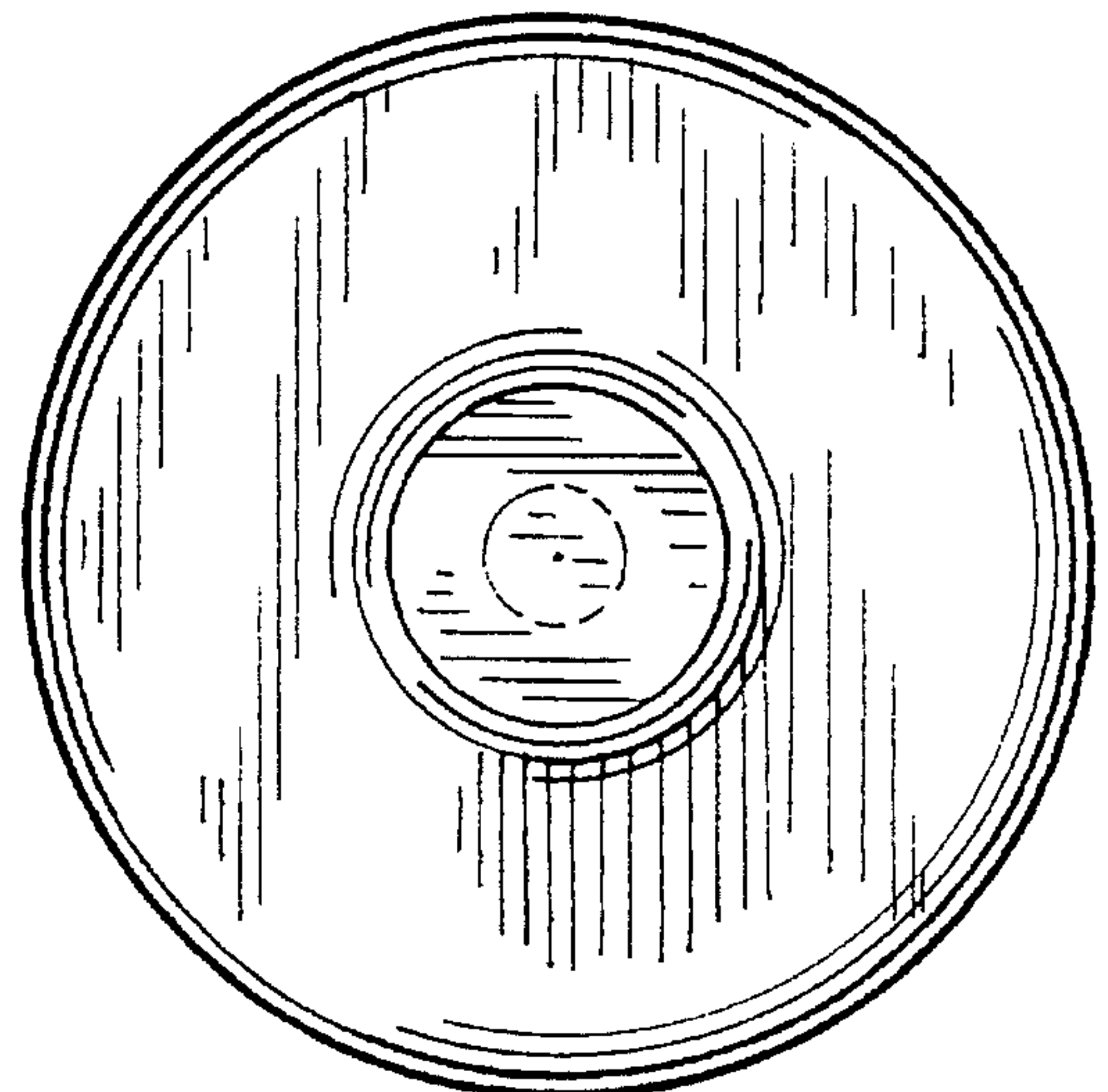
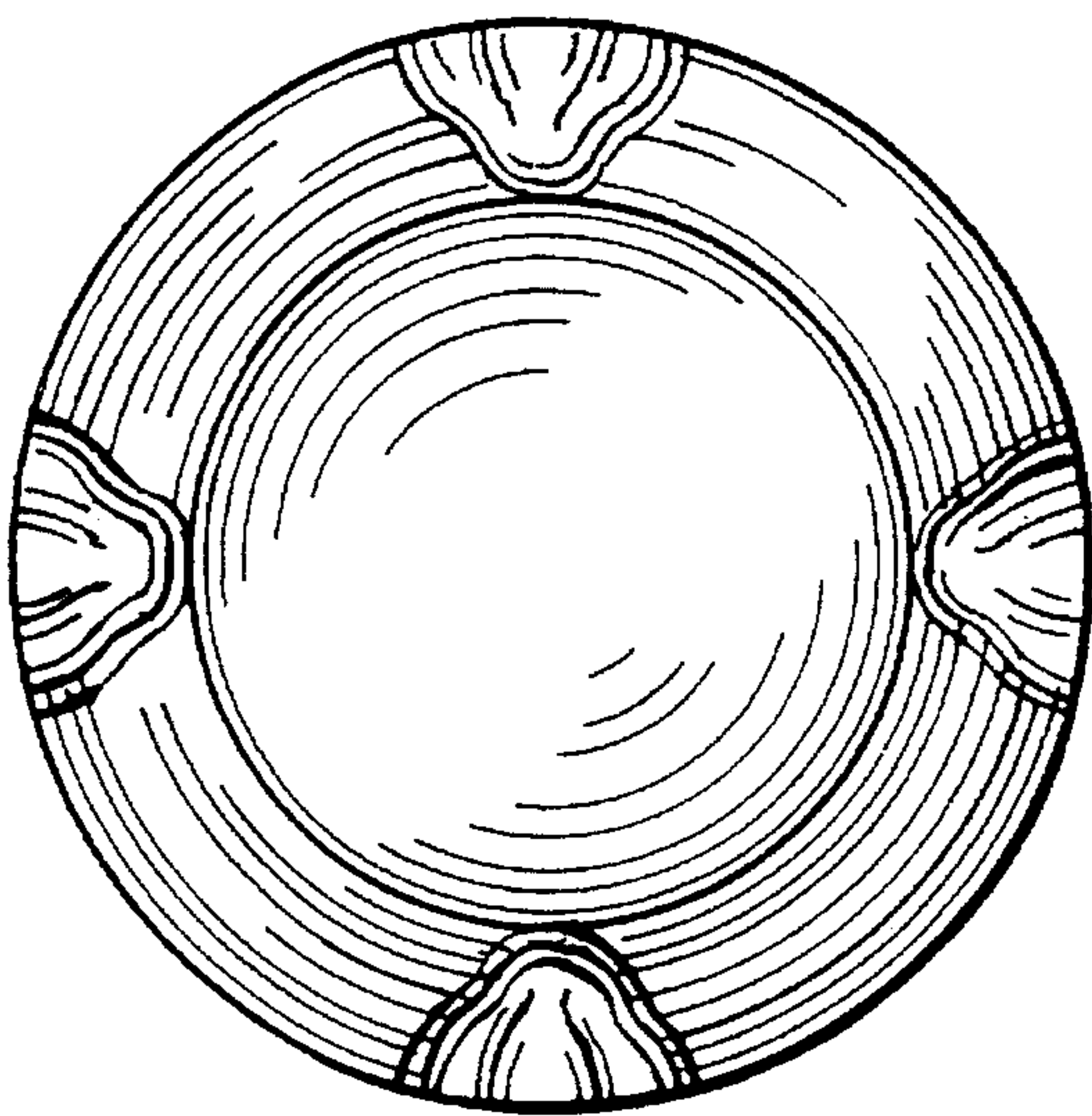


FIG. 4