



US00D373065S

United States Patent [19]
De'Armond

[11] **Patent Number: Des. 373,065**

[45] **Date of Patent: **Aug. 27, 1996**

[54] **KNOB**

[75] Inventor: **Robert De'Armond**, Celina, Ohio

[73] Assignee: **Newell Operating Company**, Freeport, Ill.

[**] Term: **14 Years**

[21] Appl. No.: **41,911**

[22] Filed: **Jul. 26, 1995**

[52] U.S. Cl. **D8/310**

[58] **Field of Search** D8/300, 307, 310;
16/110 R, 121, DIG. 19, DIG. 30

[56] **References Cited**

U.S. PATENT DOCUMENTS

- D. 193,545 9/1962 Caminker et al. D8/307
- D. 197,212 12/1963 Clayton D8/307

OTHER PUBLICATIONS

Daka-ware Cat. No. 9; p. 7, Knob 3006.

Primary Examiner—B. J. Bullock
Attorney, Agent, or Firm—Foley & Lardner

[57] **CLAIM**

The ornamental design for a knob, as shown and described.

DESCRIPTION

FIG. 1 is a perspective view of a knob showing my new design;

FIG. 2 is a front view thereof;

FIG. 3 is a right side view thereof, the left side view being a mirror image of the right side view shown;

FIG. 4 is top view thereof, the bottom view being a mirror image of the top view shown; and,

FIG. 5 is a rear view thereof.

The fastener aperture depicted in broken lines in FIG. 5 is shown for illustrative purposes only and forms no part of the claimed subject matter.

1 Claim, 1 Drawing Sheet

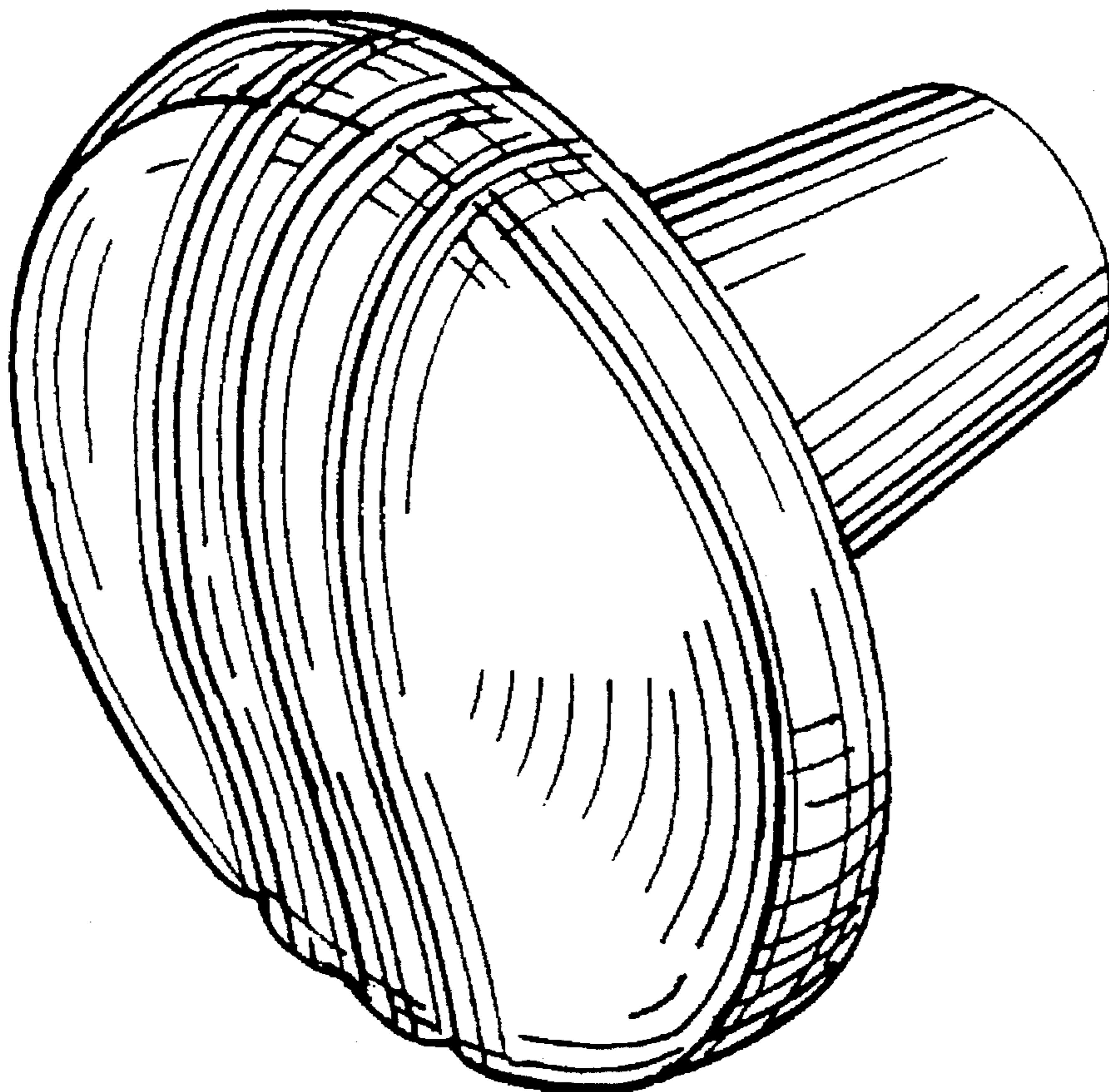


FIG. 1

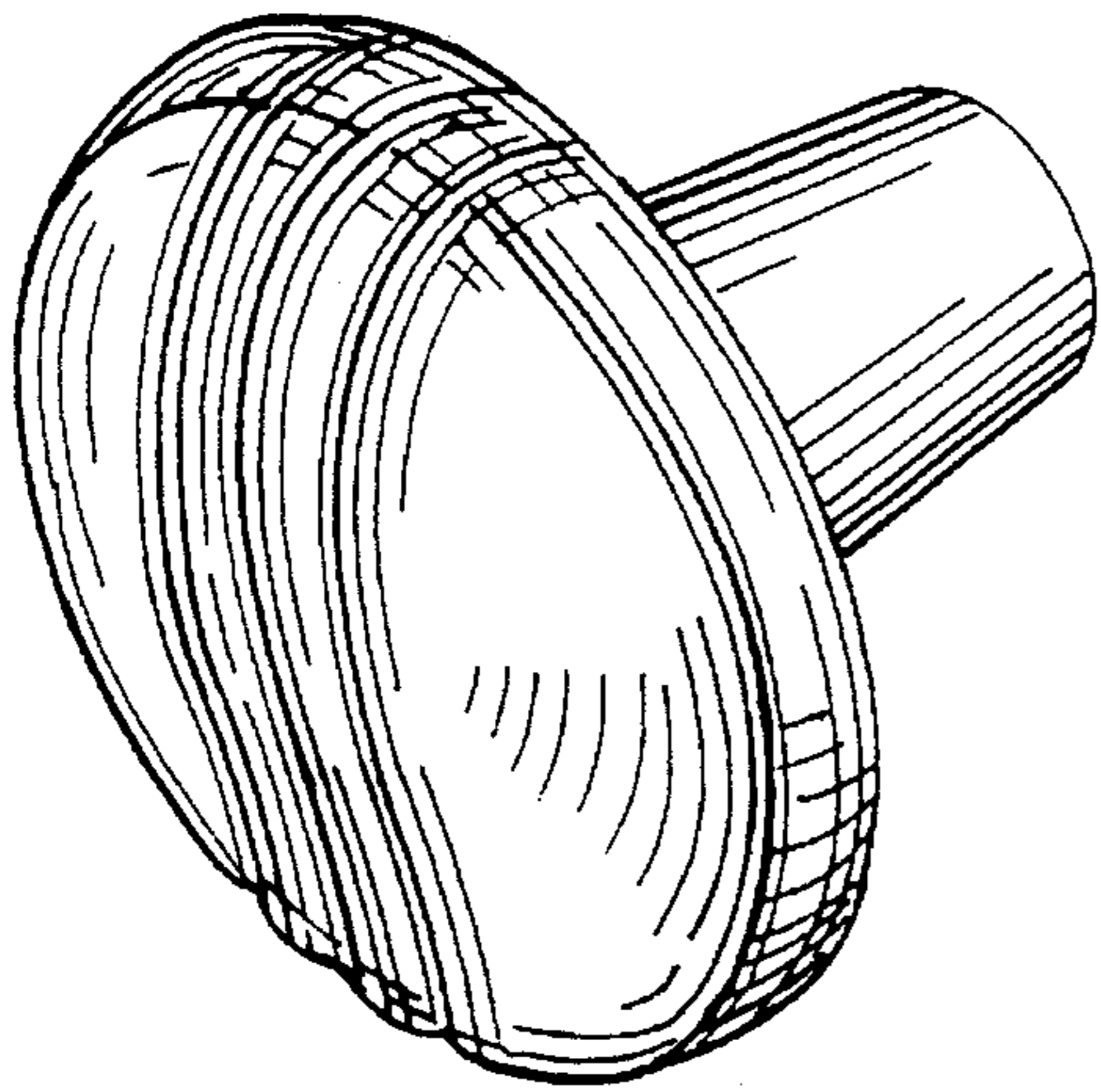


FIG. 2

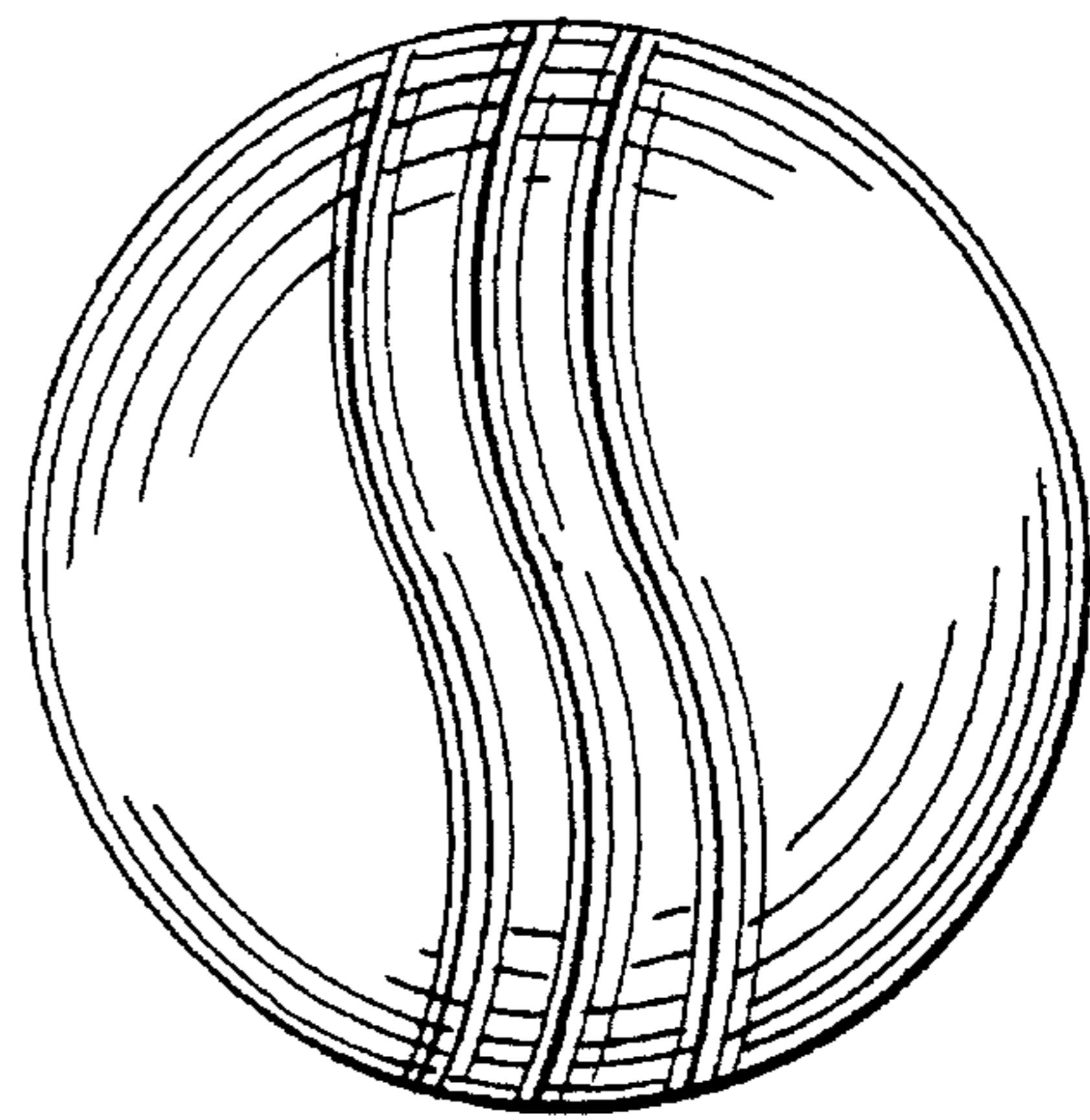


FIG. 3

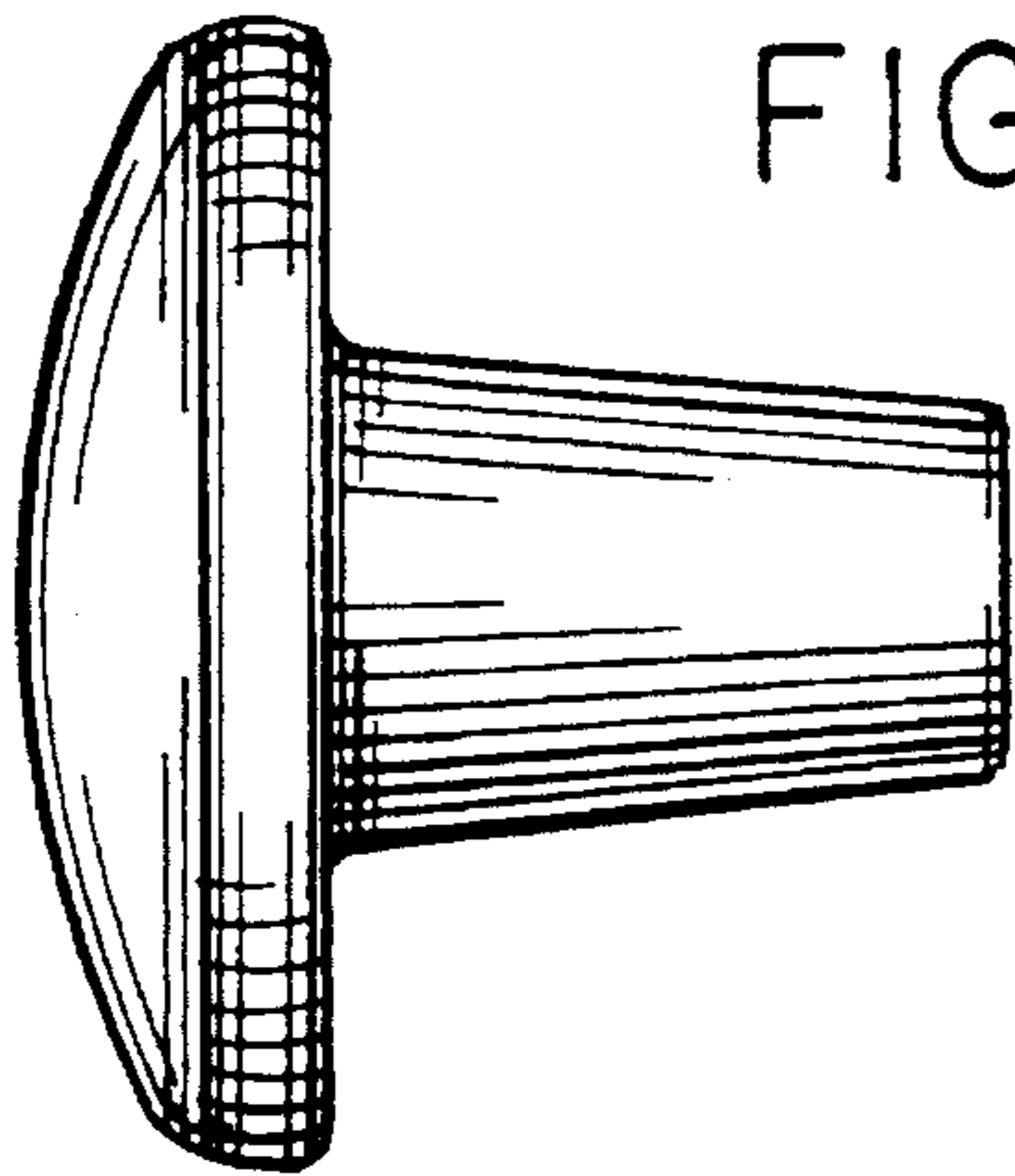


FIG. 4

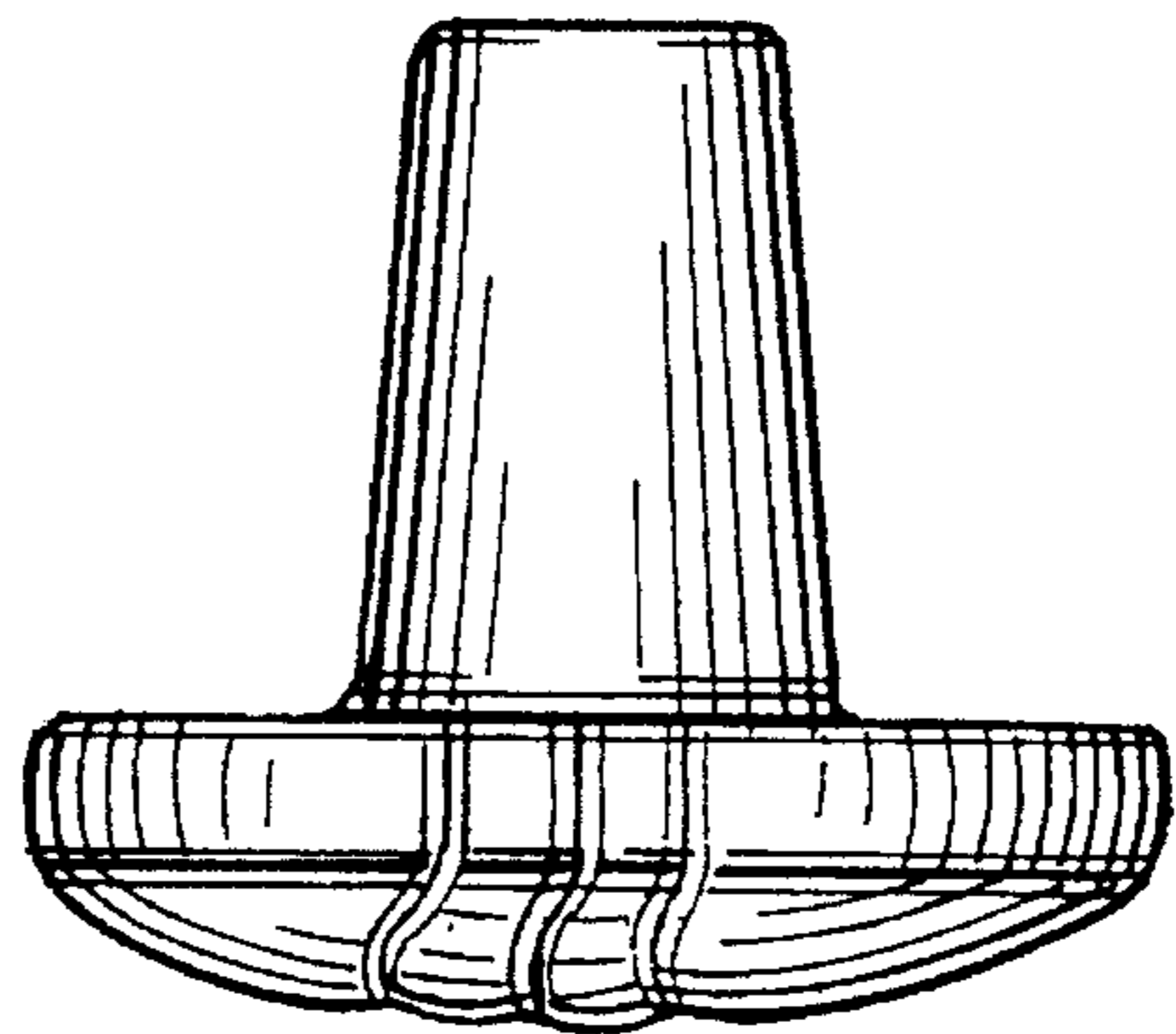


FIG. 5

