



US00D373060S

# United States Patent [19]

Wilcox

[11] Patent Number: Des. 373,060

[45] Date of Patent: \*\*Aug. 27, 1996

[54] **HAMMERHEAD FOR INSTALLING SHEATHING PANELS**

[76] Inventor: **Timothy A. Wilcox**, 3257 James Harbor Way, Lawrenceville, Ga. 30244

[\*\*] Term: **14 Years**

[21] Appl. No.: **39,641**

[22] Filed: **Jun. 1, 1995**

[52] U.S. Cl. .... **D8/78; D8/77**

[58] Field of Search ..... **D8/75, 76, 77, D8/78, 79; 81/19, 20, 21, 22, 23, 24, 25, 26**

[56] **References Cited**

**U.S. PATENT DOCUMENTS**

D. 308,007	5/1990	Ferguson et al. ....	D8/78
D. 353,758	12/1994	Frykman .....	D8/78
392,515	11/1888	Hoover .....	D8/75
1,365,778	1/1921	Galligan .....	81/23
3,125,143	3/1964	Wilson .....	81/23
4,193,433	3/1980	Sickler .....	81/23

*Primary Examiner*—Philip S. Hyder  
*Attorney, Agent, or Firm*—James A. Hinkle

[57] **CLAIM**

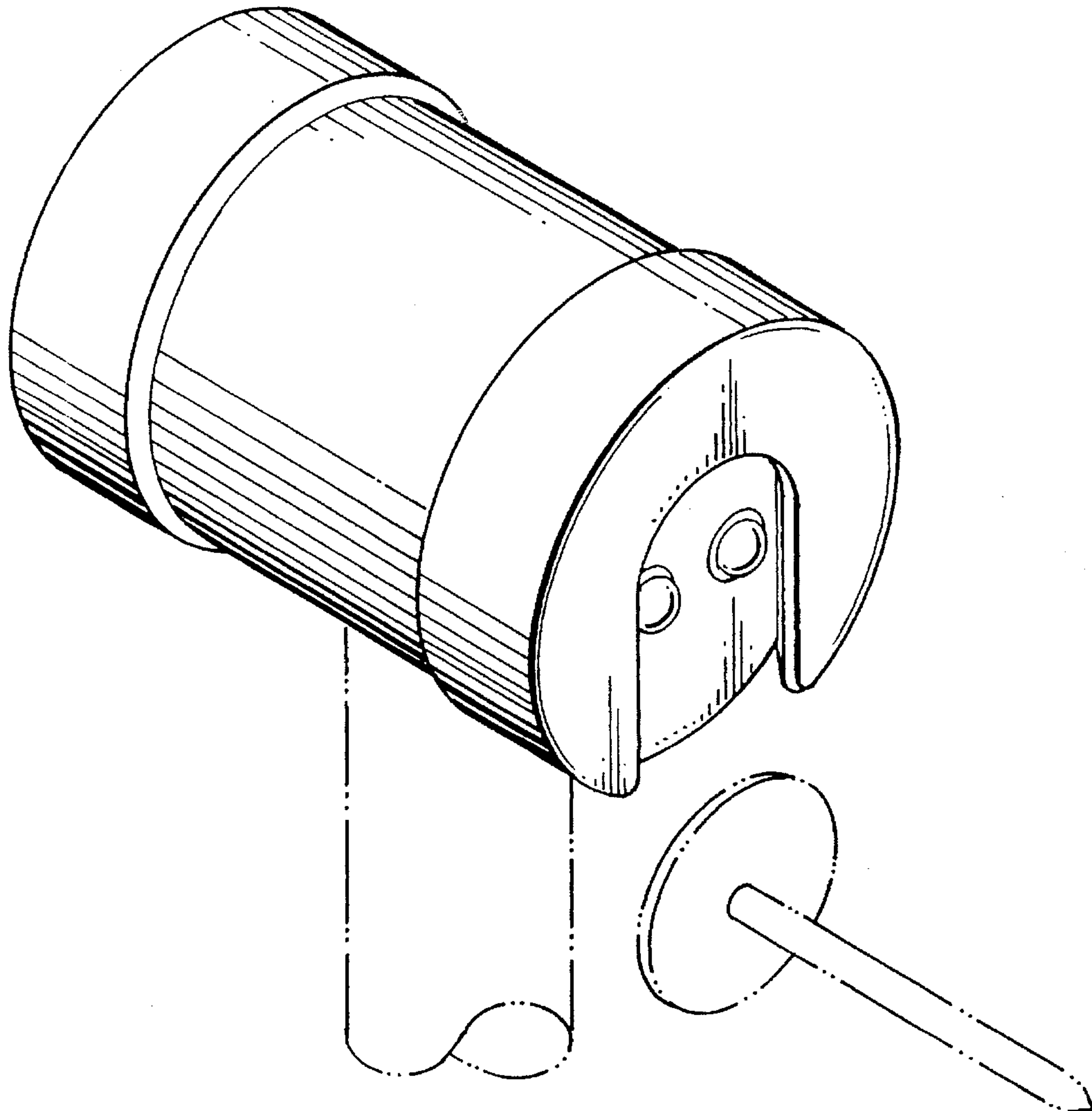
The ornamental design for a hammer head for installing sheathing panels, as shown and described.

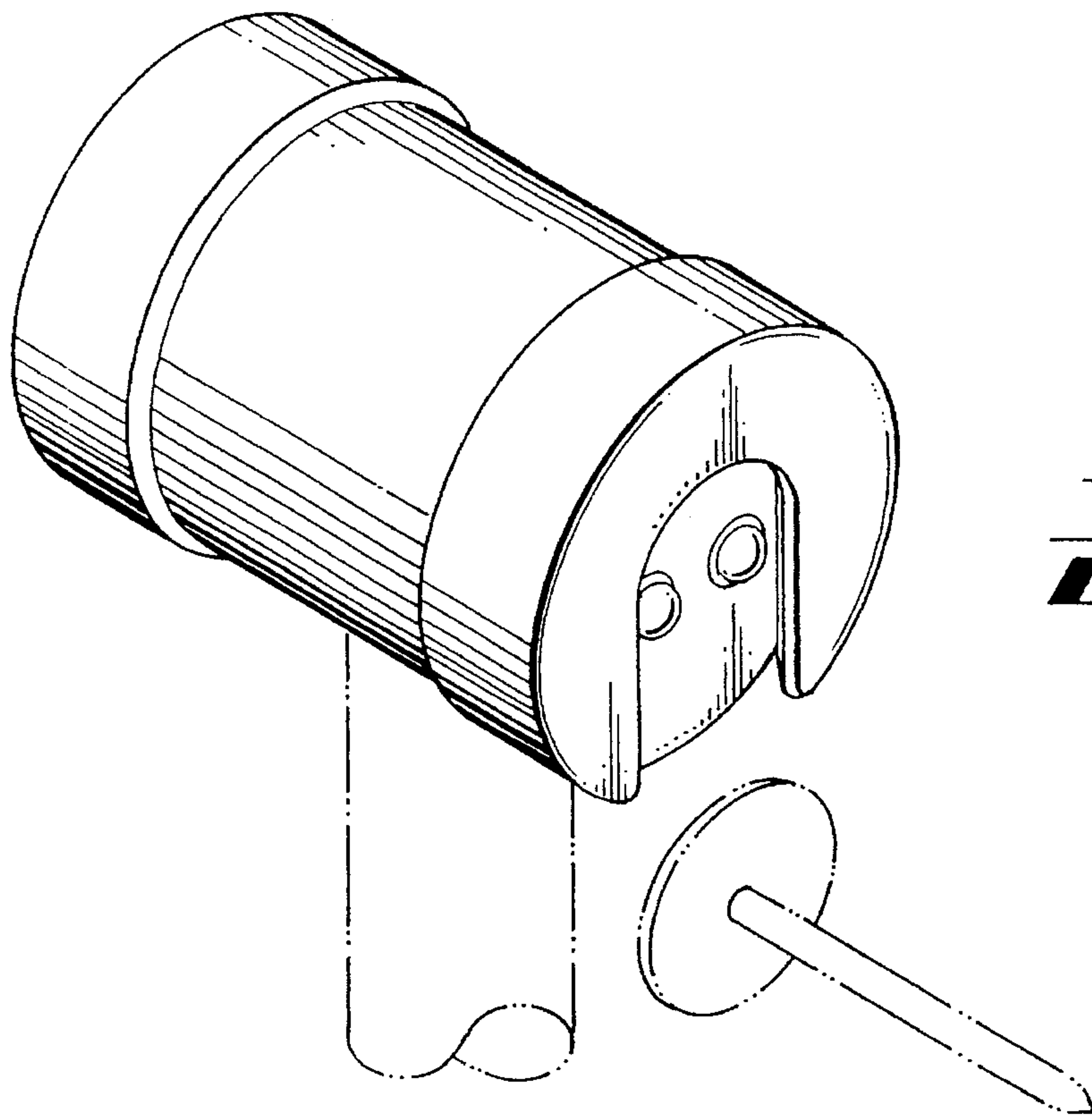
**DESCRIPTION**

FIG. 1 is a front perspective view of a hammer for installing sheathing panels showing my new design; FIG. 2 is a rear perspective view thereof; FIG. 3 is a top plan view thereof; FIG. 4 is a side elevation view thereof, the opposite side being a mirror image; FIG. 5 is a rear elevation view thereof; FIG. 6 is a front elevation view thereof; and, FIG. 7 is a bottom view thereof.

The broken lines showing a handle in FIGS. 1, 2, 4, 5 and 6, and a nail in FIG. 1 are for illustrative environmental purposes only and form no part of the claimed design.

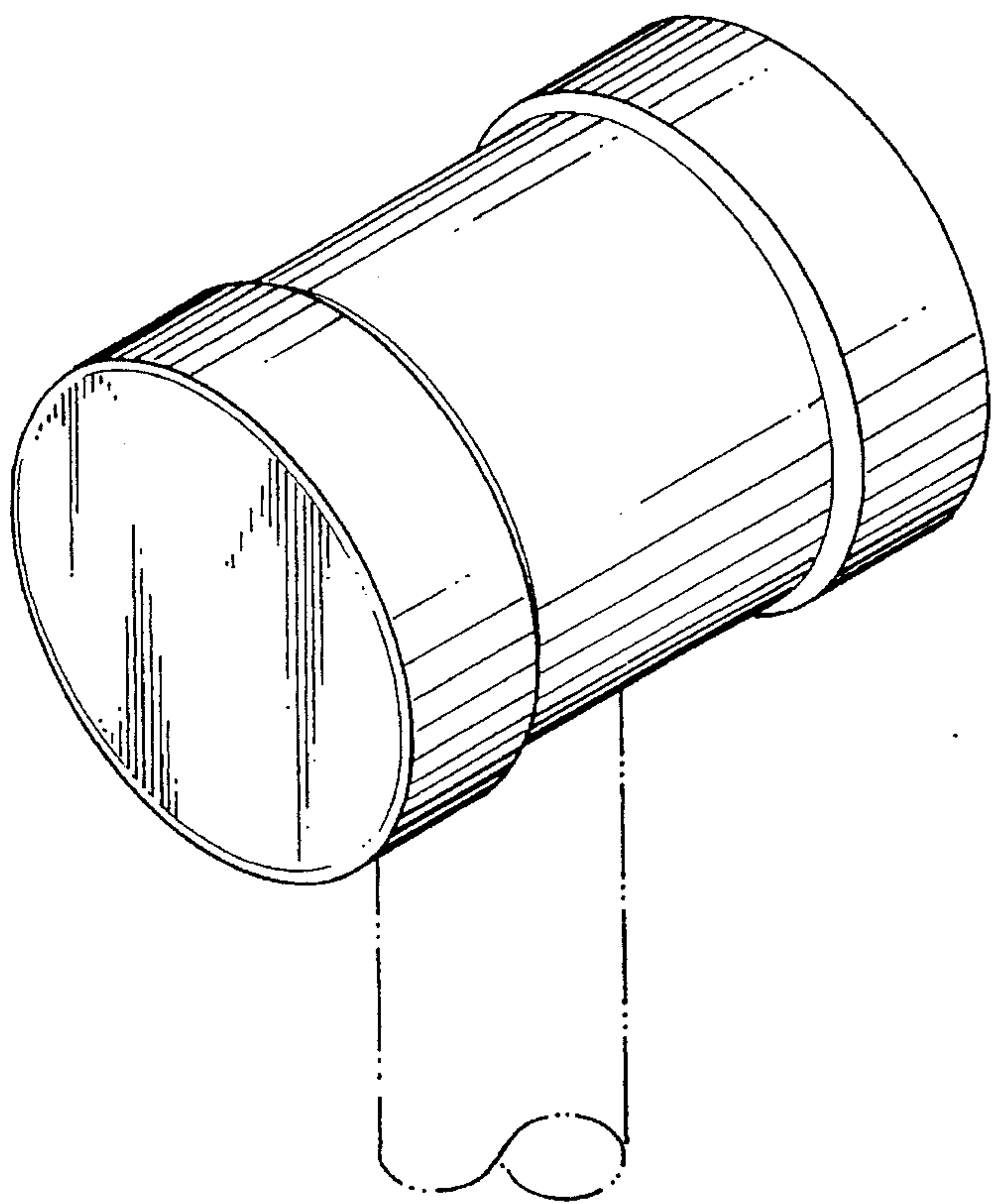
**1 Claim, 2 Drawing Sheets**



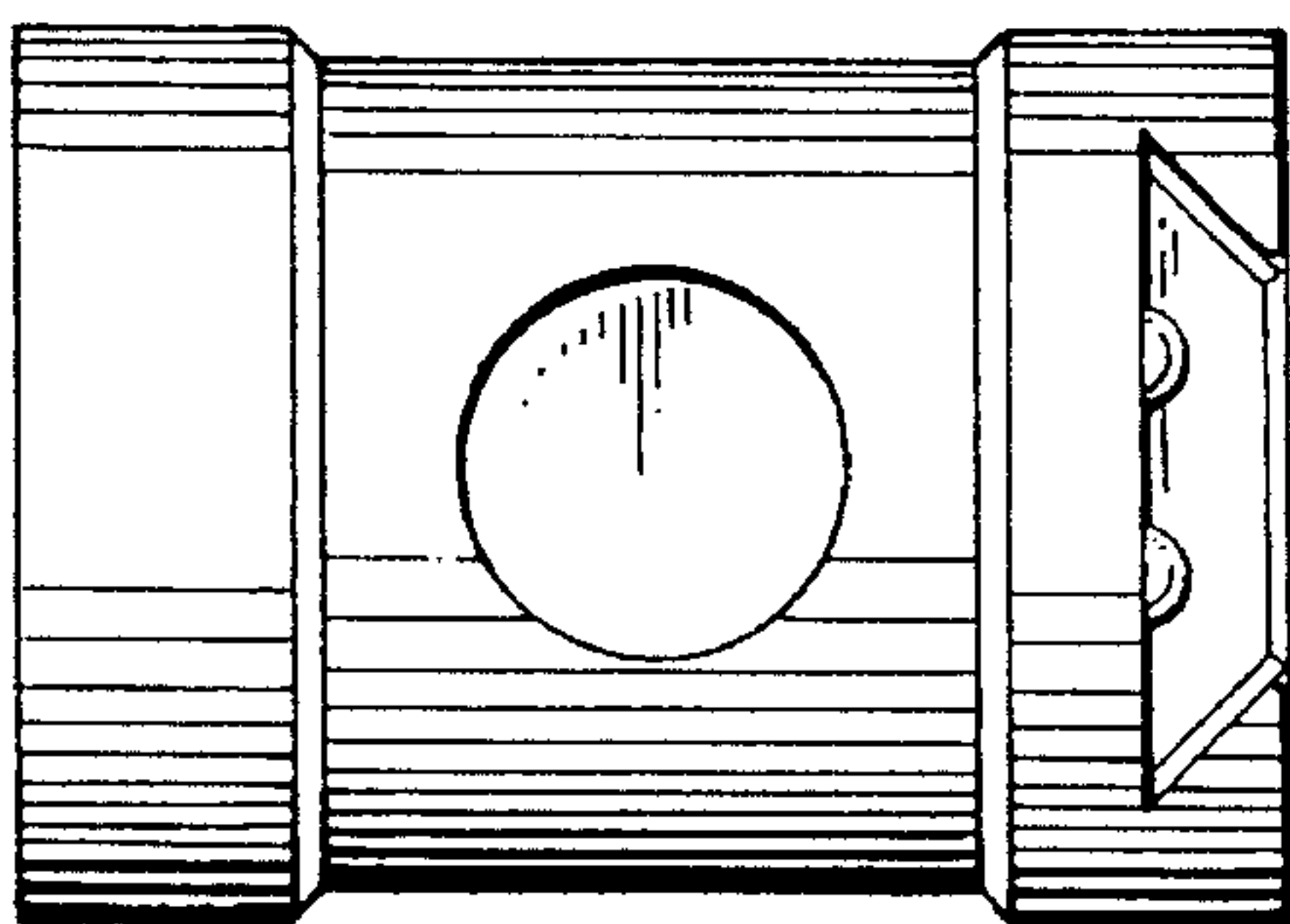


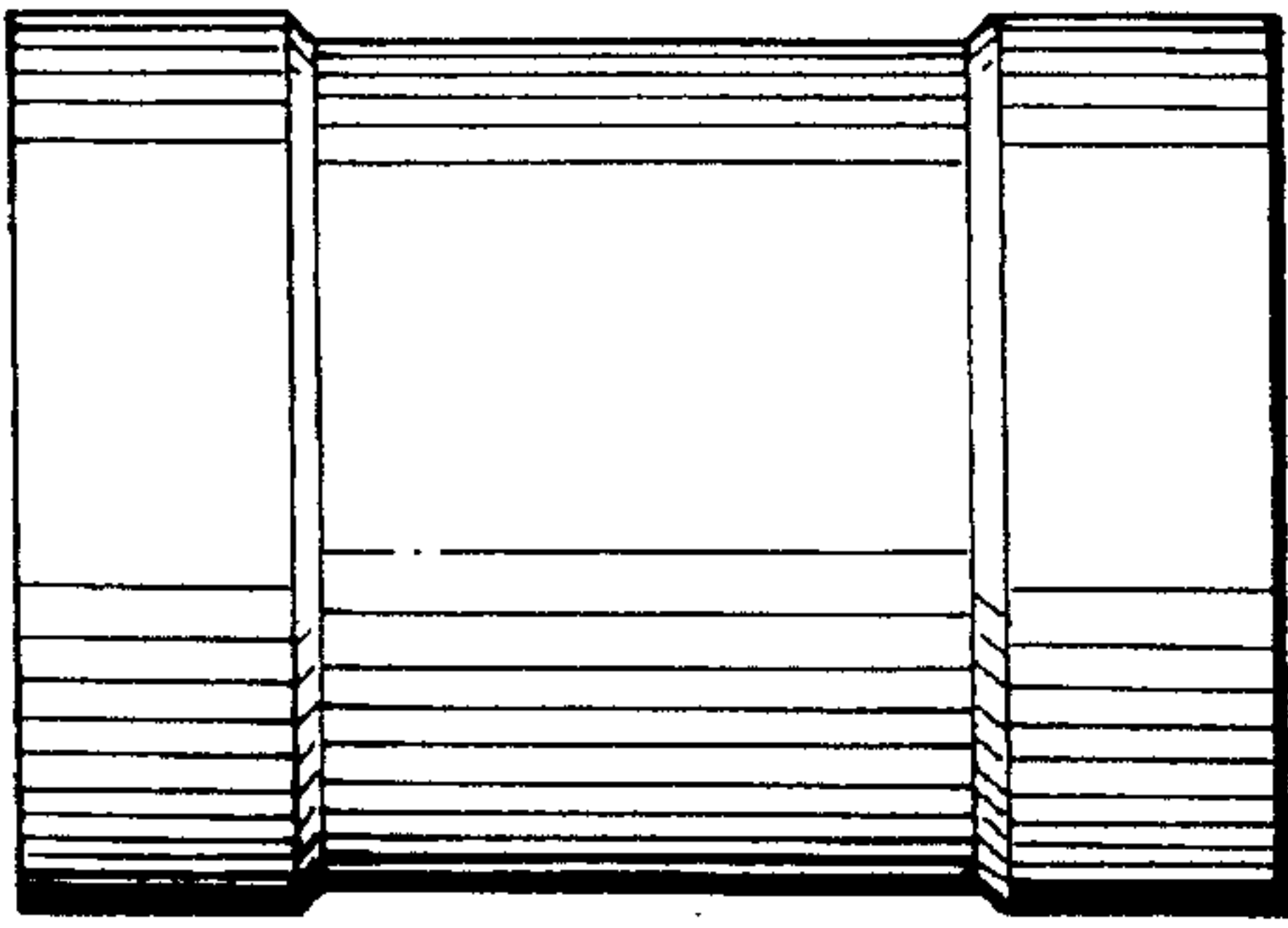
**Fig. 1**

**Fig. 2**

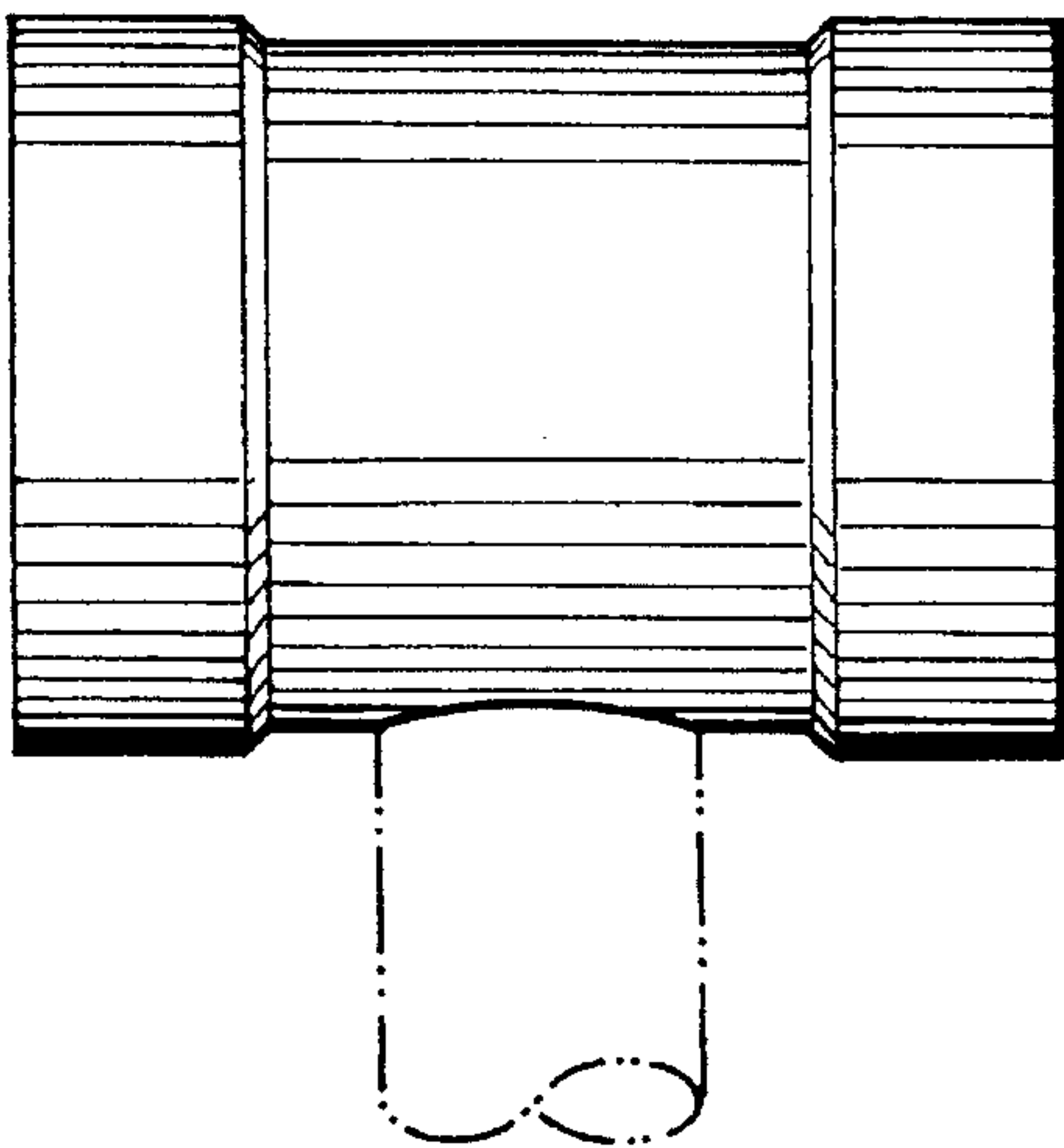


**Fig. 7**



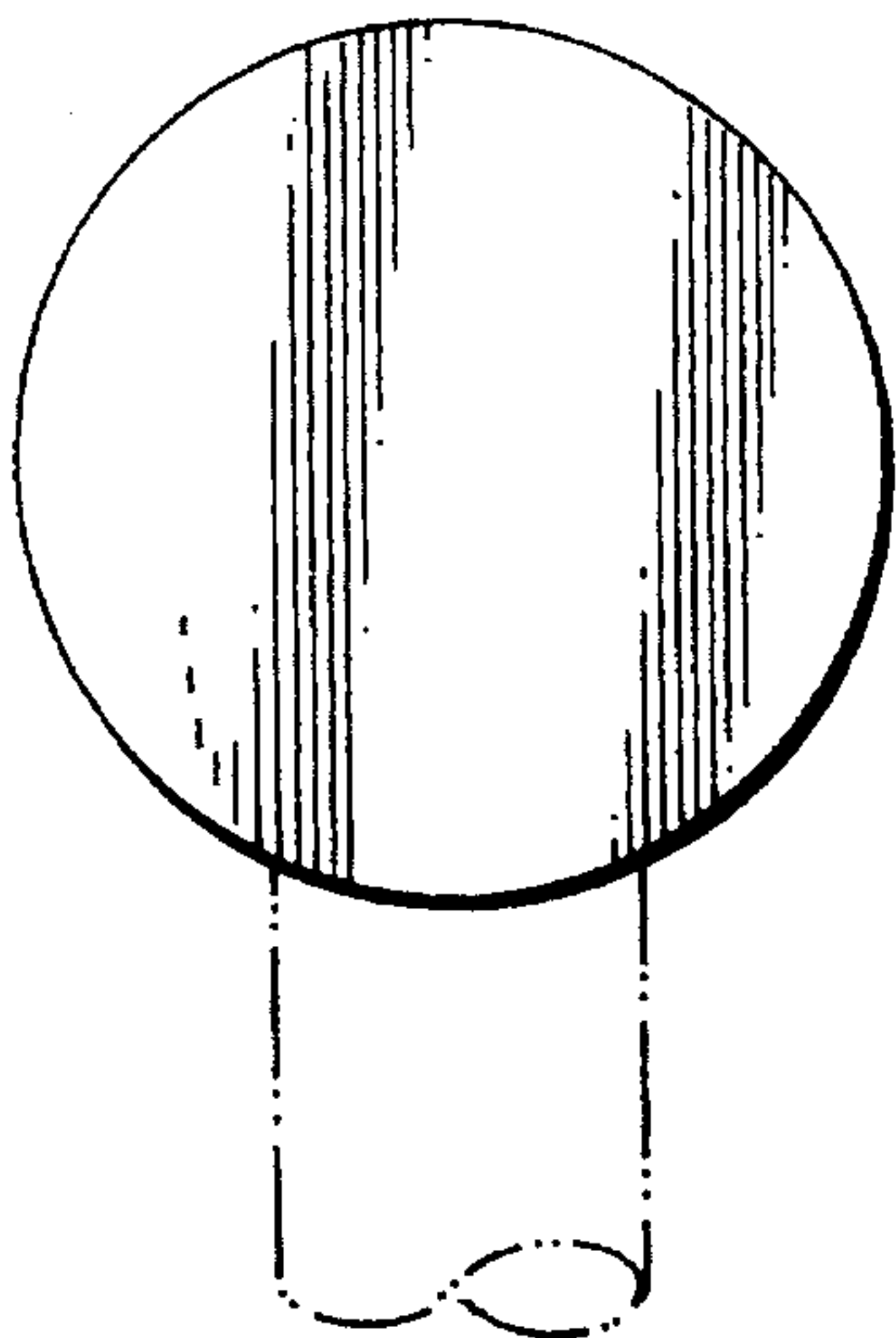


**Fig. 3**



**Fig. 4**

**Fig. 5**



**Fig. 6**

