



US00D373059S

United States Patent [19]

Hodges

[11] Patent Number: Des. 373,059

[45] Date of Patent: **Aug. 27, 1996

[54] SNAP RING INSERTION TOOL

4,908,925 3/1990 Johnson 29/260
5,018,261 5/1991 Markous 29/266

[76] Inventor: Douglas Hodges, 44200 Kingtree Ave.,
Unit 7, Lancaster, Calif. 92423

Primary Examiner—Philip S. Hyder
Attorney, Agent, or Firm—Roger A. Marrs

[**] Term: 14 Years

[57] CLAIM

[21] Appl. No.: 29,382

The ornamental design for a snap ring insertion tool, as shown and described.

[22] Filed: Oct. 4, 1994

[52] U.S. Cl. D8/51

DESCRIPTION

[58] Field of Search D8/51; 29/259,
29/260, 261, 262, 263, 266

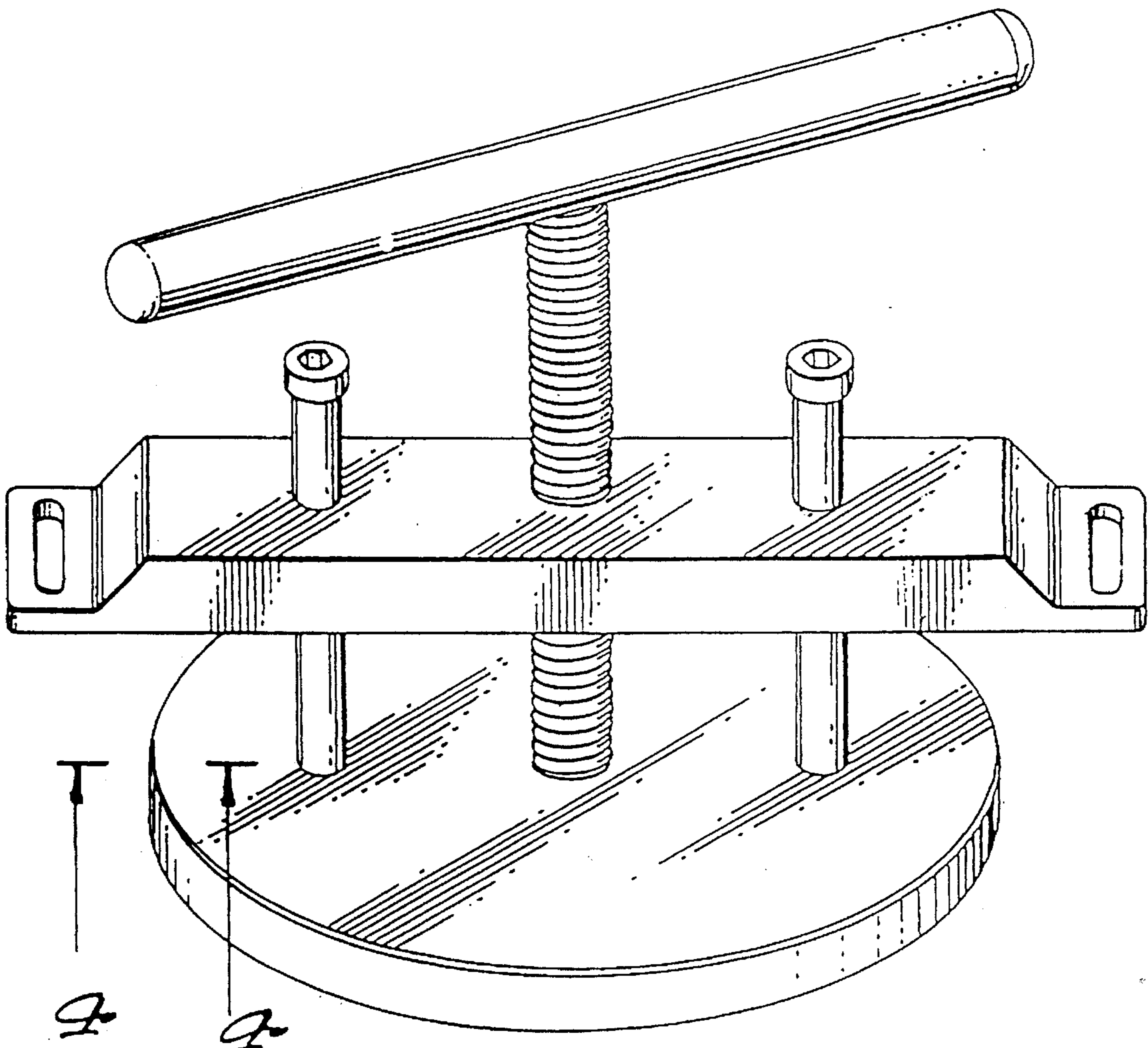
FIG. 1 is a front perspective view showing my new design for a snap ring insertion tool;
FIG. 2 is a side elevational view thereof with its opposite side being a mirror image thereof;
FIG. 3 is a bottom view thereof; and,
FIG. 4 is an enlarged fragmentary sectional view showing the depth of grooves as taken in the direction of arrows 4—4 of FIG. 1.

[56] References Cited

U.S. PATENT DOCUMENTS

D. 237,939	12/1975	Seminario	D8/51
D. 266,826	11/1982	McHaney	D8/51
3,200,483	8/1965	Menegoni	29/259
3,372,457	3/1968	Selby et al.	29/259
4,492,014	1/1985	Alexander	29/25
4,642,866	2/1987	Mortaugh	29/266

1 Claim, 1 Drawing Sheet



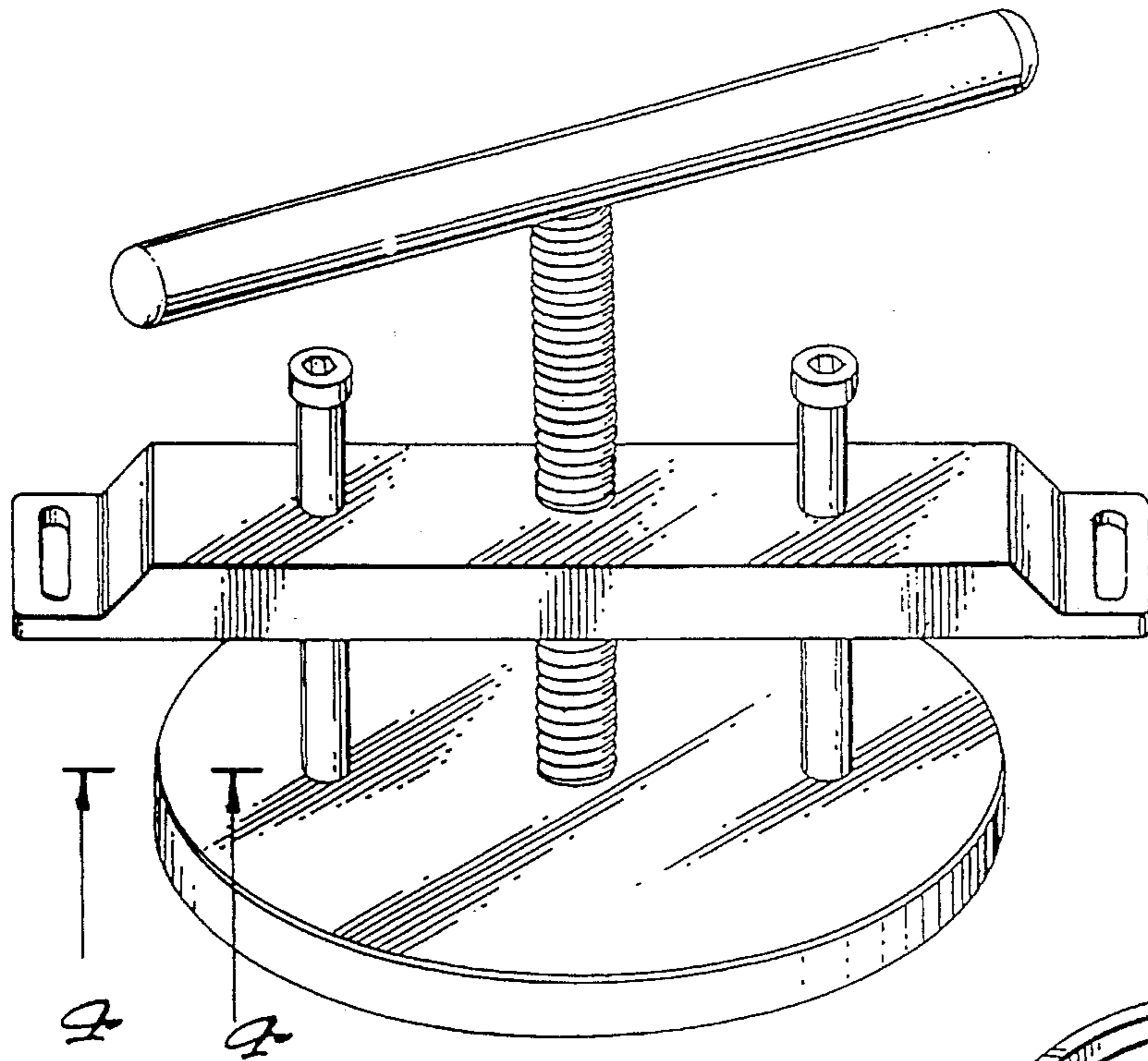


FIG. 1

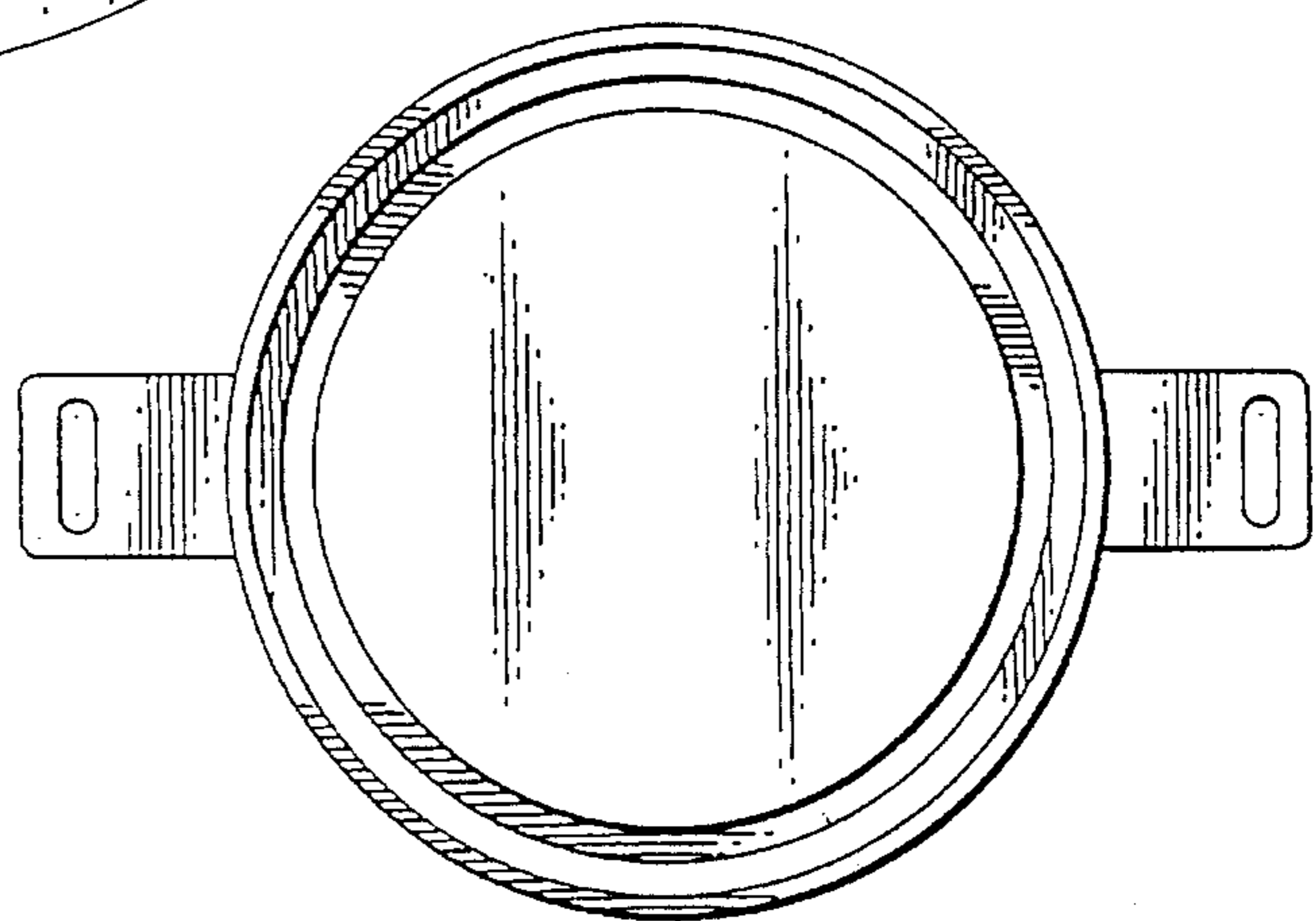


FIG. 3

FIG. 2

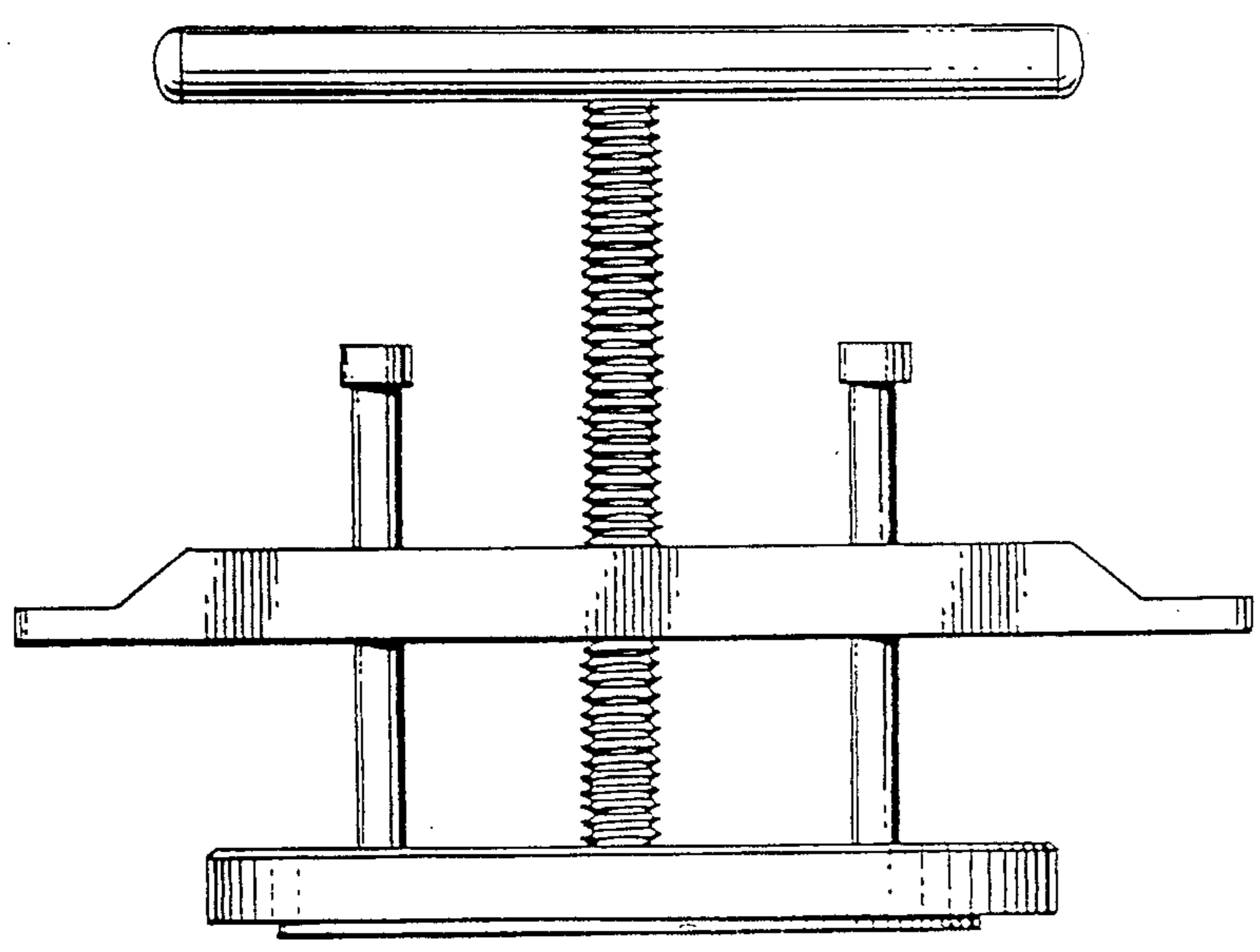


FIG. 4

