



US00D373056S

**United States Patent** [19]  
**Hueber**

[11] **Patent Number: Des. 373,056**  
[45] **Date of Patent: \*\*Aug. 27, 1996**

[54] **RAKE FOR GOLF COURSE SAND TRAPS**  
[75] Inventor: **David B. Hueber**, Ponte Vedra Beach, Fla.  
[73] Assignee: **D. B. Hueber Golf Company**, Ponte Vedra Beach, Fla.  
[\*\*] Term: **14 Years**  
[21] Appl. No.: **41,482**  
[22] Filed: **Jul. 17, 1995**  
[52] U.S. Cl. .... **D8/13**  
[58] **Field of Search** ..... D8/13, 107, 303; D21/221; 56/400.04, 400.21, 13.9; 172/380, 192, 197, 378; 273/162 F

*Primary Examiner*—Holly H. Baynham

[57] **CLAIM**

The ornamental design for a rake for golf course sand traps, as shown and described.

**DESCRIPTION**

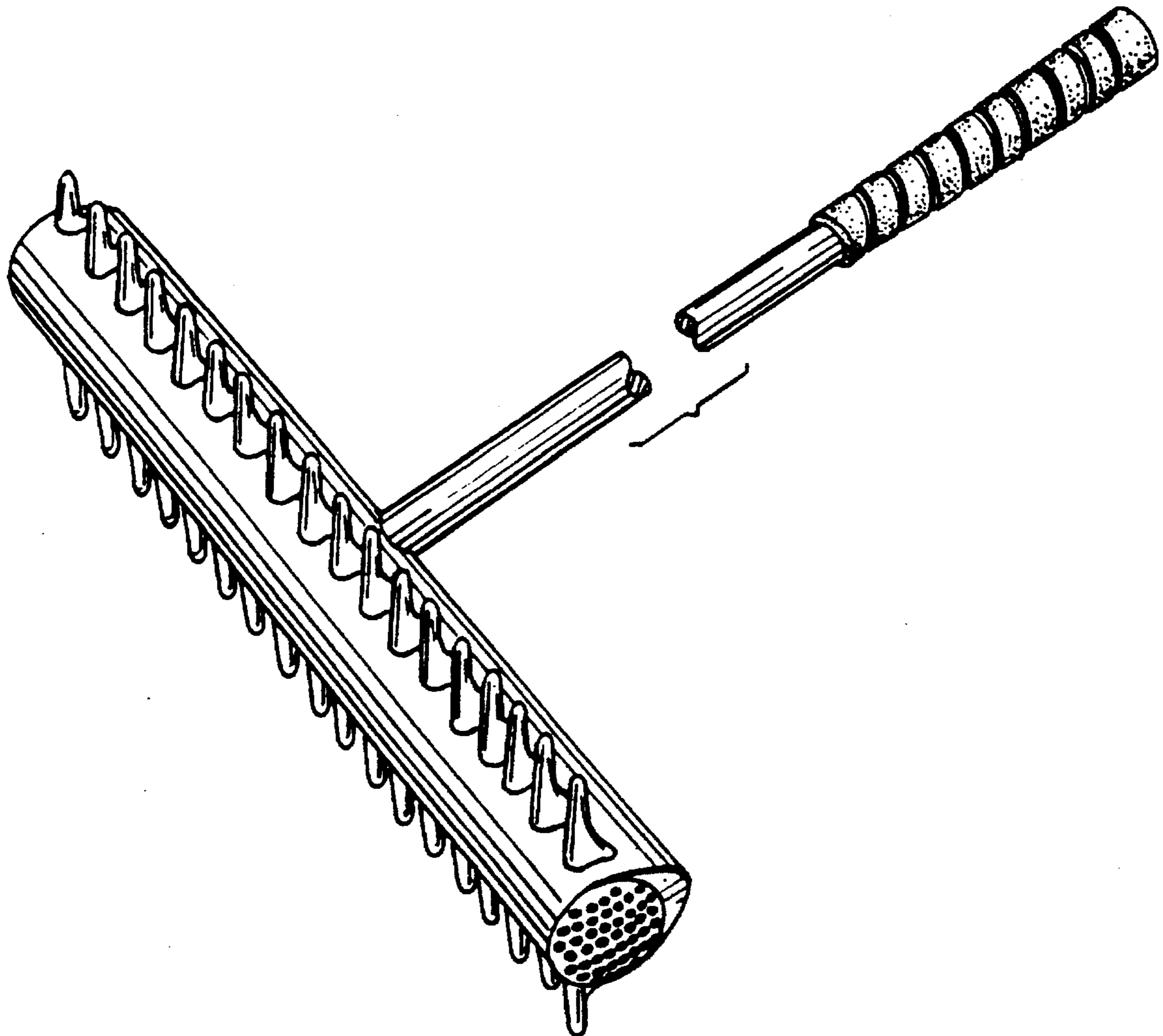
FIG. 1 is a perspective view of the rake for golf course sand traps;  
FIG. 2 is an enlarged right side elevational view of the rake for golf course sand traps, the left side elevational view being a mirror image thereof;  
FIG. 3 is a front elevational view of the rake for golf course sand traps;  
FIG. 4 is a bottom plan view of the rake for golf course sand traps;  
FIG. 5 is a rear elevational view of the rake for golf course sand traps; and,  
FIG. 6 is a top plan view of the rake for golf course sand traps.  
The claimed design is shown broken away in FIGS. 1, 3 and 5 for ease of illustration.

[56] **References Cited**

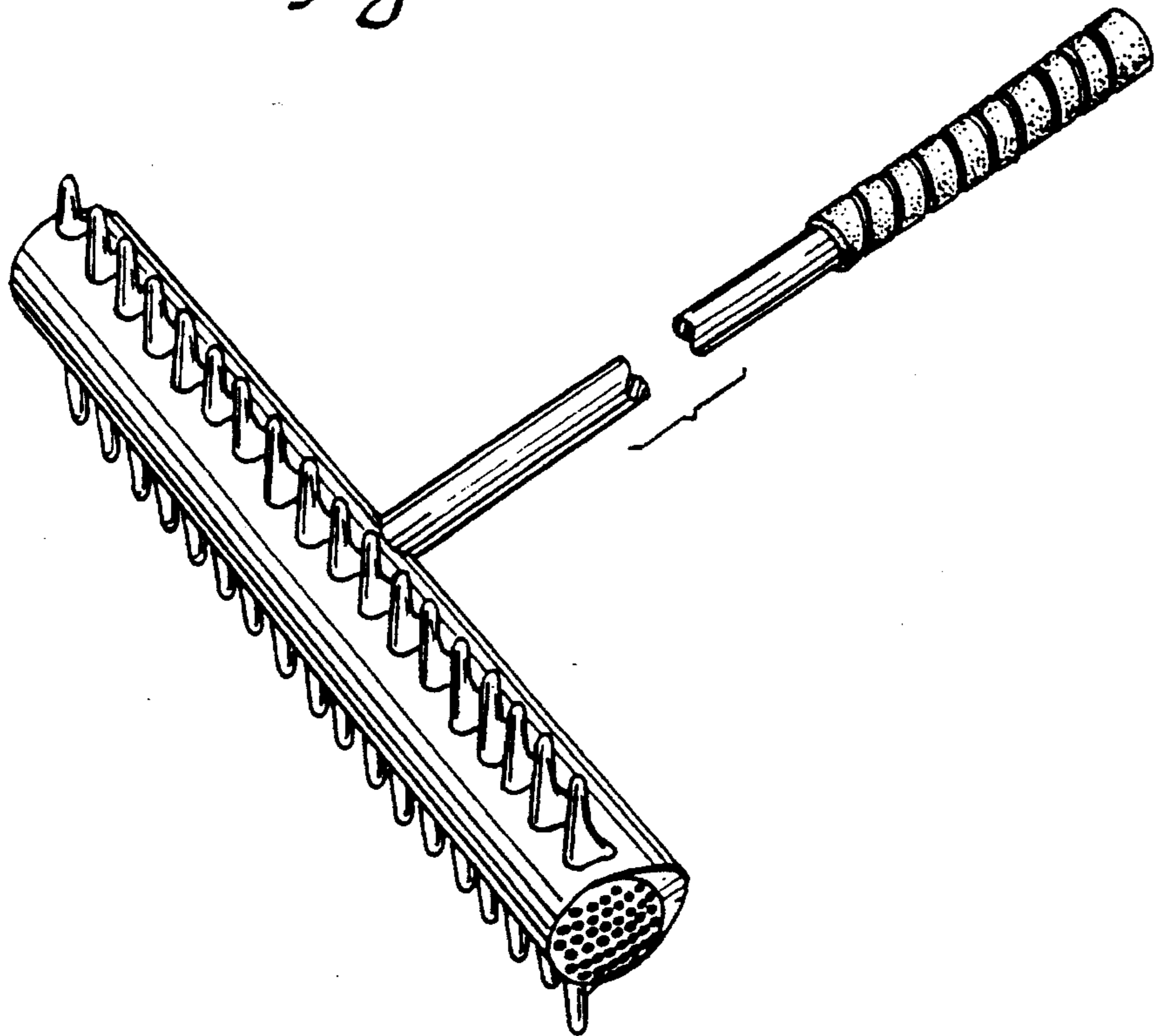
**U.S. PATENT DOCUMENTS**

D. 346,938	5/1994	Tucker	.....	D8/13
D. 350,464	9/1994	Colonello	.....	D8/13
2,779,374	1/1957	Clark	.....	D21/221 X
5,042,812	8/1991	Tillman	.....	56/400.04 X
5,179,825	1/1993	Griffiths et al.	.....	56/400.21 X

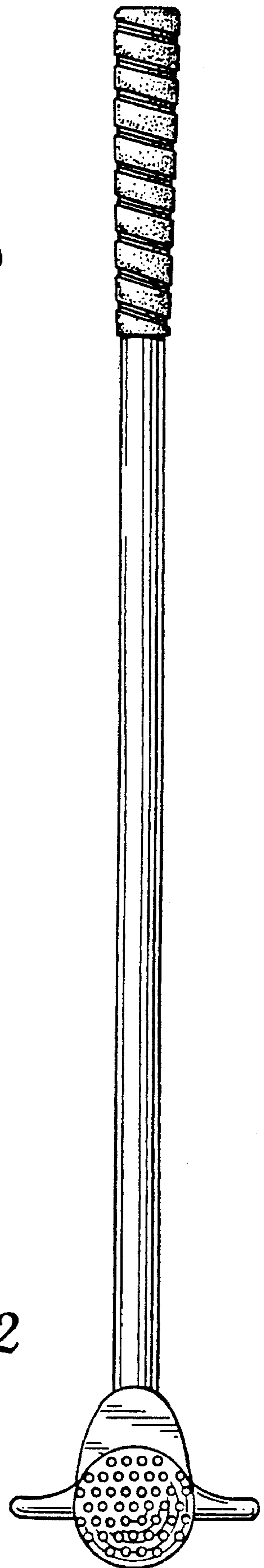
**1 Claim, 3 Drawing Sheets**



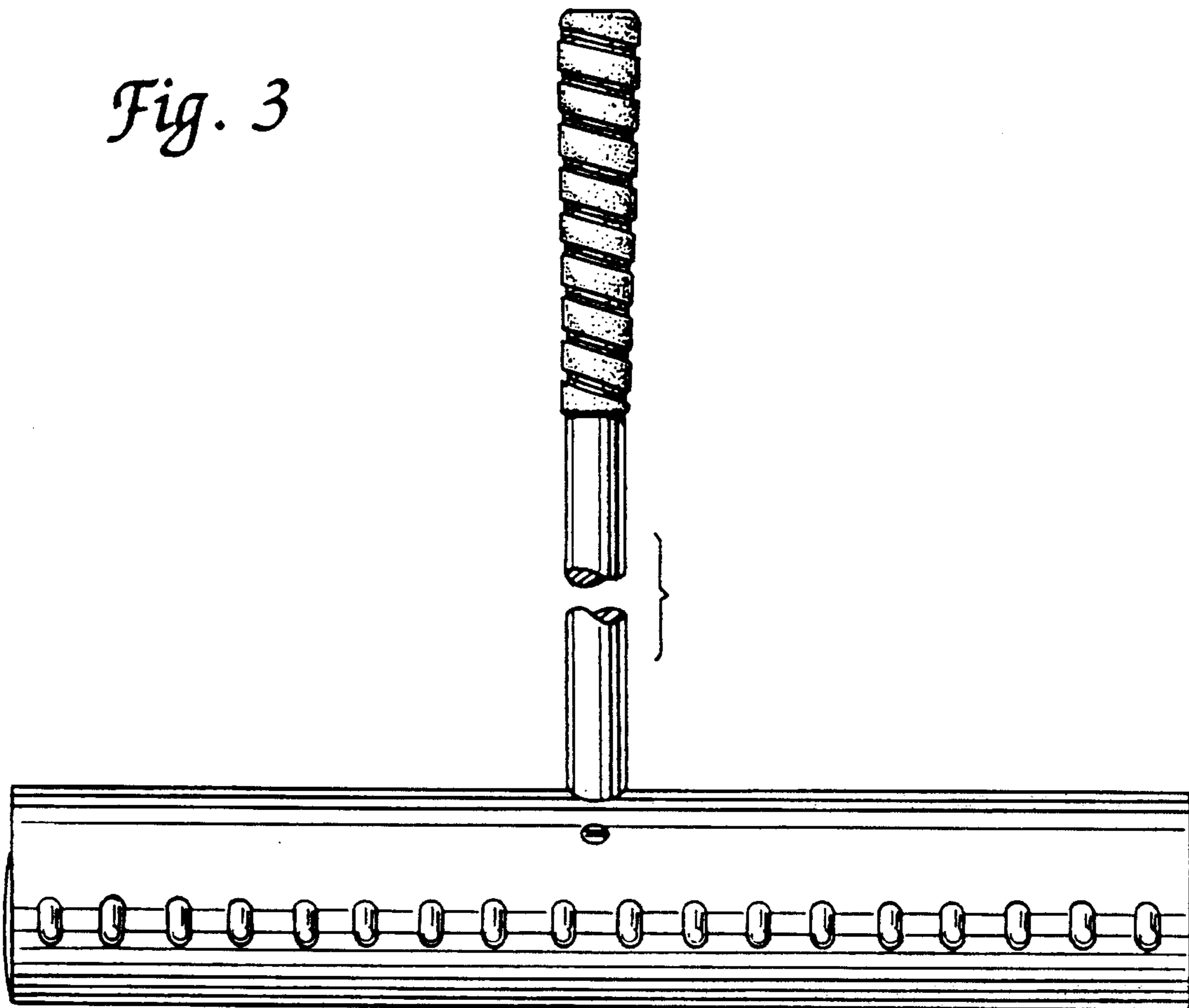
*Fig. 1*



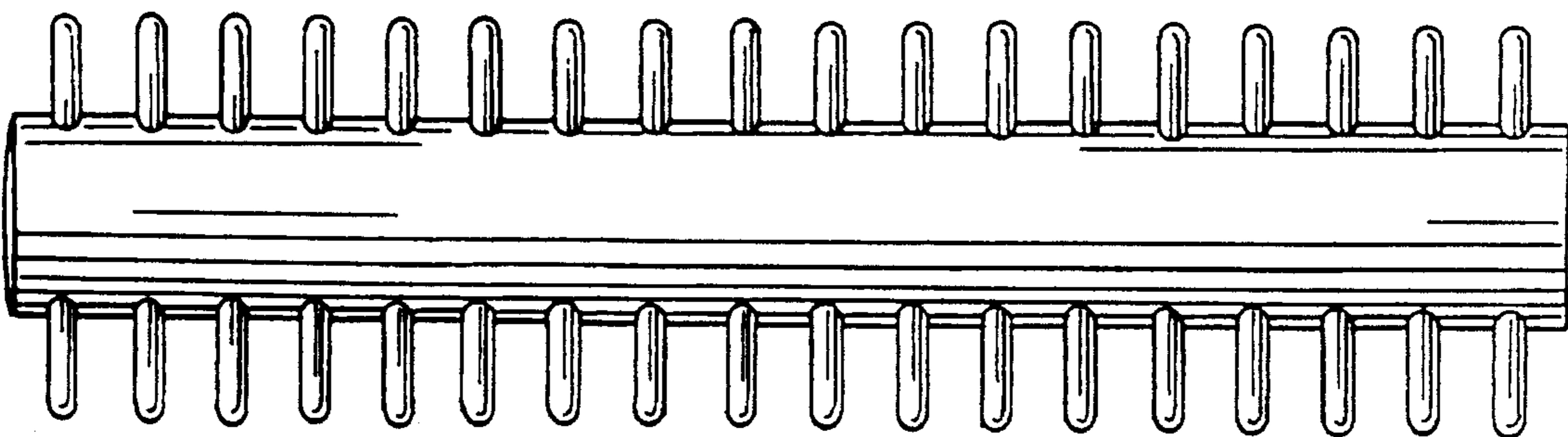
*Fig. 2*



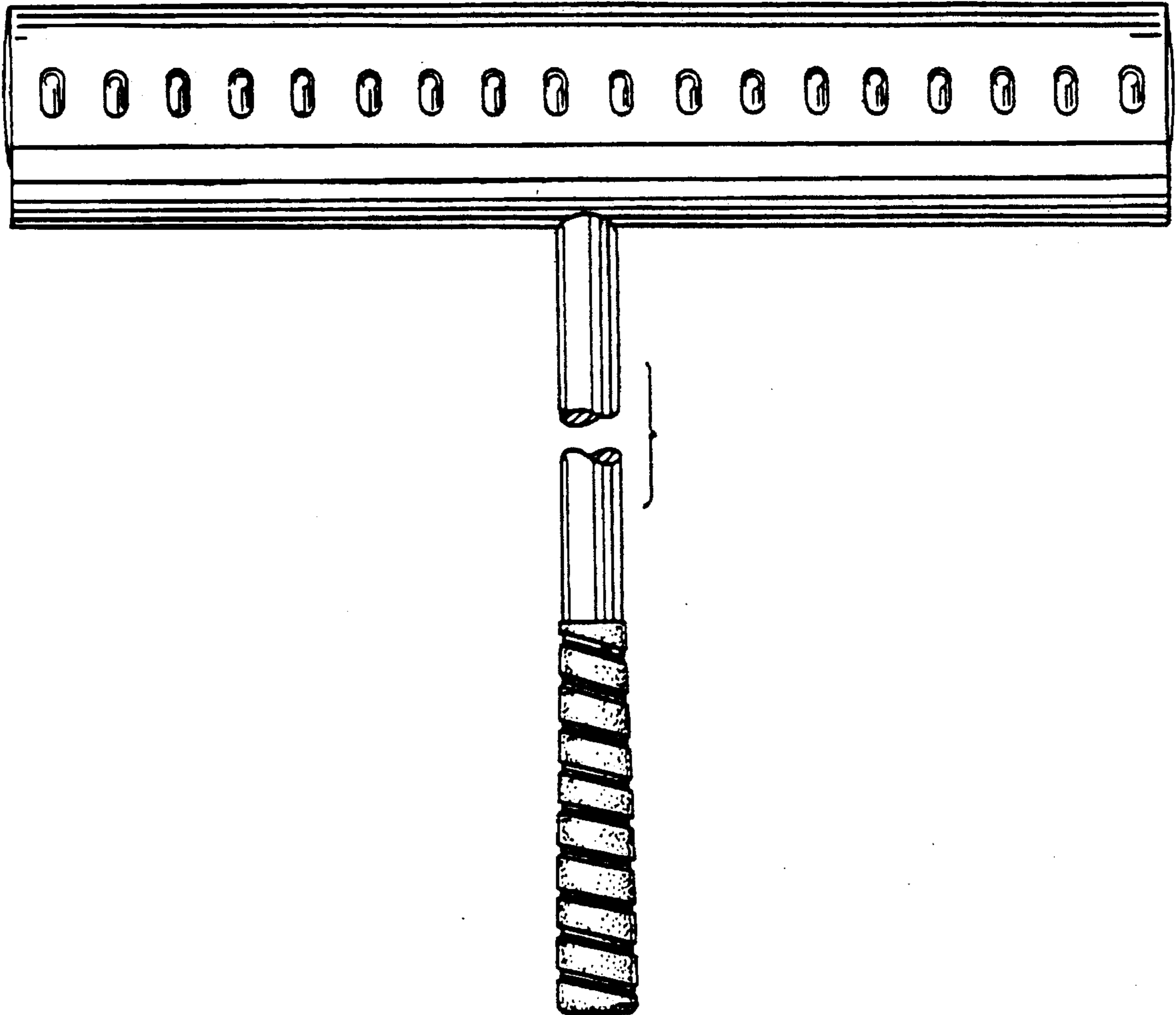
*Fig. 3*



*Fig. 4*



*Fig. 5*



*Fig. 6*

