



US00D373054S

United States Patent [19] Joergensen

[11] Patent Number: **Des. 373,054**
[45] Date of Patent: ****Aug. 27, 1996**

[54] COMBINED CARVING AND BREADBOARD

[75] Inventor: **Carsten Joergensen**, Kriens, Switzerland

[73] Assignee: **PI-Design AG**, Triengen, Switzerland

[**] Term: **14 Years**

[21] Appl. No.: **21,891**

[22] Filed: **Apr. 25, 1994**

[30] Foreign Application Priority Data

Oct. 25, 1993 [DK] Denmark 947/93

[52] U.S. Cl. **D7/698**

[58] Field of Search D7/698; D32/56; 269/289 R, 291, 302.1, 303, 315, 900

[56] References Cited

U.S. PATENT DOCUMENTS

D. 20,922	7/1891	Coben	D32/56
D. 230,553	3/1974	Terlizzi	D7/698
D. 317,849	7/1991	Adams	D7/698
648,632	5/1900	Parker	269/302.1 X
863,307	8/1907	McKenzie	269/289
1,212,040	1/1917	Fletcher	269/302.1
1,771,294	7/1930	Hackett	269/289 X
4,930,759	6/1990	Potter et al.	269/289 R X

Primary Examiner—Alan P. Douglas
Assistant Examiner—Caron D. Veynar
Attorney, Agent, or Firm—Gipple & Hale

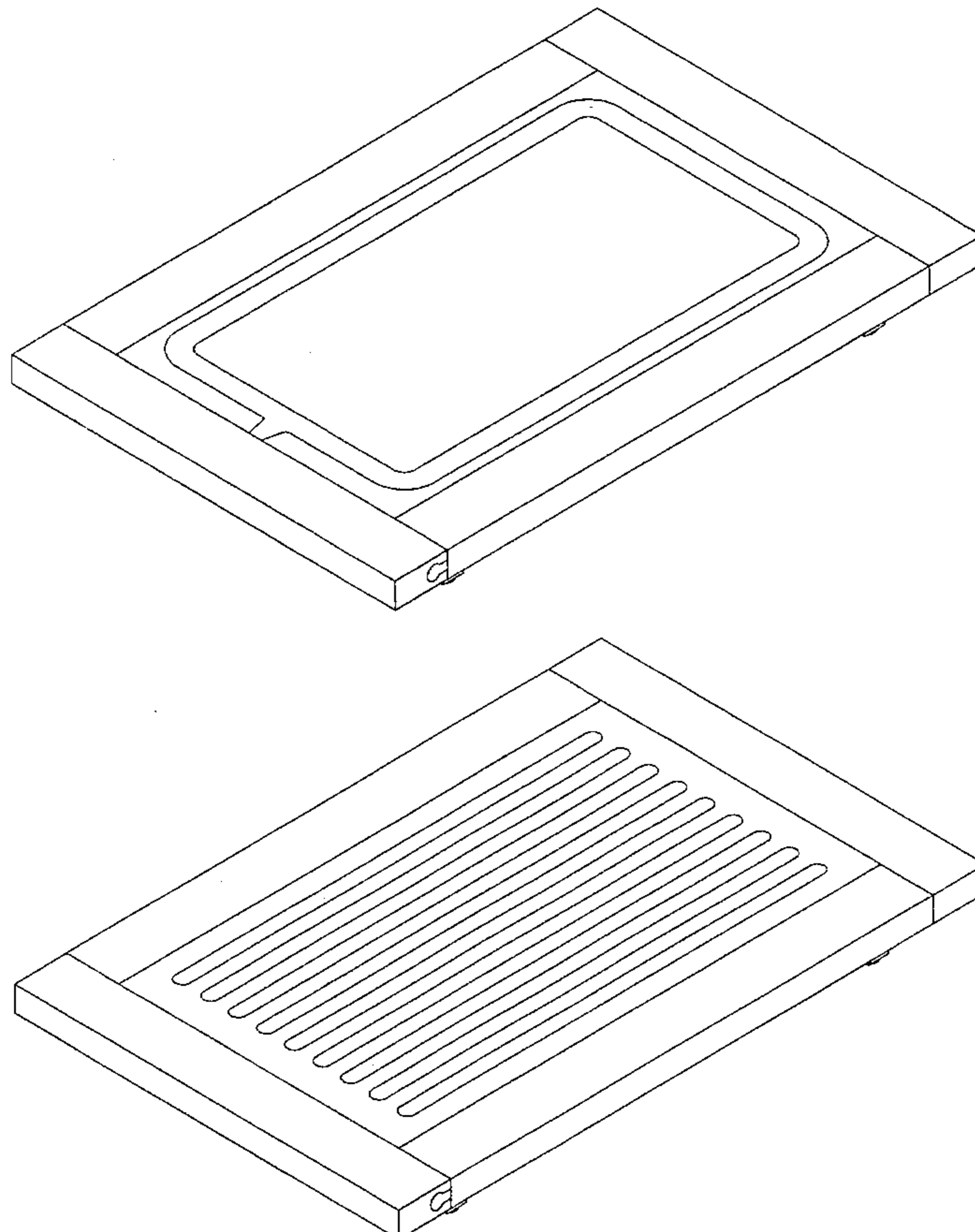
[57] CLAIM

The ornamental design for a combined carving and breadboard, as shown and described.

DESCRIPTION

FIG. 1 is a perspective view of a combined carving and breadboard showing my new design;
 FIG. 2 is a top plan view of the combined carving and breadboard;
 FIG. 3 is a bottom plan view of the combined carving and breadboard;
 FIG. 4 is a front elevation view of the combined carving and breadboard;
 FIG. 5 is a rear elevation view of the combined carving and breadboard;
 FIG. 6 is a left side view of the combined carving and breadboard;
 FIG. 7 is a right side view of the combined carving and breadboard;
 FIG. 8 is a perspective view of the combined carving and breadboard with the board in an alternate position;
 FIG. 9 is a top plan view of the combined carving and breadboard with the board in an alternate position;
 FIG. 10 is a cross section view taken along line 10—10 on FIG. 9; and,
 FIG. 11 is a cross section view taken along line 11—11 on FIG. 2.

1 Claim, 11 Drawing Sheets



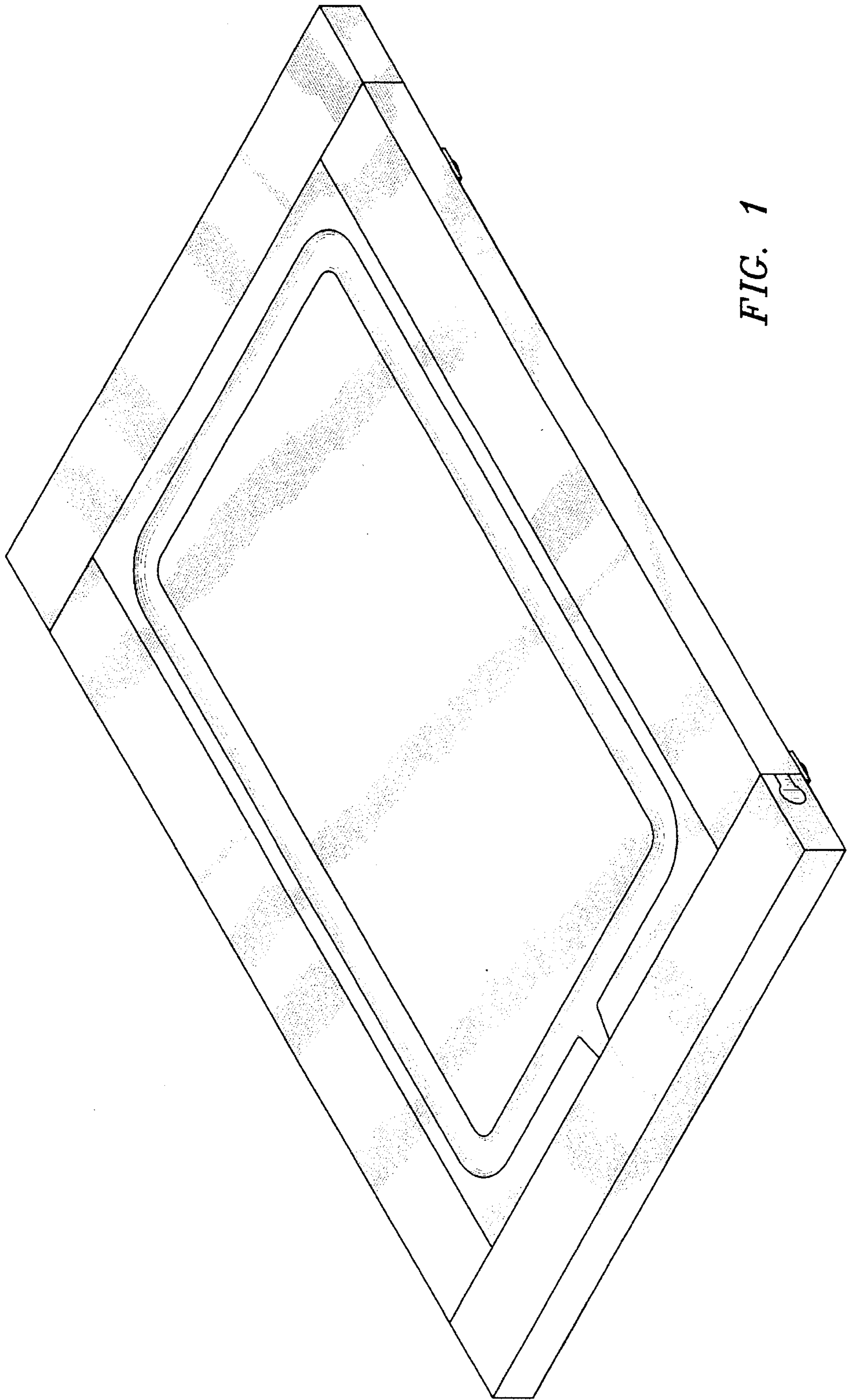


FIG. 1

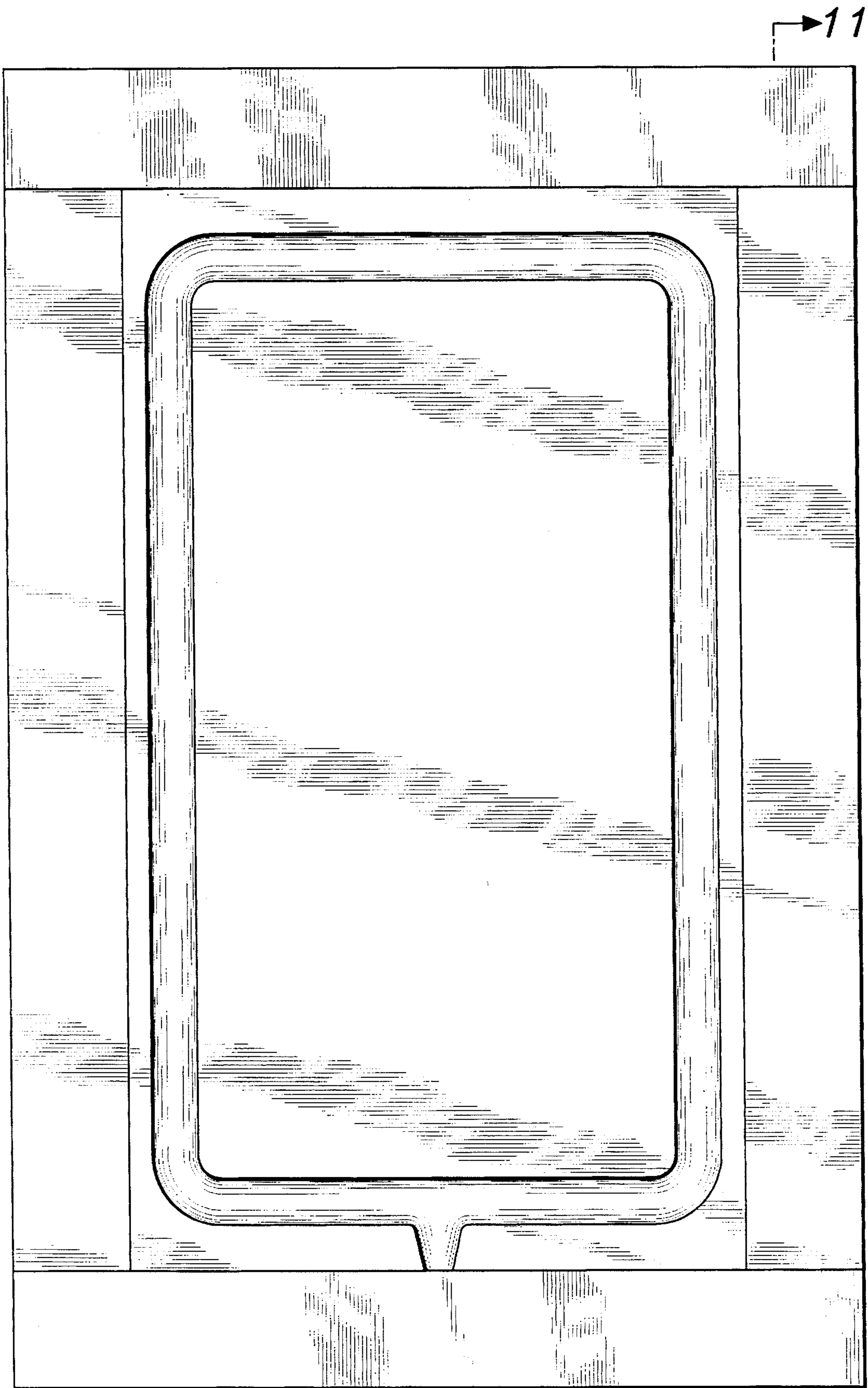


FIG. 2

11

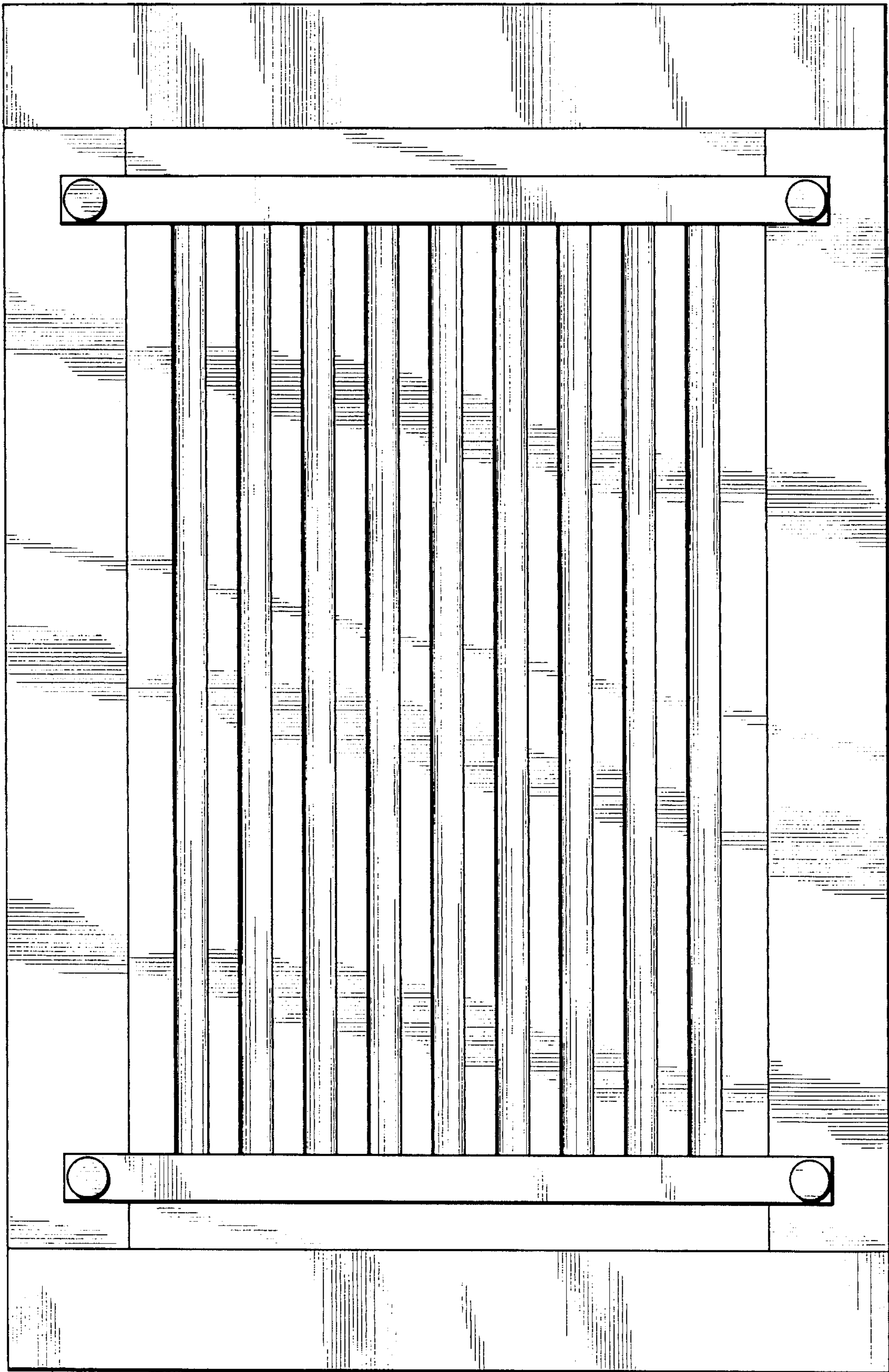


FIG. 3

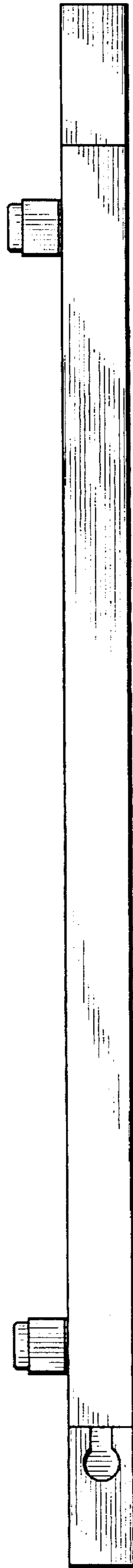


FIG. 4

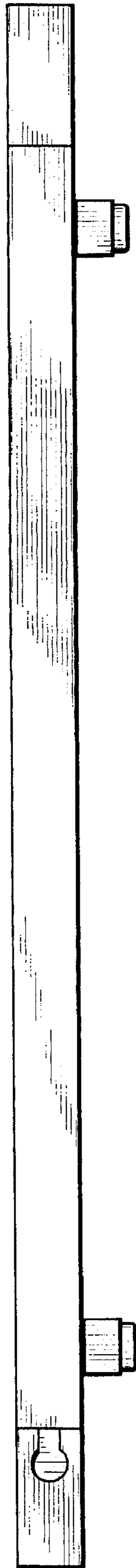


FIG. 5

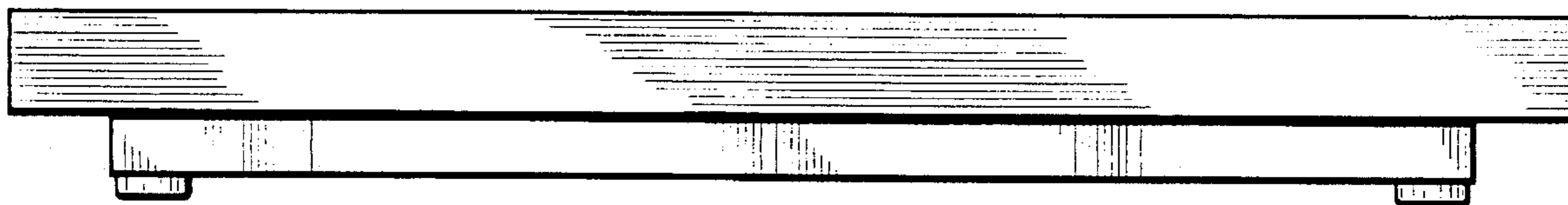


FIG. 6

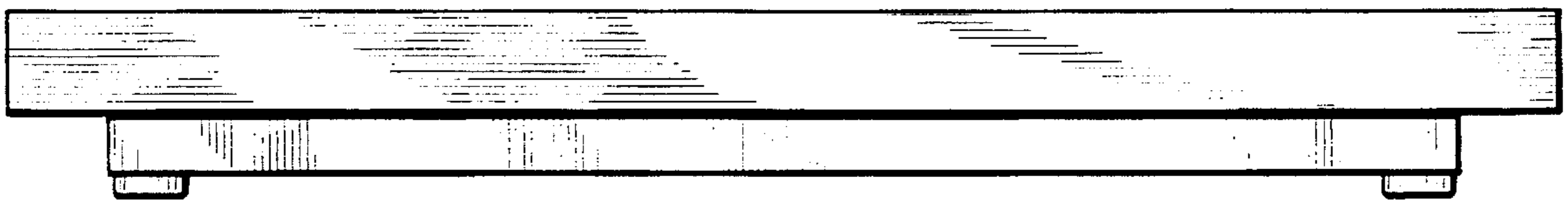


FIG. 7

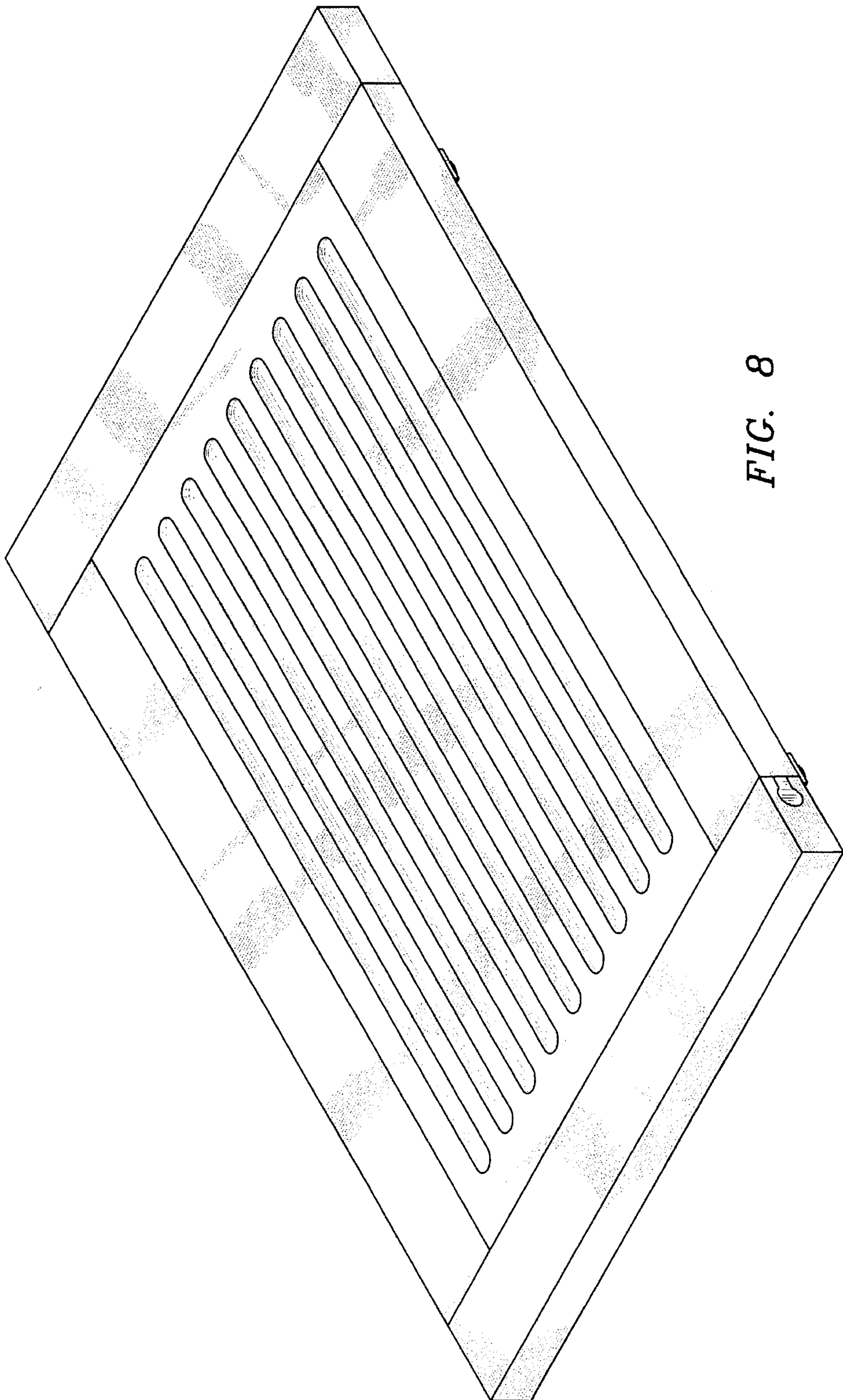


FIG. 8

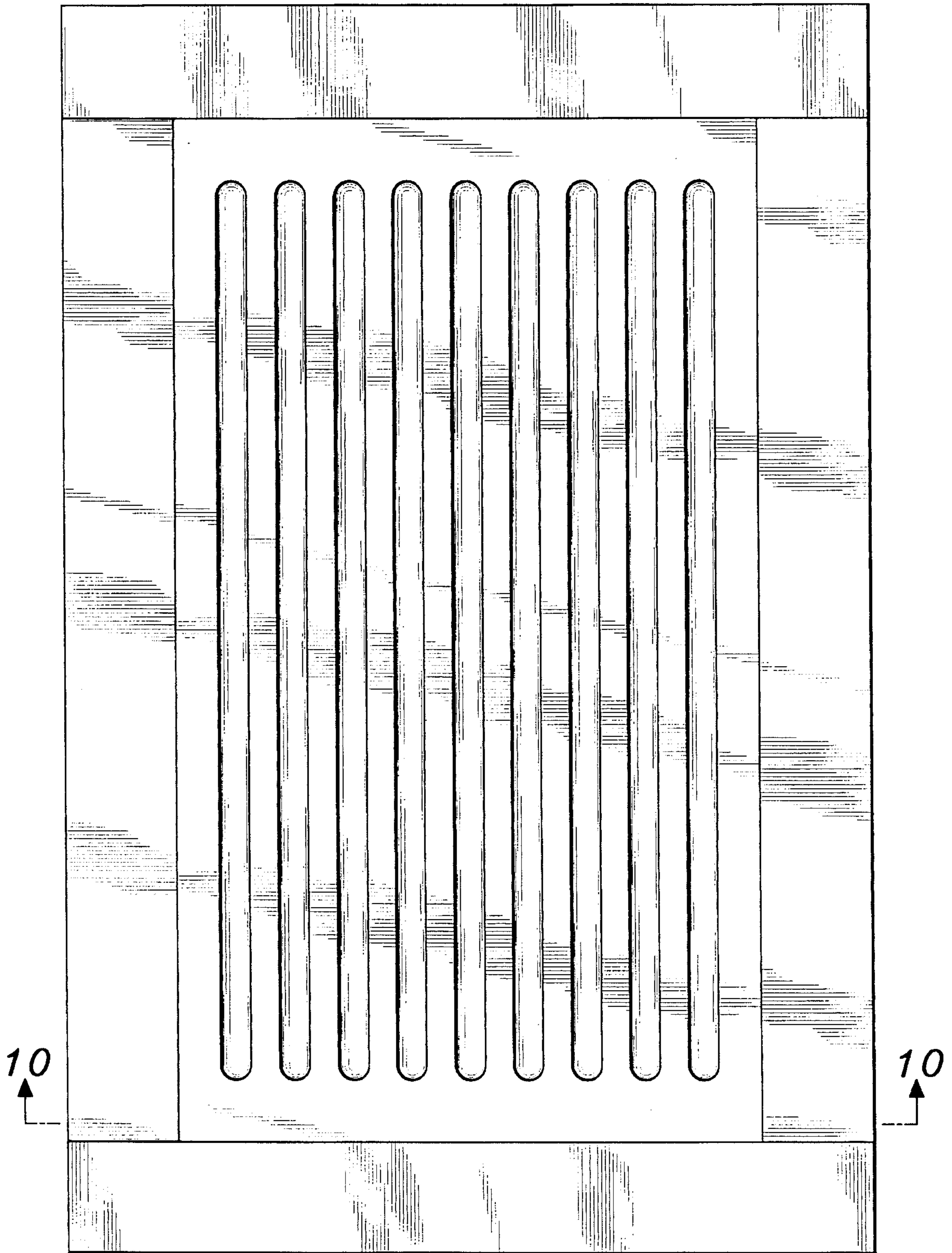


FIG. 9

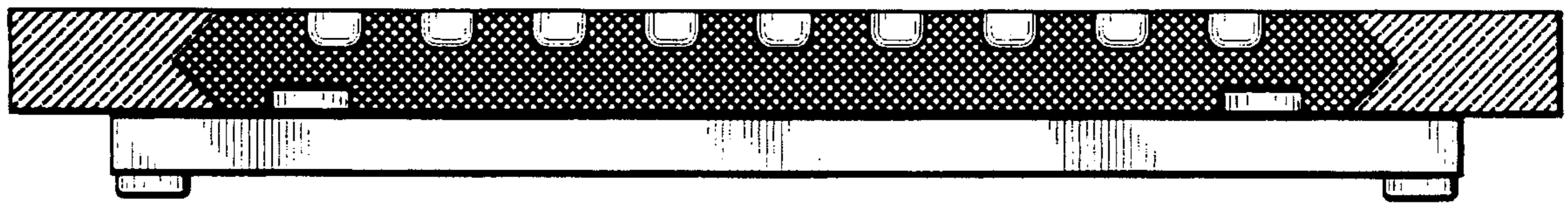


FIG. 10

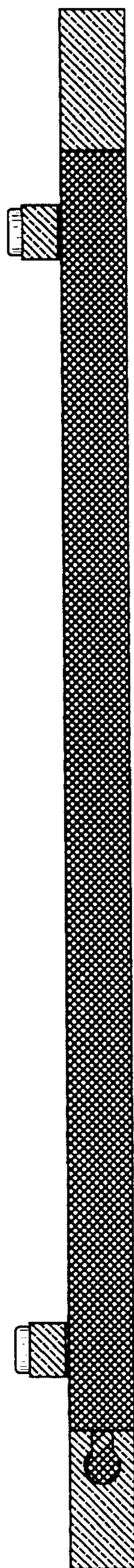


FIG. 11