



US00D373051S

United States Patent [19]

Kramer et al.

[11] Patent Number: **Des. 373,051**

[45] Date of Patent: ****Aug. 27, 1996**

[54] TRAVEL COFFEE MUG

[76] Inventors: **Jeffrey A. Kramer**, 1241 NE. 83rd St., Miami, Fla. 33138; **William W. Rosenfeld**, 8501 SW. 30 St., Davie, Fla. 33328

[**] Term: **14 Years**

[21] Appl. No.: **45,553**

[22] Filed: **Oct. 23, 1995**

D. 255,858	7/1980	Ashton	D7/536
D. 263,916	4/1982	Reece	D7/510
D. 293,293	12/1987	Isles	D7/536 X
D. 321,455	11/1991	Duquaine, Jr. et al.	D7/536 X
D. 331,684	12/1992	Trombley	D7/536
D. 334,869	4/1993	Mills	D7/536
D. 346,933	5/1994	Denny et al.	D7/536

Primary Examiner—M. N. Pandozzi
Attorney, Agent, or Firm—Malloy & Malloy, P.A.

[57] CLAIM

The ornamental design for a travel coffee mug, as shown and described.

Related U.S. Application Data

- [62] Division of Ser. No. 35,023, Feb. 17, 1995.
- [52] U.S. Cl. **D7/536; D7/533**
- [58] Field of Search D7/507, 509, 536, D7/510, 511, 513, 514, 515, 523, 530, 531, 532, 533, 534, 605, 619, 622, 624; 220/505, 671, 672

DESCRIPTION

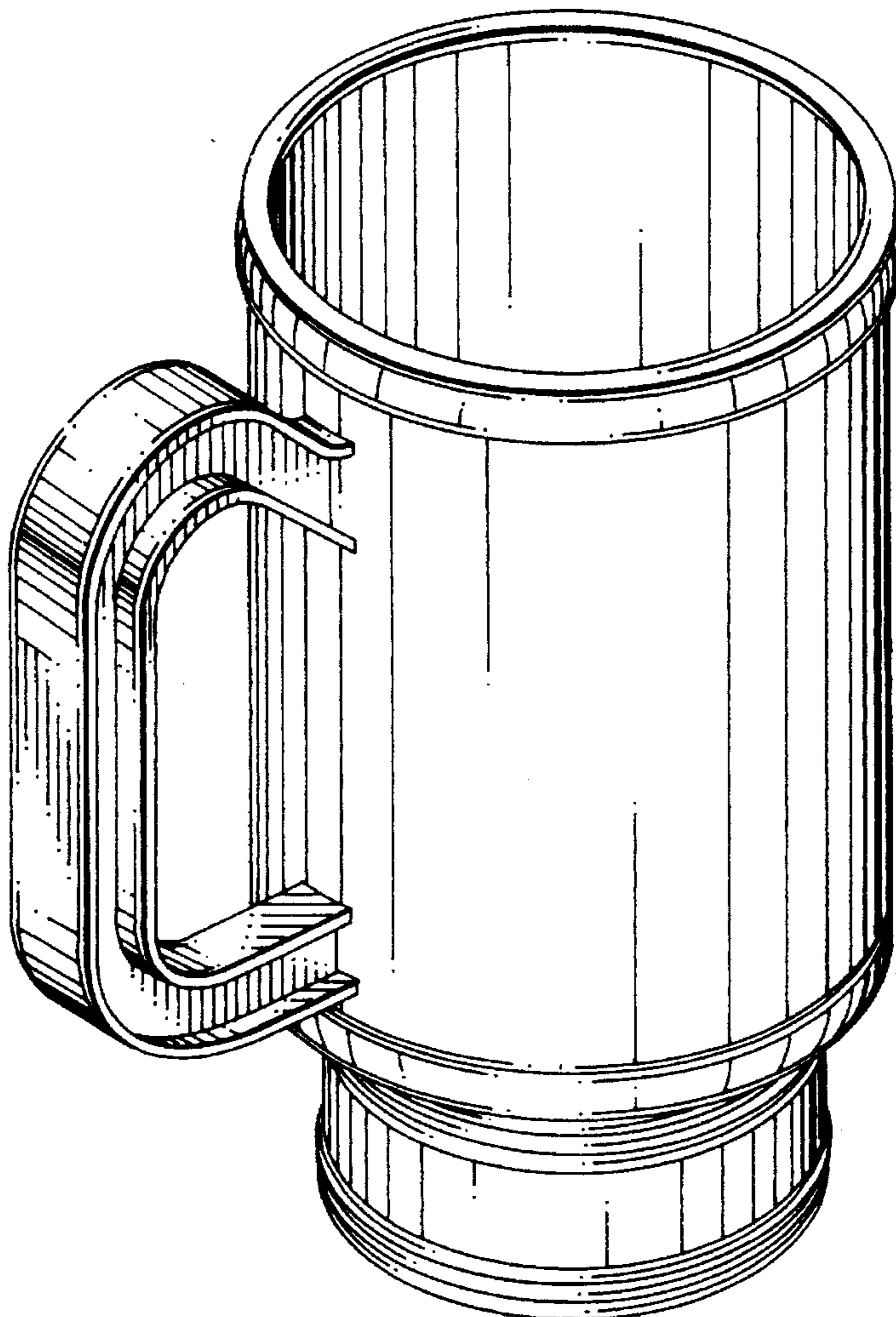
FIG. 1 is a perspective view of a travel coffee mug showing my new design;
 FIG. 2 is a front elevational view thereof, the rear elevational view being a mirror image thereof;
 FIG. 3 is a right side elevational view thereof;
 FIG. 4 is a left side elevational view thereof;
 FIG. 5 is a top plan view thereof; and,
 FIG. 6 is a bottom plan view thereof.

[56] References Cited

U.S. PATENT DOCUMENTS

- D. 226,446 3/1973 Wilton D7/536 X
- D. 247,839 5/1978 Ashton D7/507

1 Claim, 1 Drawing Sheet



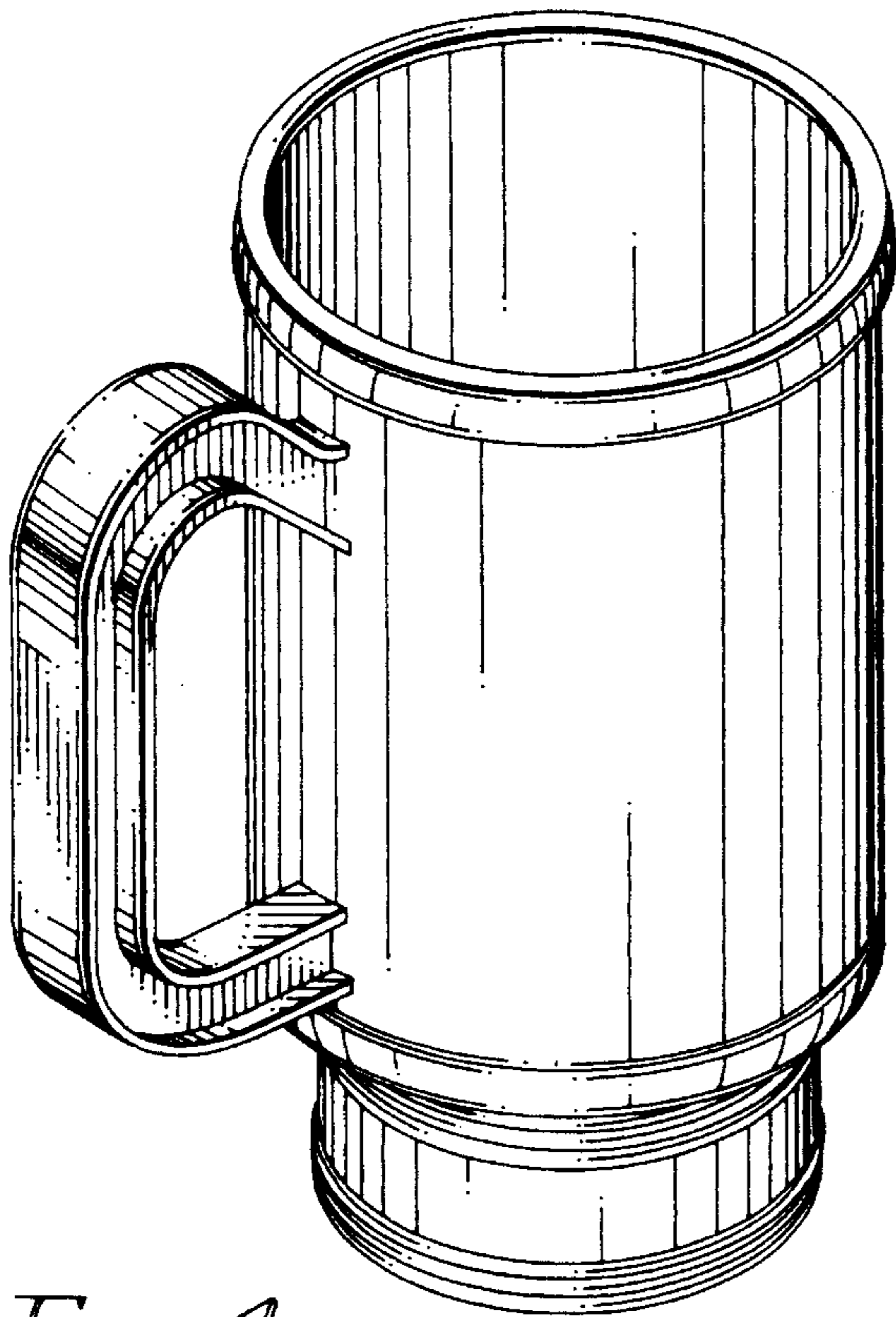


FIG. 1

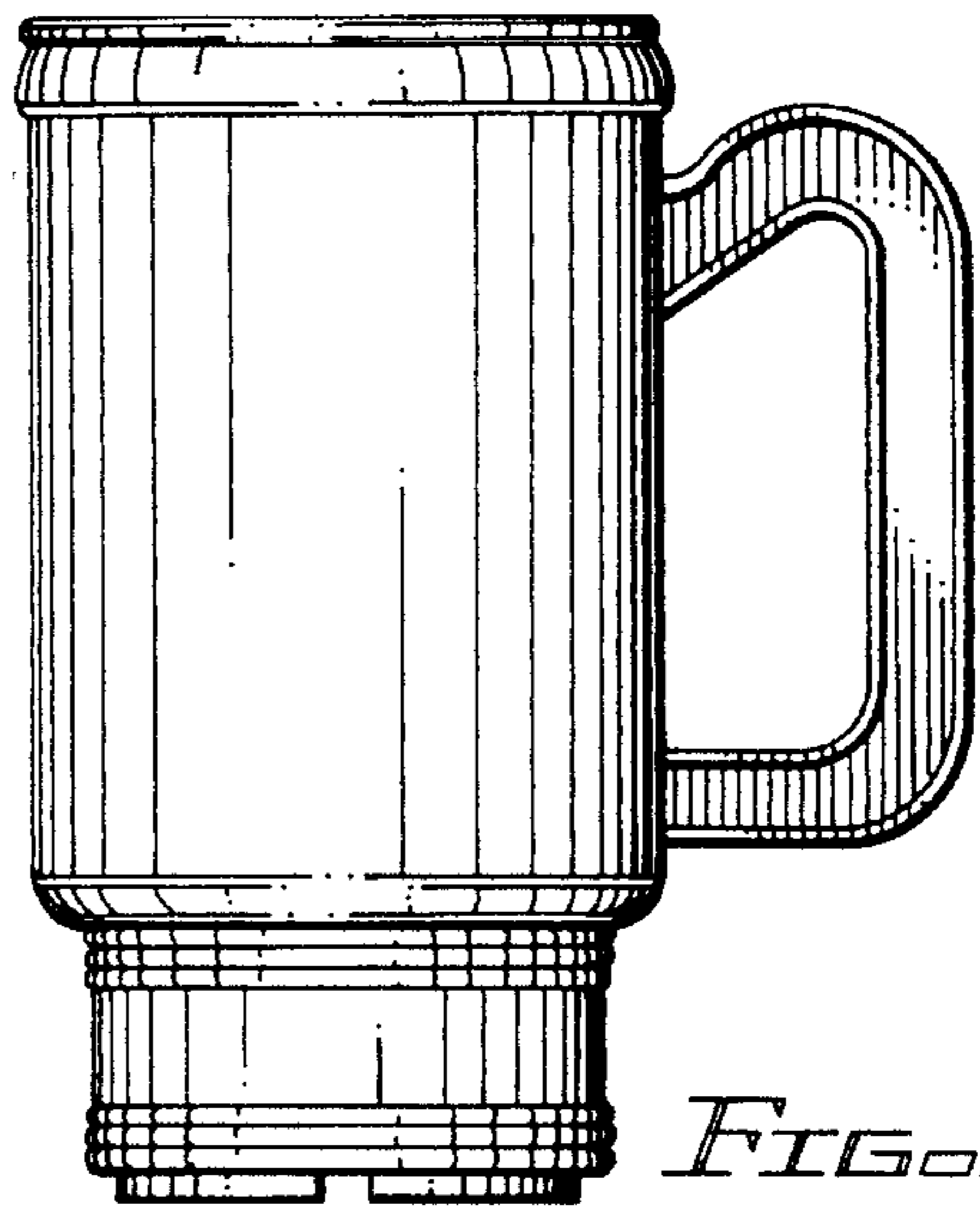


FIG. 2

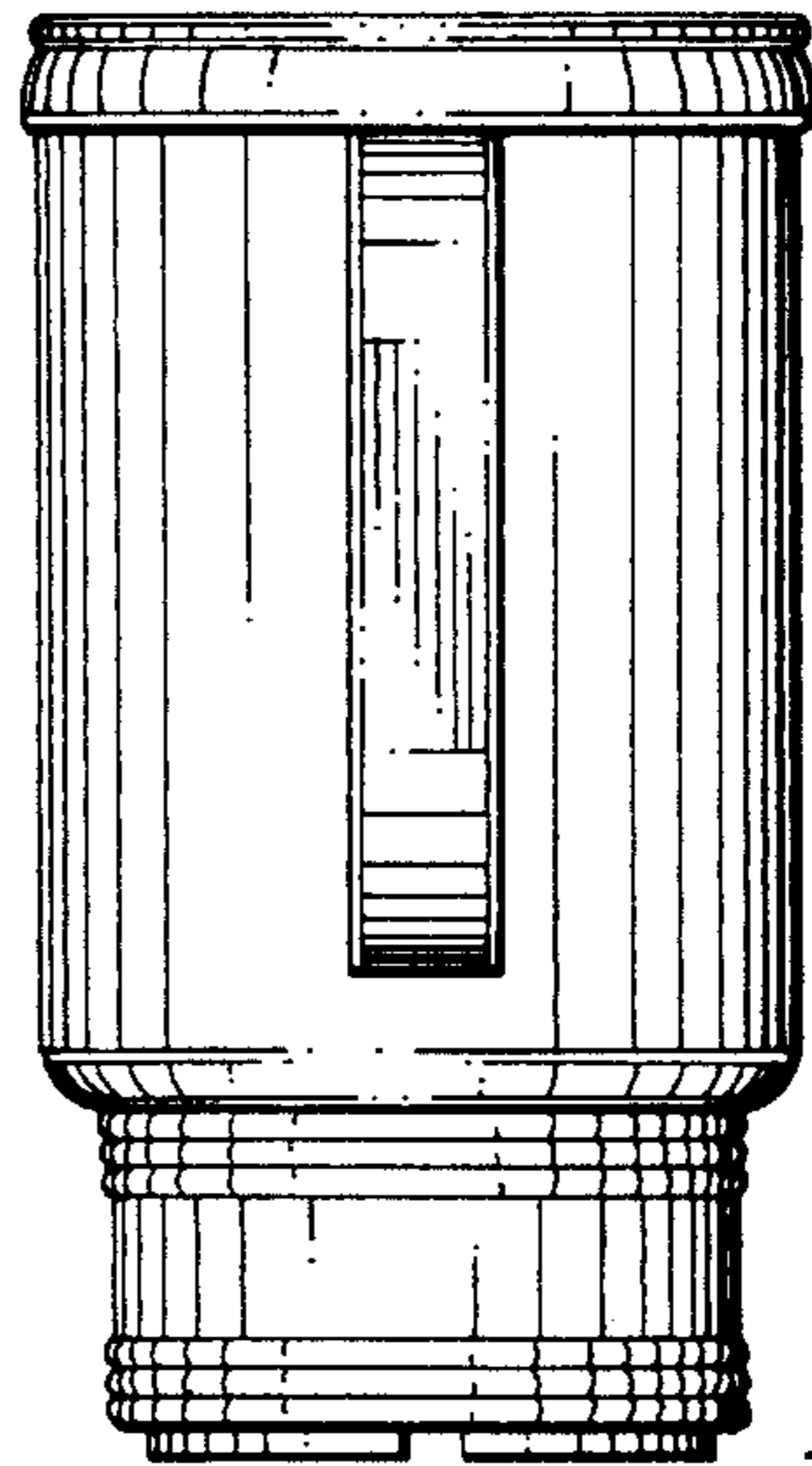


FIG. 3

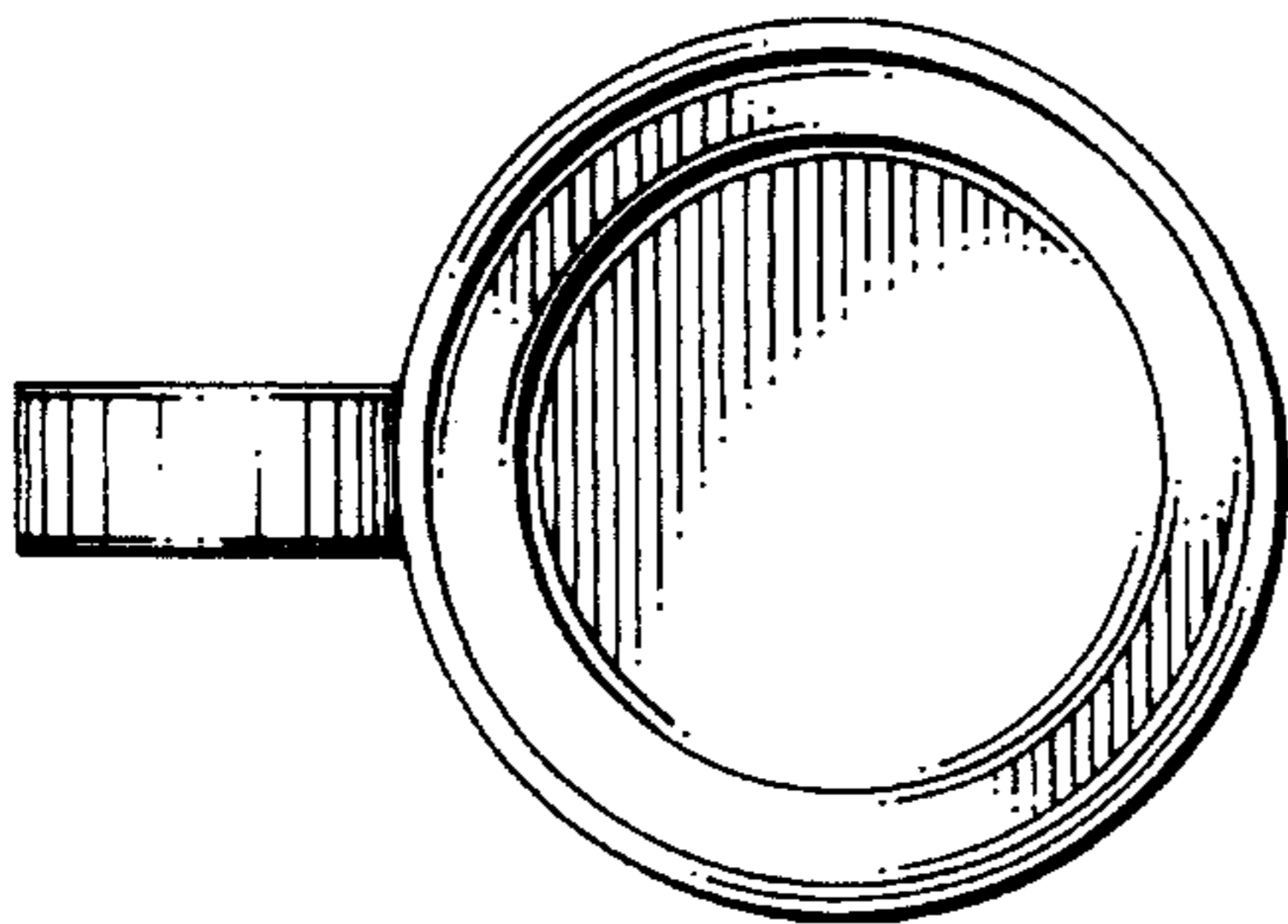


FIG. 5

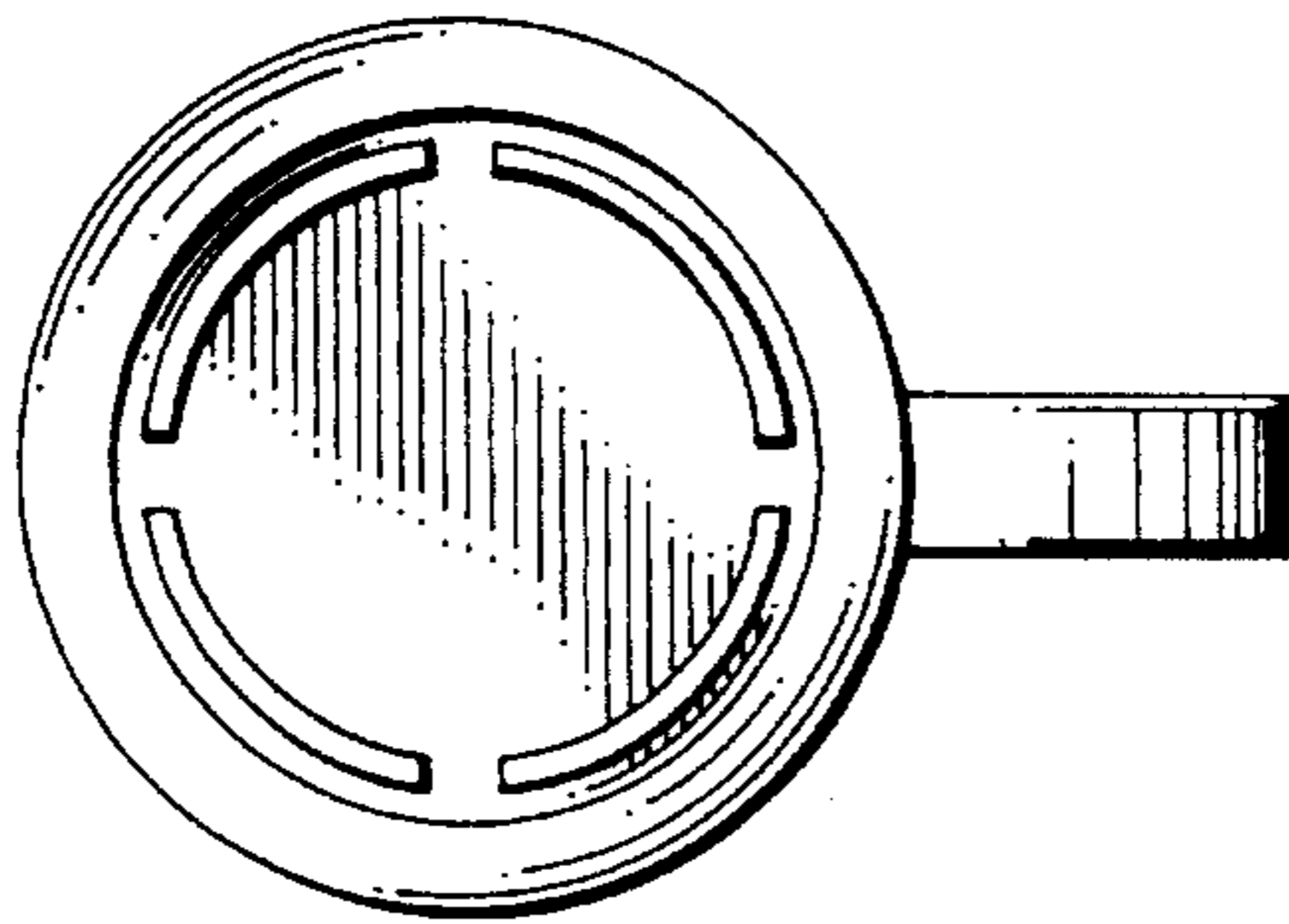


FIG. 6

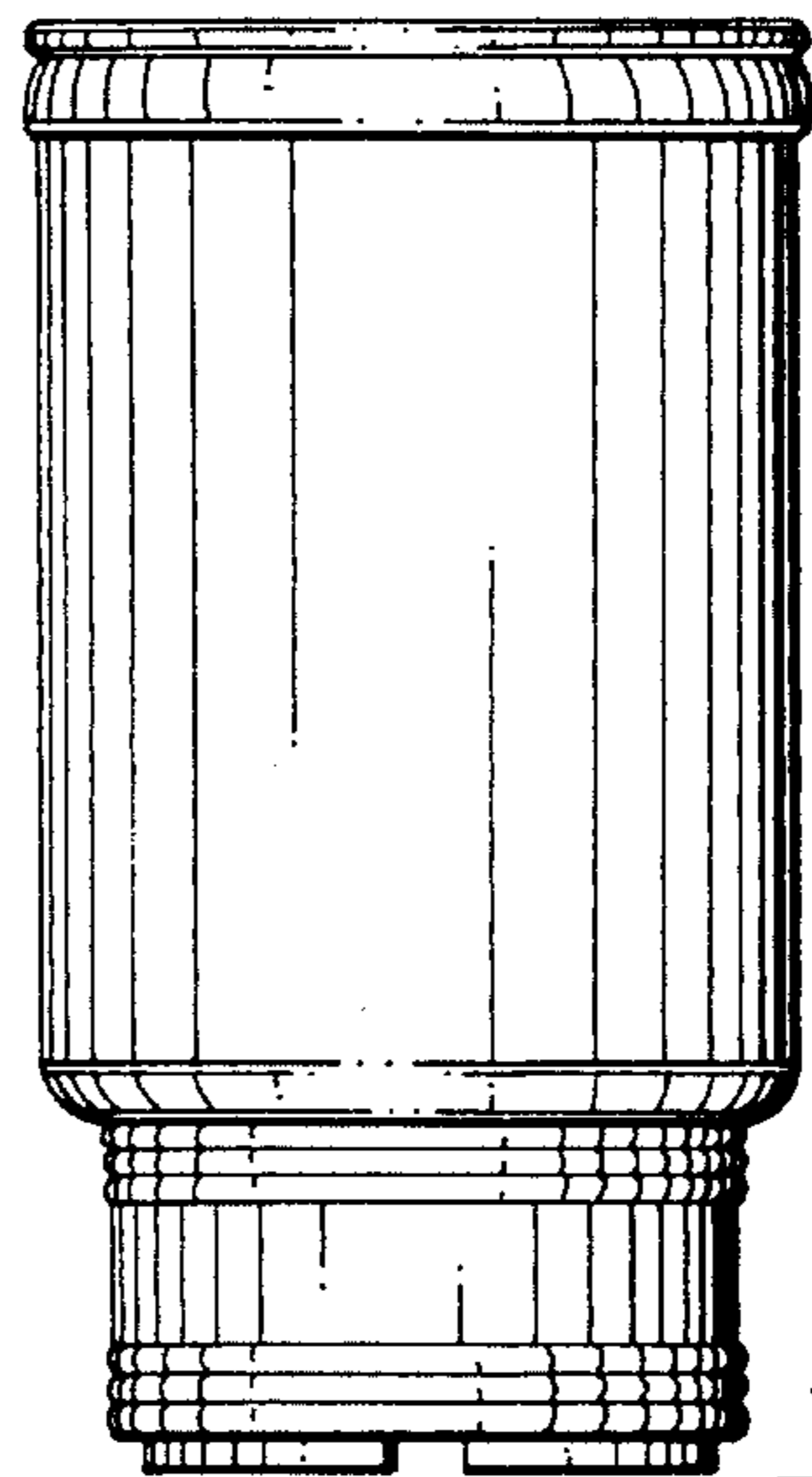


FIG. 4