



US00D373050S

United States Patent [19]

[11] Patent Number: **Des. 373,050**

Brewer et al.

[45] Date of Patent: ****Aug. 27, 1996**

[54] **BOWL**

[75] Inventors: **Charles A. Brewer**, Geneva; **Bruce S. Cohen**, Winnetka; **James A. Cohen**, Northbrook; **Robert J. Kleckauskas**, Downers Grove; **Jeffrey A. Rustemeyer**, Lake in the Hills; **Michael C. Thuma**, DesPlaines, all of Ill.

[73] Assignee: **Arrow Plastic Manufacturing Co.**, Elk Grove, Ill.

[**] Term: **14 Years**

[21] Appl. No.: **27,590**

[22] Filed: **Aug. 25, 1994**

[52] U.S. Cl. **D7/505; D7/545**

[58] Field of Search **D7/505, 507, 550, D7/553, 554, 555, 557, 587, 571, 551, 556, 584, 586, 532, 513, 300, 536, 549, 538, 545; 220/DIG. 12, DIG. 26, 675, 697, 735, 636, 750, 912, 914, 710**

[56] References Cited

U.S. PATENT DOCUMENTS

- D. 65,527 9/1924 Graham .
- D. 94,000 12/1934 Sebring .
- D. 96,566 8/1935 Straus .
- D. 185,971 8/1959 Saffer .
- D. 186,535 11/1959 Saffer .
- D. 232,797 9/1974 Doolittle .
- D. 242,416 11/1976 Achenbach .
- D. 243,816 3/1977 Achenbach .
- D. 269,578 7/1983 Straubinger .
- D. 275,438 9/1984 Everson D7/536 X
- D. 285,035 8/1986 Petrasek .
- D. 289,269 4/1987 Fleckenstein D7/538 x
- D. 292,462 10/1987 Petrasek .
- D. 292,463 10/1987 Petrasek .
- D. 292,464 10/1987 Petrasek .

- 307,297 10/1884 Habenicht .
- D. 340,836 11/1993 Cautereels .
- D. 347,763 6/1994 Kleckauskas et al. .
- 2,262,204 11/1941 Rideout 220/771
- 2,355,010 8/1944 Pera .
- 2,533,853 12/1950 Tinder D7/584 X
- 2,599,919 6/1952 Hucknall .
- 2,687,628 8/1954 Cunningham .
- 2,747,387 5/1956 Sweem .
- 2,885,134 5/1959 Cohen D7/507
- 3,332,567 7/1969 Pugh, Sr. 220/710 x
- 3,406,868 10/1968 Rogers D7/507 X
- 3,428,213 2/1969 Stephens 220/697
- 3,533,529 10/1970 Helbig D7/505
- 4,016,998 4/1977 Finch .
- 4,239,175 12/1980 Straubinger .

OTHER PUBLICATIONS

Bowl (top middle) *Schöner Wohnen* Nov. 1982 p. 56 SW.
Primary Examiner—M. N. Pandozzi
Attorney, Agent, or Firm—Dressler, Goldsmith, Shore & Milnamow, Ltd.

[57] CLAIM

The ornamental design for a bowl, as shown and described.

DESCRIPTION

FIG. 1 is a perspective view of a bowl, embodying our new design;
FIG. 2 is a perspective view of an alternate embodiment of a bowl embodying the present design, which alternate embodiment is identical to the embodiment of FIG. 1 and FIGS. 3 to 8, except for the length of the upstanding straw portion;
FIG. 3 is a front elevational view of the bowl of FIG. 1;
FIG. 4 is a rear elevational view thereof;
FIG. 5 is a top plan view thereof;
FIG. 6 is a side elevational view thereof;
FIG. 7 is an opposite side elevational view thereof; and,
FIG. 8 is a bottom plan view thereof.

1 Claim, 4 Drawing Sheets

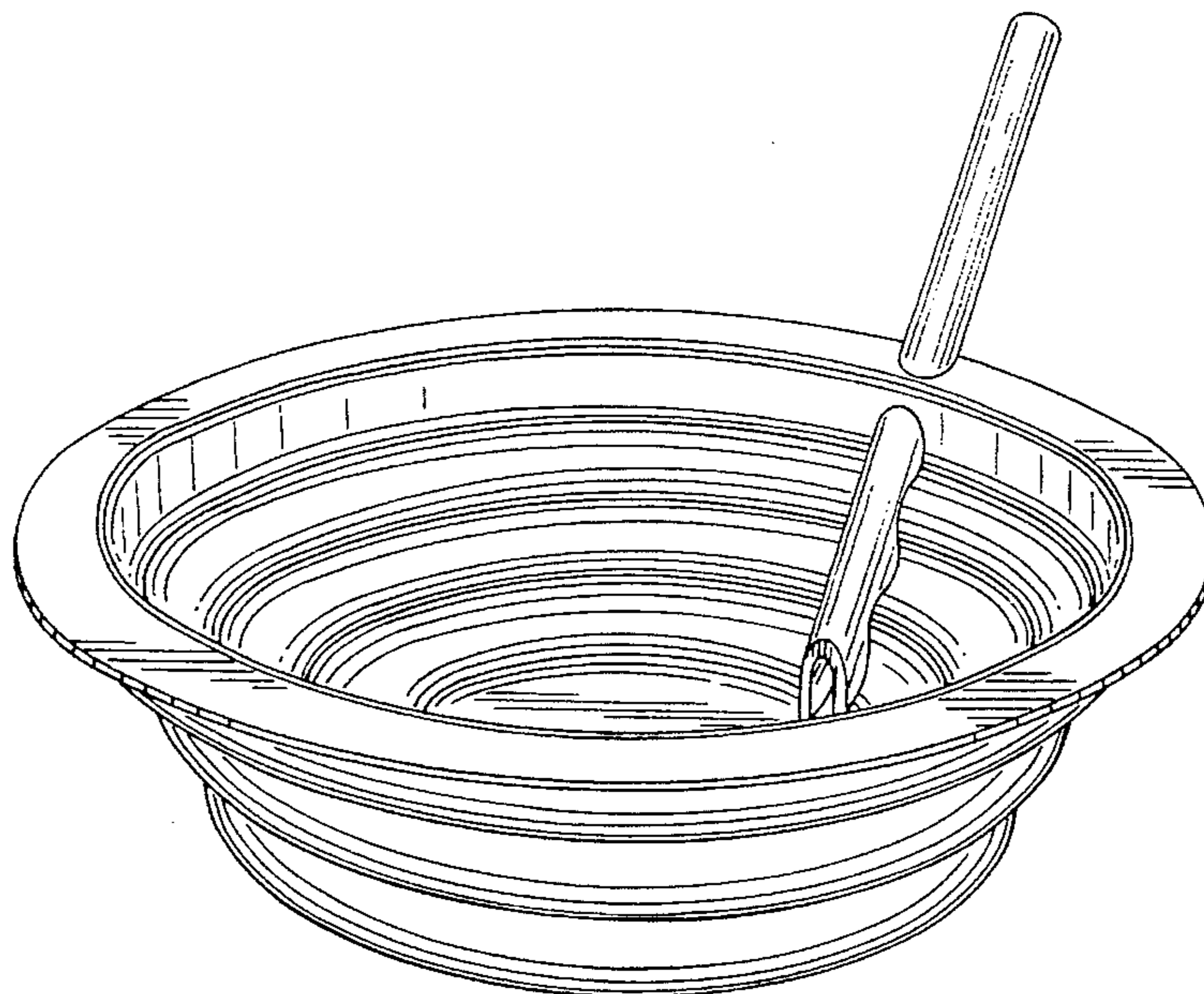


FIG. 1

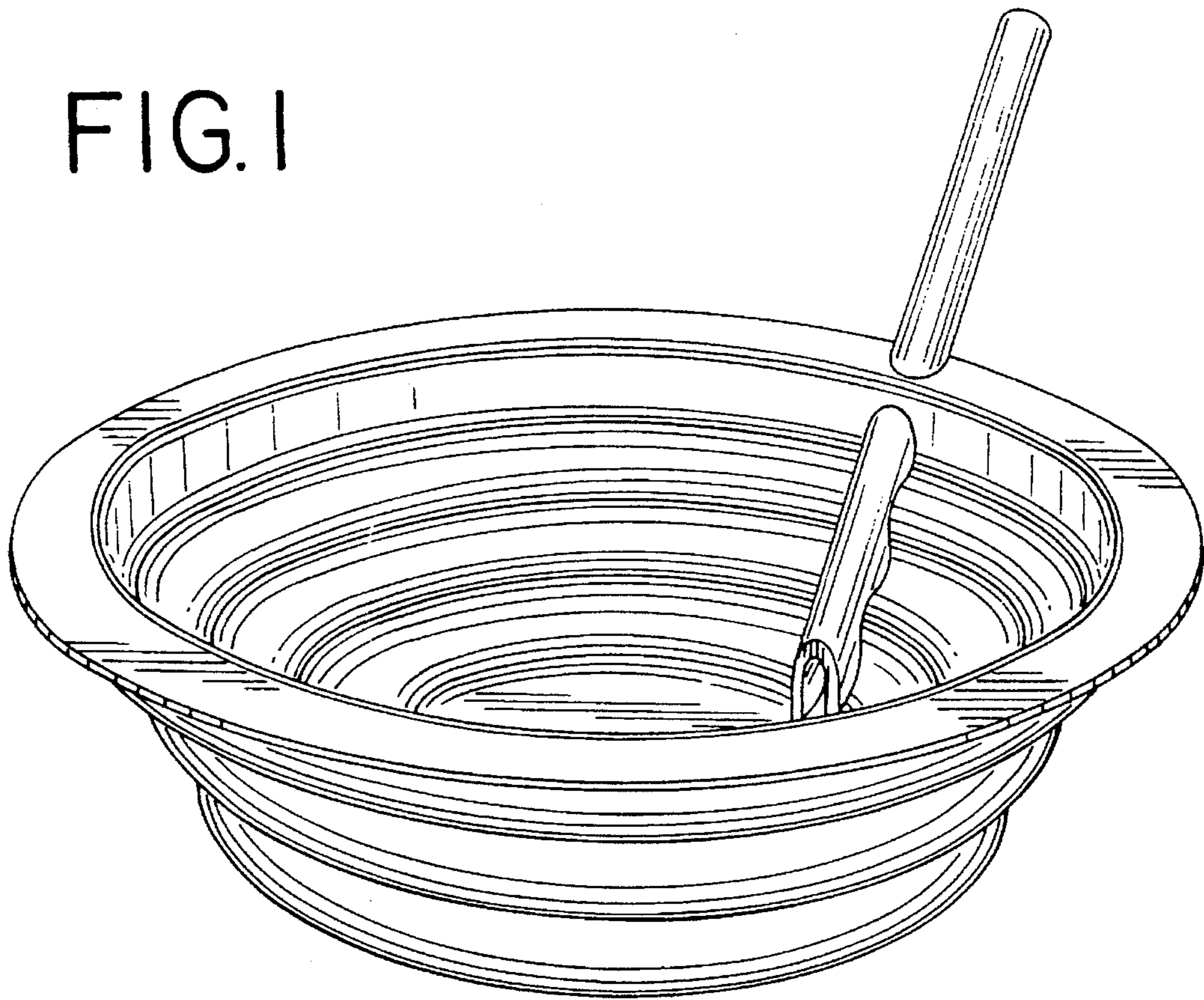


FIG. 2

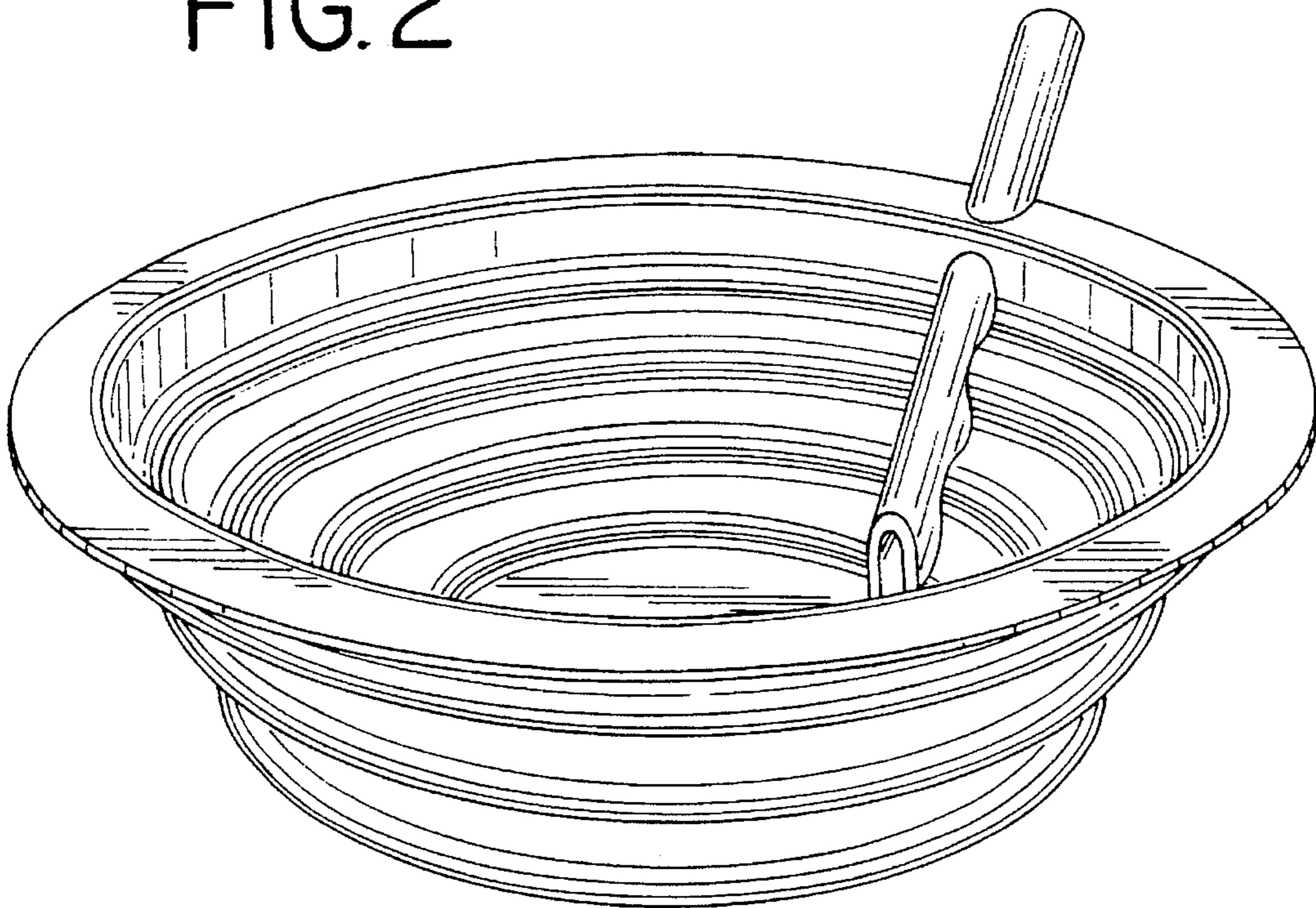


FIG. 3

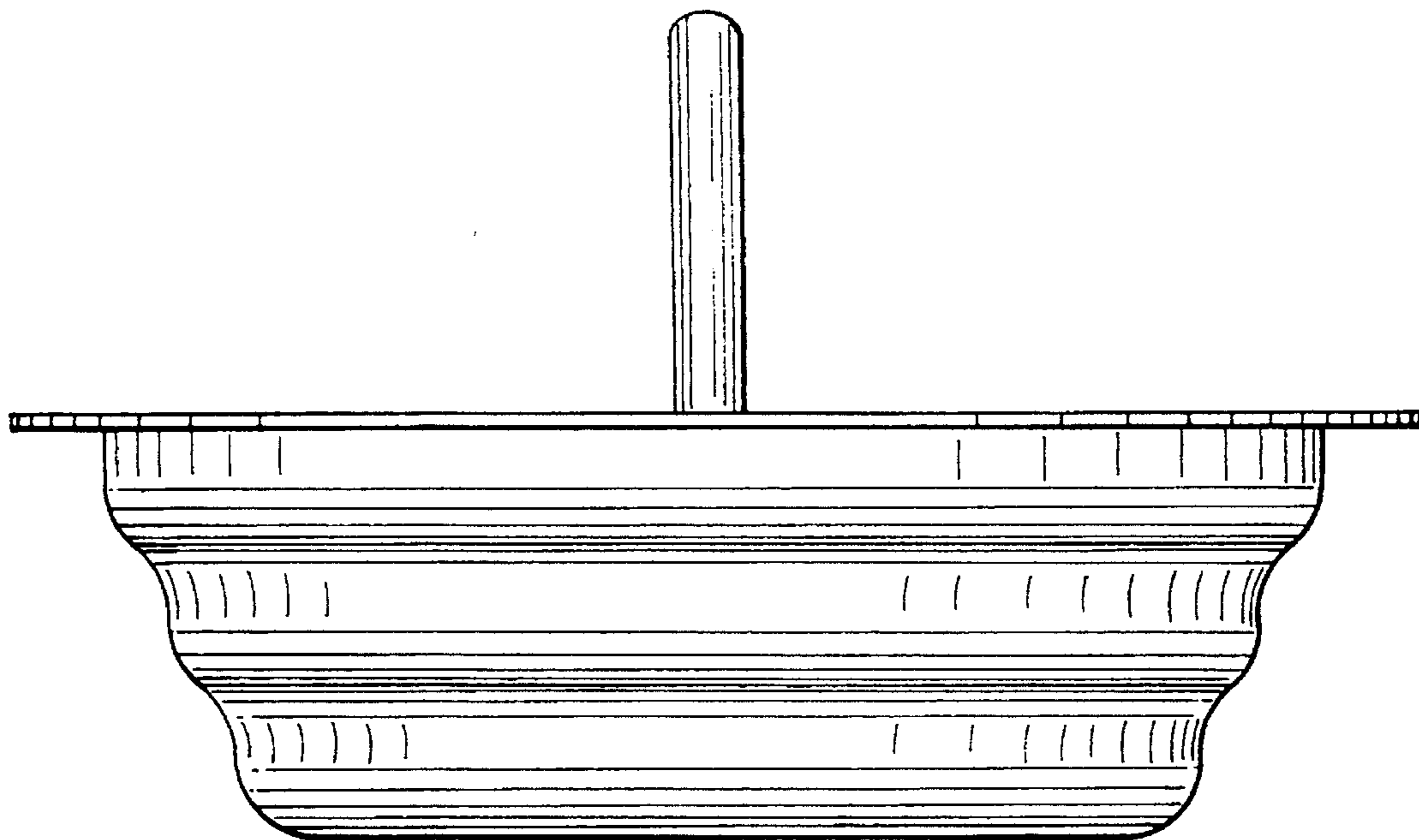


FIG. 4

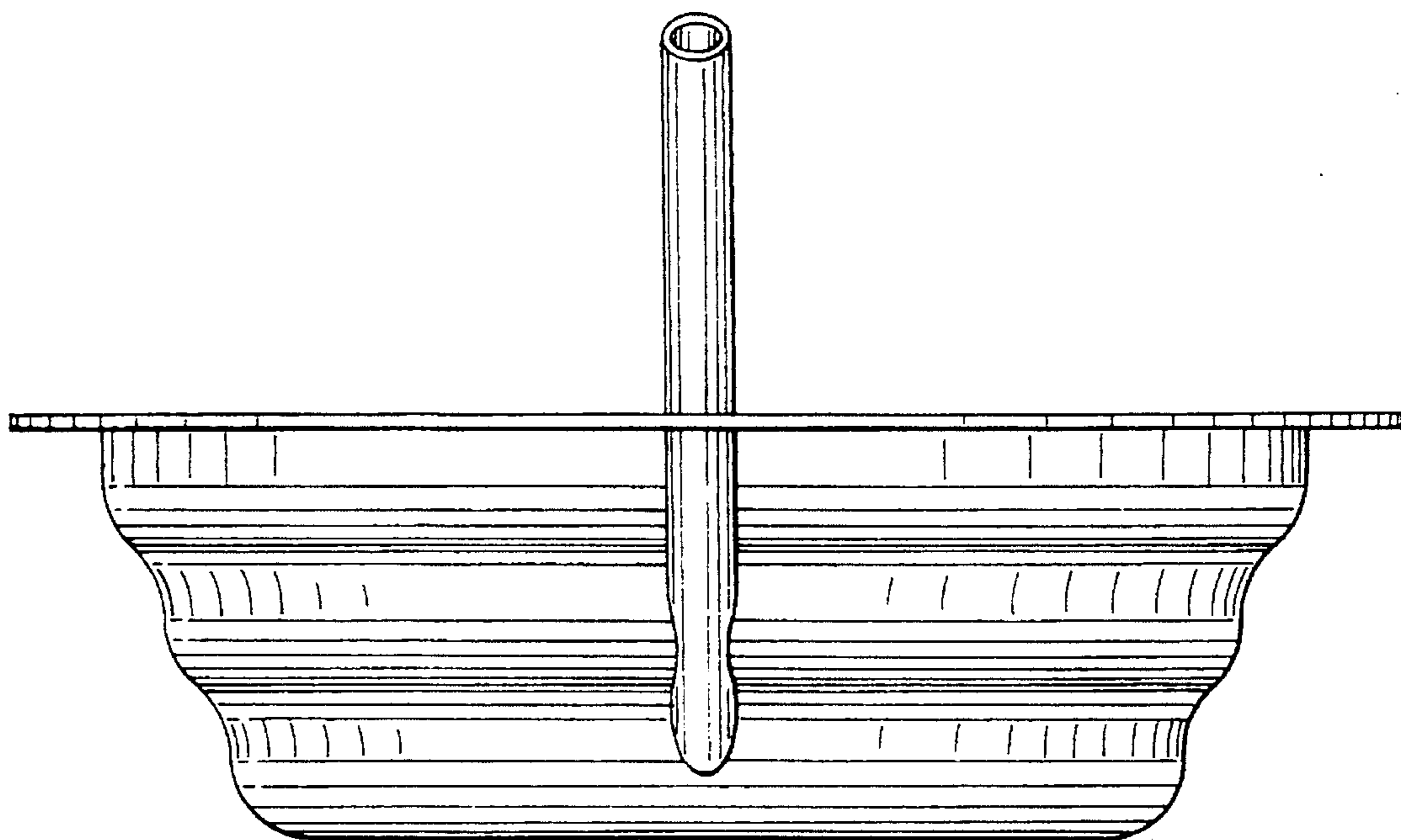


FIG. 5

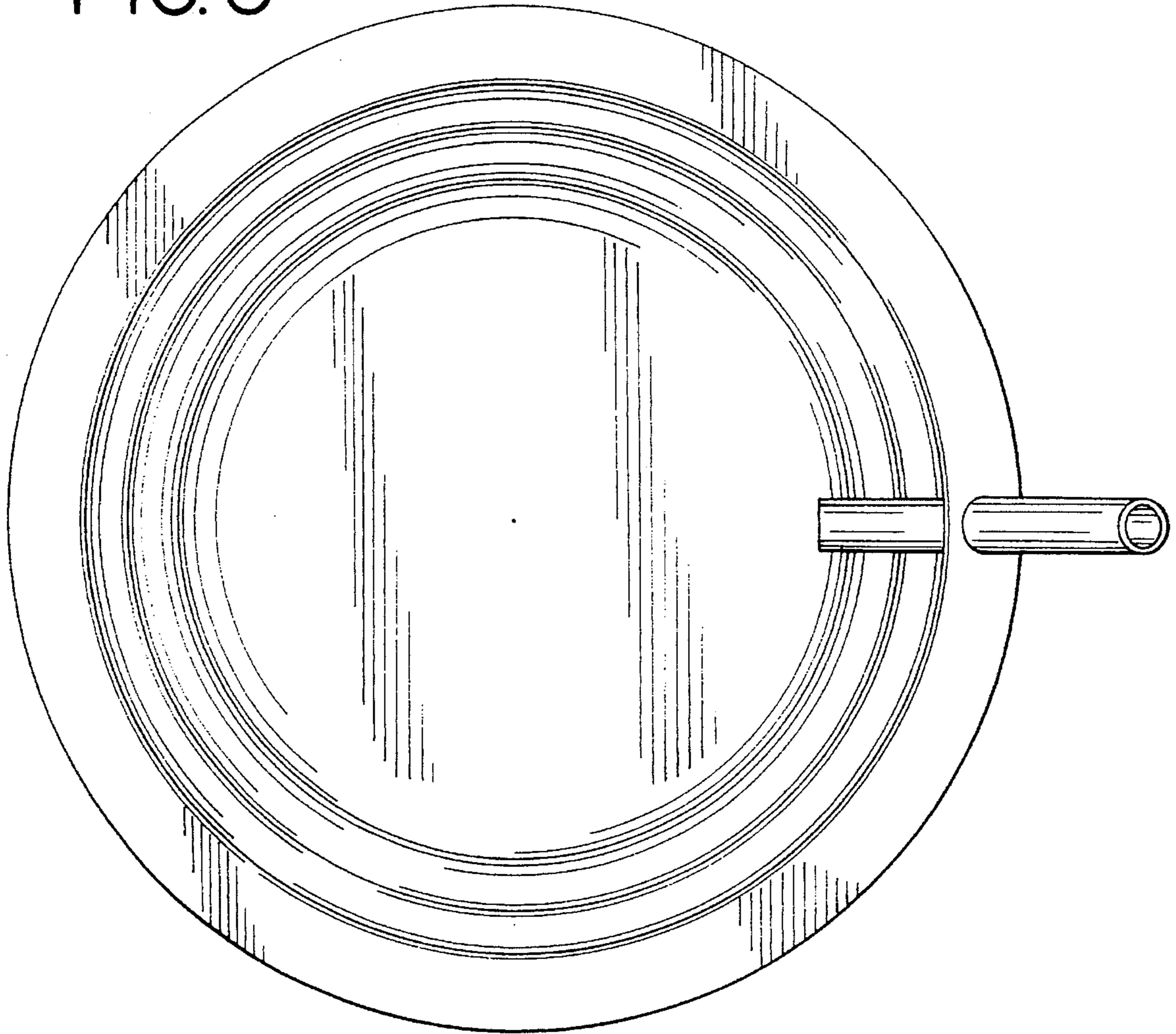


FIG. 6

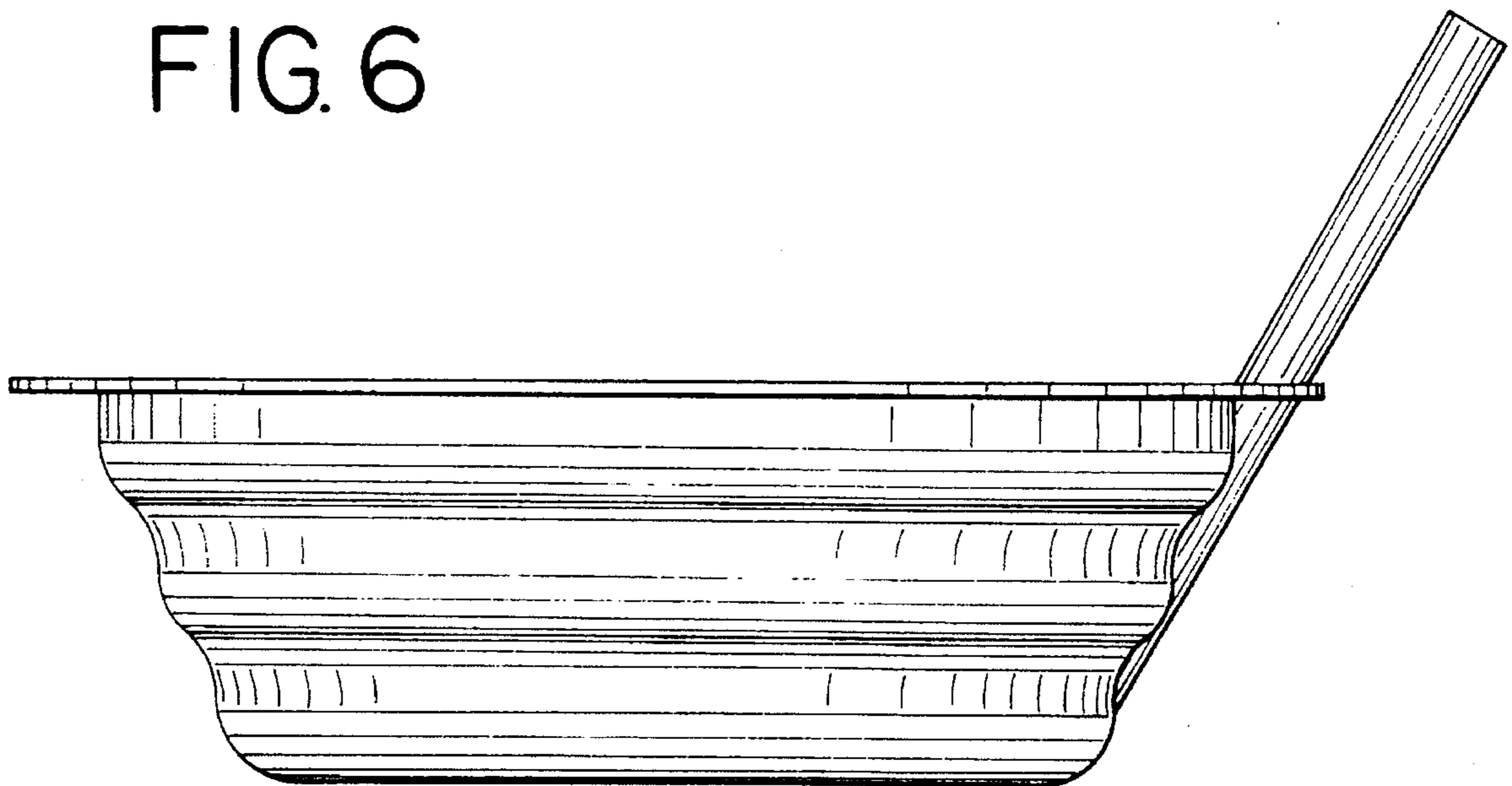


FIG. 7

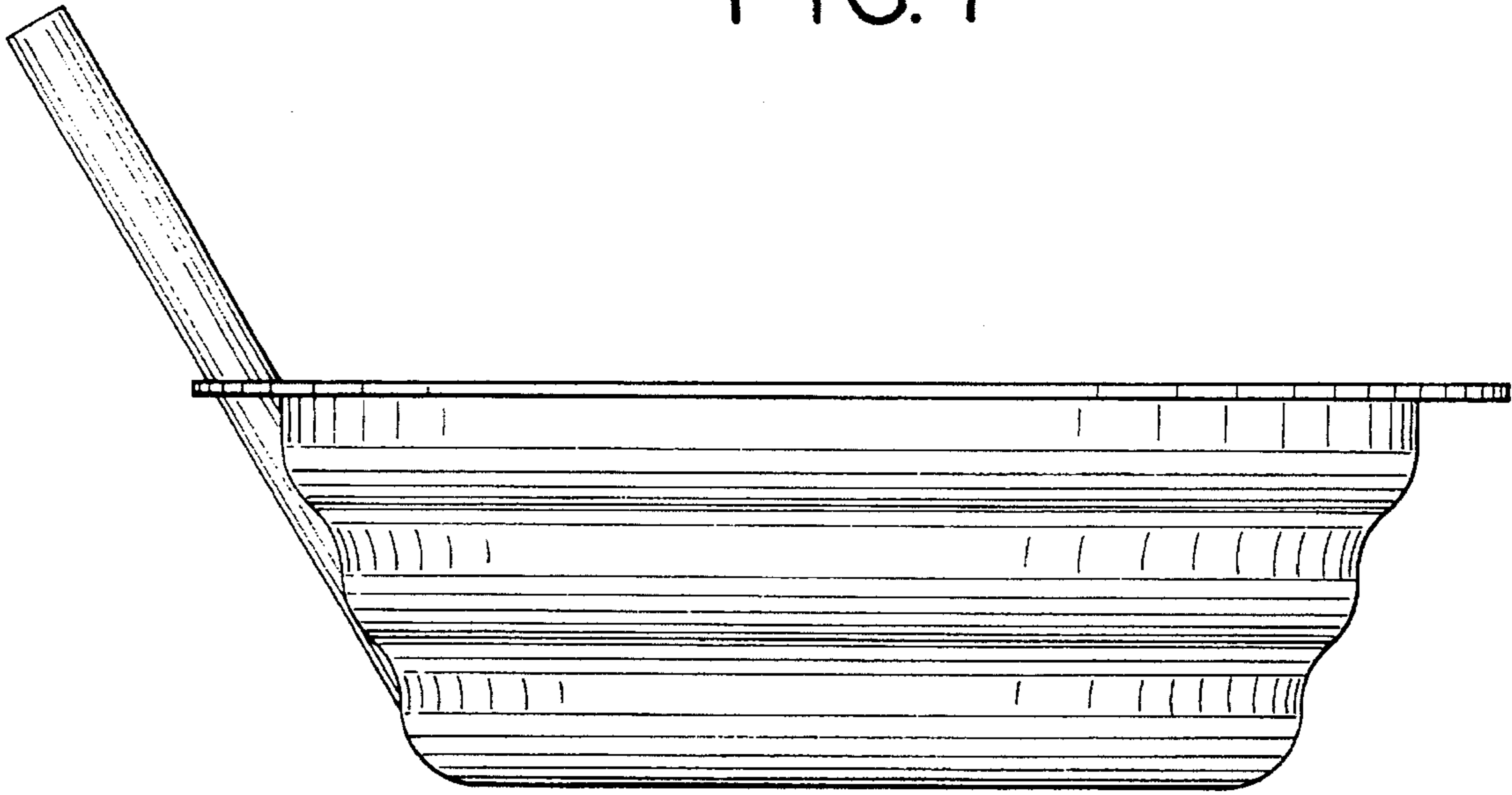


FIG. 8

