



US00D373049S

United States Patent [19]
le Rouzic

[11] **Patent Number:** **Des. 373,049**
[45] **Date of Patent:** ****Aug. 27, 1996**

[54] **BOWL WITH COVER FOR A FOOD PROCESSOR**

[75] **Inventor:** **Claude le Rouzic**, Montceau-les-mines, France

[73] **Assignee:** **Magimix**, France

[**] **Term:** **14 Years**

[21] **Appl. No.:** **20,851**

[22] **Filed:** **Mar. 31, 1994**

[30] **Foreign Application Priority Data**

Oct. 1, 1993 [FR] France 93 5021

[52] **U.S. Cl.** **D7/413**

[58] **Field of Search** D7/376, 383, 384, D7/386, 412, 413; 241/282.2, 282.1, 92, 93; 366/129, 130, 197, 199, 204, 205, 314

[56] **References Cited**

U.S. PATENT DOCUMENTS

D. 290,676 7/1987 Stutzer et al. D7/384

D. 293,873 1/1988 Maass D7/384
D. 297,901 10/1988 Barrault D7/384
D. 327,806 7/1992 Fleche D7/384
D. 345,078 3/1994 Gotzsch D7/376 X
D. 345,079 3/1994 Johnson D7/376 X

Primary Examiner—Alan P. Douglas
Assistant Examiner—Caron D. Veynar
Attorney, Agent, or Firm—Eckert Seamans Cherin & Mellott

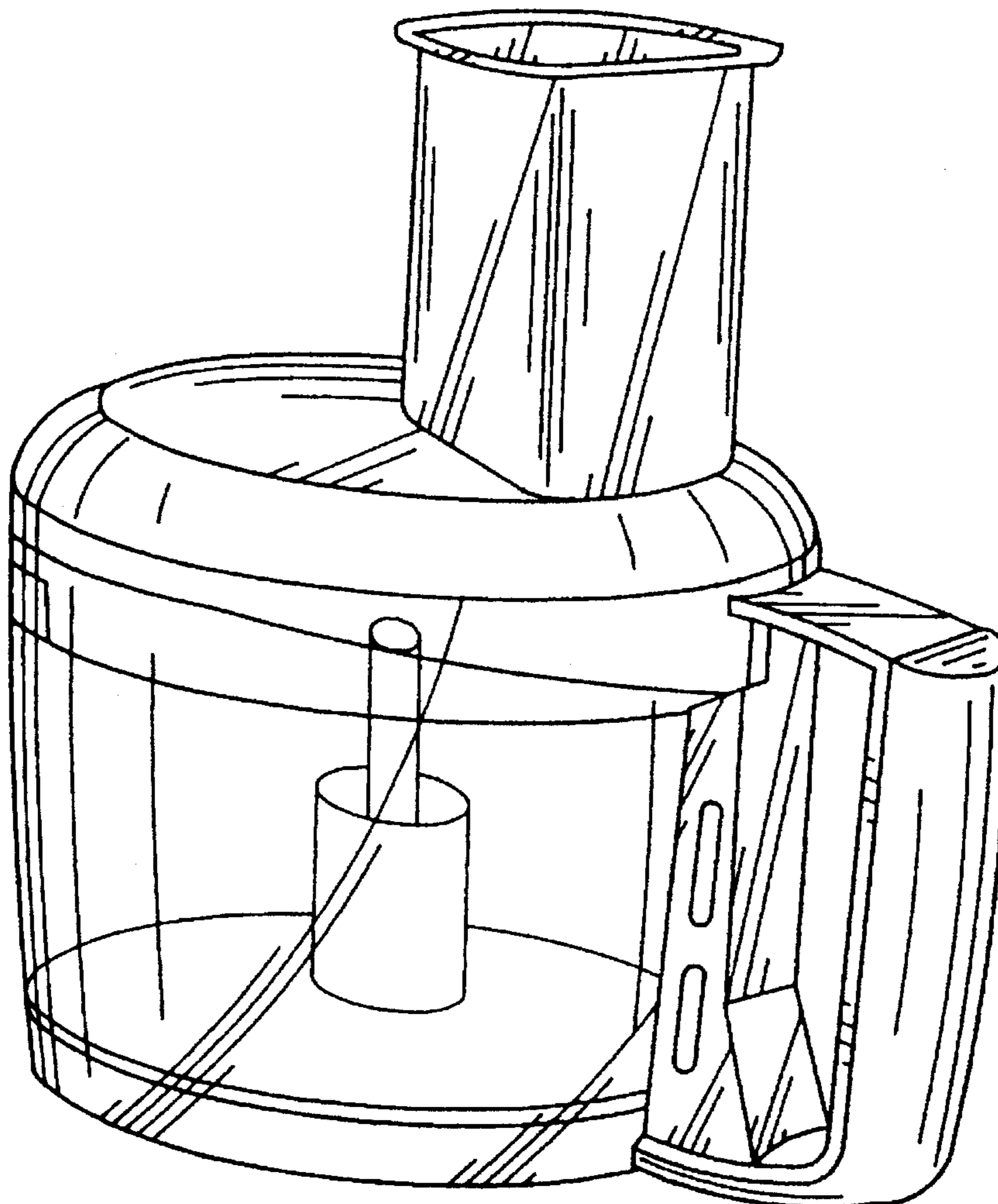
[57] **CLAIM**

The ornamental design for a bowl with cover for a food processor, as shown and described.

DESCRIPTION

FIG. 1 is a perspective view from the left of the design of the present invention;
FIG. 2 is a left side elevational view thereof;
FIG. 3 is a right side elevational view thereof;
FIG. 4 is a front elevational view thereof;
FIG. 5 is a rear elevational view thereof;
FIG. 6 is a bottom plan view thereof; and,
FIG. 7 is a top plan view thereof.

1 Claim, 4 Drawing Sheets



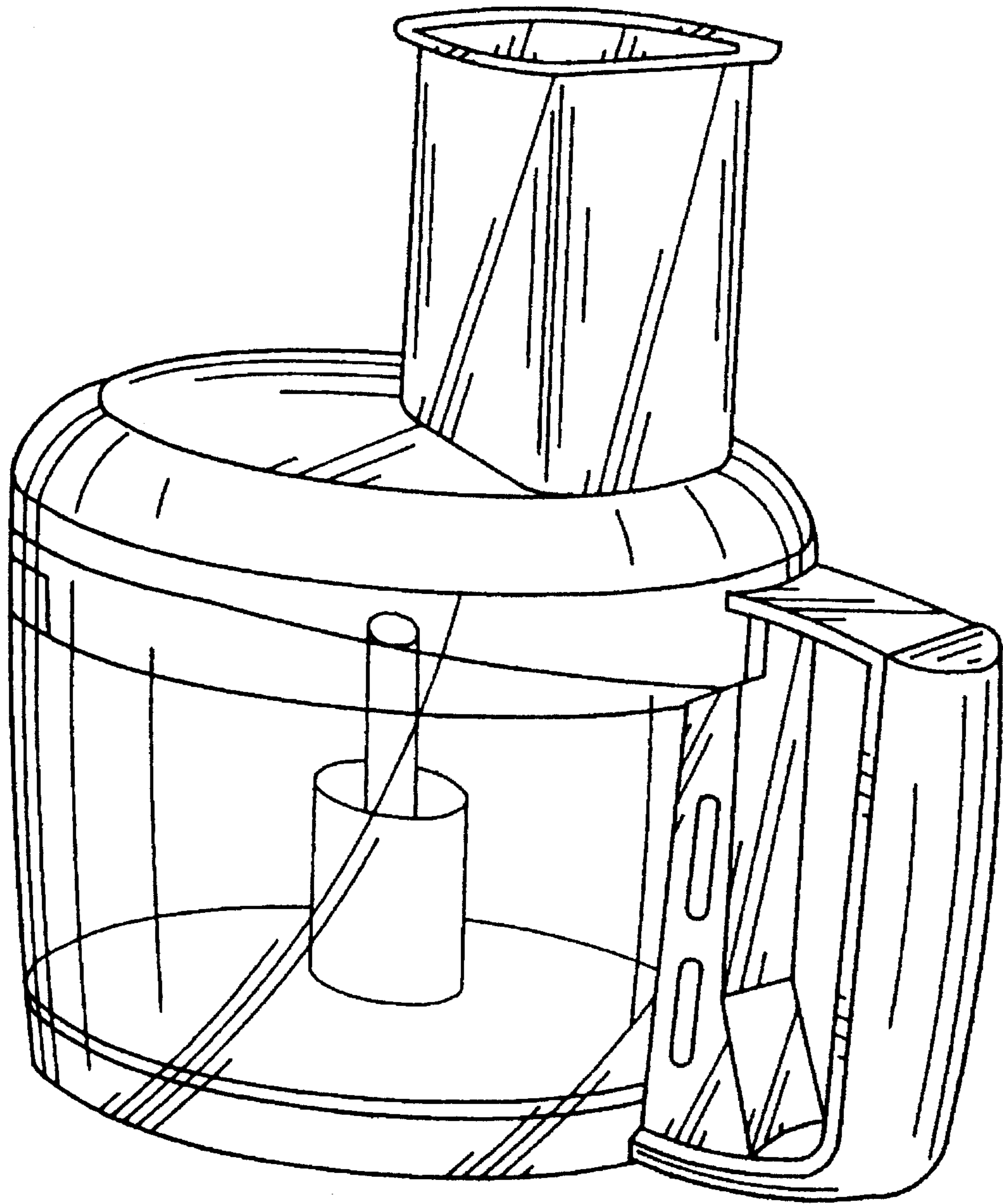


FIG. 1

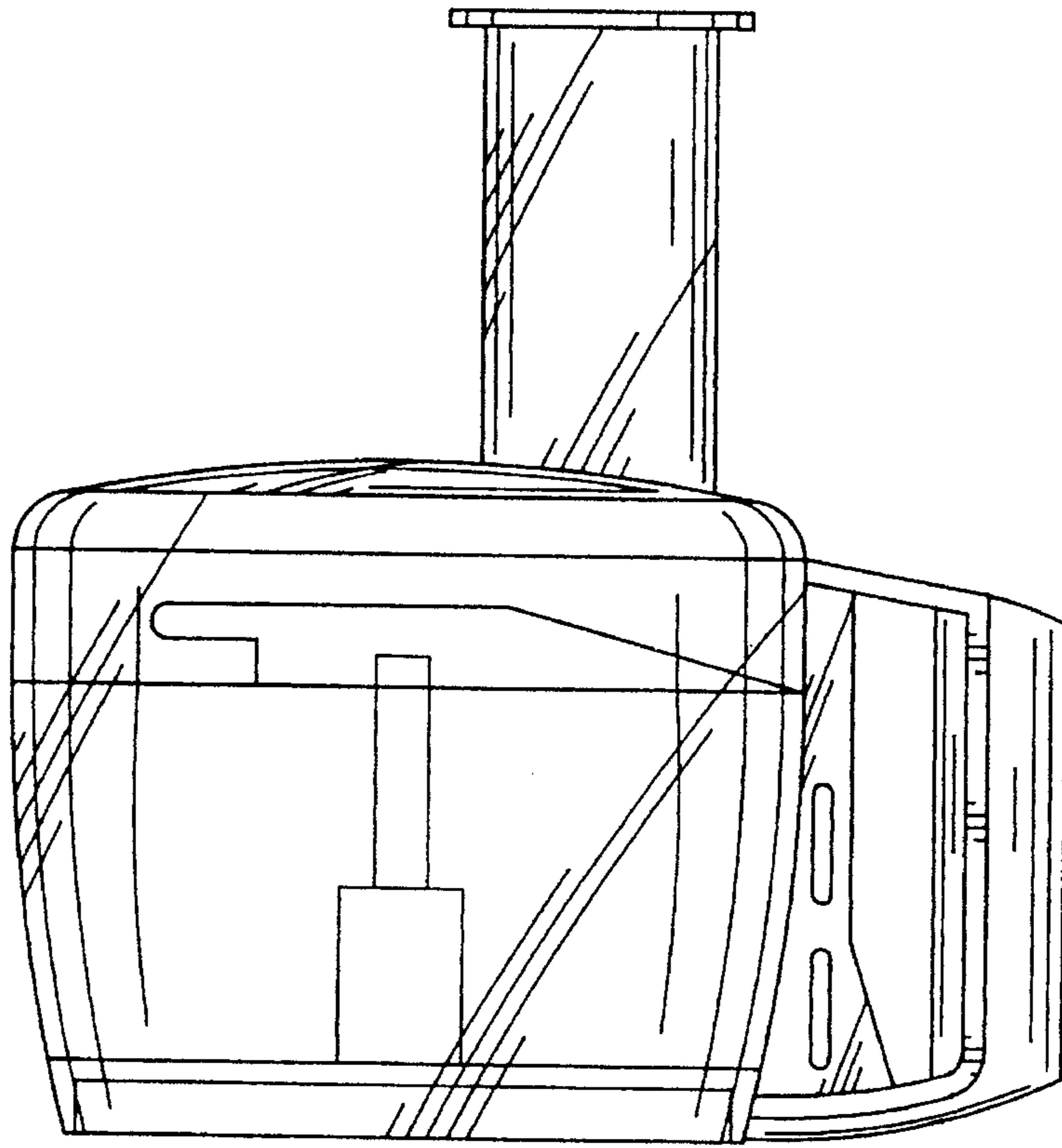


FIG. 2

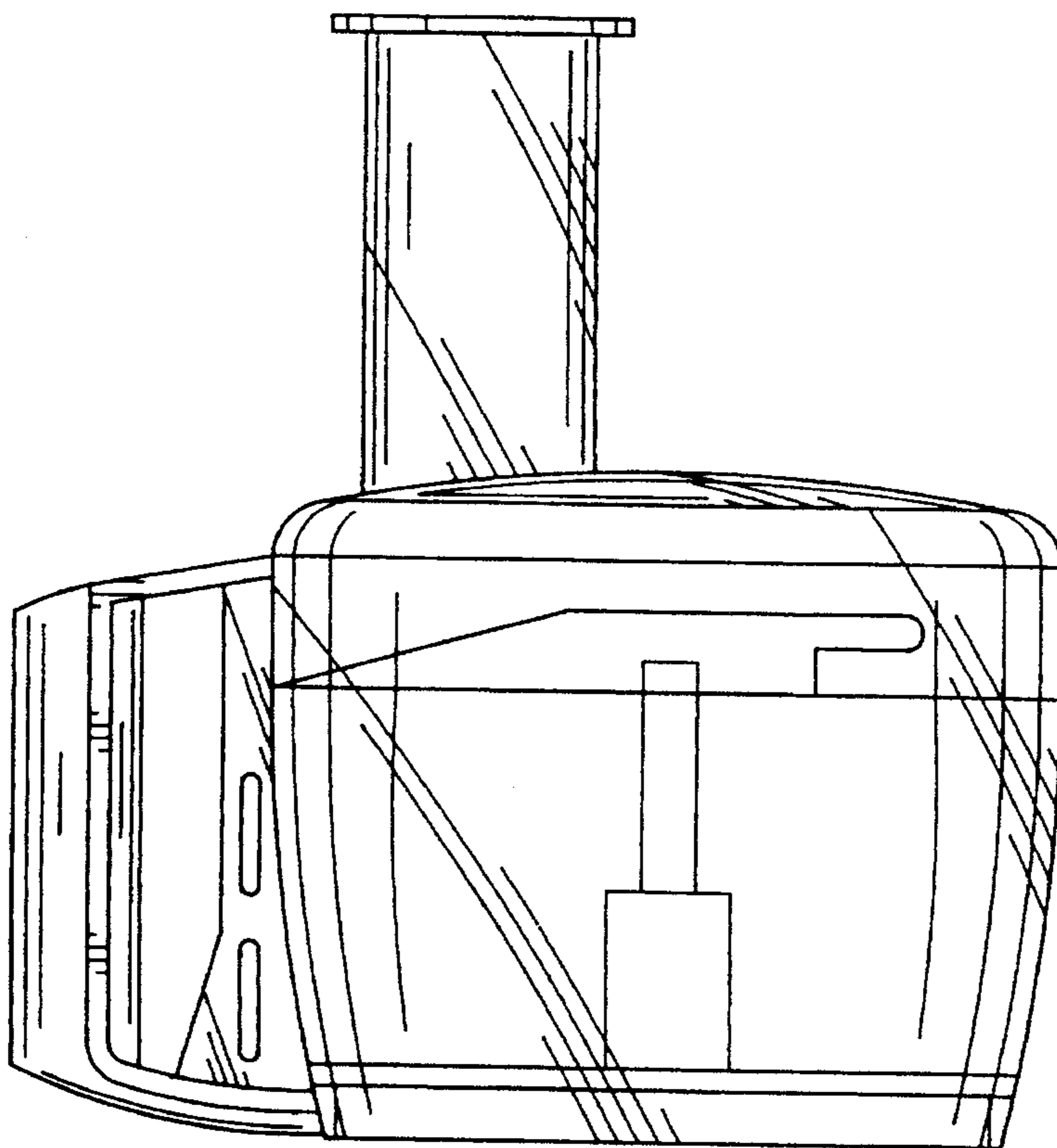


FIG. 3

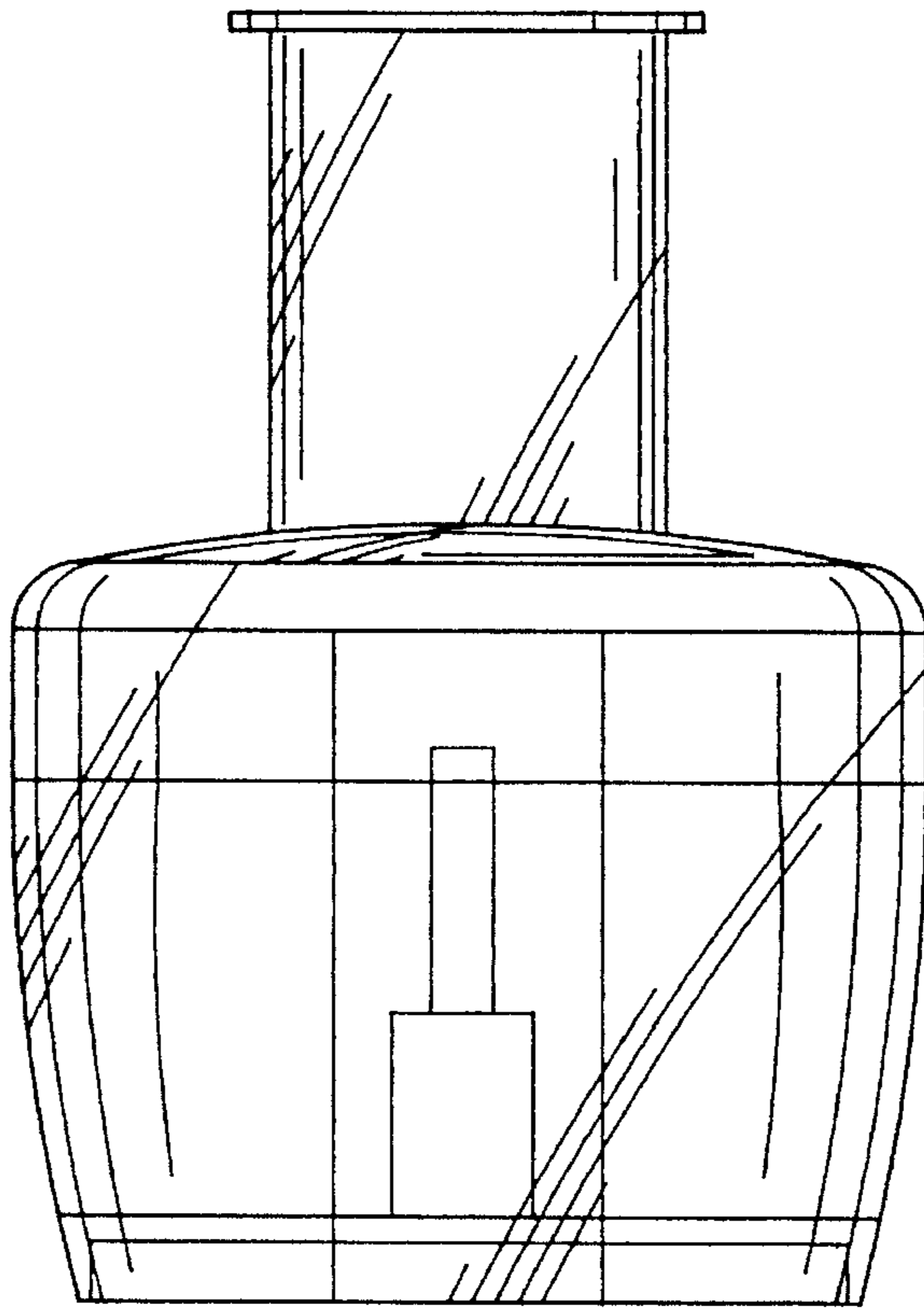


FIG. 4

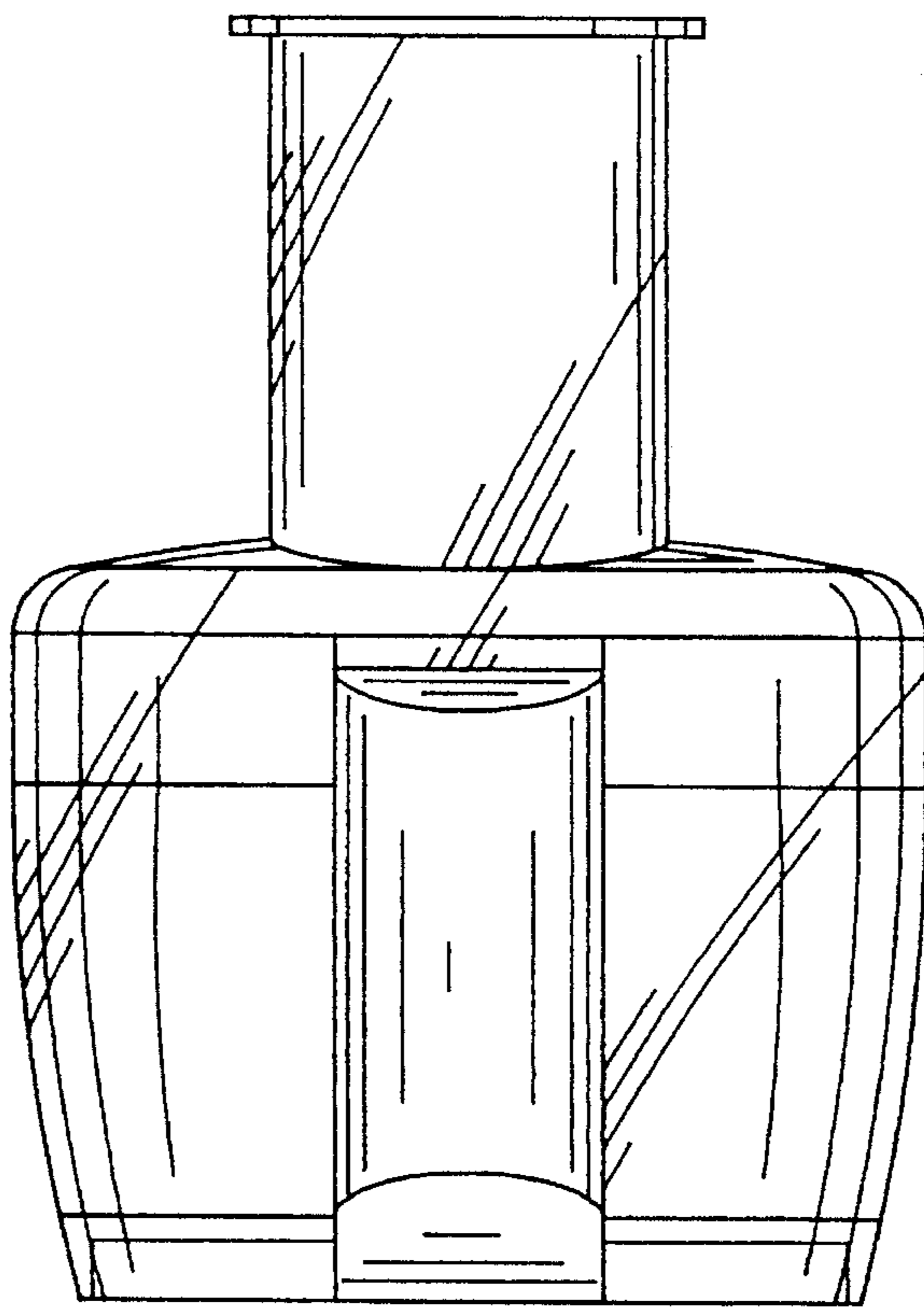


FIG. 5

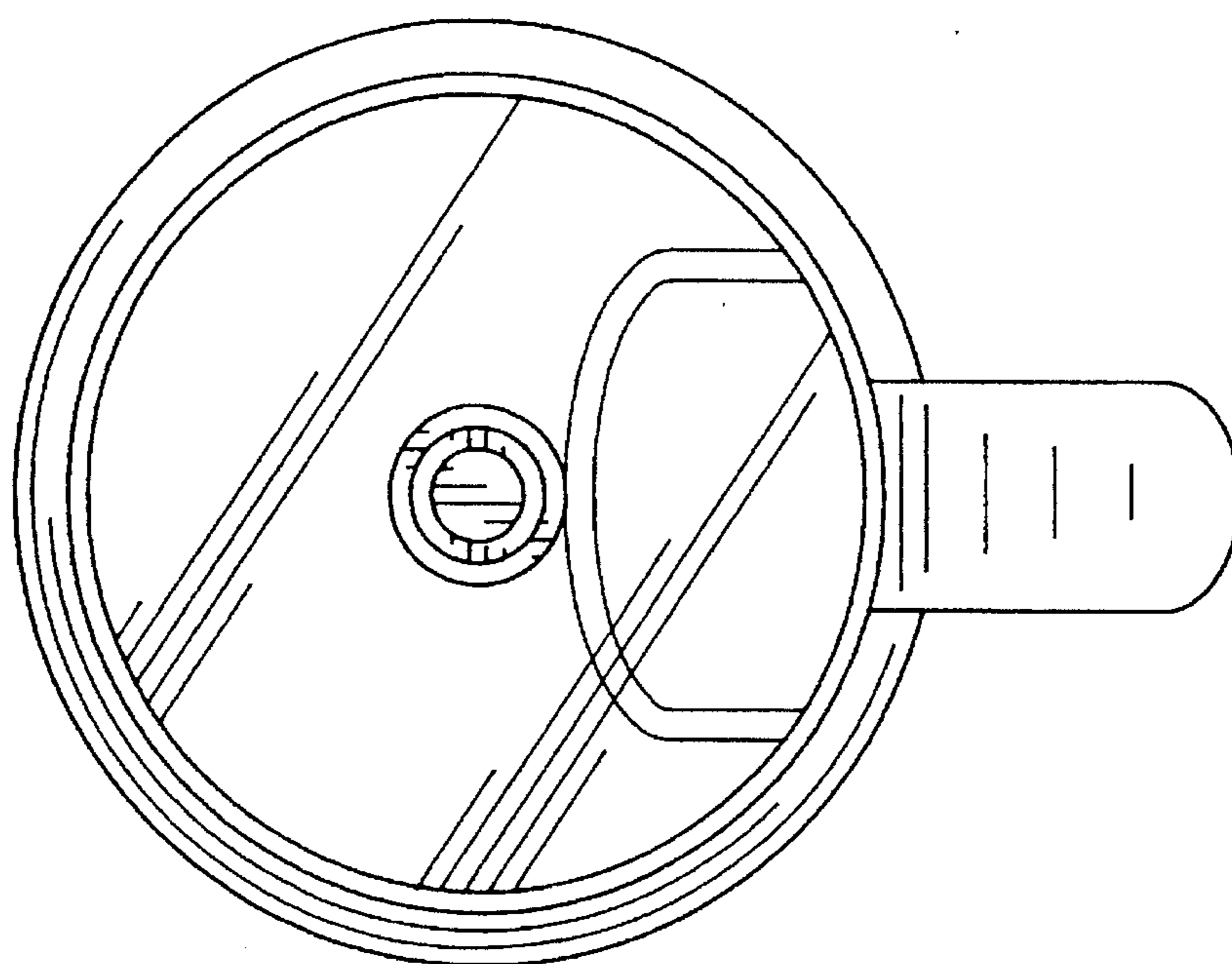


FIG. 6

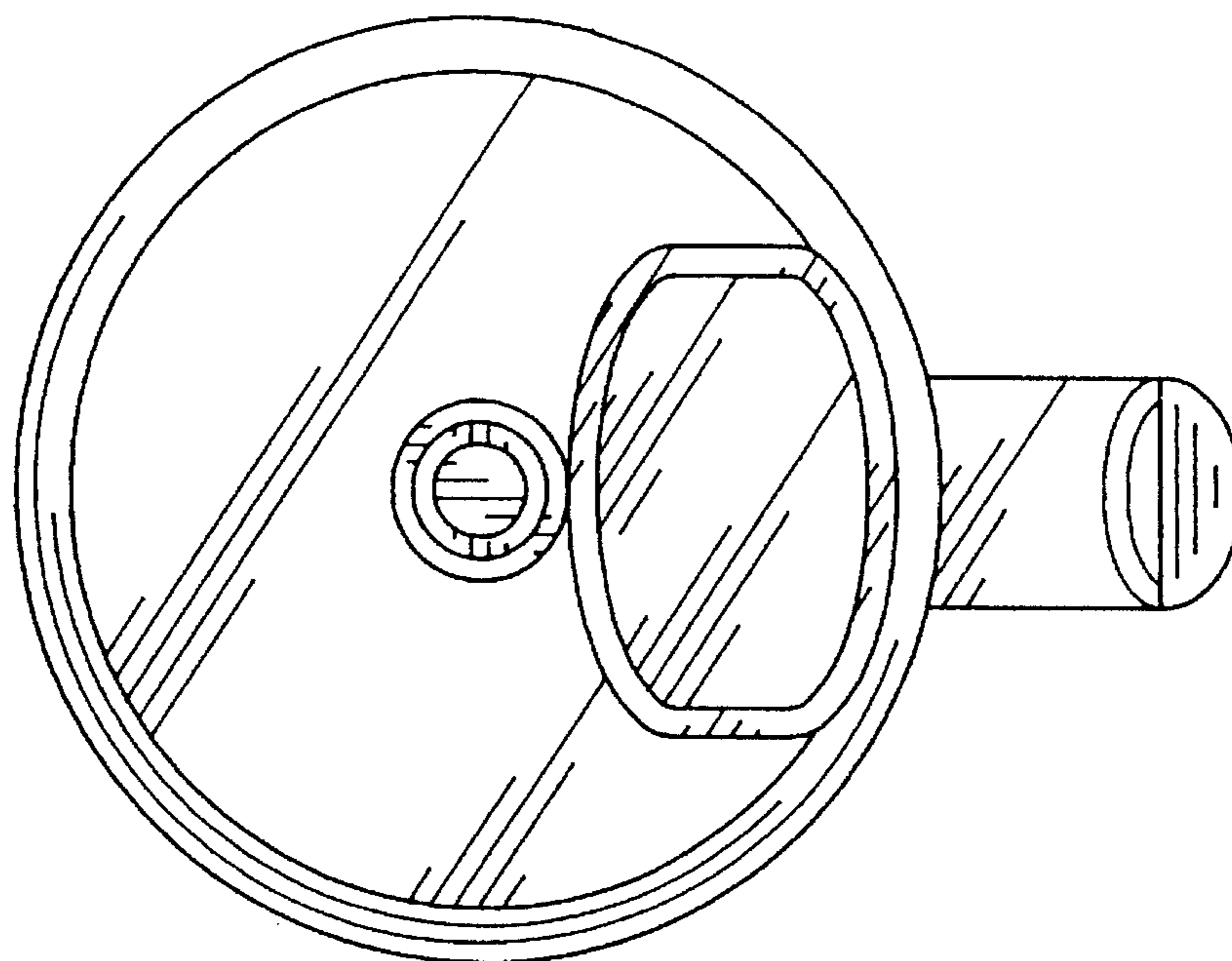


FIG. 7