



US00D373046S

# United States Patent [19]

[11] Patent Number: **Des. 373,046**

Newnan

[45] Date of Patent: **\*\*Aug. 27, 1996**

[54] **COFFEE BEAN ROASTER WITH TRANSPARENT DISPLAY COLUMN**

5,417,145 5/1995 Joseph, Jr. et al. .... 99/286 X

### OTHER PUBLICATIONS

[76] Inventor: **Brian D. Newnan**, 10841 Herchell Dr., San Jose, Calif. 95127

Food Service Equipment and Supplies Specialist May 1993 at p. 79 top left.

[\*\*] Term: **14 Years**

*Primary Examiner*—Louis S. Zarfaz

*Assistant Examiner*—Frank Martinez

[21] Appl. No.: **32,534**

*Attorney, Agent, or Firm*—Wheat, Camoriano, Smith & Beres, PLC

[22] Filed: **Dec. 20, 1994**

### [57] CLAIM

### Related U.S. Application Data

The ornamental design for a coffee bean roaster with transparent display column.

[63] Continuation-in-part of Ser. No. 28,285, Sep. 9, 1994.

[52] U.S. Cl. .... **D7/323**; 99/286

[58] Field of Search ..... 99/645, 340, 286; D7/347, 373, 402, 342, 414, 679, 373; 241/301

### DESCRIPTION

FIG. 1 shows a perspective view of a coffee bean roaster with a transparent display column showing my new design; FIG. 2 is a front elevational view thereof; FIG. 3 is a left side elevational view thereof; FIG. 4 is a right side elevational view thereof; FIG. 5 is a rear elevational view thereof; FIG. 6 is a bottom plan view thereof; and, FIG. 7 is a top plan view thereof.

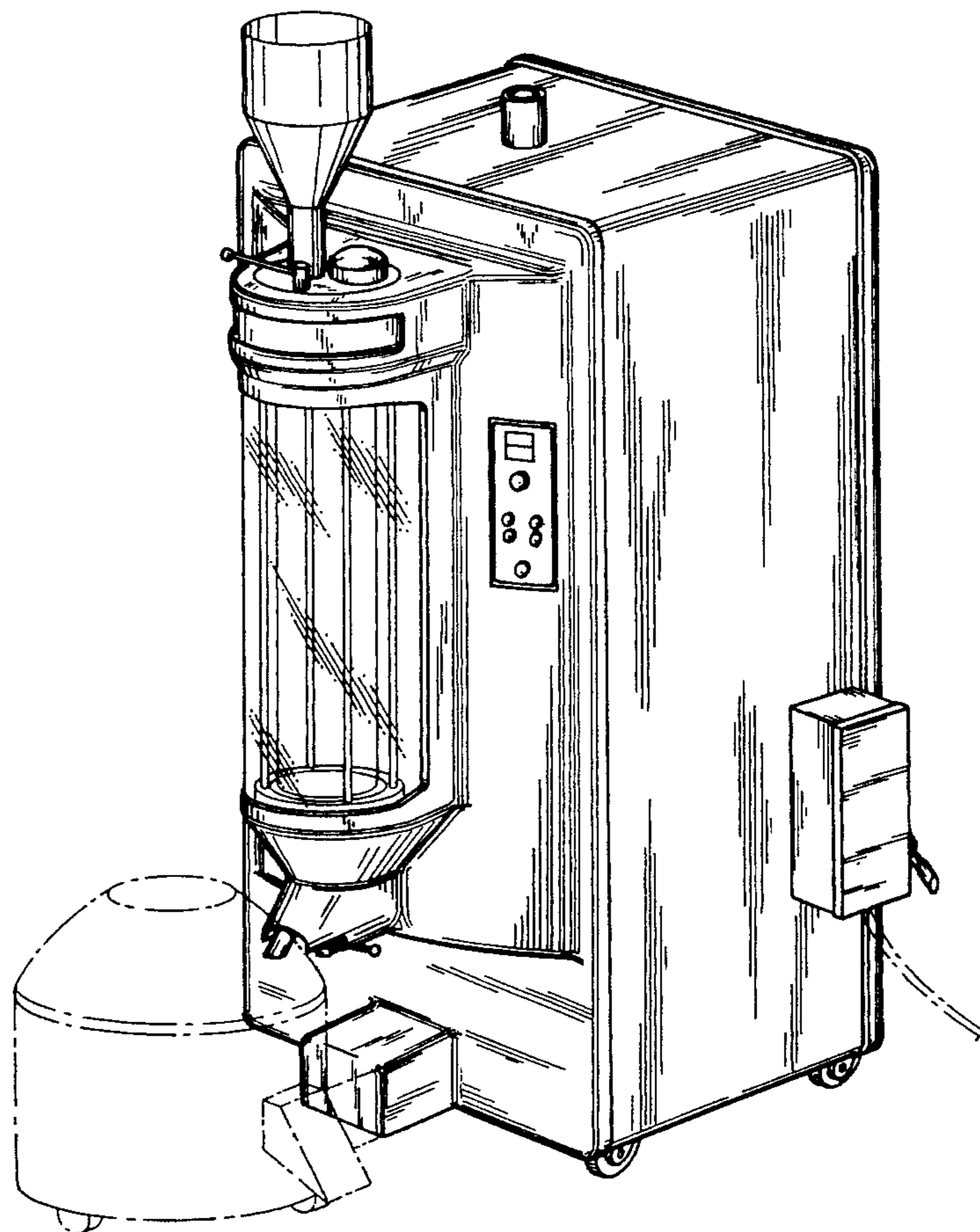
The dotted line showing of a coffee bean heat quencher and an electric cord are for illustrative purposes only and form no part of the claimed design.

### [56] References Cited

#### U.S. PATENT DOCUMENTS

D. 110,988	8/1938	Van Doren .....	D7/373
D. 113,238	3/1939	Hand .....	D7/373
D. 118,149	12/1939	Blazey .....	D7/373
D. 126,992	5/1941	Schuhmann .....	D7/373
128,715	7/1872	Dalby .....	99/340
D. 148,735	2/1948	Torres .....	D7/347
D. 316,798	5/1991	Munk .....	99/286 X
603,551	5/1898	Bors .....	99/645 X

**1 Claim, 6 Drawing Sheets**



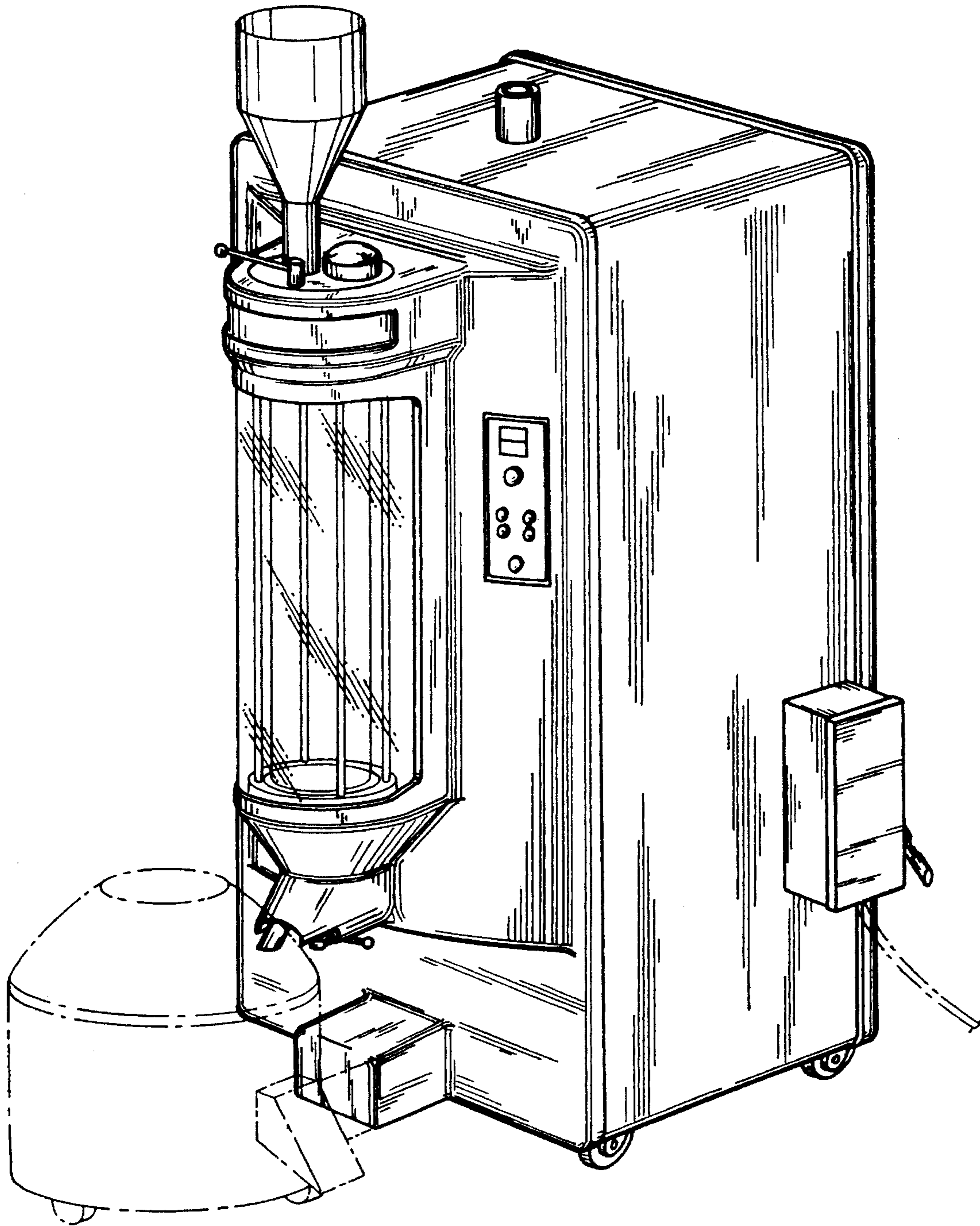


FIG. 1

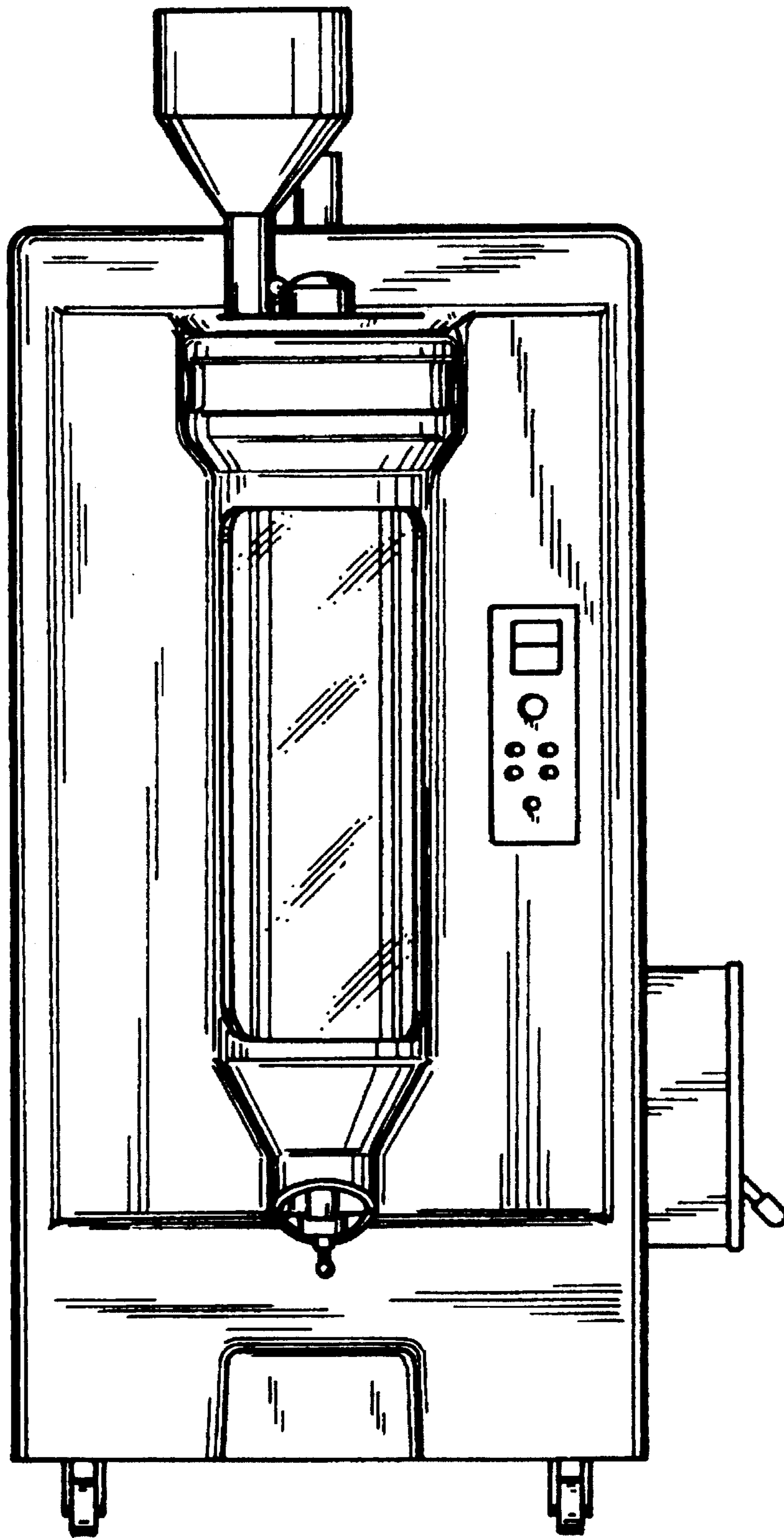


FIG. 2

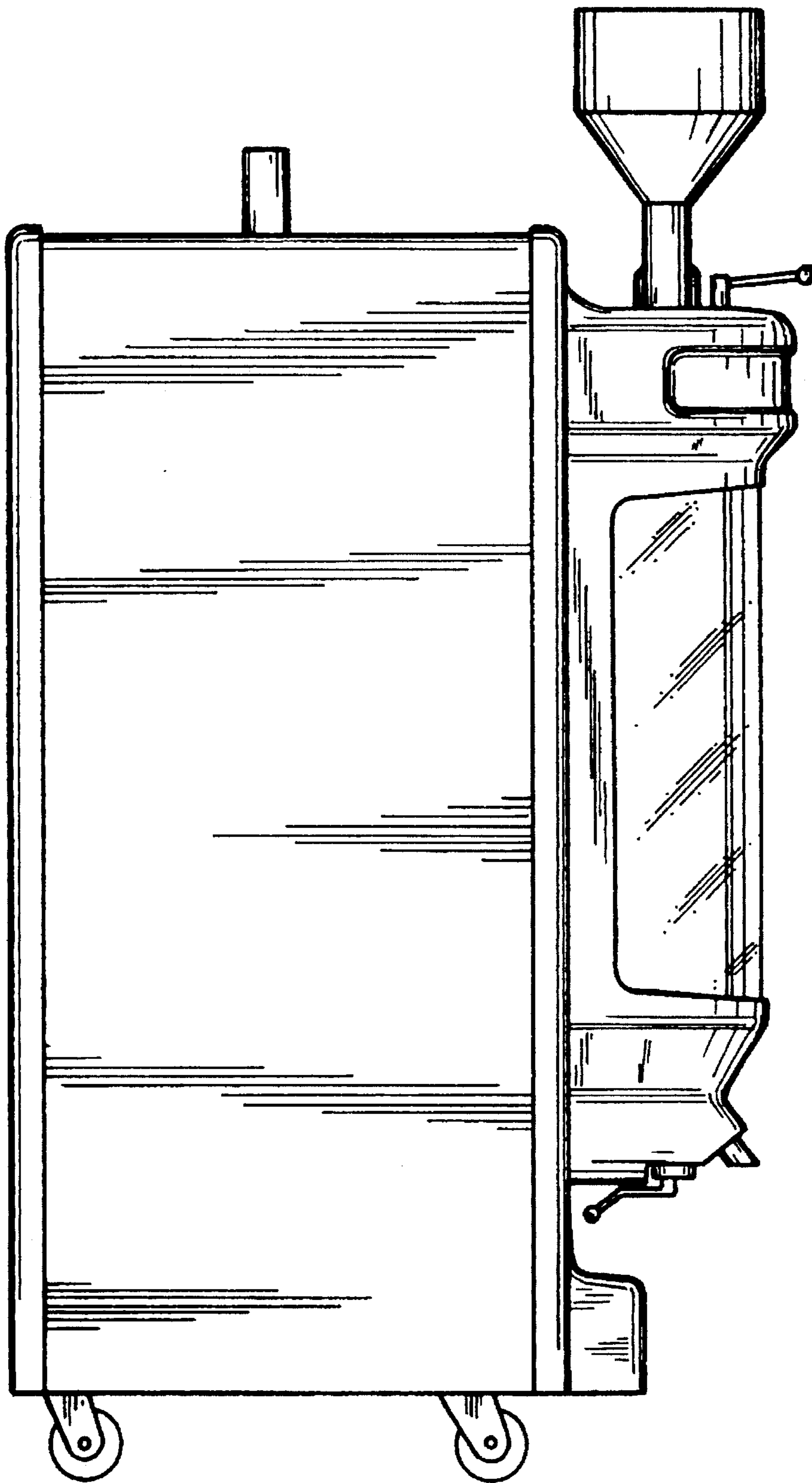


FIG. 3

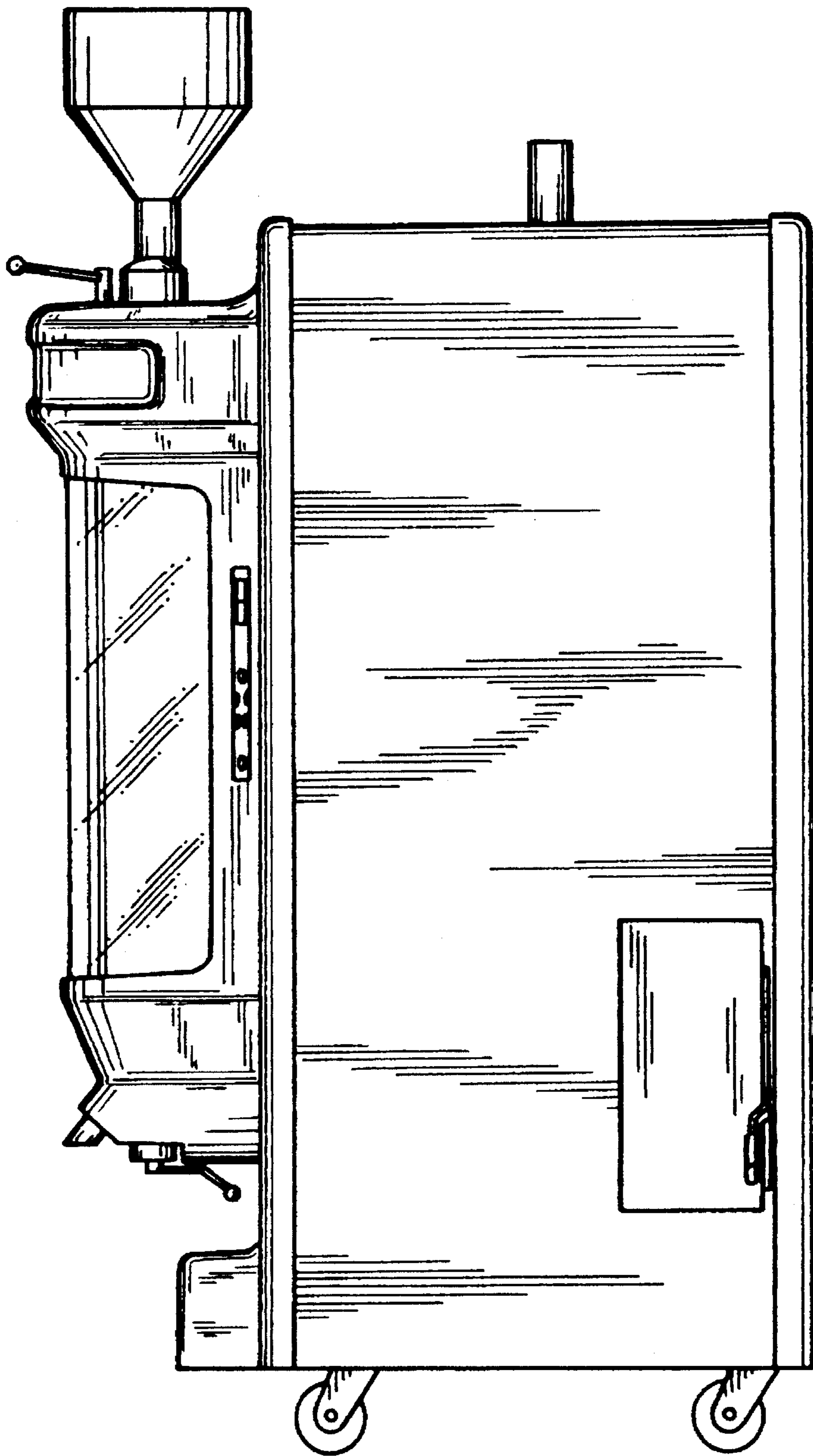


FIG. 4

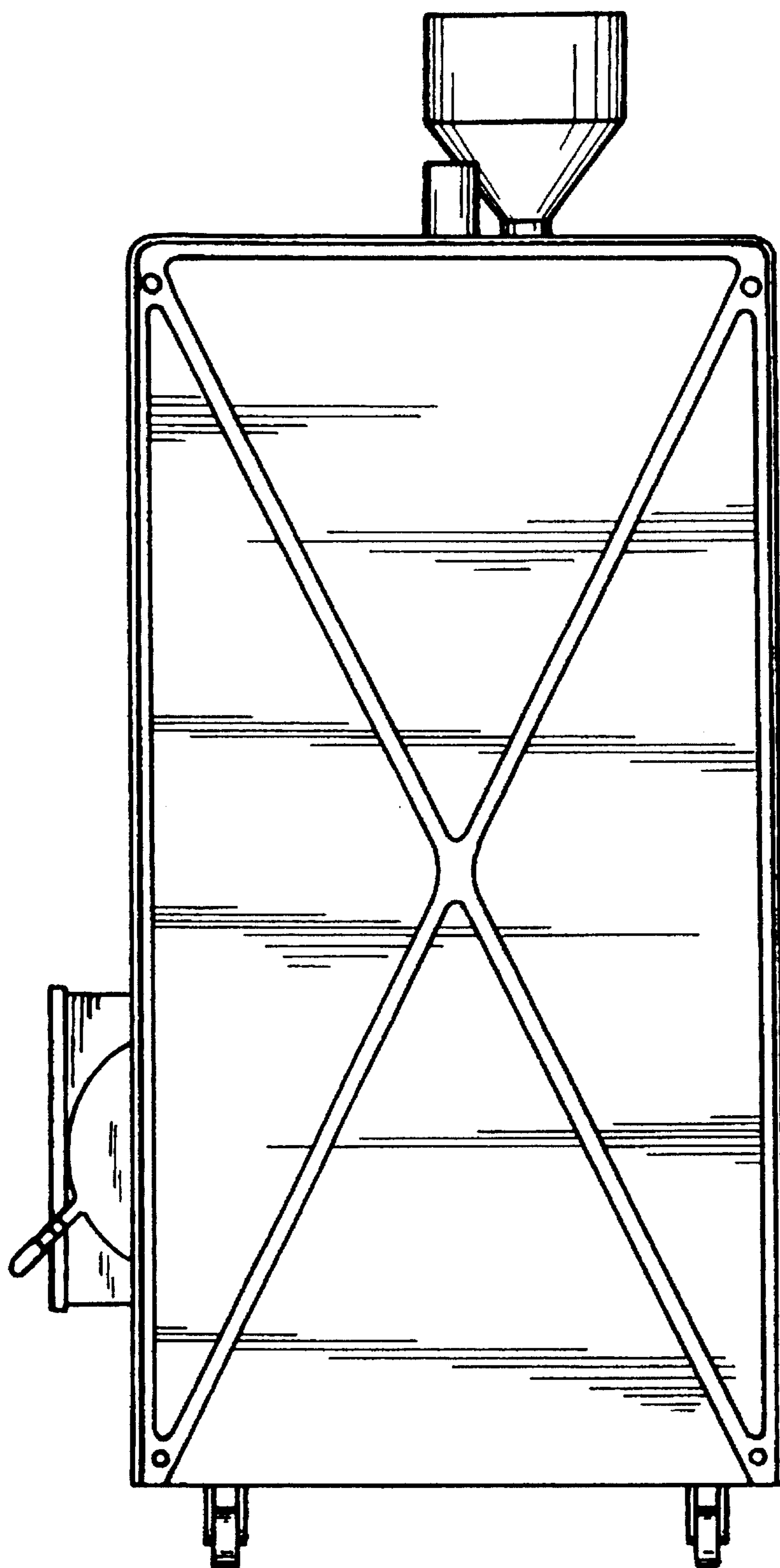


FIG. 5

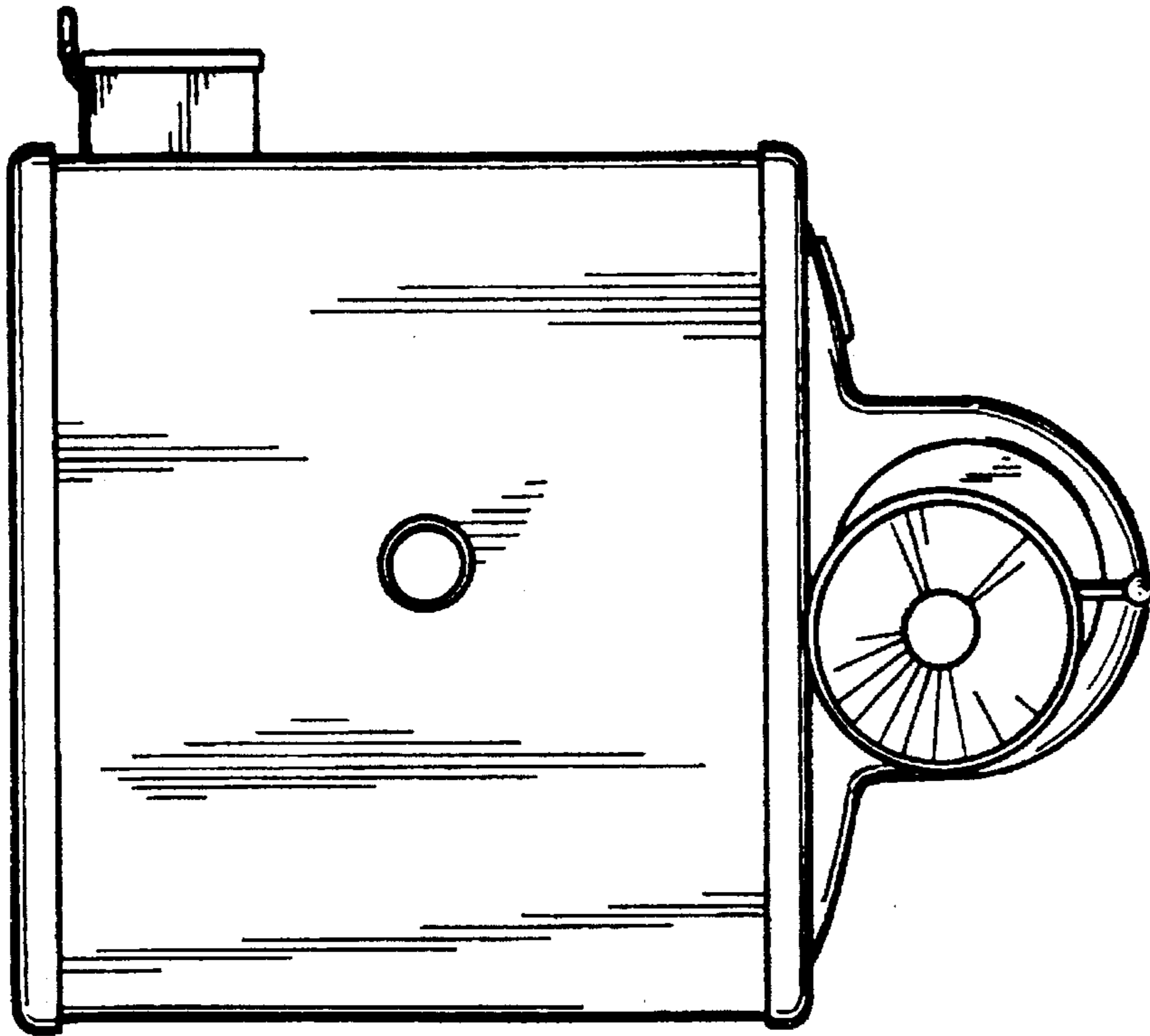


FIG. 7

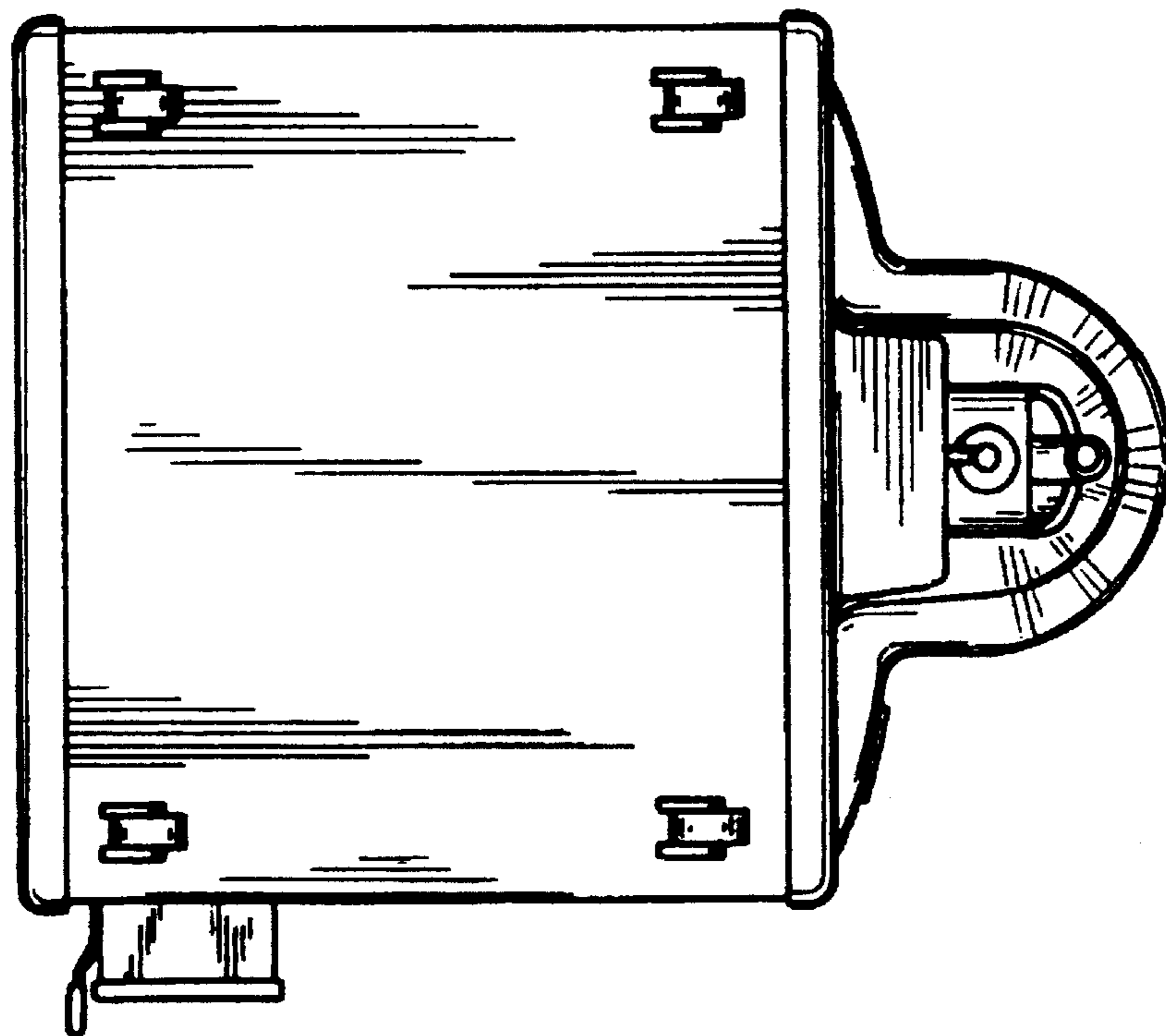


FIG. 6