



US00D373045S

United States Patent [19] Guadalupi

[11] **Patent Number: Des. 373,045**
[45] **Date of Patent: **Aug. 27, 1996**

[54] **DISPENSING UNIT FOR SOFT-DRINKS**

[75] Inventor: **Riccardo Guadalupi**, Ponteranica, Italy

[73] Assignee: **VIN Service S.r.l.**, Bergamo, Italy

[**] Term: **14 Years**

[21] Appl. No.: **7,604**

[22] Filed: **Apr. 26, 1993**

[30] **Foreign Application Priority Data**

Oct. 26, 1992 [IT] Italy MI9200713

[52] **U.S. Cl.** **D7/300; D7/306**

[58] **Field of Search** **D7/398, 397, 300, D7/387, 305, 306, 307, 308, 313; 222/129.1-129.4; D20/4, 5**

[56] **References Cited**

U.S. PATENT DOCUMENTS

| | | | | |
|------------|--------|-----------|-------|----------|
| D. 185,006 | 4/1959 | Langevin | | D7/313 X |
| D. 194,420 | 1/1963 | Cornelius | | D7/308 |
| D. 194,527 | 2/1963 | Cornelius | | D7/308 |
| D. 195,810 | 8/1963 | Hodgman | | D7/308 |
| D. 195,811 | 8/1963 | Hodgman | | D7/308 |
| D. 201,860 | 8/1965 | Reichow | | D7/308 |

| | | | | |
|------------|---------|------------------|-------|--------|
| D. 218,083 | 7/1970 | Hartley | | D7/308 |
| D. 231,502 | 4/1974 | Allard | | D7/308 |
| D. 305,857 | 2/1990 | Schechter et al. | | D7/397 |
| D. 340,616 | 10/1993 | Williams et al. | | D7/398 |
| D. 344,099 | 2/1994 | Koenig | | D20/4 |

Primary Examiner—M. N. Pandozzi
Attorney, Agent, or Firm—George P. Hoare, Jr.; Rogers & Wells

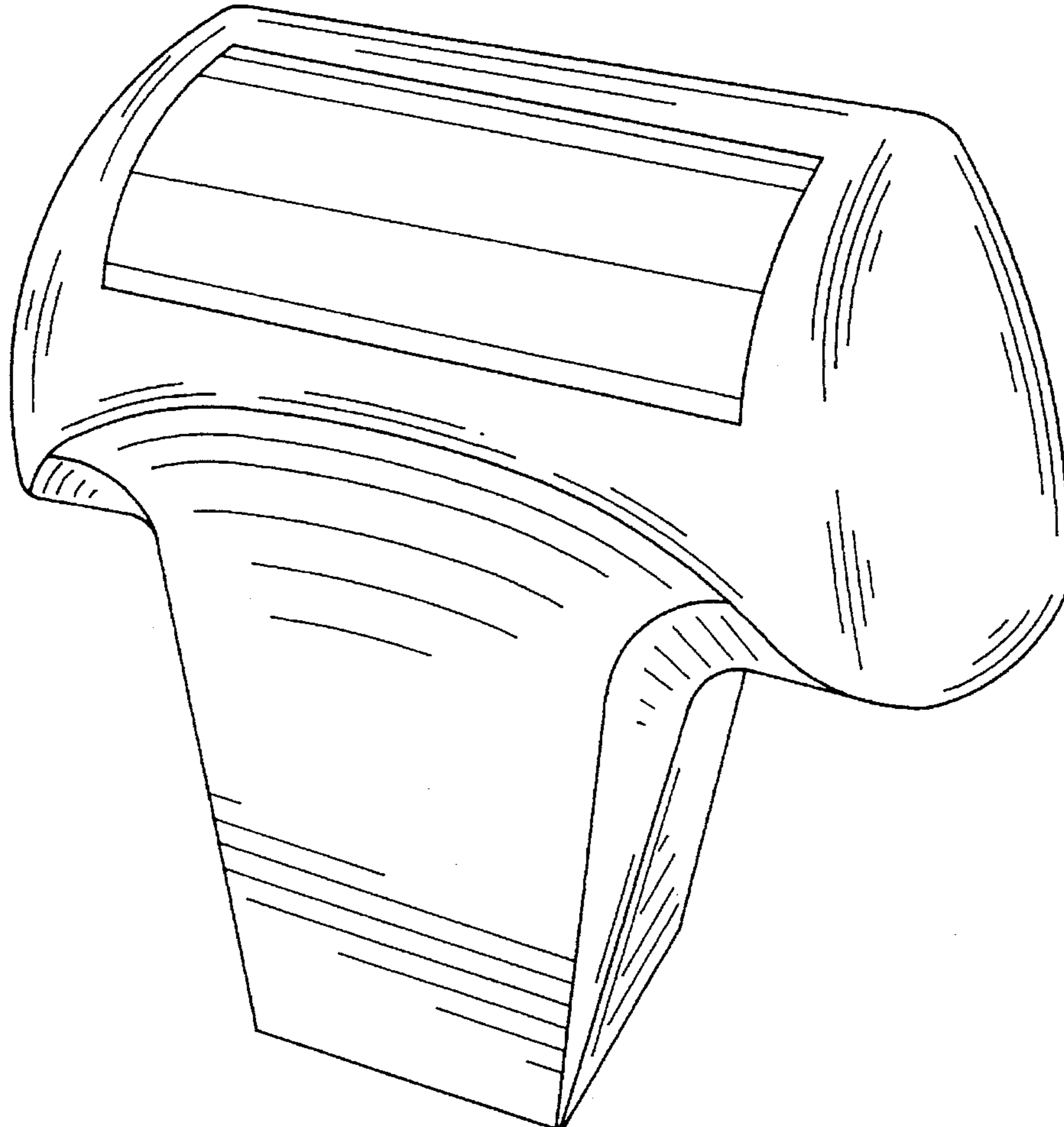
[57] **CLAIM**

The ornamental design for a dispensing unit for soft-drinks, as shown and described.

DESCRIPTION

FIG. 1 is a front perspective view of a dispensing unit for soft drinks showing my design;
FIG. 2 is a right side elevational view which also shows where the soft drink fluid dispensers are located on the dispensing unit;
FIG. 3 is a left side elevational view thereof;
FIG. 4 is a front elevational view thereof;
FIG. 5 is a rear elevational view thereof;
FIG. 6 is a top plan view thereof; and,
FIG. 7 is a bottom plan view thereof.

1 Claim, 3 Drawing Sheets



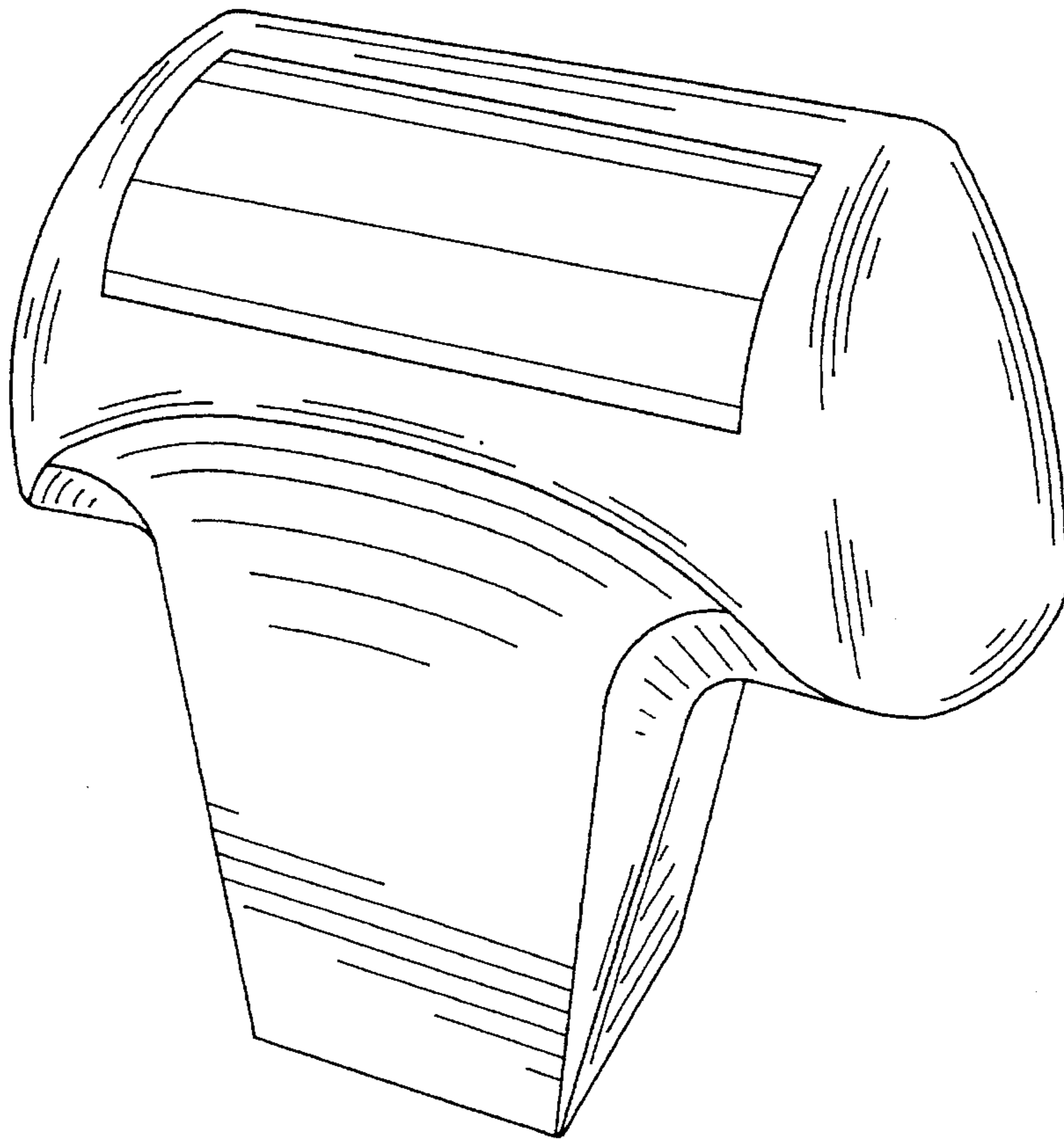


FIG. 1

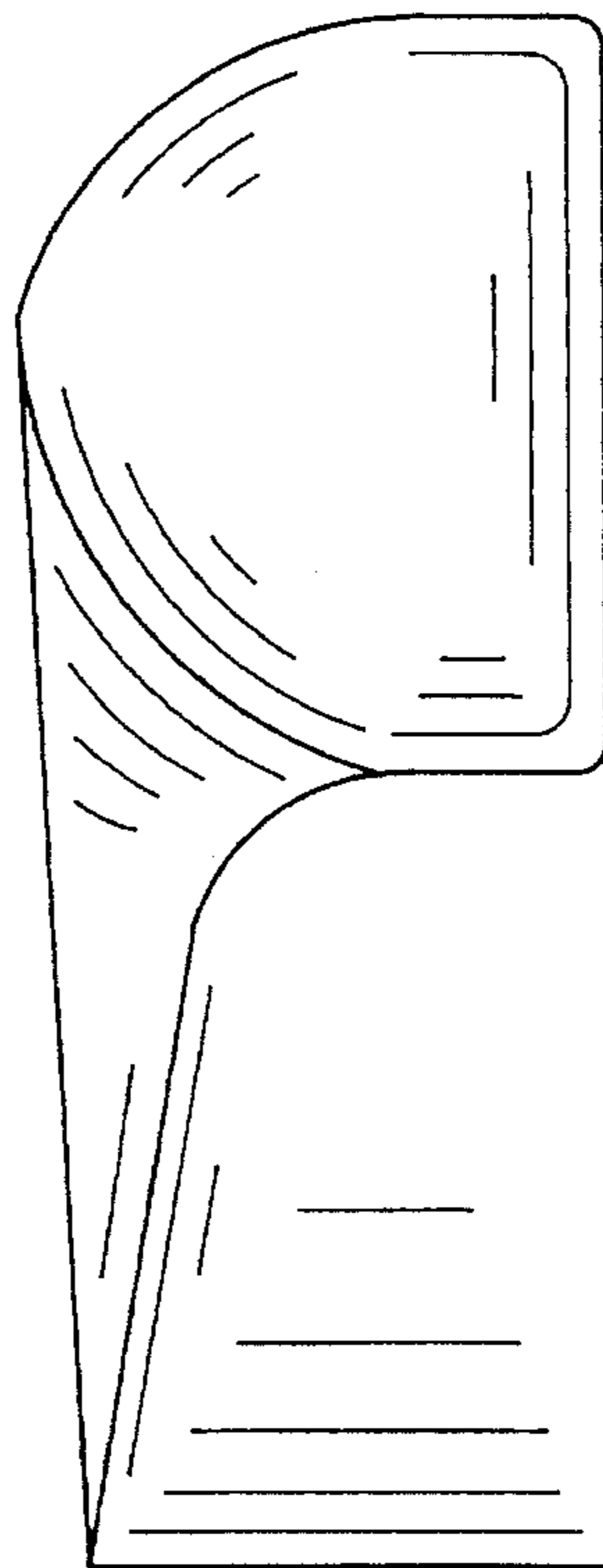


FIG. 2

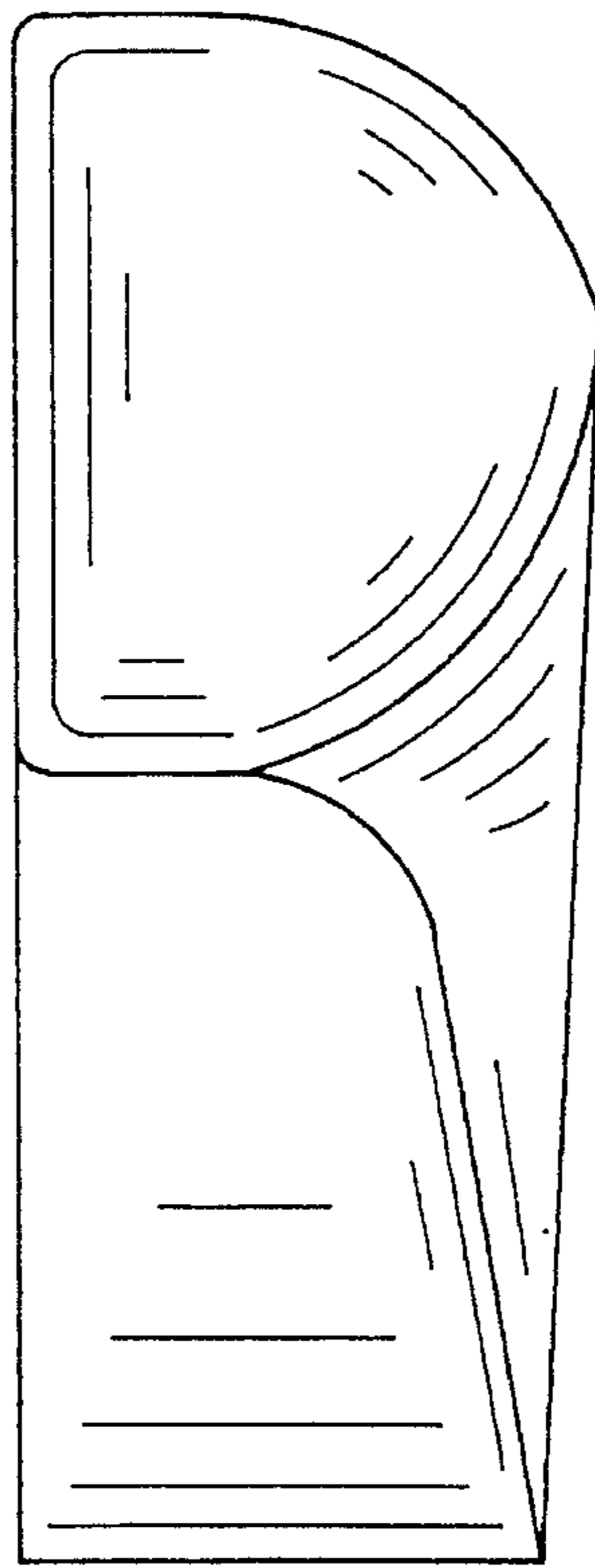


FIG. 3

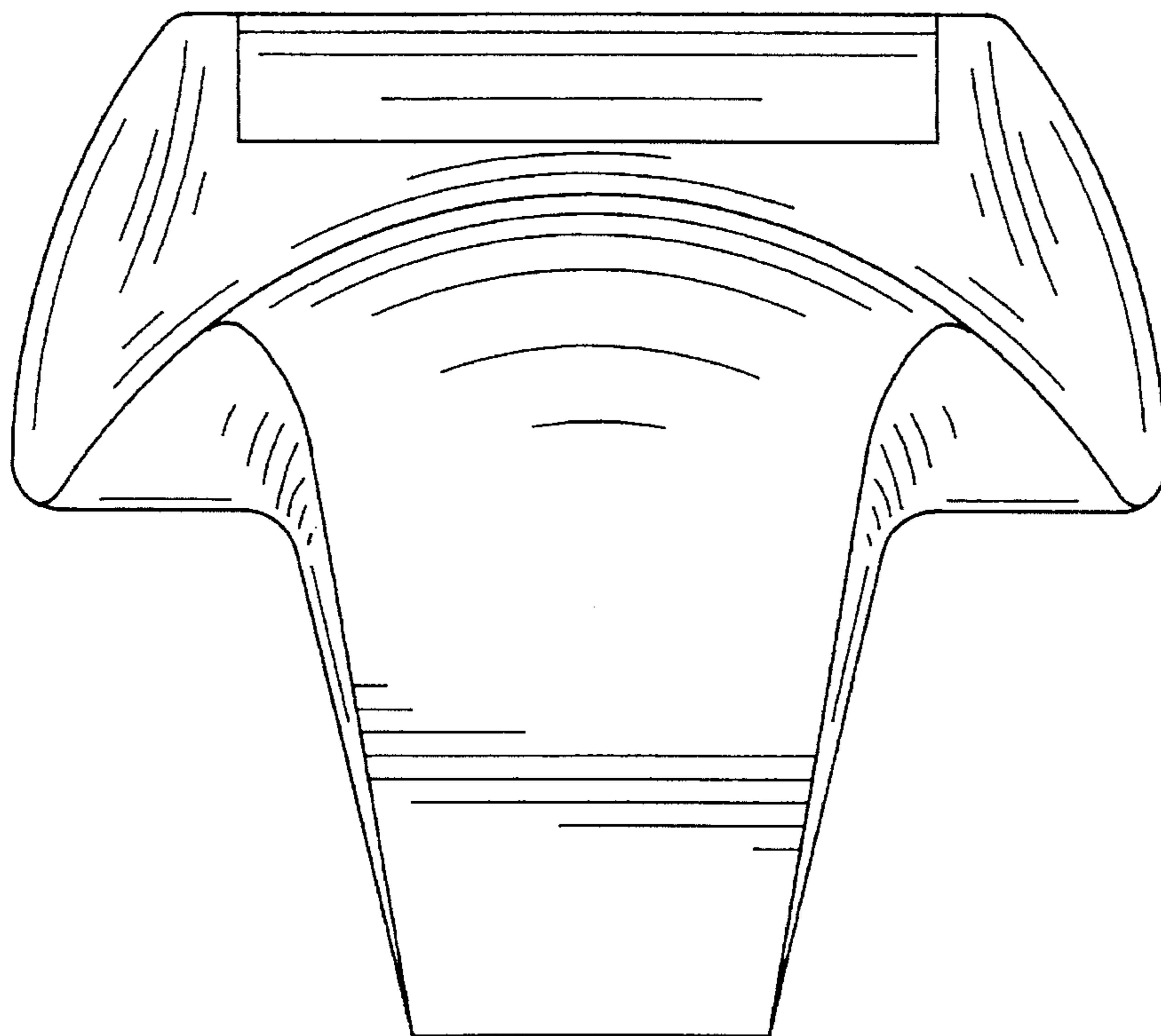


FIG. 4

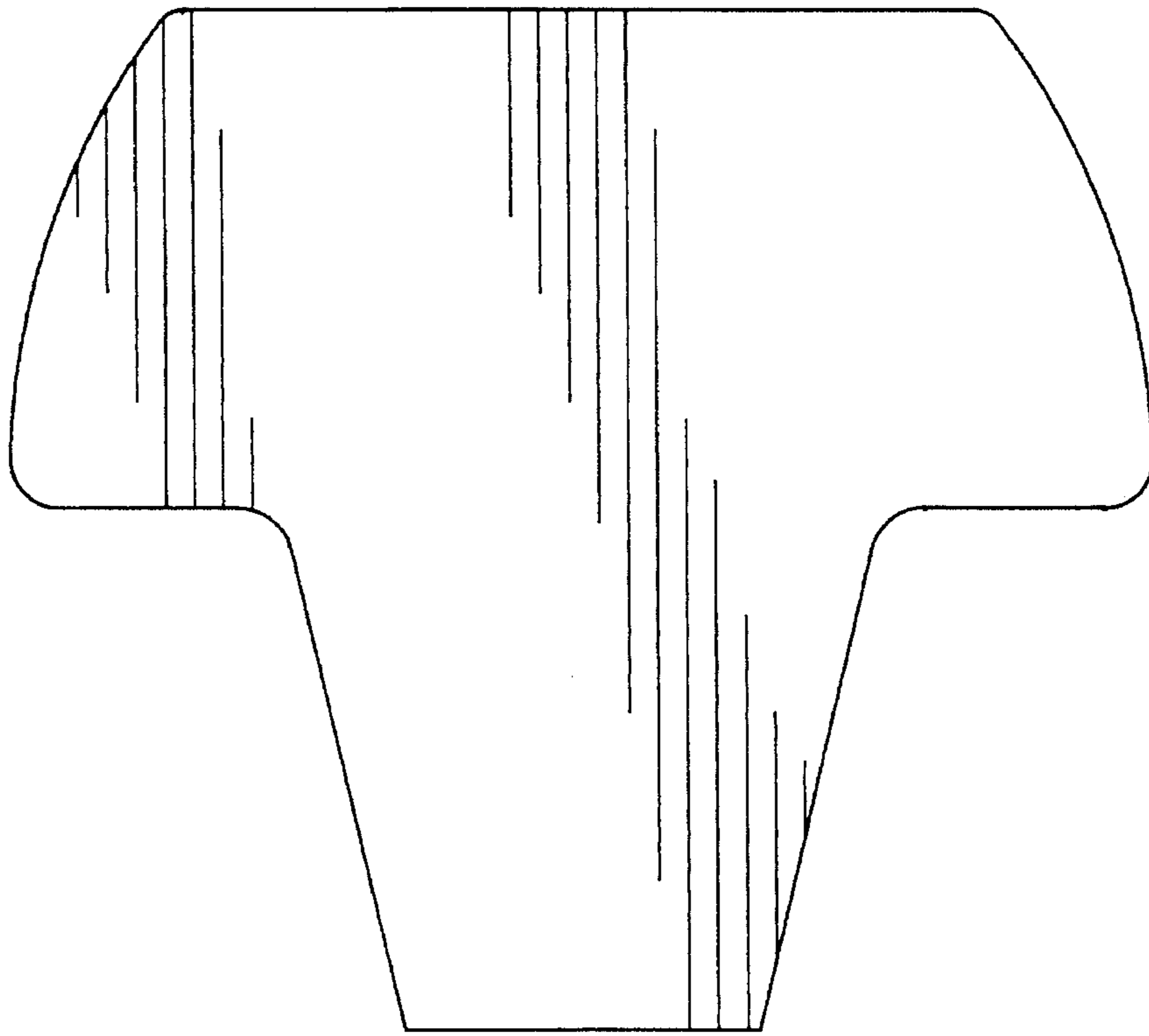


FIG. 5

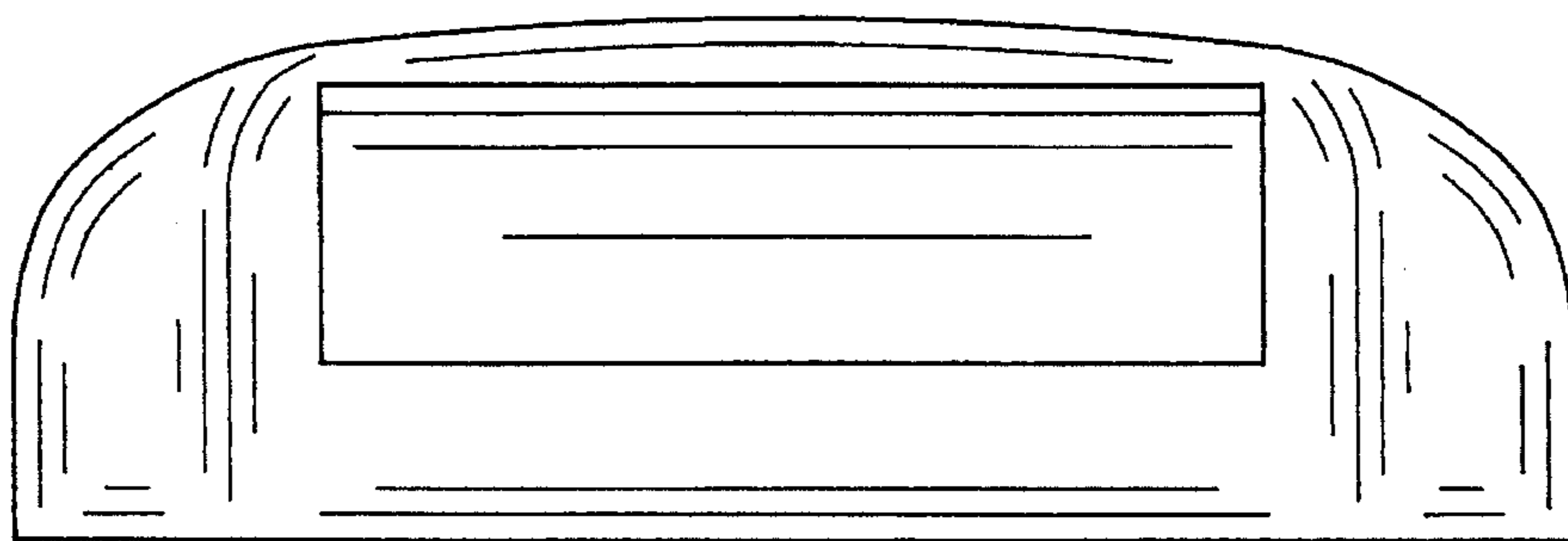


FIG. 6

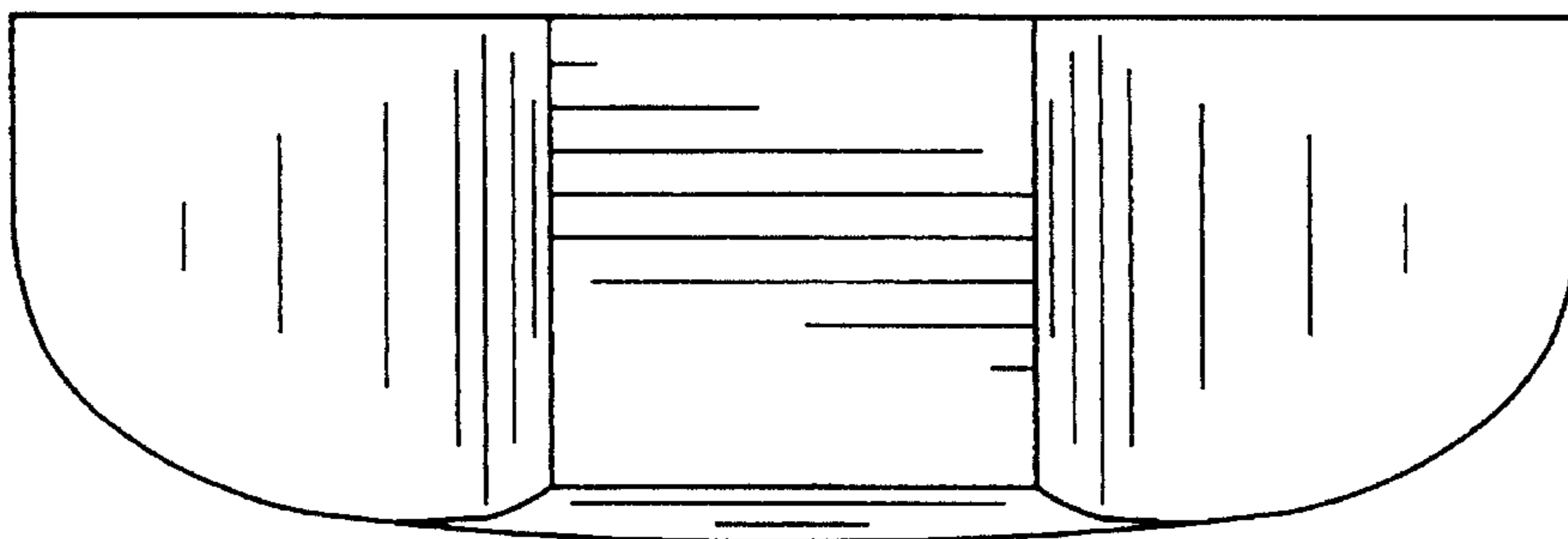


FIG. 7