



US00D373044S

United States Patent [19]
Kikuchi

[11] **Patent Number: Des. 373,044**

[45] **Date of Patent: **Aug. 27, 1996**

[54] **CASE FOR VIDEOCASSETTE**

[75] Inventor: **Ryoko Kikuchi**, Miyagi, Japan

[73] Assignee: **Sony Corporation**, Tokyo, Japan

[**] Term: **14 Years**

[21] Appl. No.: **17,318**

[22] Filed: **Jan. 10, 1994**

[30] **Foreign Application Priority Data**

Jul. 13, 1993 [JP] Japan 5-21388

[52] **U.S. Cl.** **D6/632; D6/634**

[58] **Field of Search** D3/304; D6/407,
D6/626, 629, 630, 632, 633, 634; D19/27,
32, 75, 90; 206/310, 311, 312, 316.1, 387,
425, 444, 528; 211/40, 41

[56] **References Cited**

U.S. PATENT DOCUMENTS

D. 262,414	12/1981	Long et al.	D6/634
D. 265,524	7/1982	Basili et al.	D6/634
D. 281,056	10/1985	de La Tour	D6/634
D. 284,621	7/1986	Swinney	D6/634

D. 305,580	1/1990	Nozaki	D6/634
D. 350,458	9/1994	Plath	D6/407
4,054,206	10/1987	Kobayashi et al.	206/387
4,635,797	1/1987	Bankier	206/425
4,778,051	10/1988	Schaub et al.	206/387
5,232,093	8/1993	Hashizume et al.	206/387

Primary Examiner—C. A. Murphy
Attorney, Agent, or Firm—Jay H. Maioli

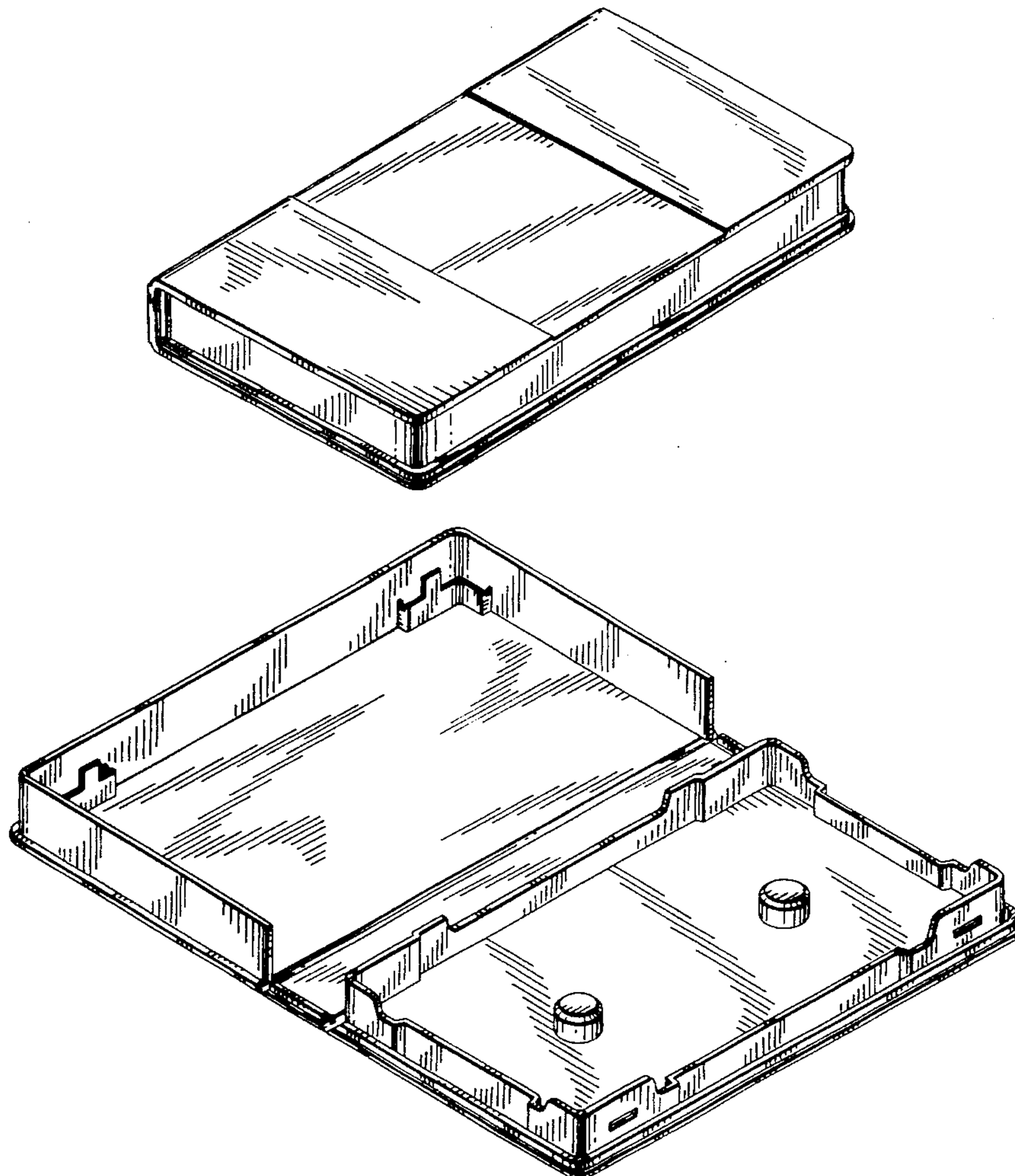
[57] **CLAIM**

The ornamental design for a case for videocassette, as shown and described.

DESCRIPTION

FIG. 1 is a top, front, and left-side perspective view of a case for a videocassette, showing my new design;
FIG. 2 is a top, front and left-side perspective view thereof, shown in the open position;
FIG. 3 is a front elevational view thereof;
FIG. 4 is a rear elevational view thereof;
FIG. 5 is a right-side elevational view thereof, the left side being a mirror image thereof;
FIG. 6 is a top plan view thereof; and,
FIG. 7 is a bottom plan view thereof.

1 Claim, 4 Drawing Sheets



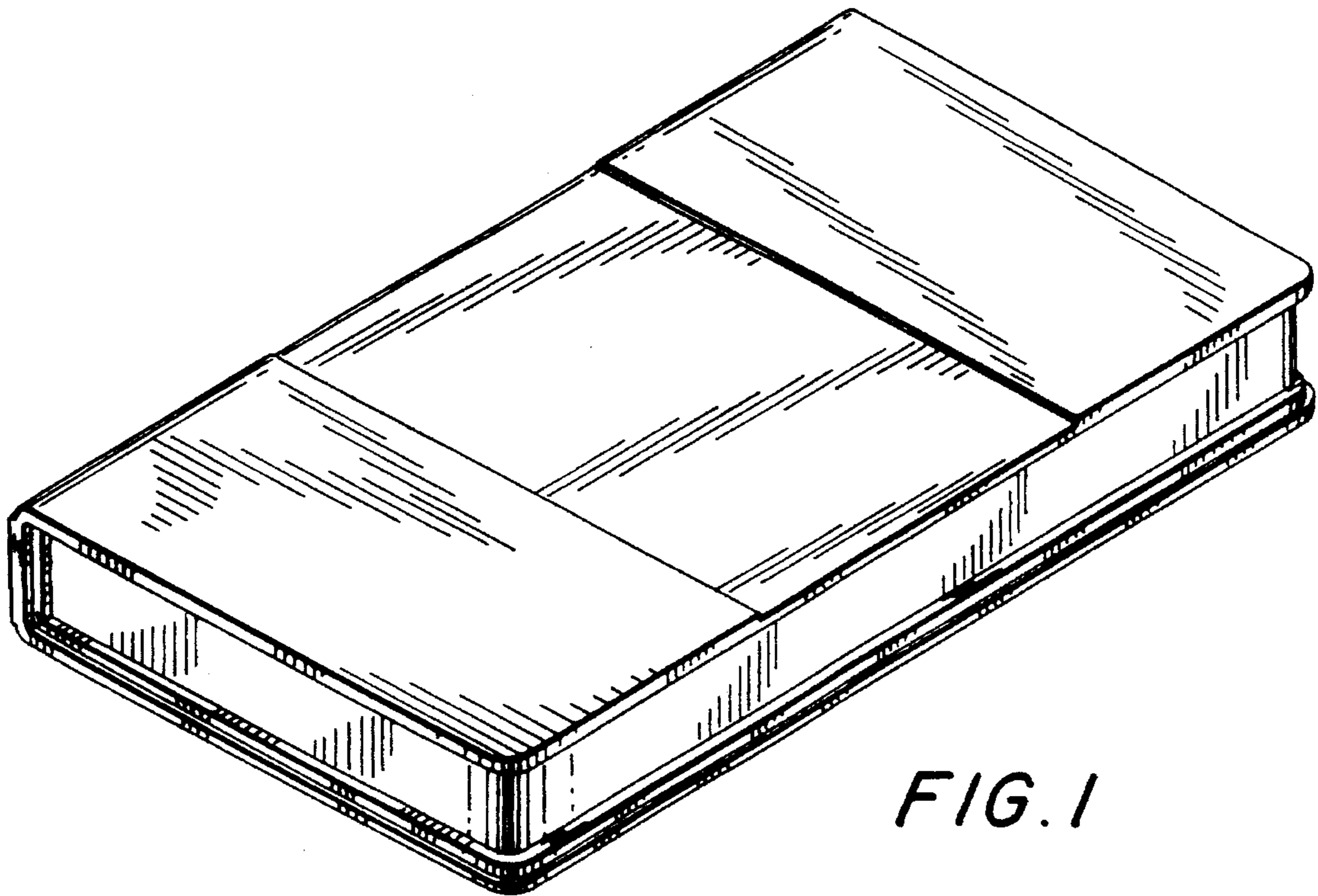


FIG. 1

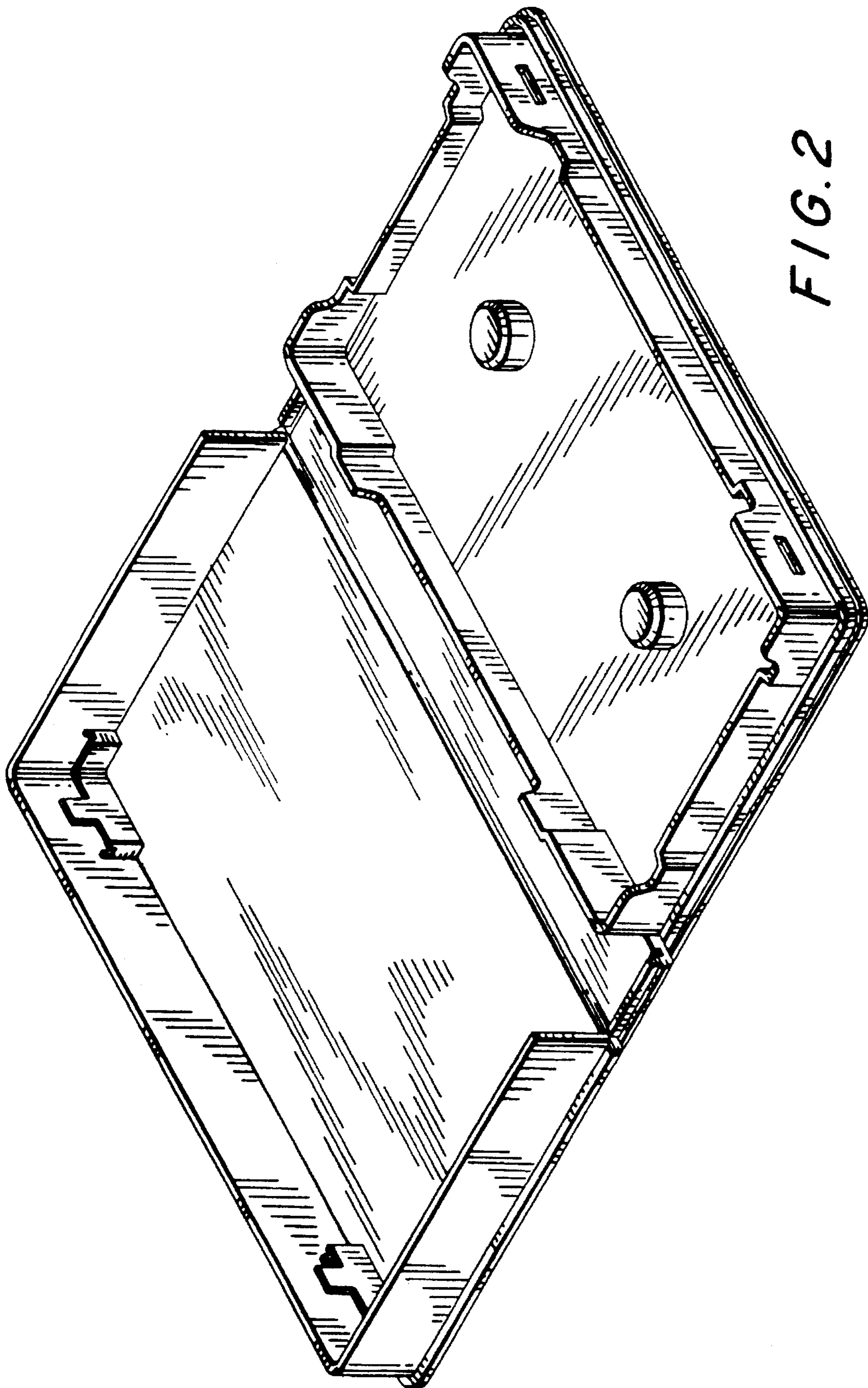


FIG. 2

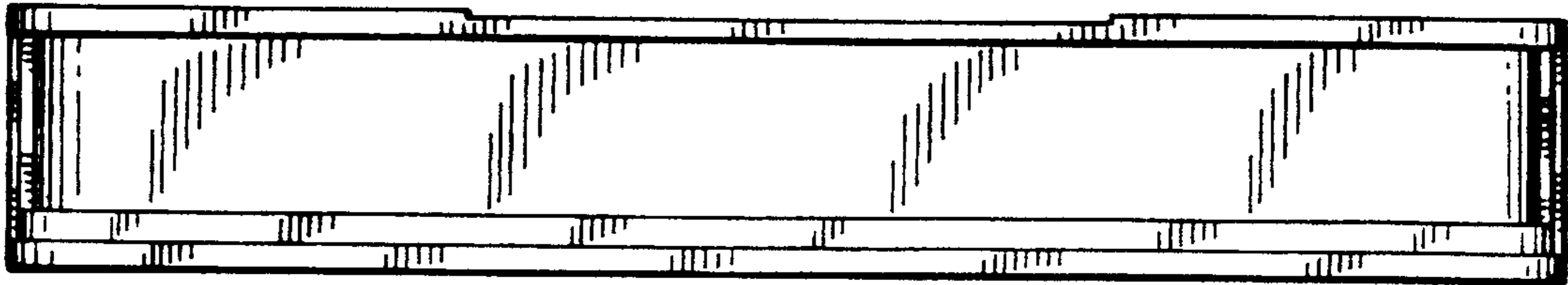


FIG. 3

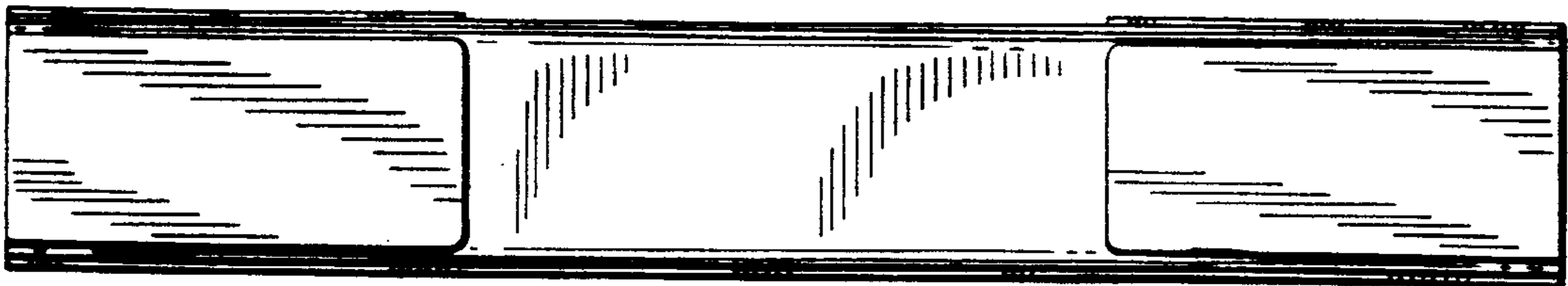


FIG. 4

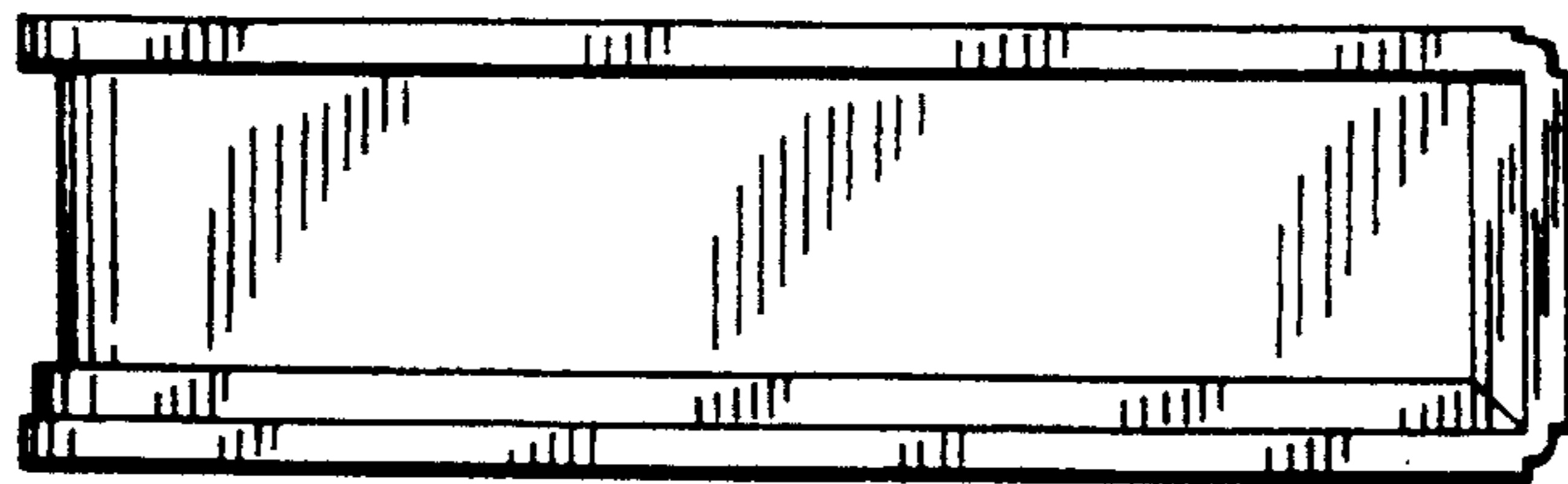


FIG. 5

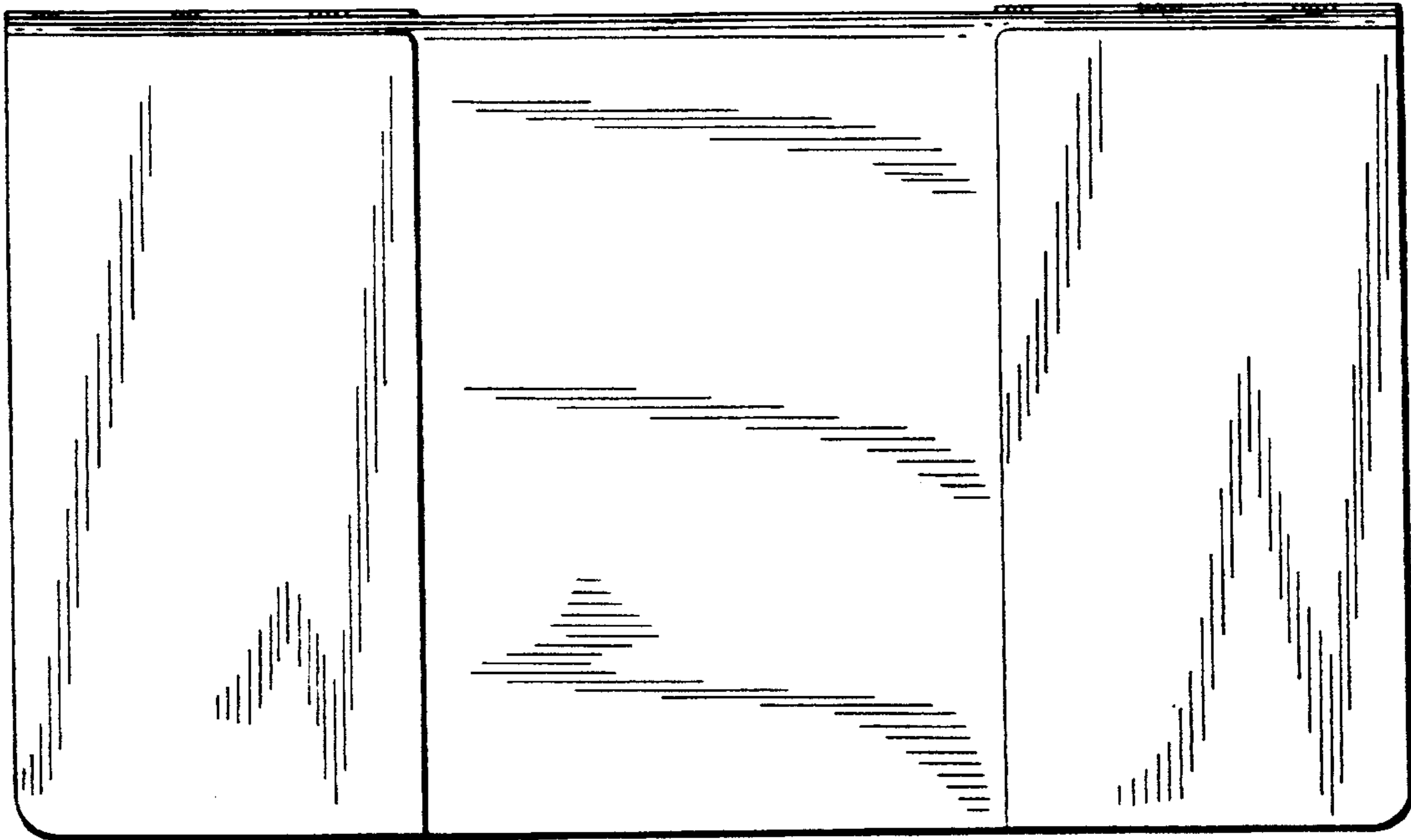


FIG. 6

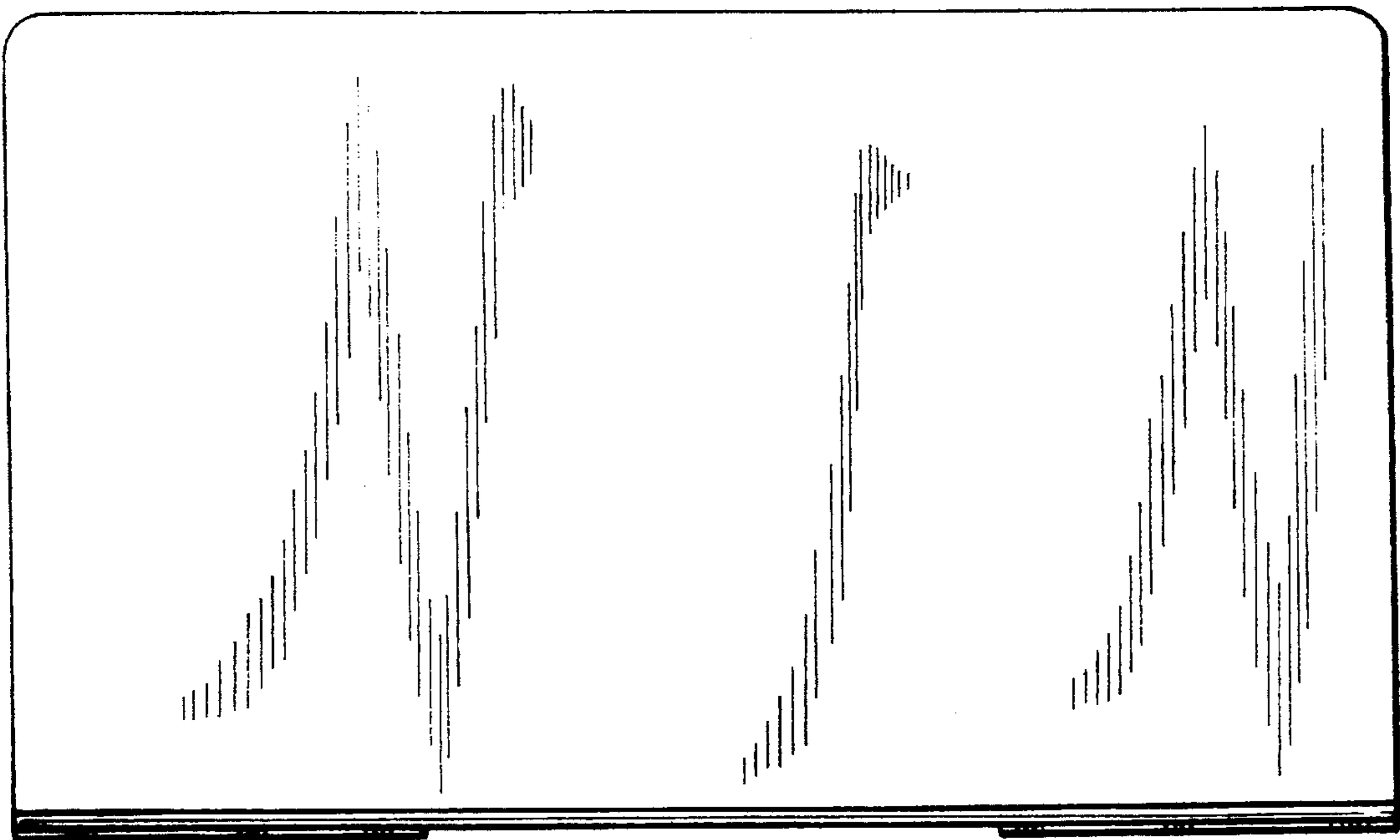


FIG. 7