



US00D373043S

United States Patent [19]

[11] Patent Number: Des. 373,043

Zumbo et al.

[45] Date of Patent: **Aug. 27, 1996

[54] **PERFORATED ROLL OF PLACEMATS**

[76] Inventors: **Michael S. Zumbo; Renee H. Zumbo**,
both of 6416 Telegraph Ave., Oakland,
Calif. 94609

[**] Term: **14 Years**

[21] Appl. No.: **28,074**

[22] Filed: **Sep. 6, 1994**

[52] U.S. Cl. **D6/613; D6/616; D6/518**

[58] Field of Search **D6/595, 613, 616,
D6/518, 522, 523; 312/34-8; 428/43, 153,
906, 189, 192, 131-137**

[56] **References Cited**

U.S. PATENT DOCUMENTS

D. 243,305	2/1977	Kobashikawa	D6/271
D. 264,790	6/1982	Kamel et al.	D6/271
D. 265,038	6/1982	Tomasi	D6/271
D. 266,045	9/1982	Kamel et al.	D6/271
D. 272,028	1/1984	Dempster	D6/274
D. 309,158	7/1990	Shattan	D6/518
D. 312,548	12/1990	Sewak	D6/614
D. 336,580	6/1993	White et al.	D6/518
453,003	5/1891	Hicks	428/43
3,939,976	2/1976	Van Iseghem, Jr.	108/90 X

3,983,277	9/1976	Ackerman et al.	428/46
4,393,104	7/1983	Fink	428/7
4,457,964	7/1984	Kamihstein	428/132 X
5,064,701	11/1991	Dowd	428/46
5,104,699	4/1992	Pantaleo et al.	428/13

OTHER PUBLICATIONS

Letraset Catalogue 1983 p. 152 item No. BB117.

Primary Examiner—A. Hugo Word

Assistant Examiner—Cynthia E. Ramirez

Attorney, Agent, or Firm—Kevin A. Sembrat

[57] **CLAIM**

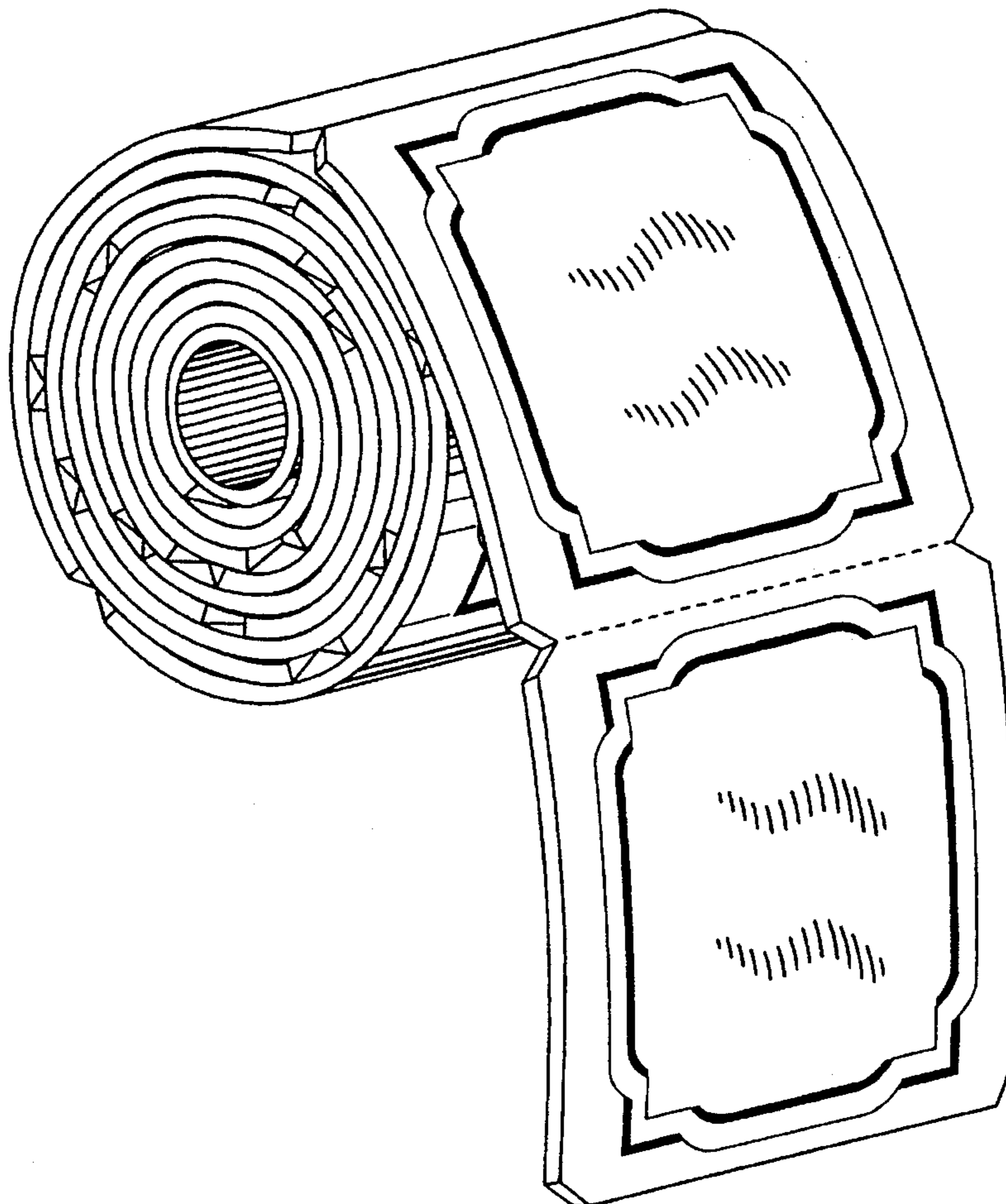
The ornamental design for a perforated roll of placemats, as shown and described.

DESCRIPTION

FIG. 1 is a front and left side perspective view of a perforated roll of placemats showing my new design; and, FIG. 2 is a rear and left side perspective view thereof, showing my new design, with the right side constituting a mirror-image of the left side.

The placemats in the roll are understood to be of conventional thickness. The undisclosed top side and bottom side of the placemats in the roll is plain and unornamented.

1 Claim, 2 Drawing Sheets



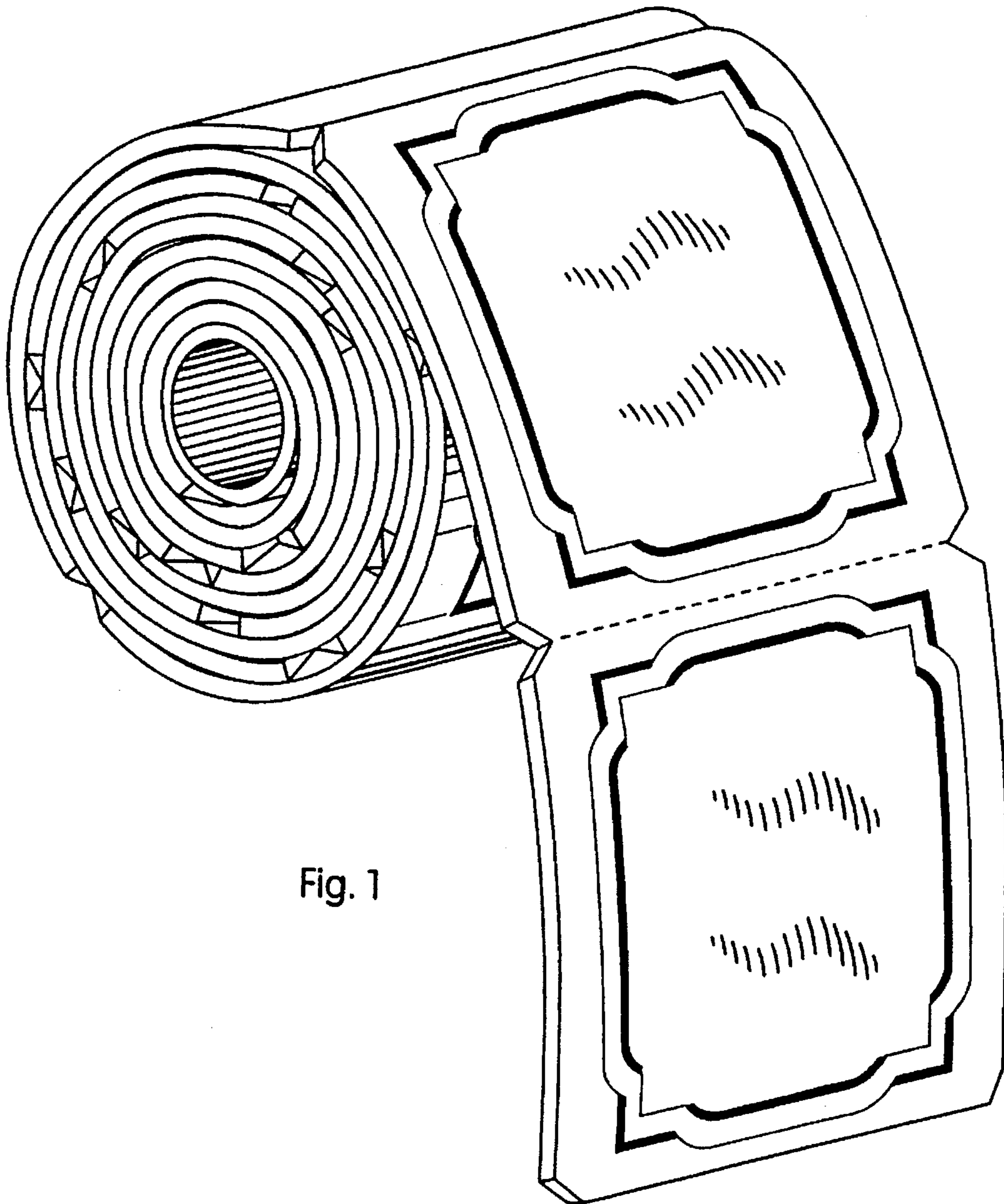


Fig. 1

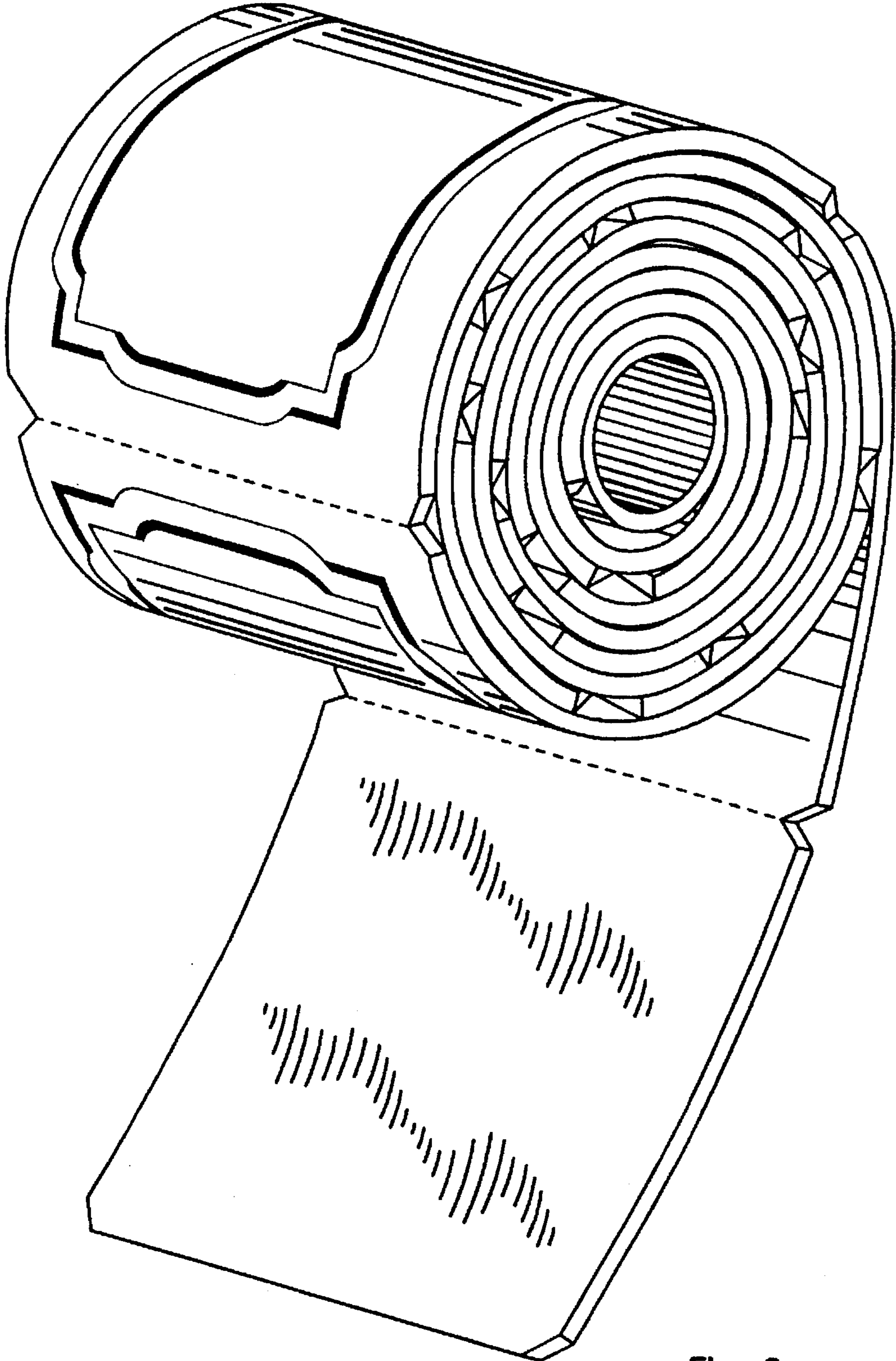


Fig. 2