



US00D373032S

# United States Patent [19]

Williamson-Markman

[11] Patent Number: Des. 373,032

[45] Date of Patent: \*\*Aug. 27, 1996

[54] TIERED STORAGE UNIT

[76] Inventor: **Judith A. Williamson-Markman**, 5167 Jarom, Las Vegas, Nev. 89120

[\*\*] Term: **14 Years**

[21] Appl. No.: **34,522**

[22] Filed: **Feb. 7, 1995**

[52] U.S. Cl. .... **D6/437; D6/441**

[58] Field of Search ..... D6/432-448, 455, D6/457, 460, 468, 469; 312/198, 199, 138.1; 211/69, 70; D19/85; 108/92

2,484,894	10/1949	Lindsay .	
2,697,294	12/1954	Zenker et al. ....	D7/610 U X
2,800,382	7/1957	Engstrom .	
2,827,354	3/1958	Wassell et al. .	
3,843,220	10/1974	Snider .	
4,206,567	6/1980	Cieslak .	
4,416,493	11/1983	Sumner .	
4,461,790	7/1984	Snider .	
4,757,956	7/1988	McGuire .....	211/70 X
5,007,569	4/1991	Zarb .	
5,120,262	6/1992	Caine .	

Primary Examiner—Carmen H. Vales-Lado  
Attorney, Agent, or Firm—Quirk & Tratos

## [57] CLAIM

The ornamental design for a tiered storage unit, as shown and described.

## DESCRIPTION

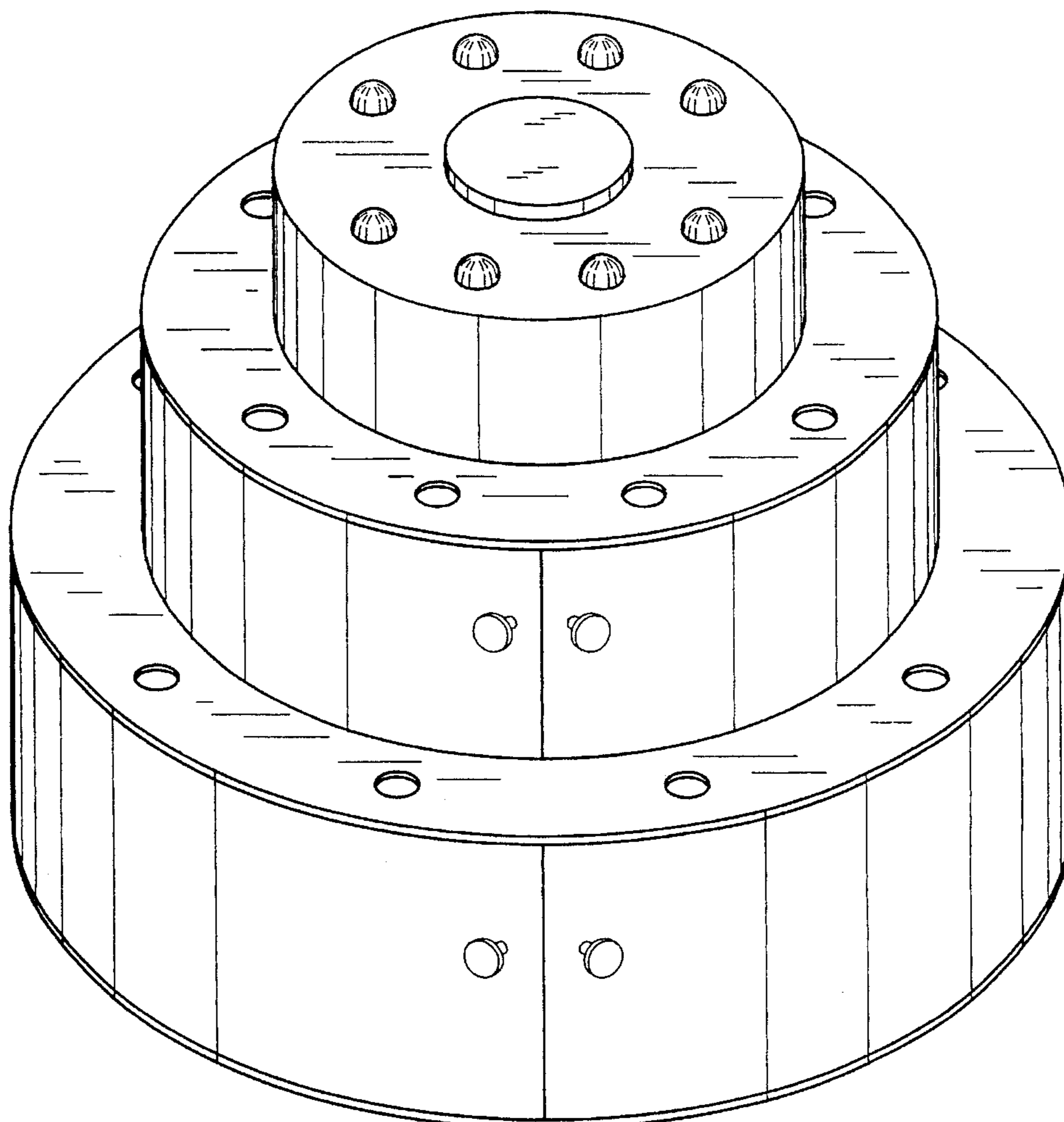
FIG. 1 is a perspective view of a tiered storage unit showing my new design;  
FIG. 2 is a front elevational view thereof;  
FIG. 3 is a top plan view thereof; and,  
FIG. 4 is a perspective view with the middle and bottom storage doors opened for convenience of illustration.

1 Claim, 4 Drawing Sheets

## [56] References Cited

### U.S. PATENT DOCUMENTS

D. 60,965	5/1922	Schoeck .....	D6/441
D. 152,384	1/1949	Weaver .....	D6/441
168,715	10/1875	Buck .....	108/92
222,107	11/1879	Waters .....	211/69 X
D. 296,568	7/1988	Nadeau .....	D19/85 X
298,633	5/1884	Snow .	
D. 354,989	1/1995	West .....	D19/85
422,015	2/1890	Falke .	
513,061	1/1894	Slater .	
2,124,352	7/1938	Patten .	



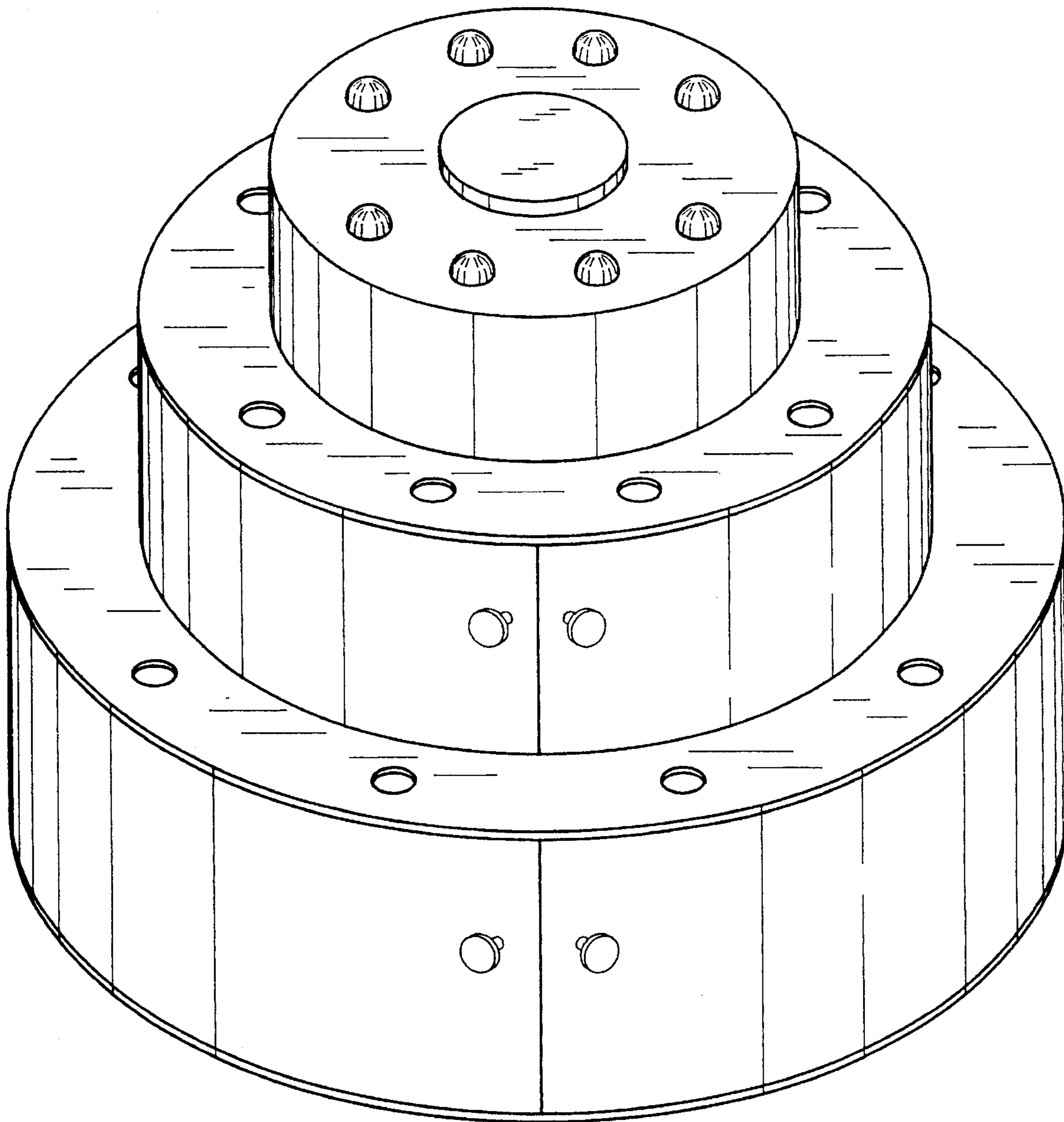


FIG. 1

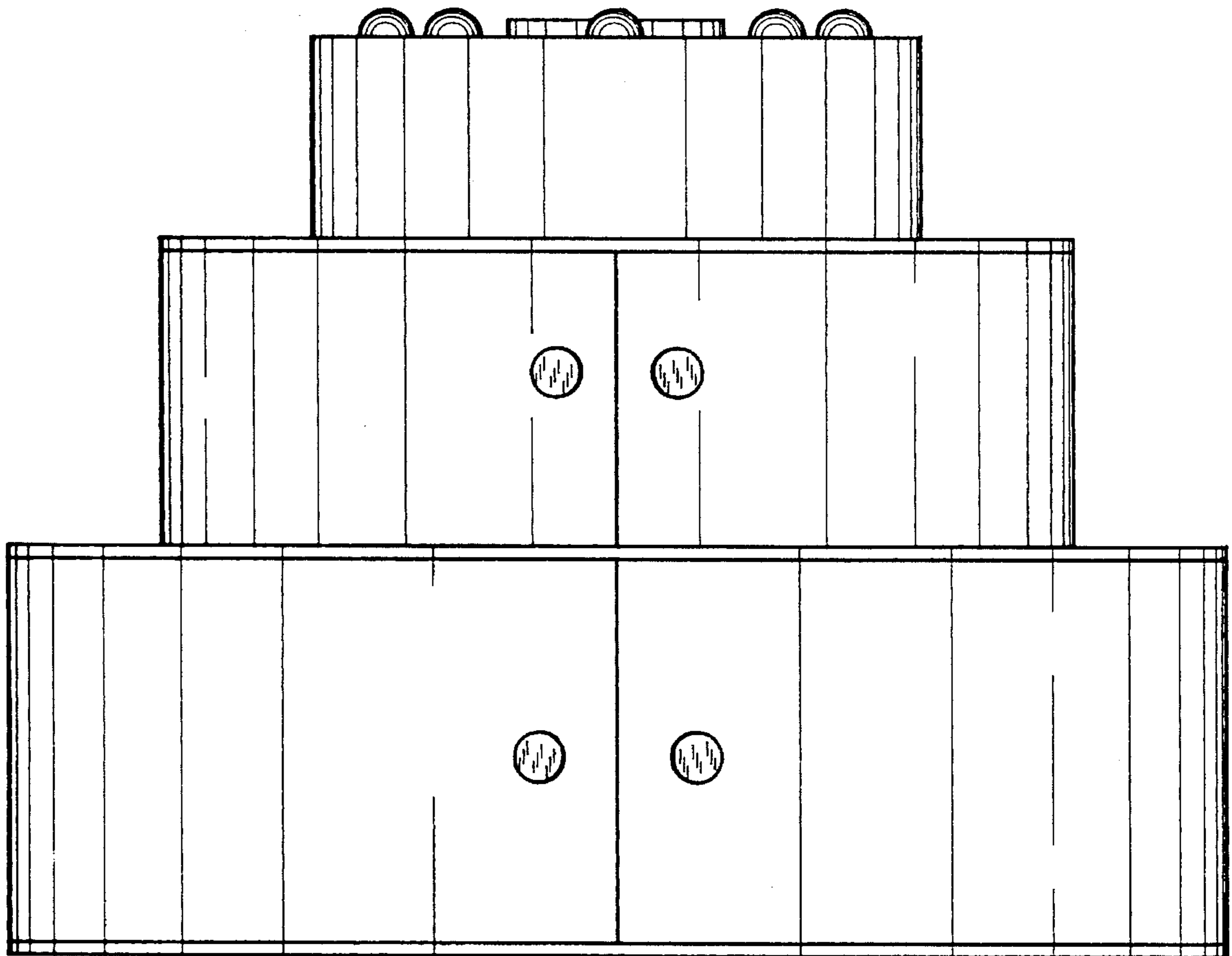


FIG. 2

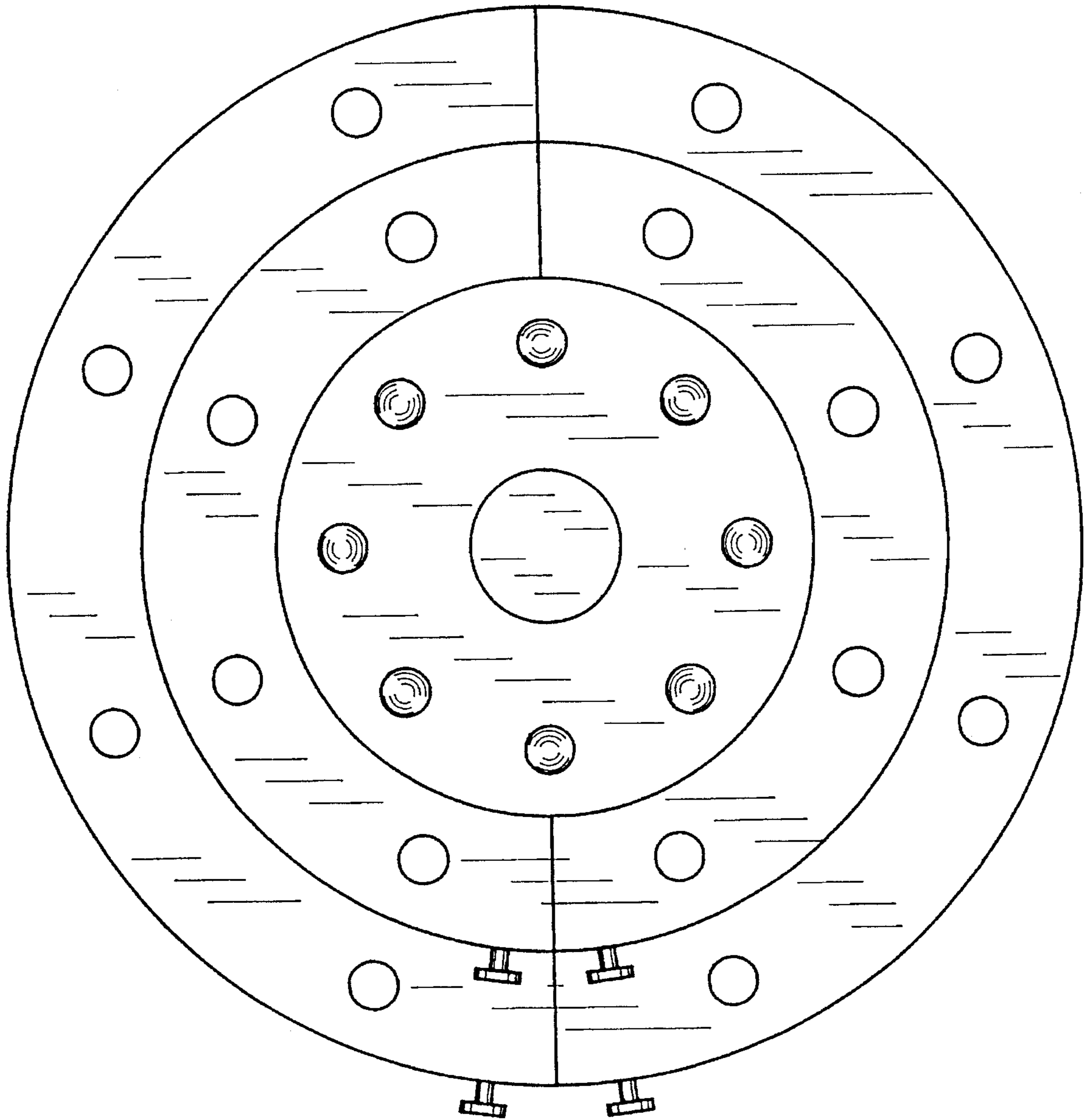


FIG. 3

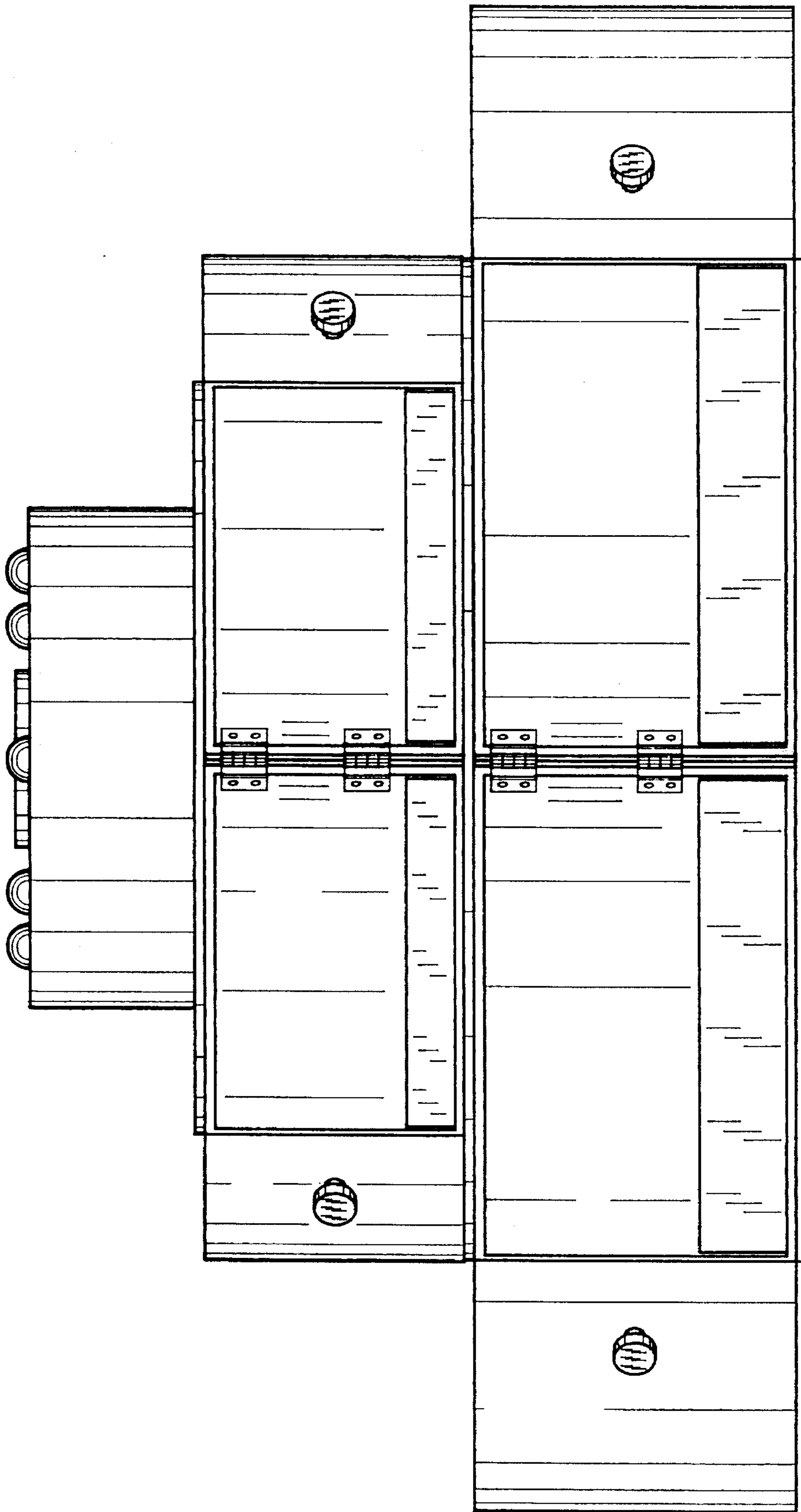


FIG. 4