



US00D373030S

United States Patent [19]
Chen

[11] **Patent Number: Des. 373,030**
[45] **Date of Patent: **Aug. 27, 1996**

[54] **CHAIR**

2709543 9/1978 Germany 297/445

[76] Inventor: **Chao K. Chen**, 6F, No. 6, Alley 24,
Lane 267, Chan-An Street, Lu-Chou,
Taipei, Taiwan

Primary Examiner—Louis S. Zarfus
Assistant Examiner—Monica A. Hannon
Attorney, Agent, or Firm—Larson and Taylor

[**] Term: **14 Years**

[57] **CLAIM**

The ornamental design for chair, as shown and described.

[21] Appl. No.: **13,792**

DESCRIPTION

[22] Filed: **Oct. 1, 1993**

[52] U.S. Cl. **D6/341; D6/336; D6/338**

[58] **Field of Search** D6/334, 335, 336,
D6/338, 341; 297/160, 162, 174, 192, 445

FIG. 1 is a perspective view of the chair showing my new design in which the back and seat thereof are depicted in a raised position and the desk portion thereof is depicted in the horizontal position;

FIG. 2 is a right side elevational view thereof;

FIG. 3 is a left side elevational view thereof;

FIG. 4 is a front elevational view thereof;

FIG. 5 is a rear elevational view hereof;

FIG. 6 is a top plan view thereof;

FIG. 7 is a front elevational view of the chair with the desk portion thereof depicted in the vertical position; and,

FIG. 8 is a left side elevational view of the chair depicting the back seat in a lowered position.

[56] **References Cited**

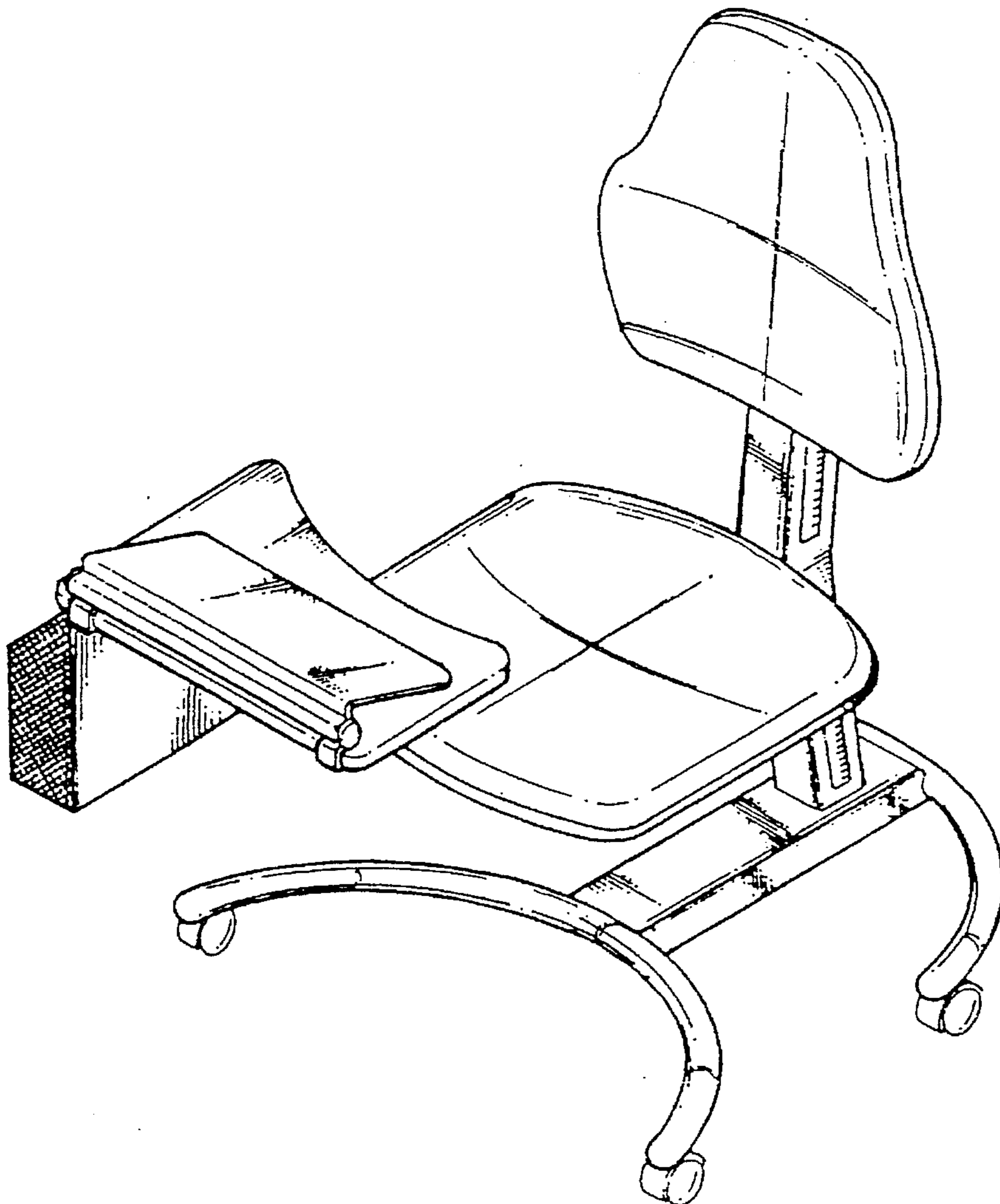
U.S. PATENT DOCUMENTS

D. 110,953	8/1938	Bargen	D6/336	X
D. 332,703	1/1993	Gulliver	D6/336	X
2,165,125	7/1939	Bargen	297/160	X
4,798,411	1/1989	Lin	297/174	X

FOREIGN PATENT DOCUMENTS

29902	9/1958	Finland	297/174
-------	--------	---------	-------	---------

1 Claim, 8 Drawing Sheets



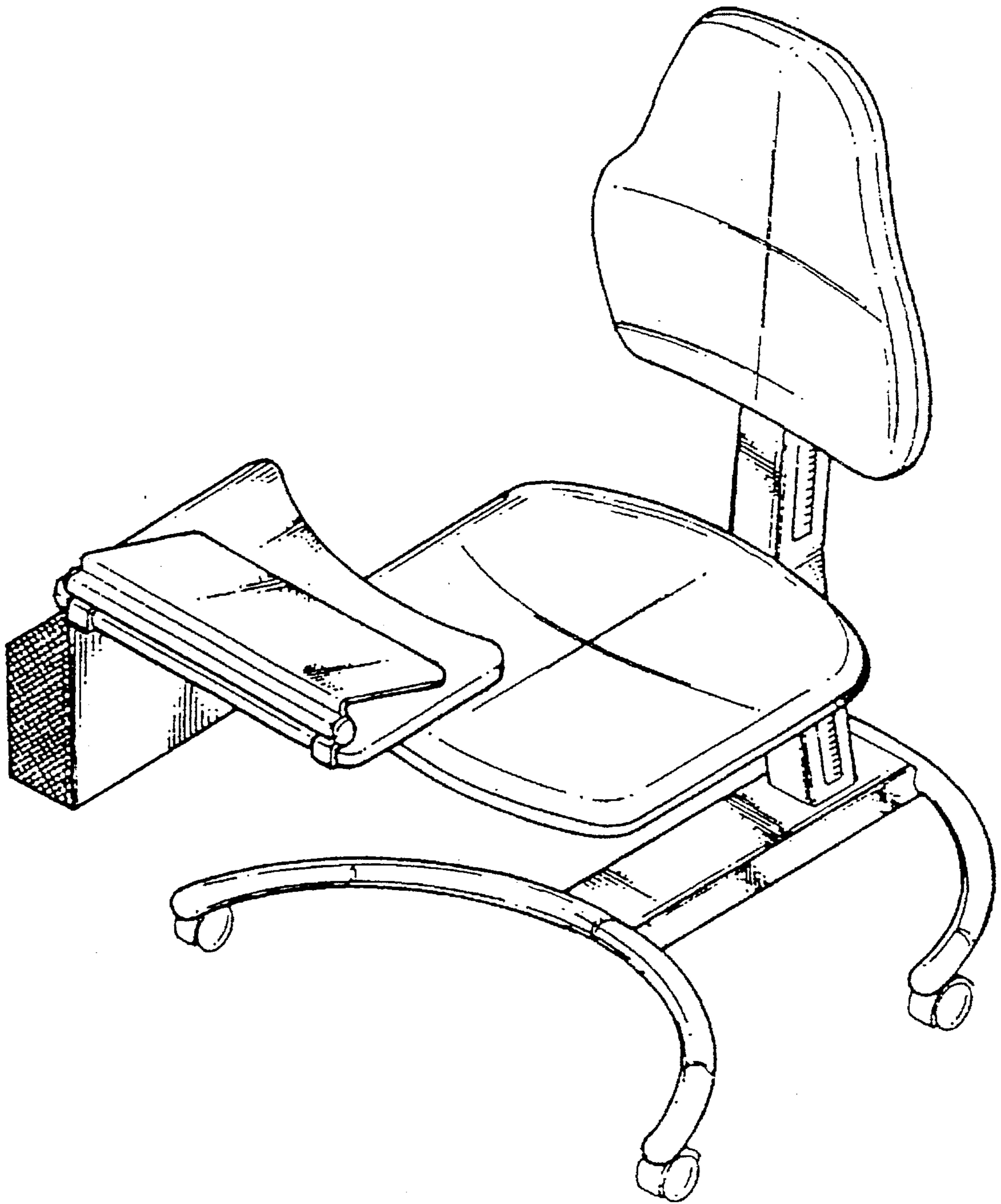


FIG 1

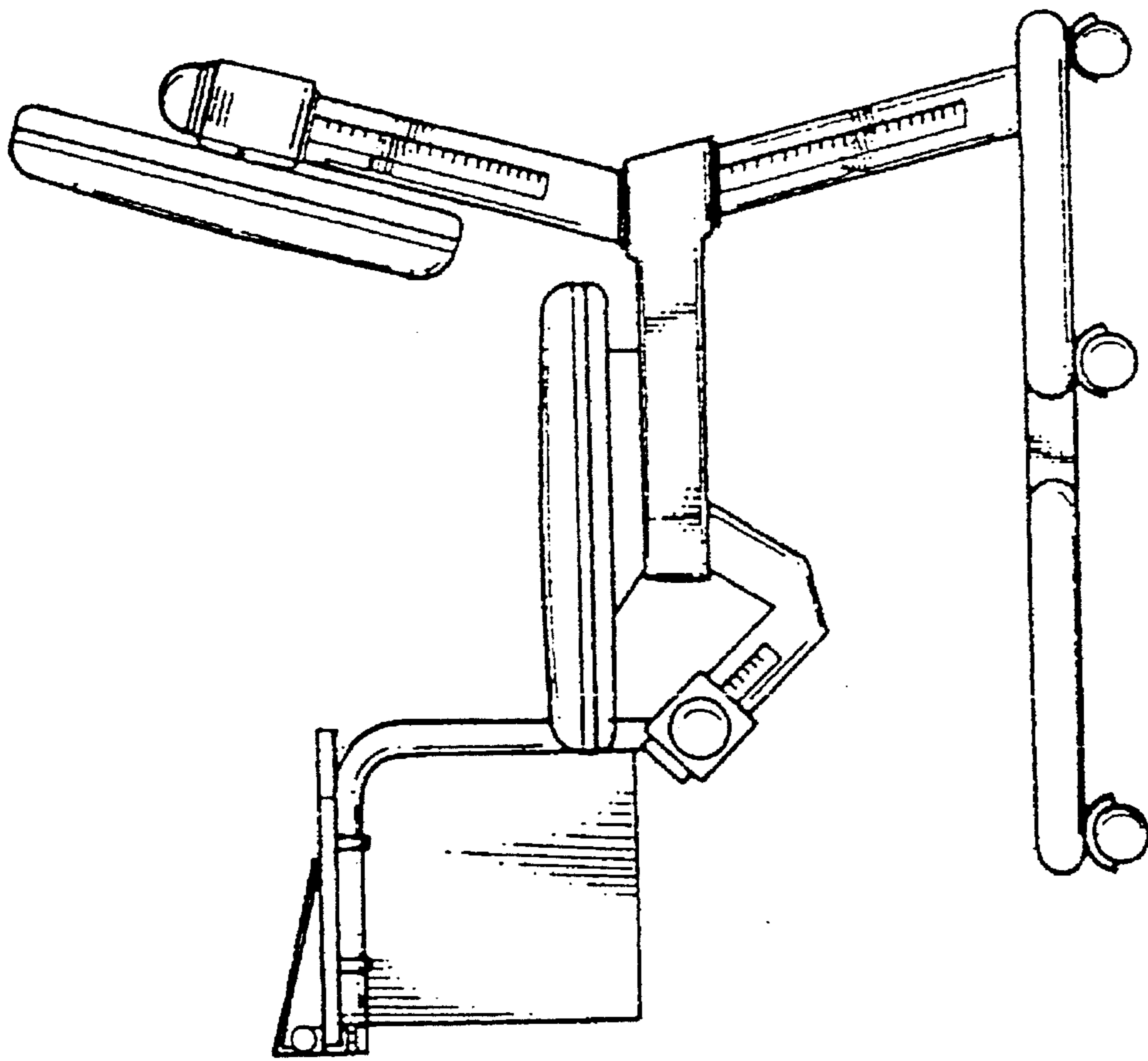


FIG 2

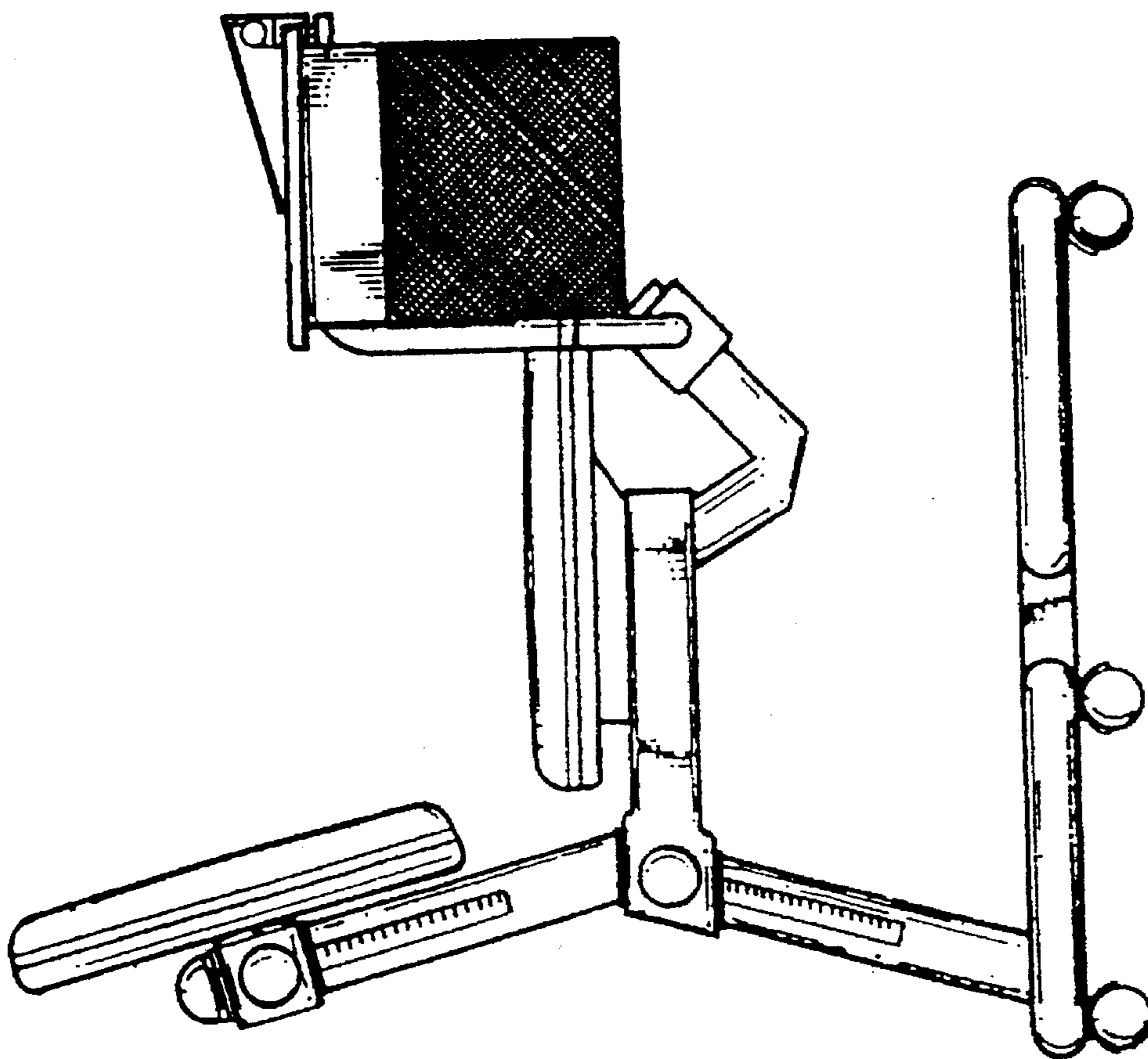


FIG 3

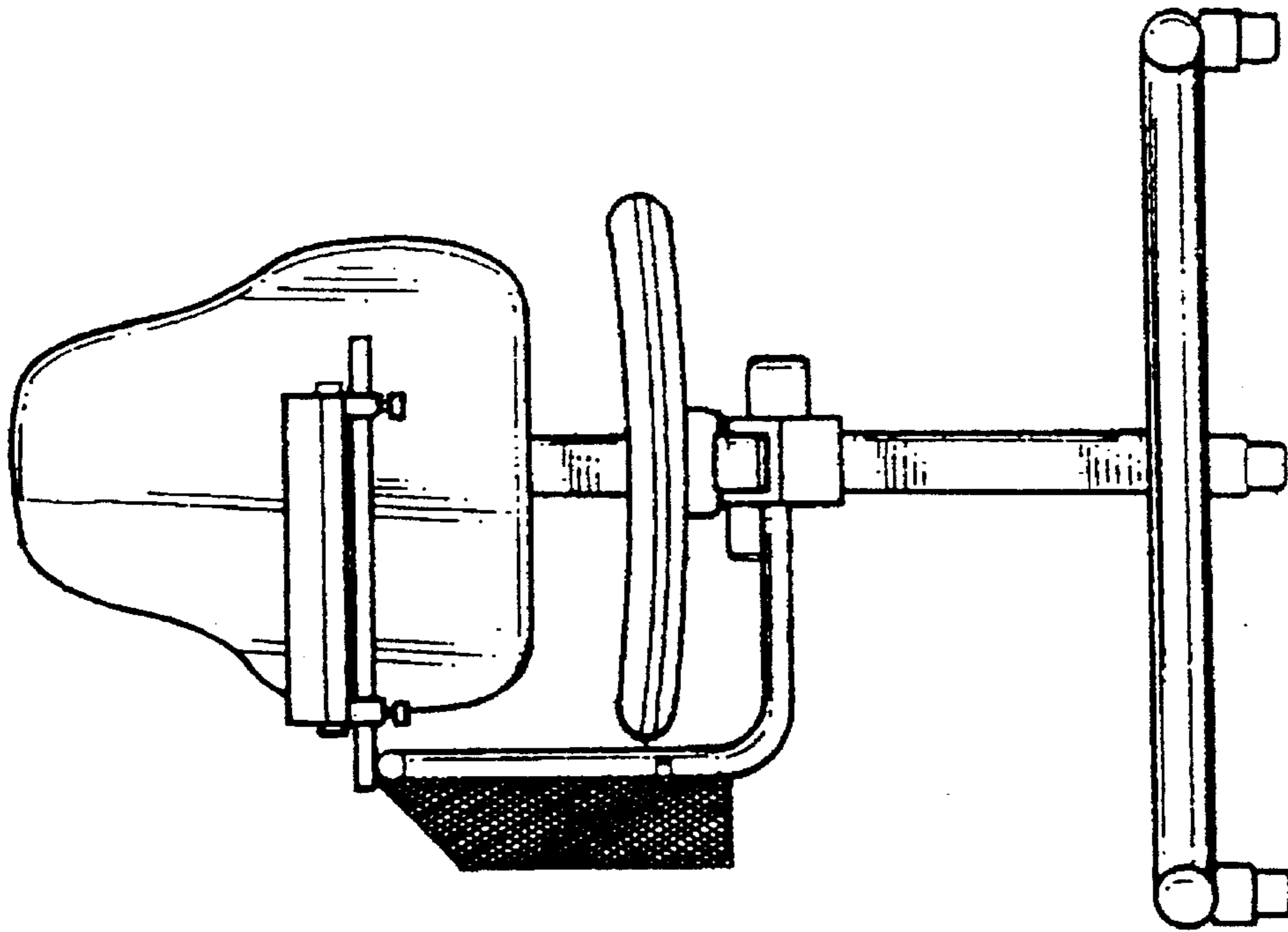


FIG 4

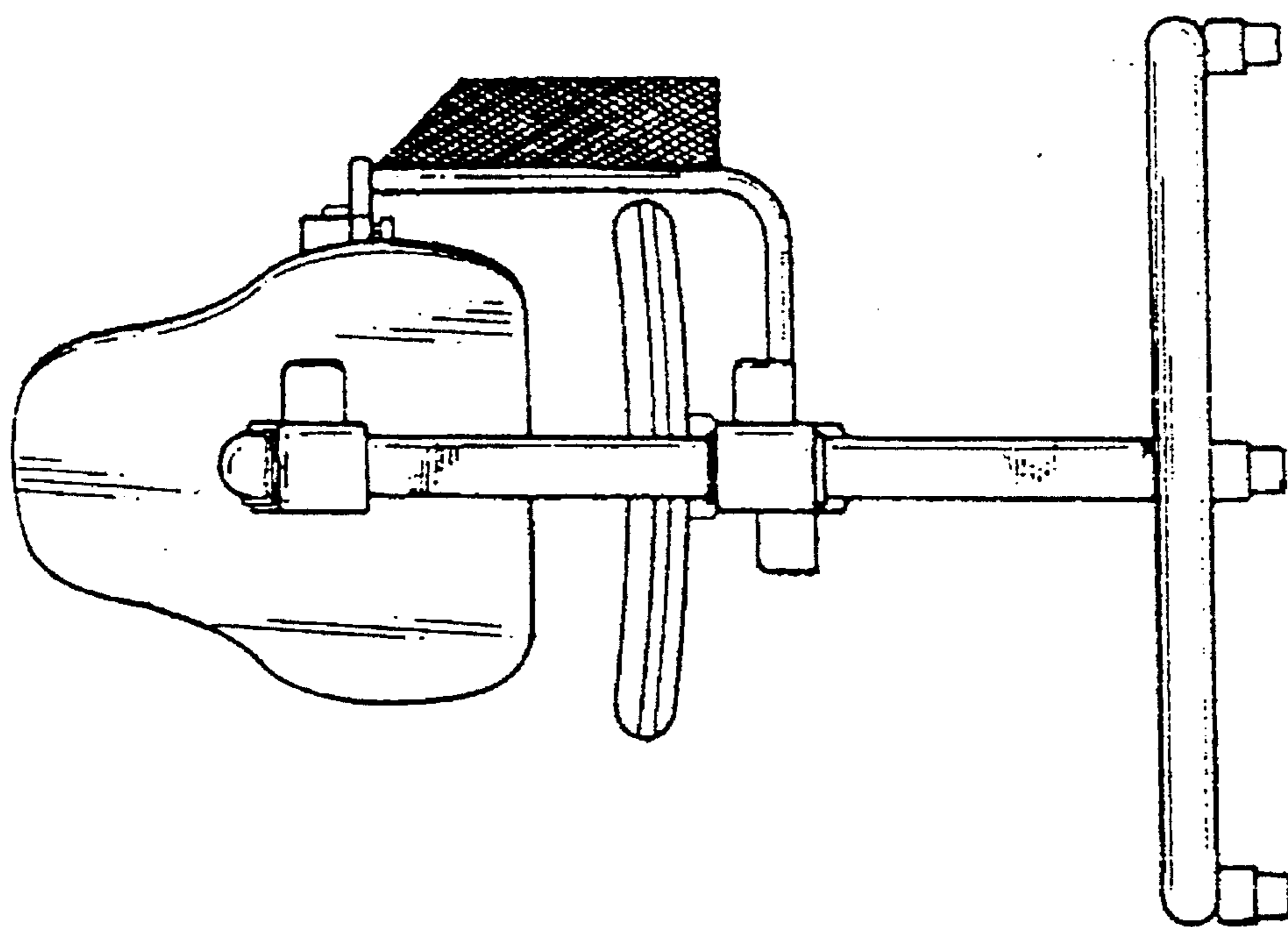


FIG 5

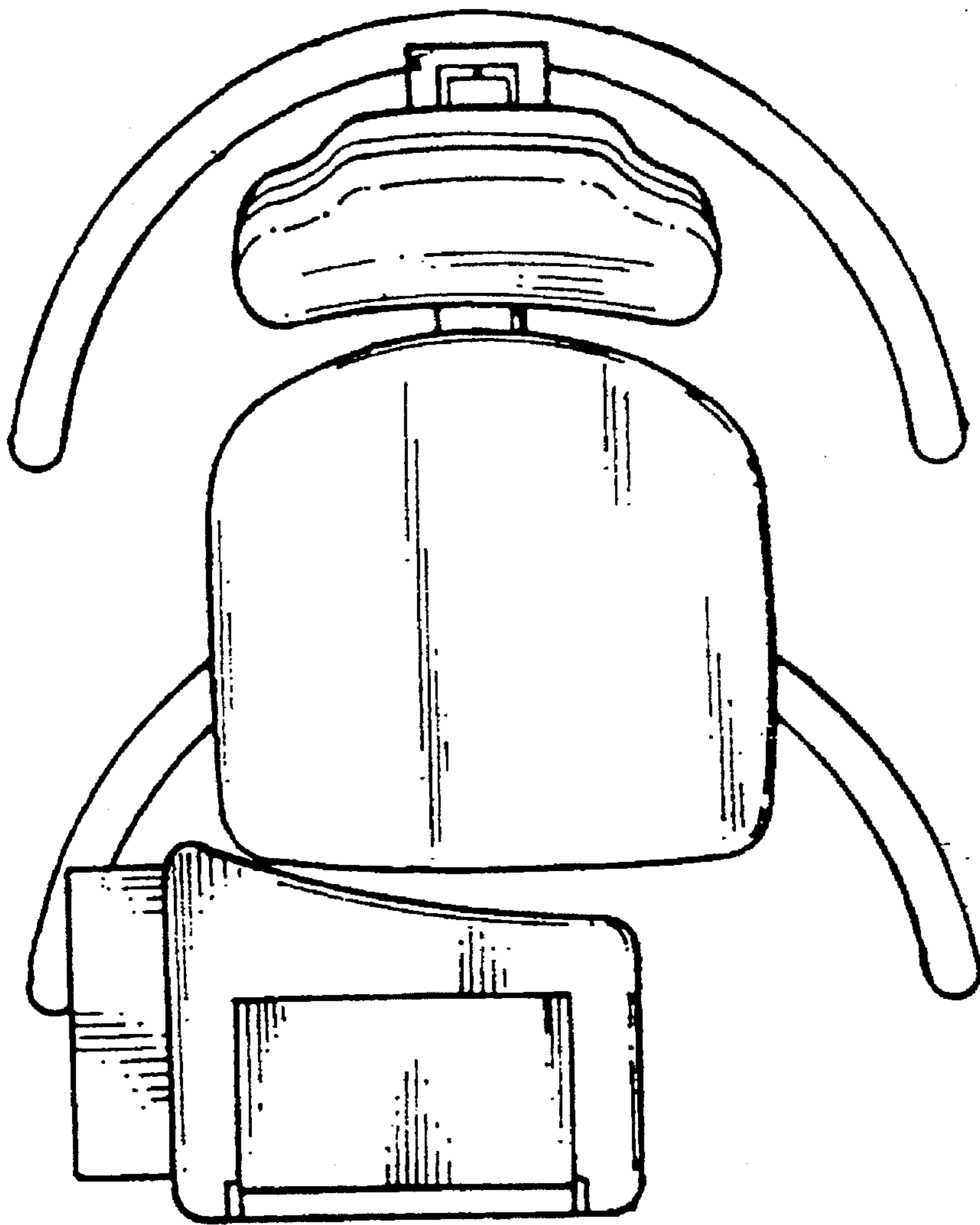


FIG 6

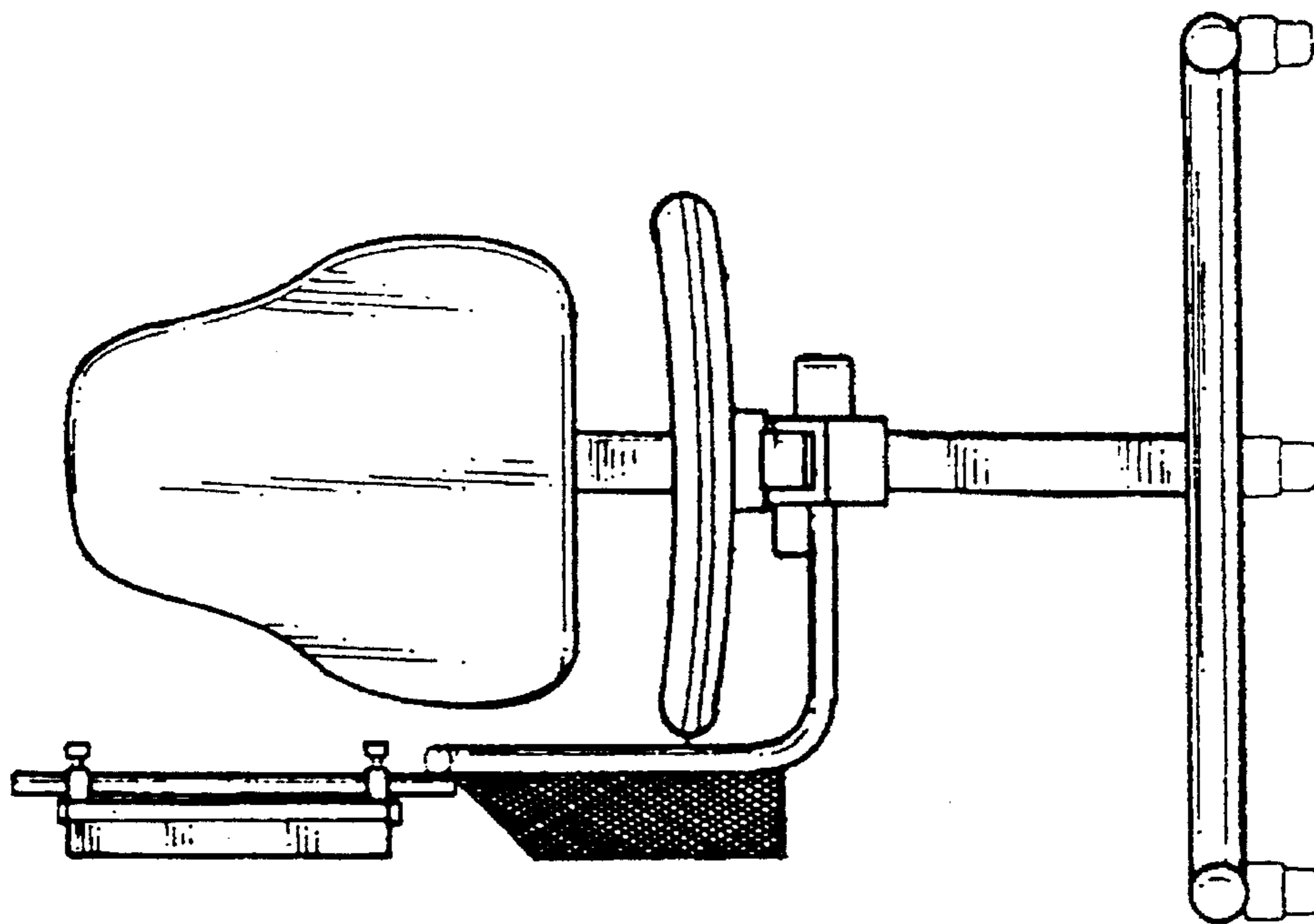


FIG 7

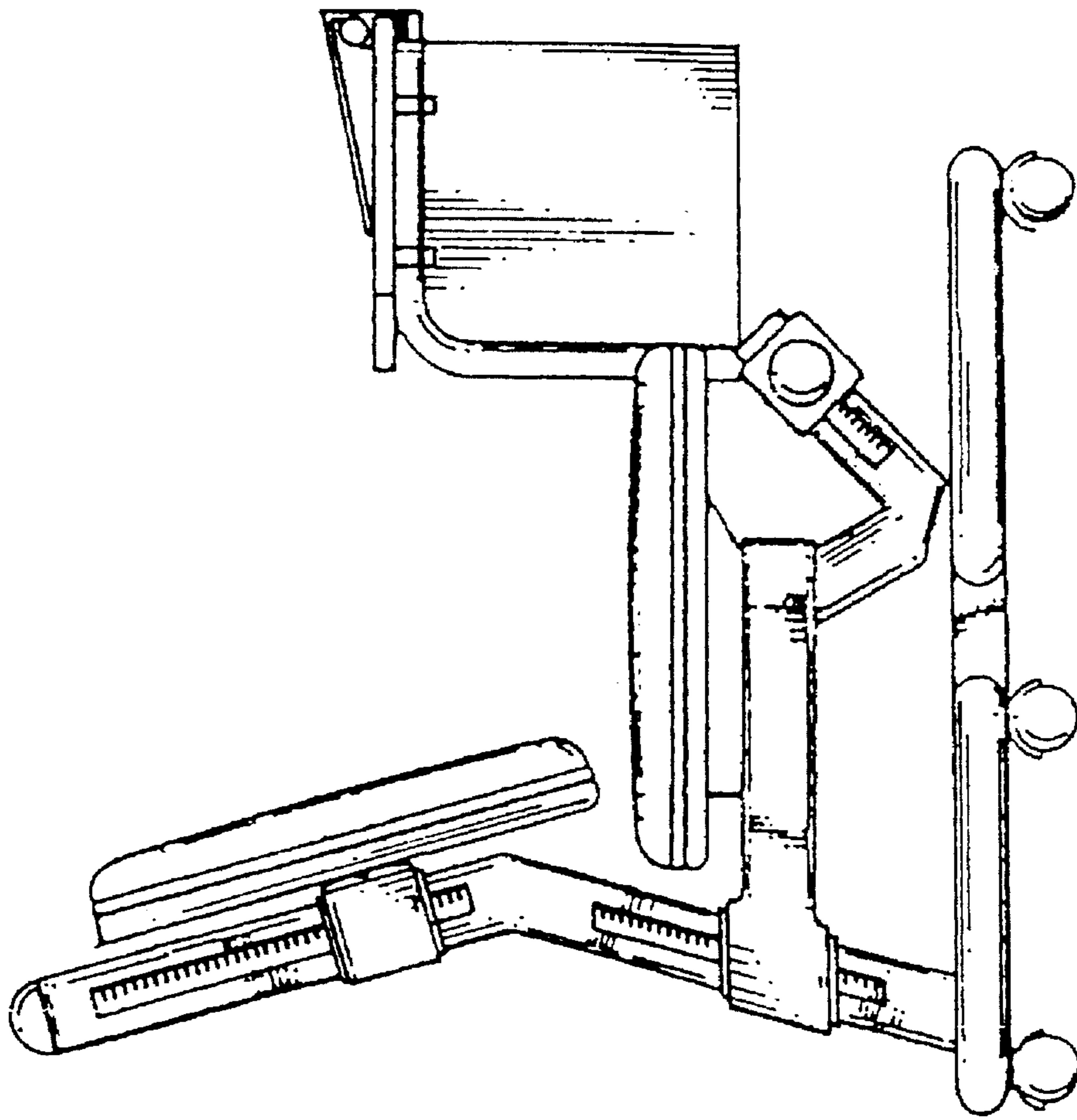


FIG 8