



US00D373029S

United States Patent [19]

[11] Patent Number: **Des. 373,029**

Mariol et al.

[45] Date of Patent: ***** Aug. 27, 1996**

[54] **ADJUSTABLE HIGH CHAIR**

3,012,815 12/1961 Smith 297/153

[75] Inventors: **John V. Mariol**, Cincinnati; **Paul K. Meeker**, Hiram, both of Ohio

OTHER PUBLICATIONS

J. C. Penney for Baby ©1992 #B at top right.
Best, p. 385 #16 at top right.
Evans 1988-1989, p. 345y-#3 at top left.

[73] Assignee: **Lisco, Inc.**, Tampa, Fla.

Primary Examiner—Janice E. Seeger

[*] Notice: The portion of the term of this patent subsequent to Aug. 29, 2009, has been disclaimed.

[57] CLAIM

[**] Term: **14 Years**

The ornamental design for an adjustable high chair, as shown and described.

[21] Appl. No.: **13,659**

DESCRIPTION

[22] Filed: **Sep. 29, 1993**

[52] U.S. Cl. **D6/339**

[58] Field of Search D6/333, 338, 339;
297/148, 150, 153, 467

FIG. 1 is a perspective view of the adjustable high chair in its lowest position showing the design of our invention; FIG. 2 is a perspective view of the adjustable high chair in its highest position thereof; FIG. 3 is a left side view thereof; FIG. 4 is a rear view thereof; FIG. 5 is a bottom view thereof; FIG. 6 is a top plan view thereof; and, FIG. 7 is a front view thereof.

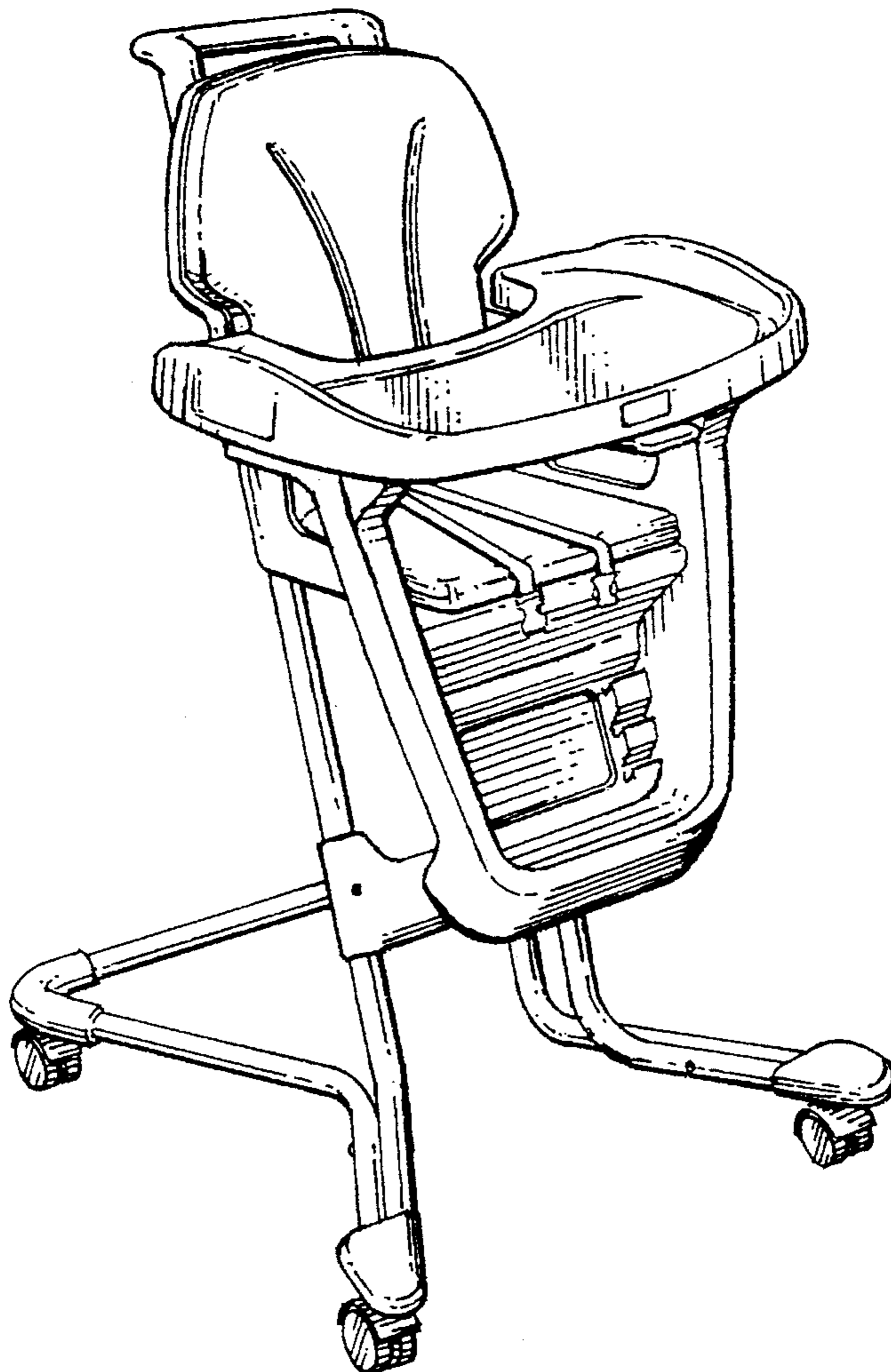
The right side view is a mirror image of the left side view.

[56] References Cited

U.S. PATENT DOCUMENTS

D. 228,587	10/1973	Blazey	D6/339
D. 337,665	7/1993	Tsuchiya	D6/339
D. 344,189	2/1994	Golenz et al.	D6/339
2,531,080	11/1950	Peterson et al.	297/153

1 Claim, 3 Drawing Sheets



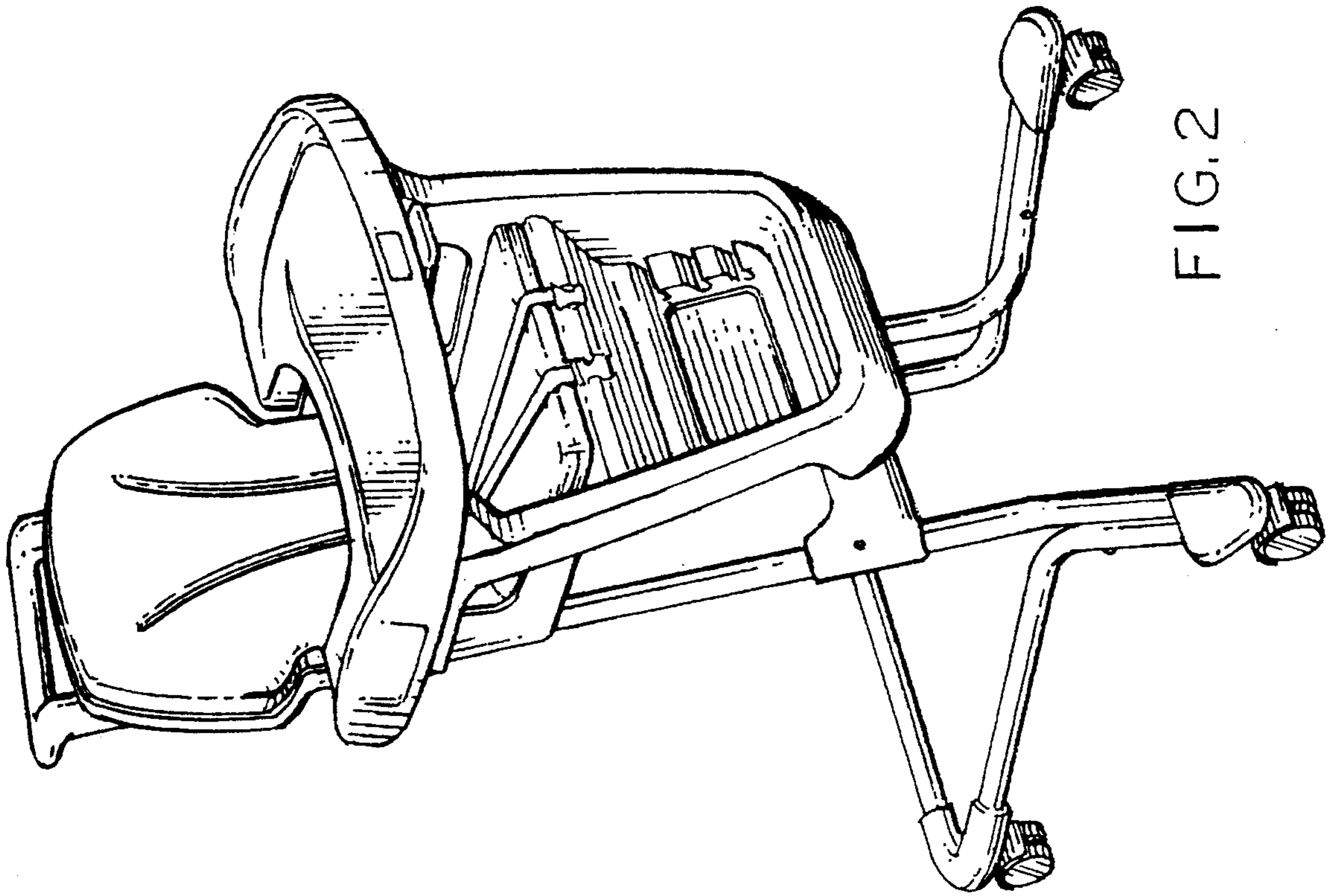


FIG. 2

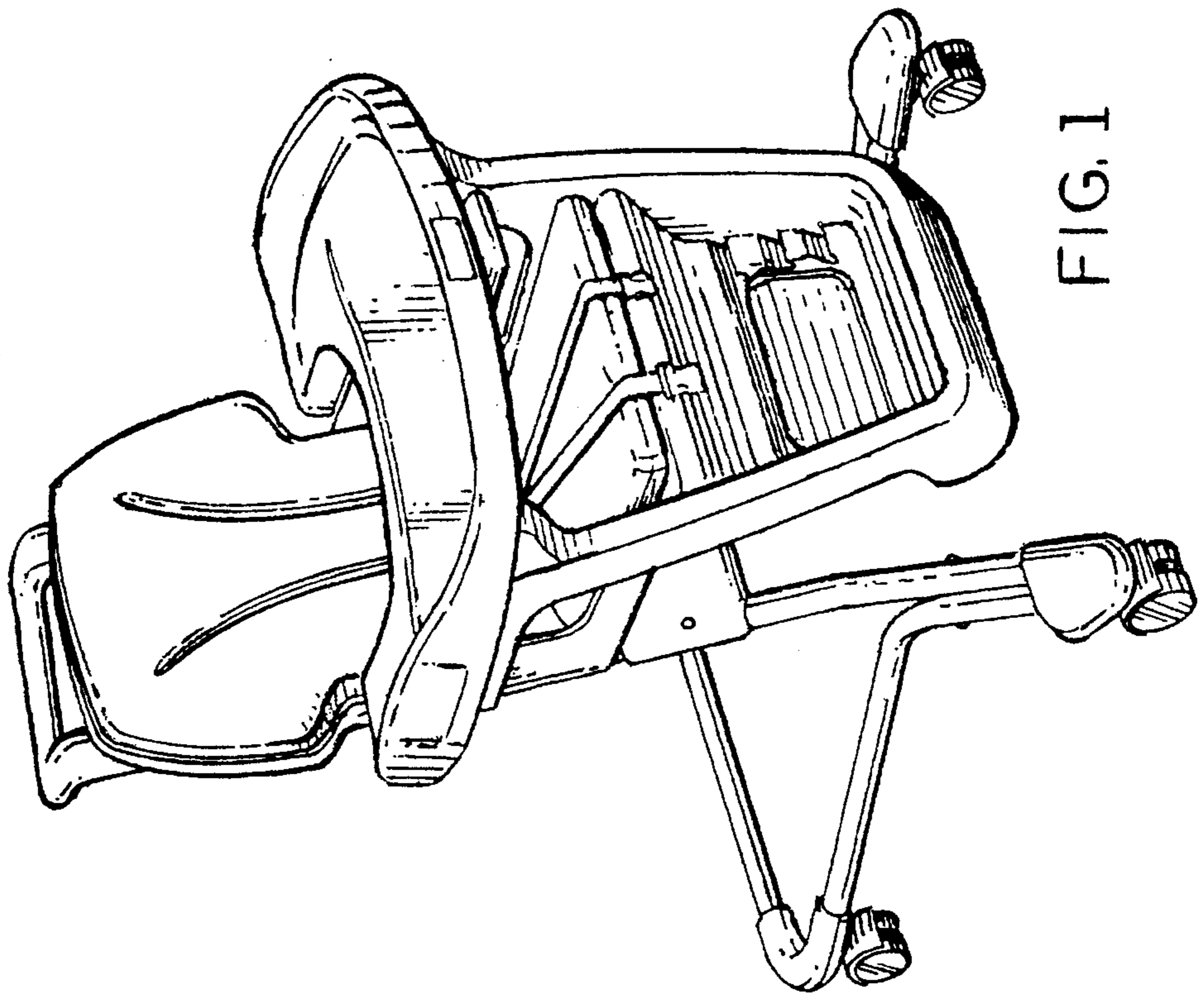


FIG. 1

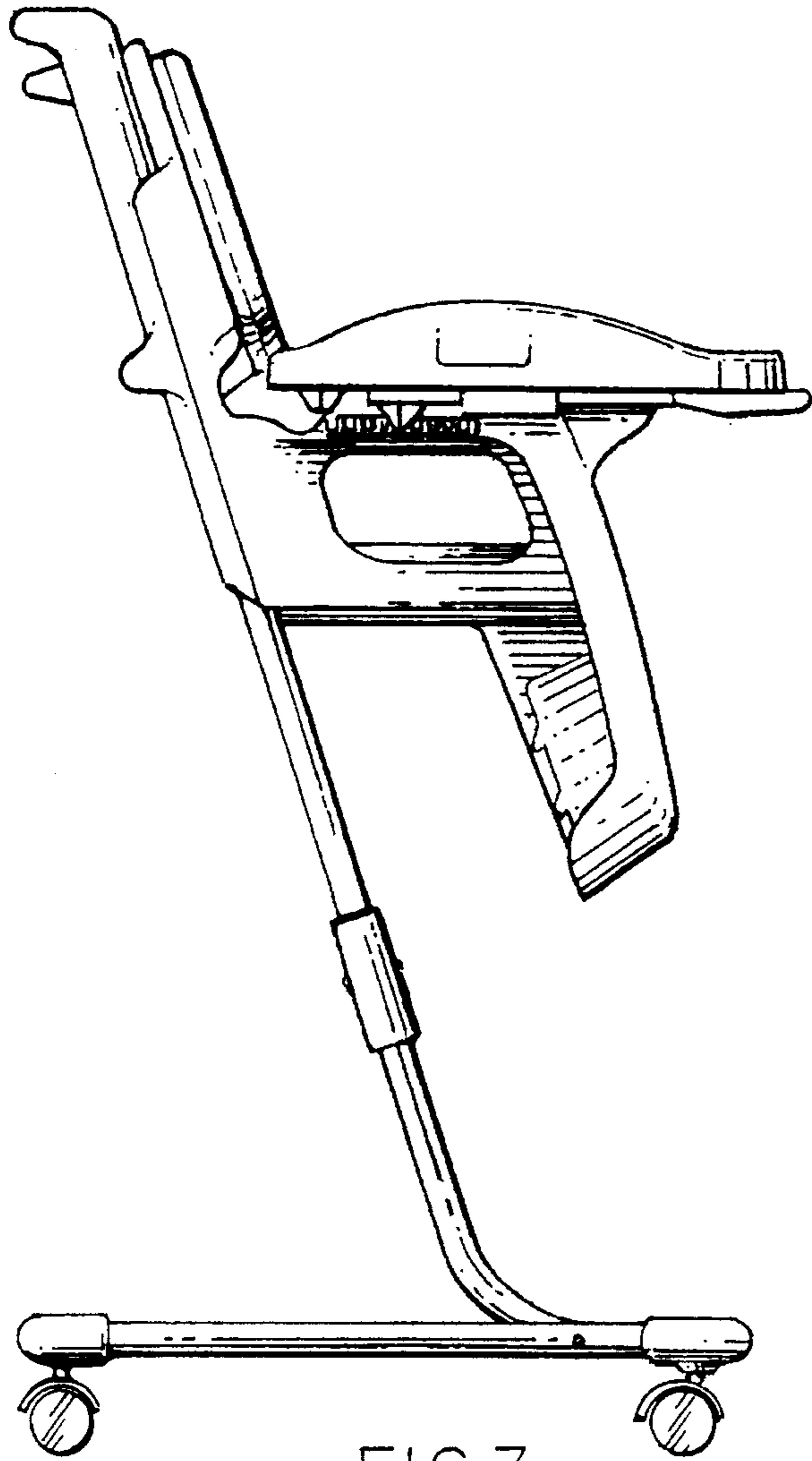


FIG. 3

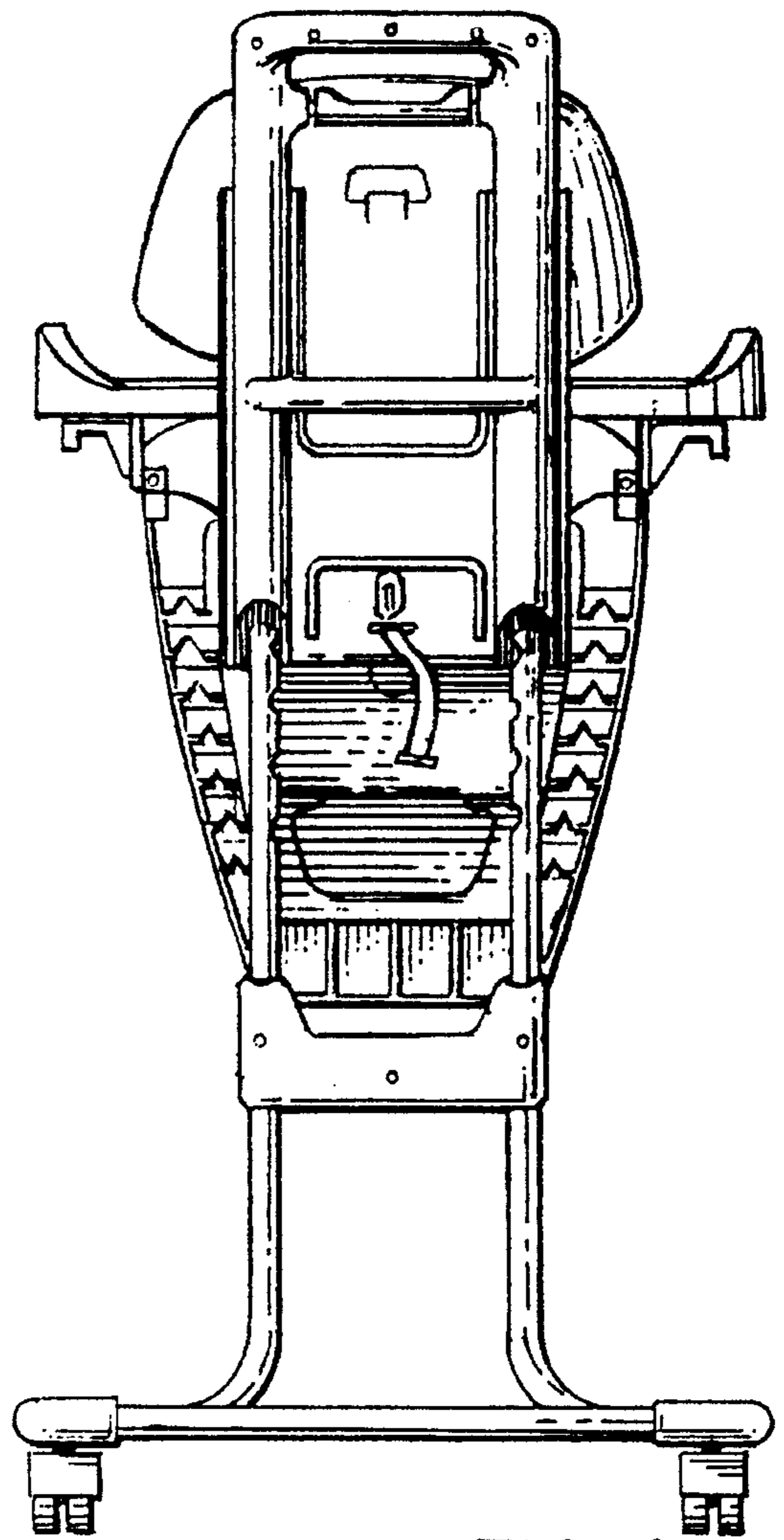


FIG. 4

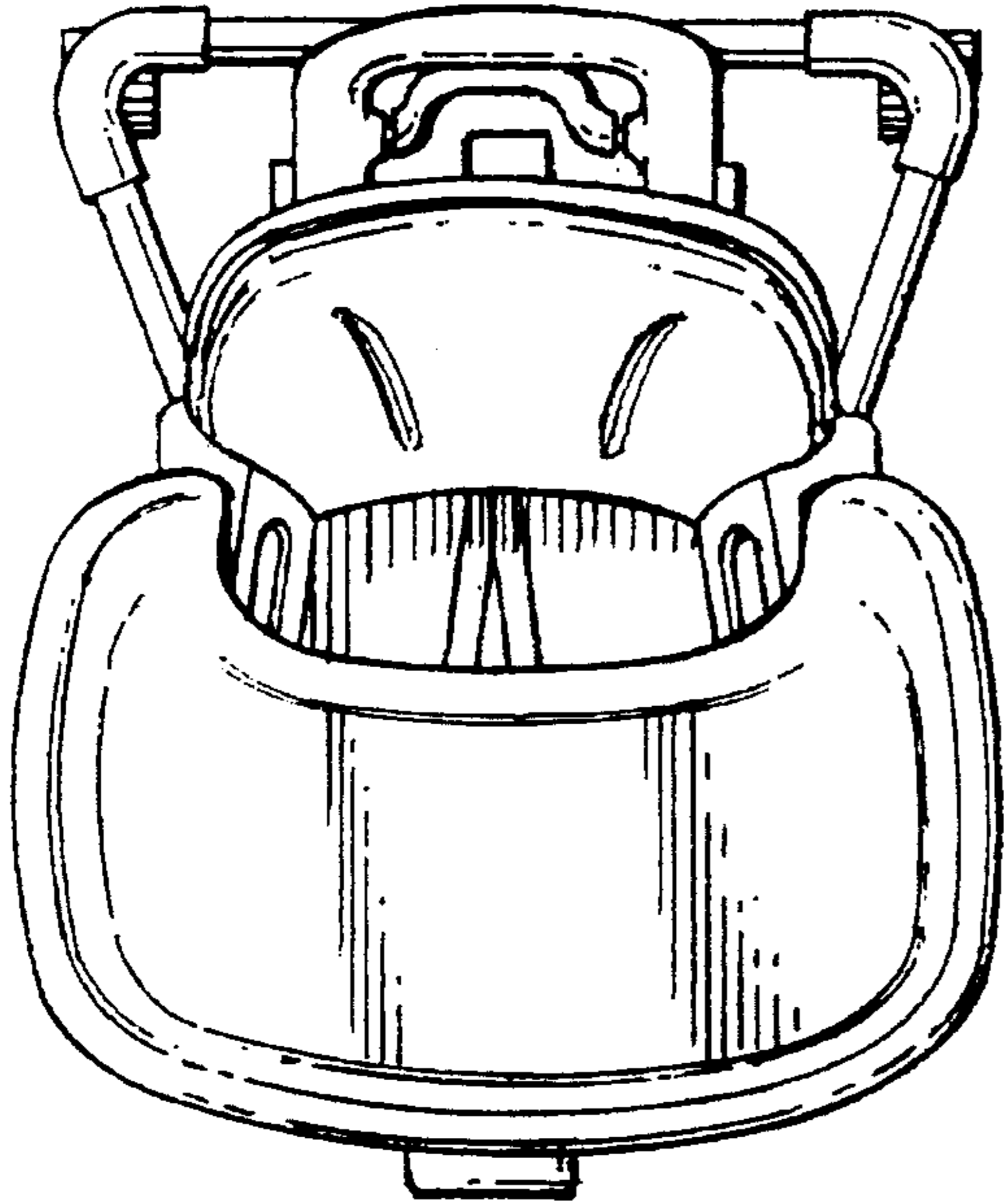


FIG. 6

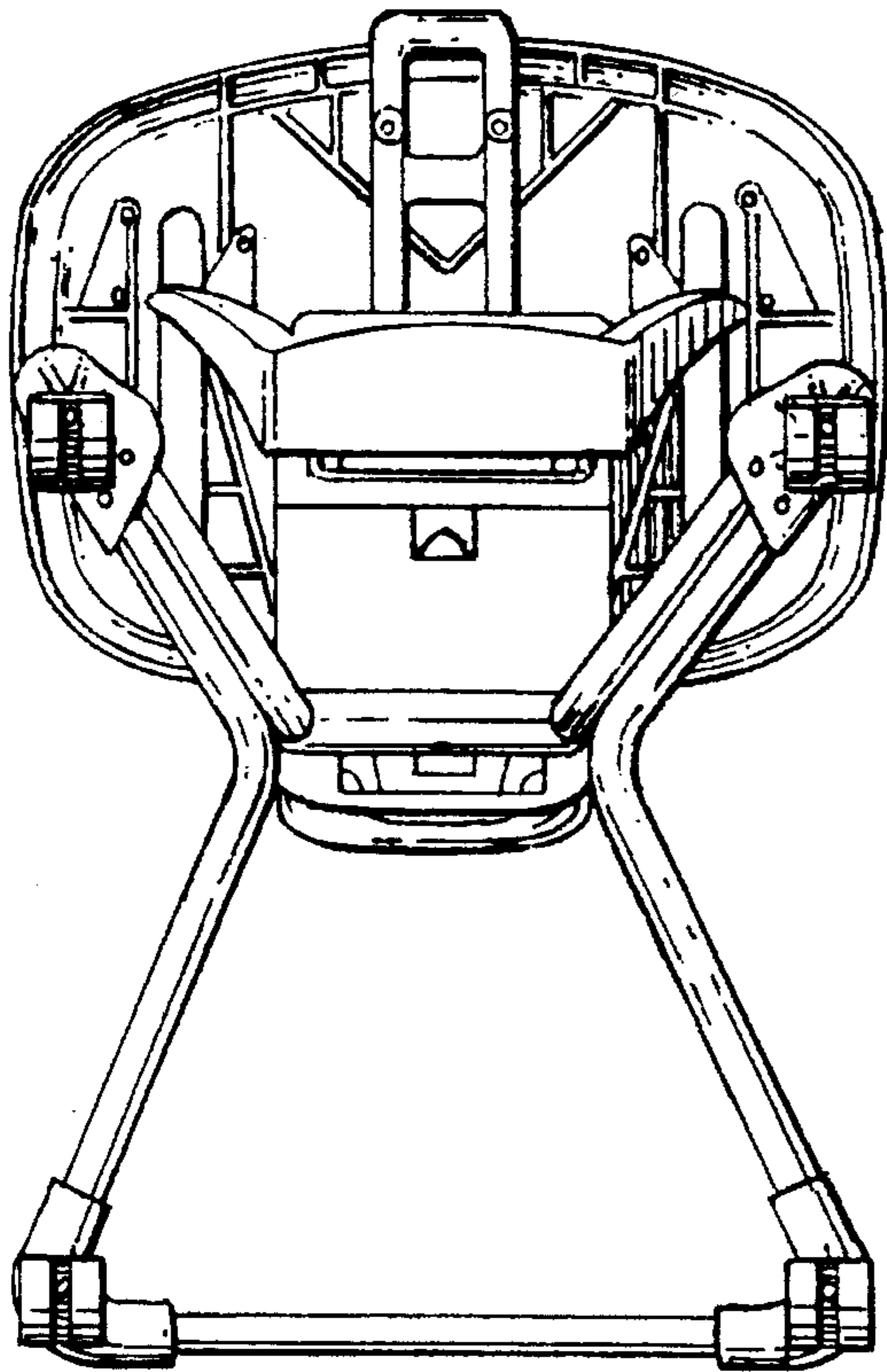


FIG. 5

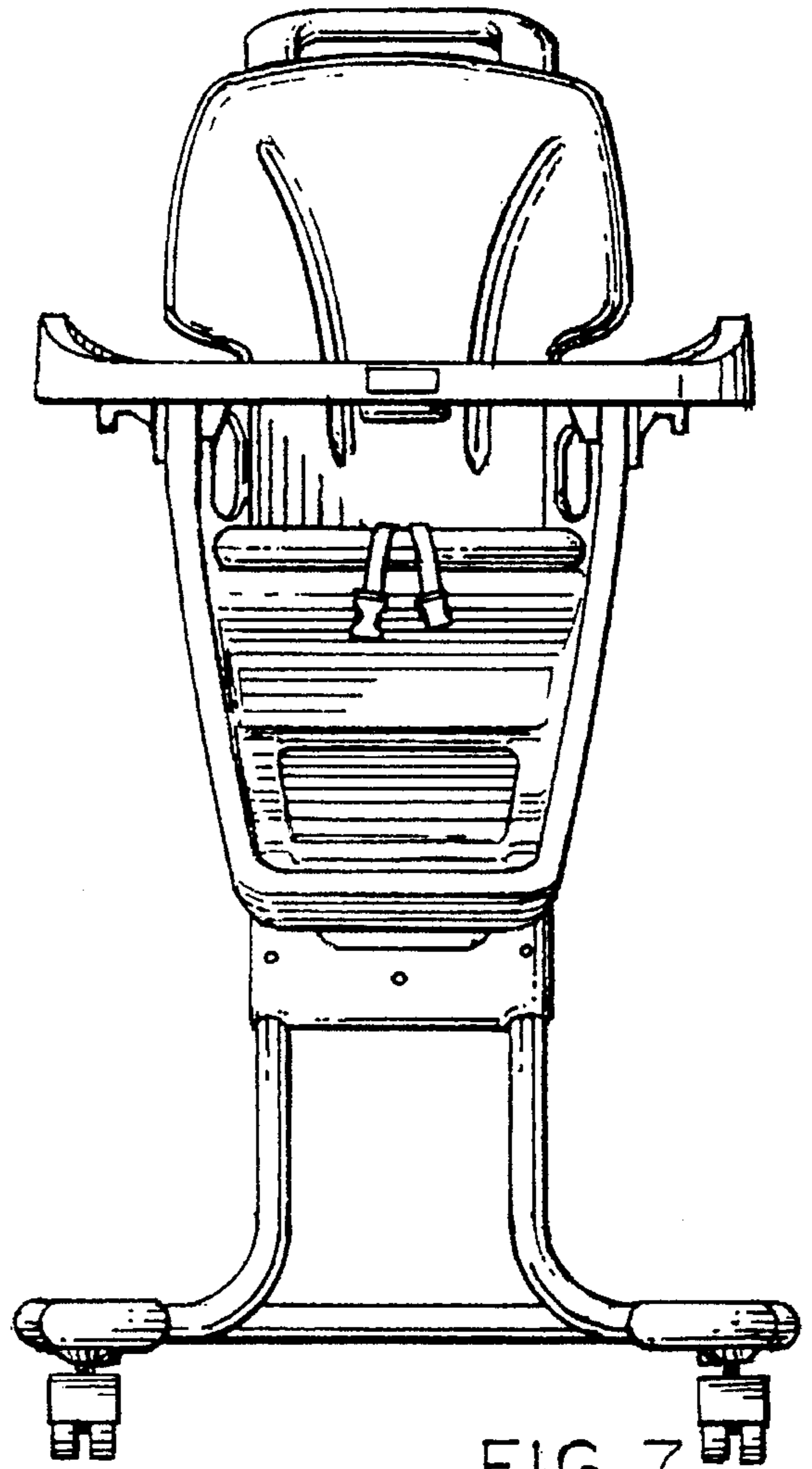


FIG. 7