



US00D373016S

United States Patent [19]

[11] **Patent Number: Des. 373,016**

Welsh

[45] **Date of Patent: **Aug. 27, 1996**

[54] **PORTABLE HOLDER FOR A BEVERAGE CONTAINER**

*Primary Examiner—Celia Murphy
Attorney, Agent, or Firm—Reed Smith Shaw & McClay*

[76] Inventor: **Barbara M. Welsh**, 205 Yale Ave.,
Pittsburgh, Pa. 15229

[57] **CLAIM**

[**] Term: **14 Years**

The ornamental design for a portable holder for a beverage container, as shown and described.

[21] Appl. No.: **31,633**

DESCRIPTION

[22] Filed: **Dec. 1, 1994**

[52] U.S. Cl. **D3/202; D3/229**

[58] **Field of Search** D3/202, 214, 215,
D3/216, 217, 218, 316, 317, 229, 327,
261; D7/607; D9/455; D32/54; 224/153,
156, 908, 312; 294/147; 383/24, 80, 110

FIG. 1 is a front elevational view of a portable holder for a beverage container showing my new design in the condition of use, the broken lines partially showing a beverage container in FIGS. 1 through 6 being for illustrative purposes only and forming no part of the claimed design;

FIG. 2 is a front elevational view thereof shown in an open position;

FIG. 3 is a rear elevational view of FIG. 1;

FIG. 4 is a rear elevational view of FIG. 2;

FIG. 5 is a right side elevational view of FIG. 1, the left side being a mirror image;

FIG. 6 is a right side elevational view of FIG. 2;

FIG. 7 is a top plan view of FIG. 1;

FIG. 8 is a top plan view of FIG. 2; and,

FIG. 9 is a bottom plan view of FIG. 1.

The broken lines shown on the claimed article throughout the views are understood to represent conventional stitching.

[56] **References Cited**

U.S. PATENT DOCUMENTS

D. 279,629	7/1985	Rich	D3/202
D. 329,750	9/1992	Gilmore et al.	D3/218
D. 344,413	2/1994	Bedrosian et al.	D3/202
D. 347,365	5/1994	McKay	D3/202
D. 357,845	5/1995	Herszenberg	D7/607
1,228,258	5/1917	Sullivan	383/80
2,464,069	3/1949	Benson	383/121.1
2,731,182	1/1956	Higgins	383/110

1 Claim, 8 Drawing Sheets

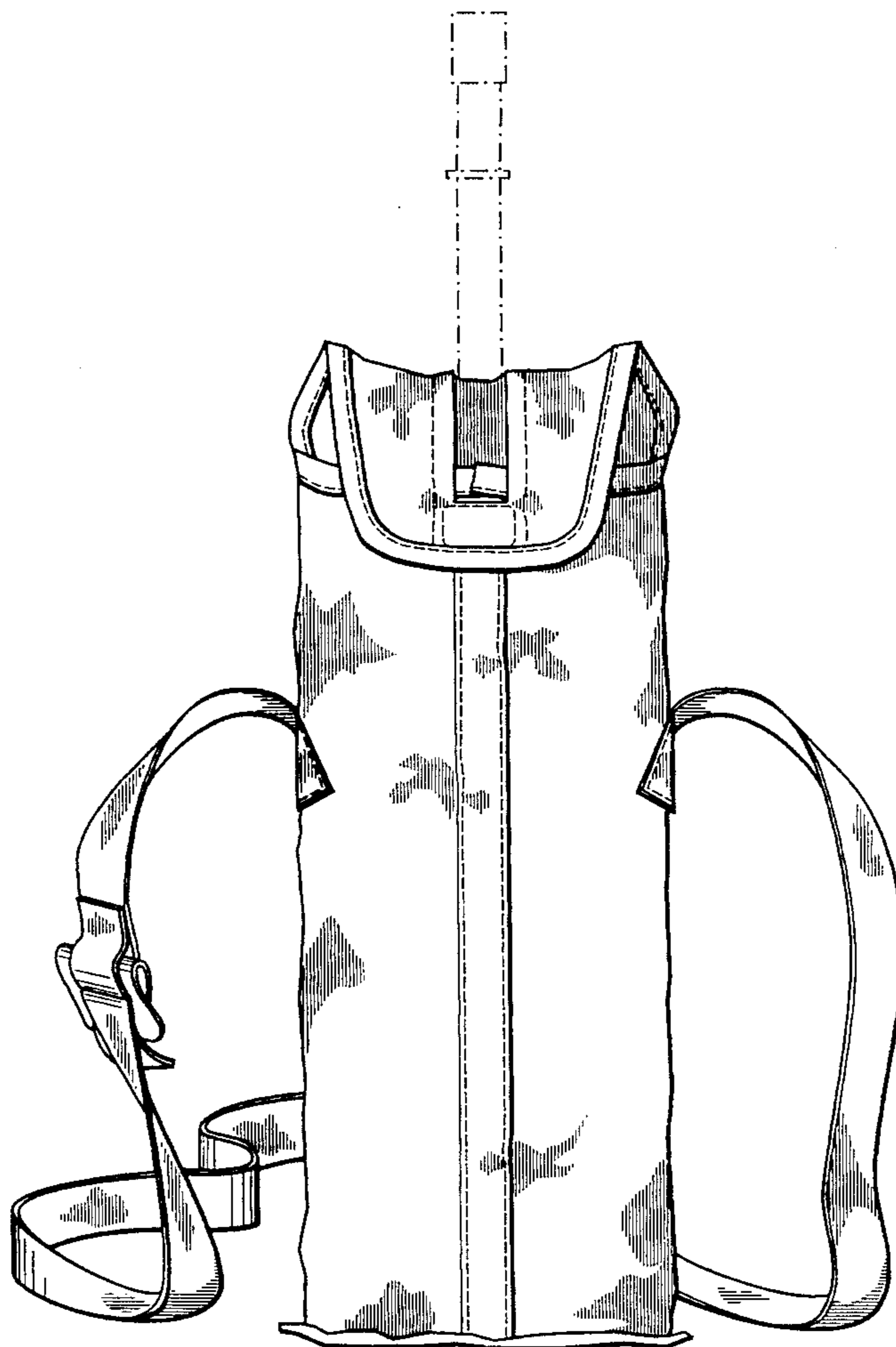
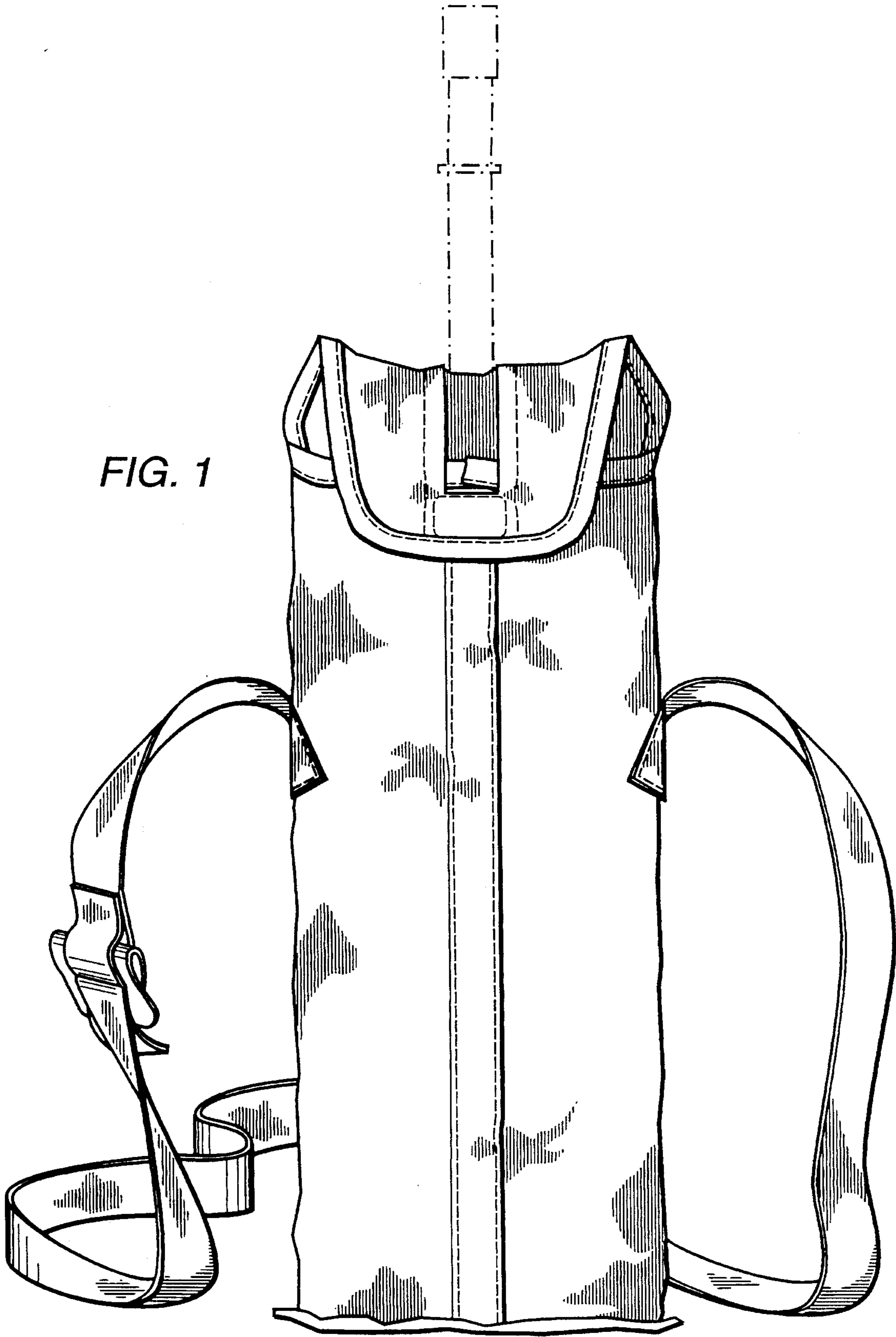


FIG. 1



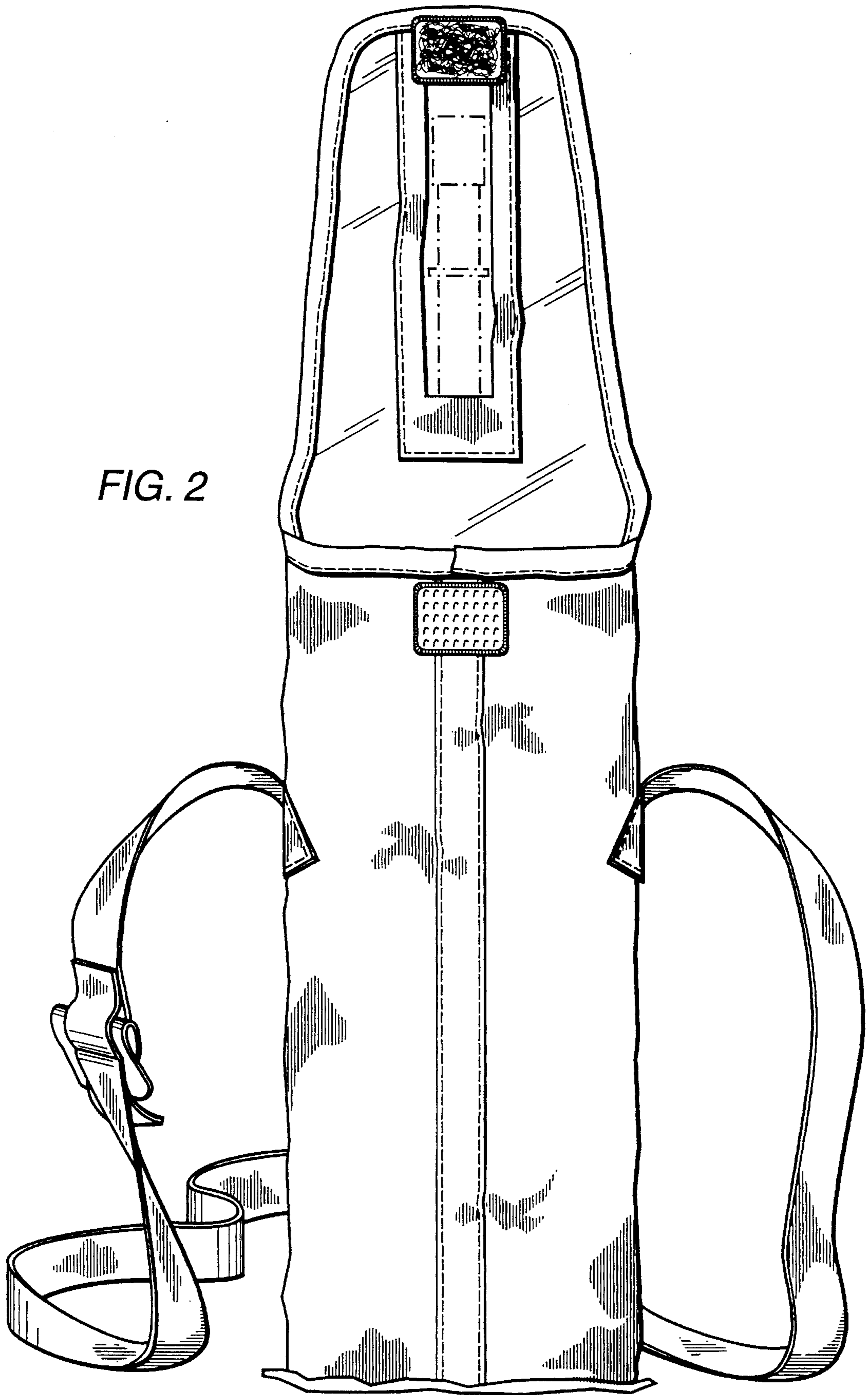
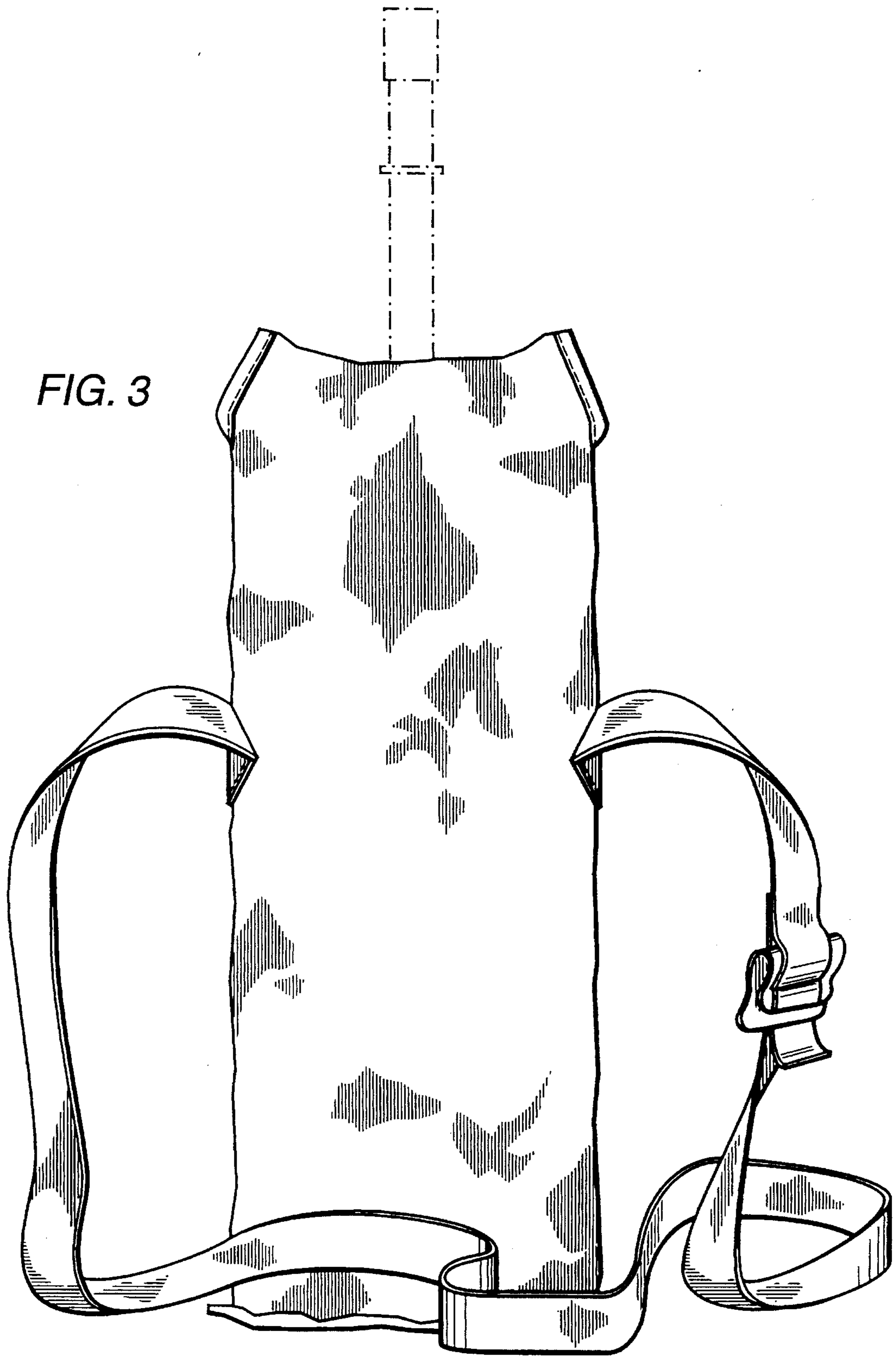


FIG. 2

FIG. 3



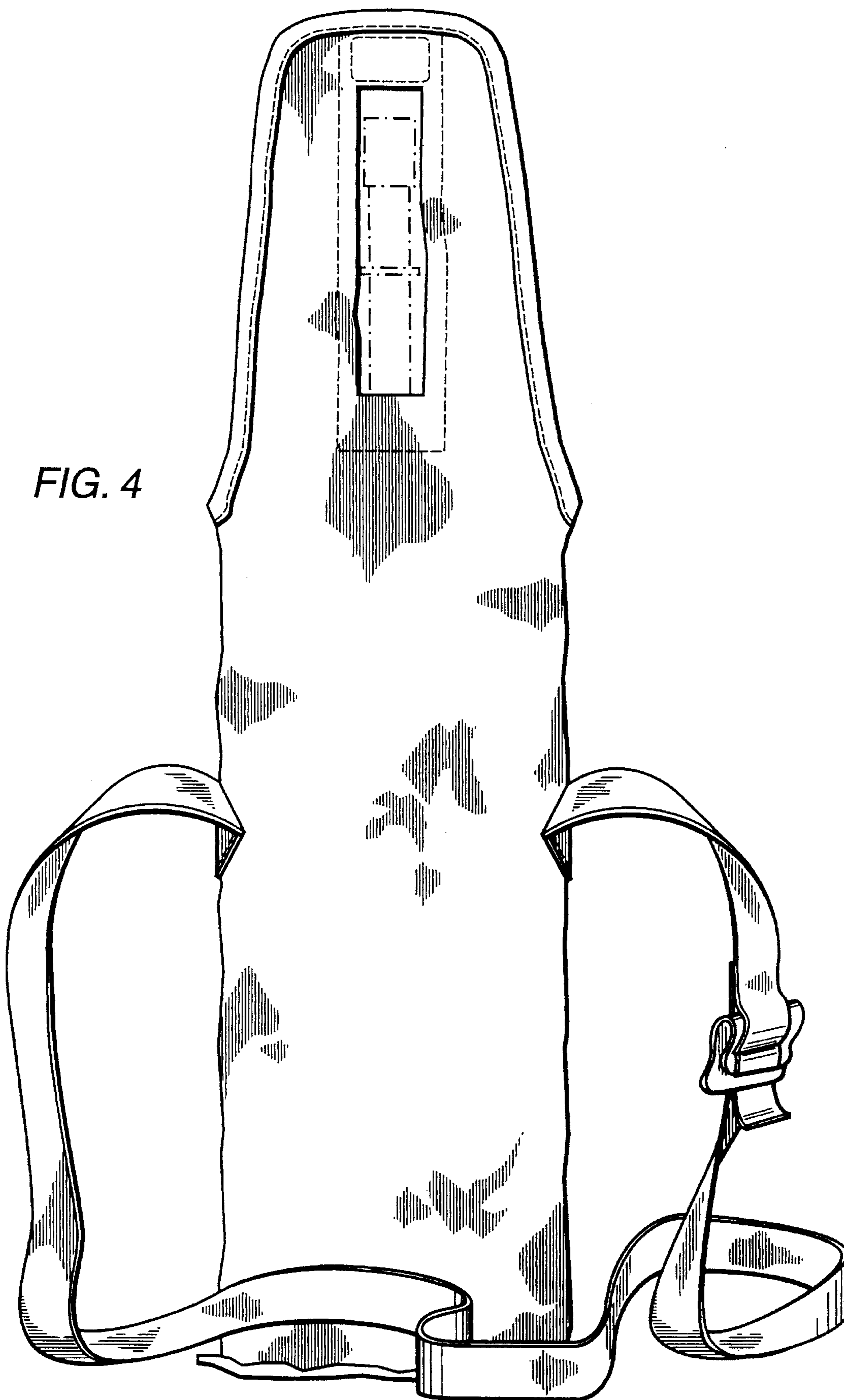


FIG. 4

FIG. 5

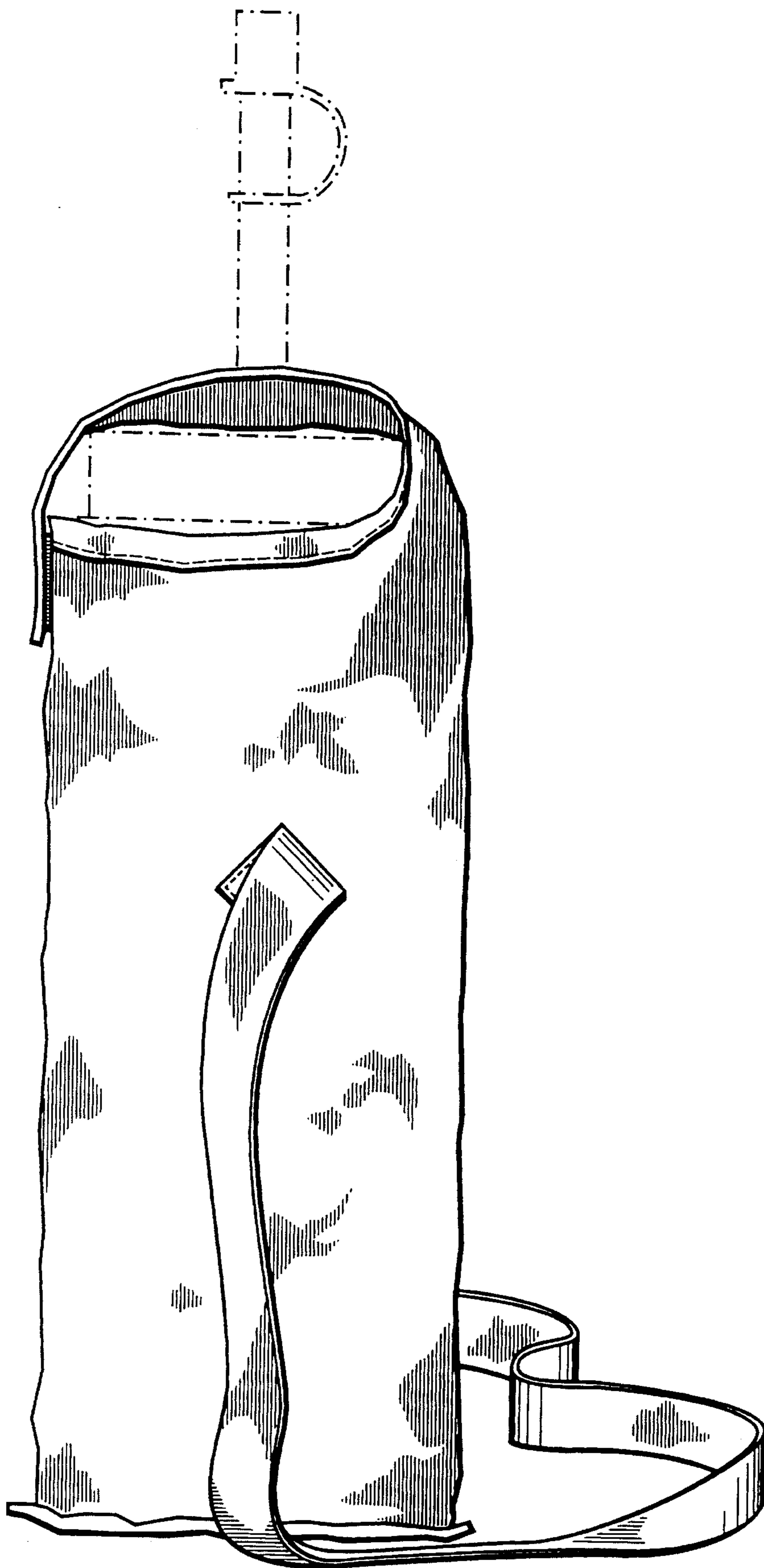
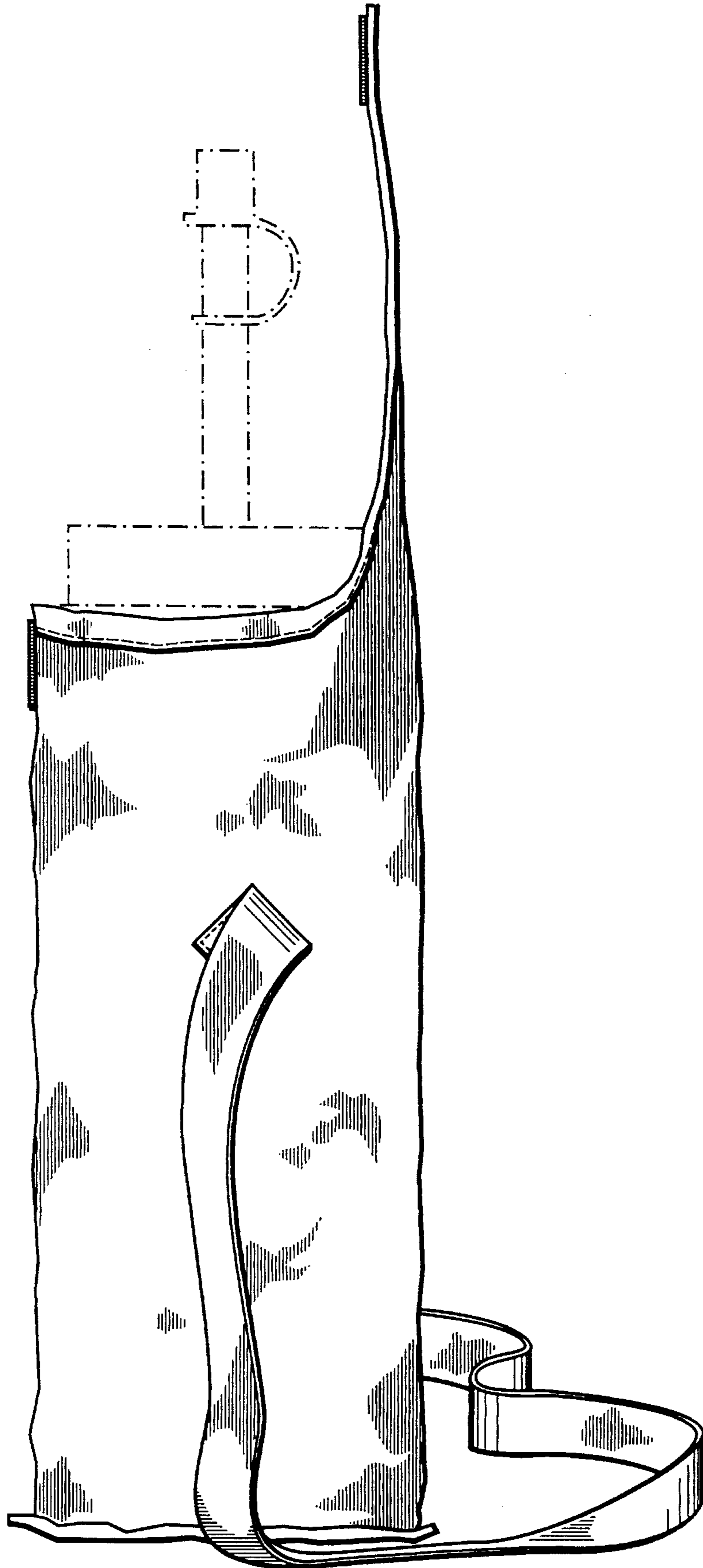


FIG. 6



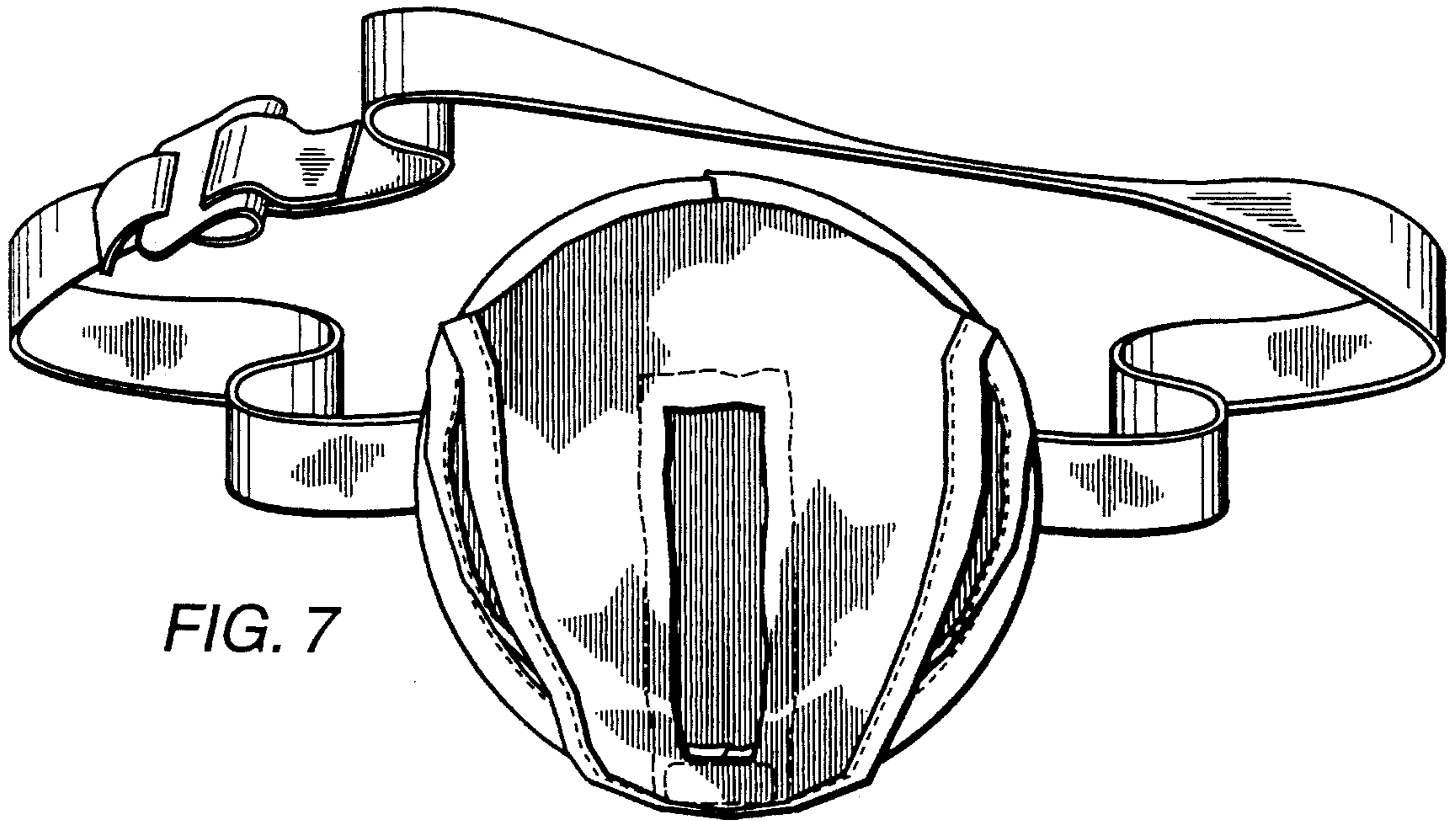


FIG. 7

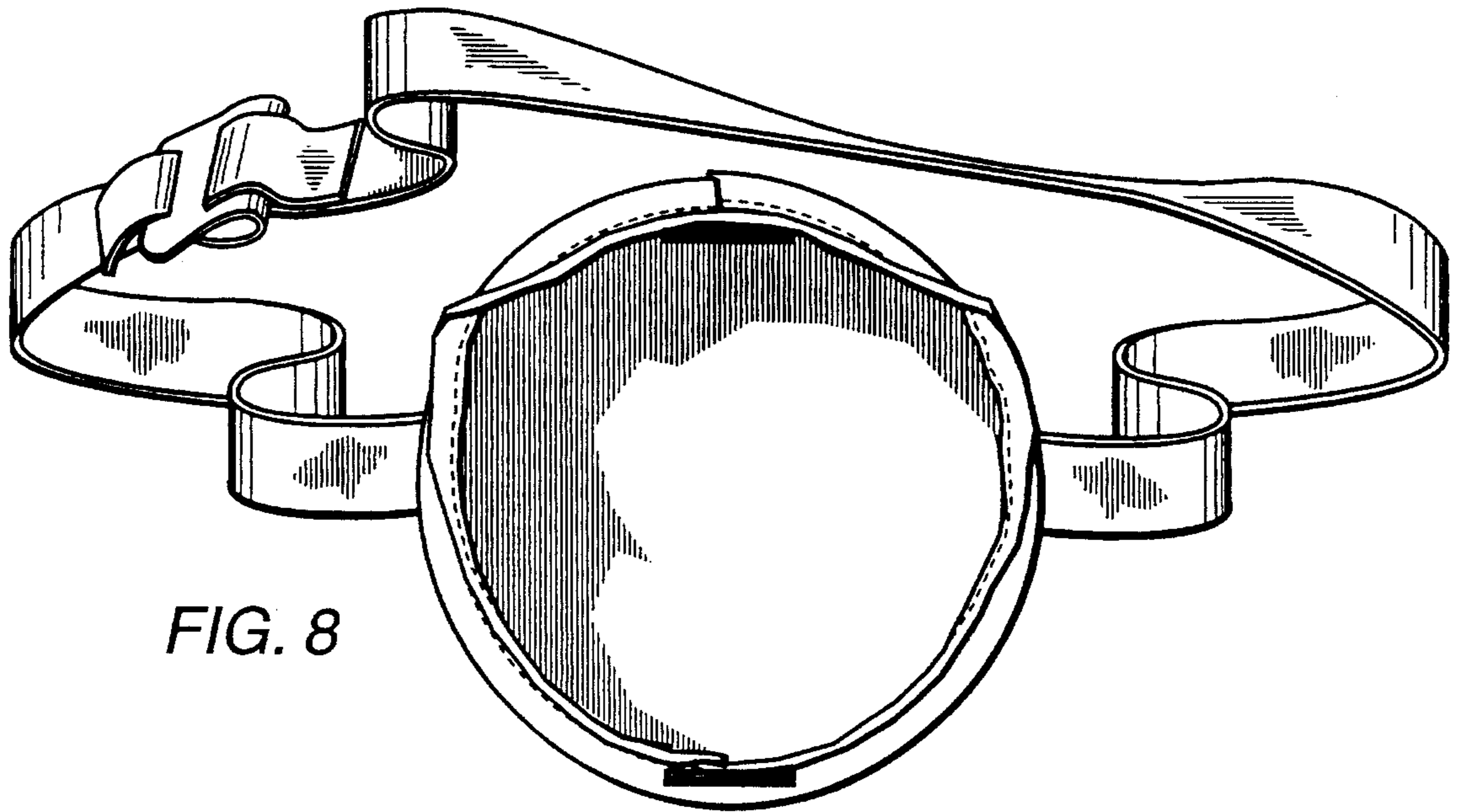


FIG. 8

FIG. 9

