



US00D373011S

United States Patent [19] Rippel

[11] **Patent Number:** **Des. 373,011**
[45] **Date of Patent:** ****Aug. 27, 1996**

[54] **BELT**

4,706,992 11/1987 Downing et al. 297/468 X

[76] **Inventor:** **Thomas E. Rippel**, Unterburger Str. 12,
90482 Nürnberg, Germany

FOREIGN PATENT DOCUMENTS

0371886 6/1990 WIPO 2/338

[**] **Term:** **14 Years**

Primary Examiner—Ted Shooman
Assistant Examiner—Paula Mortimer
Attorney, Agent, or Firm—Browdy and Neimark

[21] **Appl. No.:** **31,594**

[22] **Filed:** **Nov. 28, 1994**

[57] CLAIM

[30] Foreign Application Priority Data

The ornamental design for belt, as shown and described.

May 27, 1994 [DE] Germany M 94 04 226.8

DESCRIPTION

[52] **U.S. Cl.** **D2/627; D2/624**

[58] **Field of Search** D2/624, 627, 628,
D2/629, 630, 639, 627; 297/482, 485, 468;
2/308, 338; D29/100, 101; D11/200, 201,
213, 216, 220

FIG. 1 is an exploded front perspective view of a belt showing my new design the rear portions of the belt are plane and unornamented;

FIG. 2 is an enlarged exploded fragmentary side perspective view of the connecting elements;

FIG. 3 is an enlarged fragmentary side perspective view thereof in a closed position;

FIG. 4 is a fragmentary front elevational view thereof;

FIG. 5 is a fragmentary rear view thereof;

FIG. 6 is a fragmentary top plan view thereof; and,

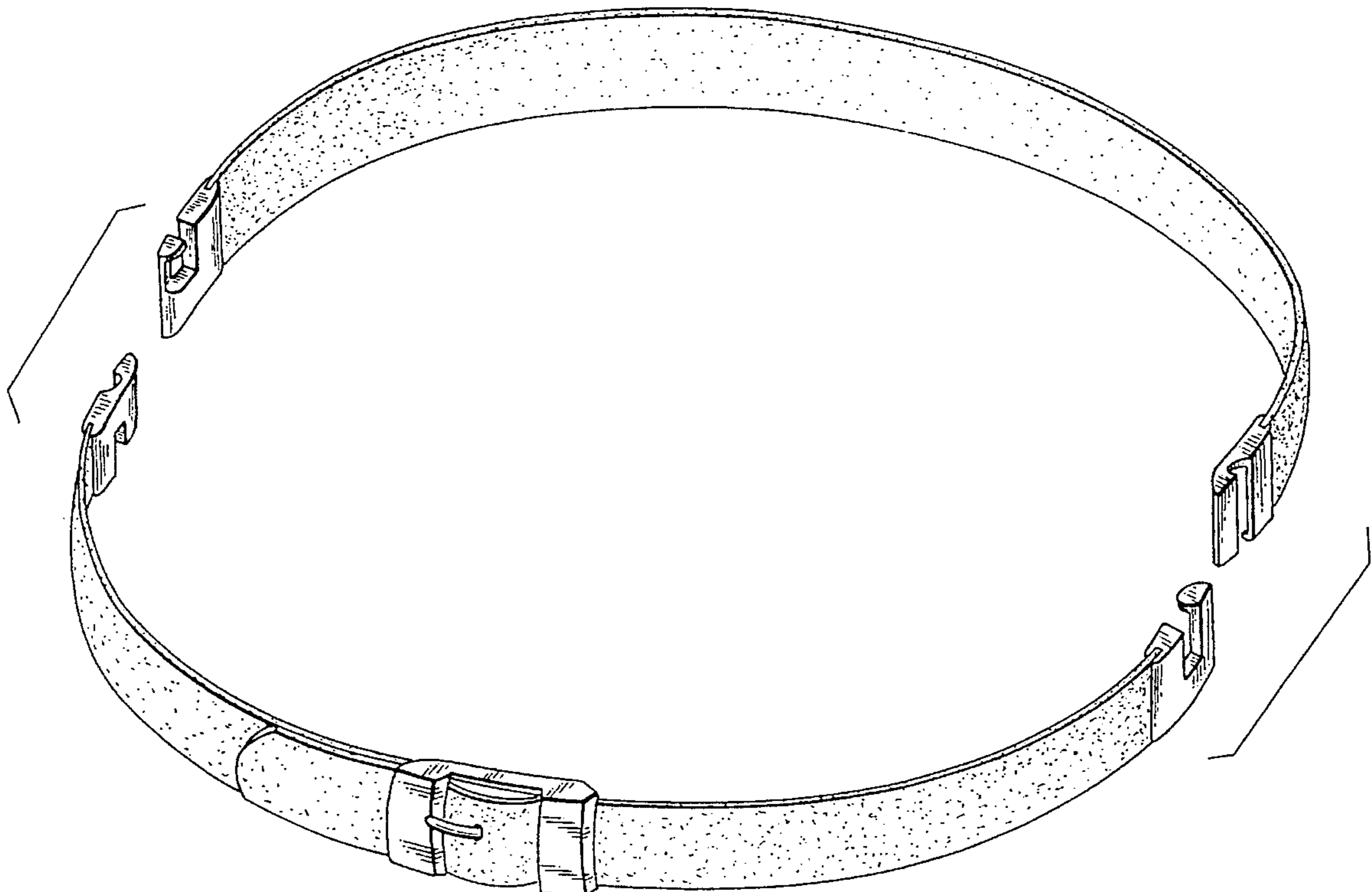
FIG. 7 is a fragmentary bottom plan view thereof.

[56] References Cited

U.S. PATENT DOCUMENTS

723,271 3/1903 Hauiland D2/627 X
1,481,778 1/1924 Salomons D2/875 X
1,828,196 10/1931 McCann D2/627 X
2,814,336 11/1957 Manhart et al. 297/468
3,840,903 10/1974 Mack et al. 2/338
3,950,826 4/1976 Knoll et al. 297/468 X

1 Claim, 3 Drawing Sheets



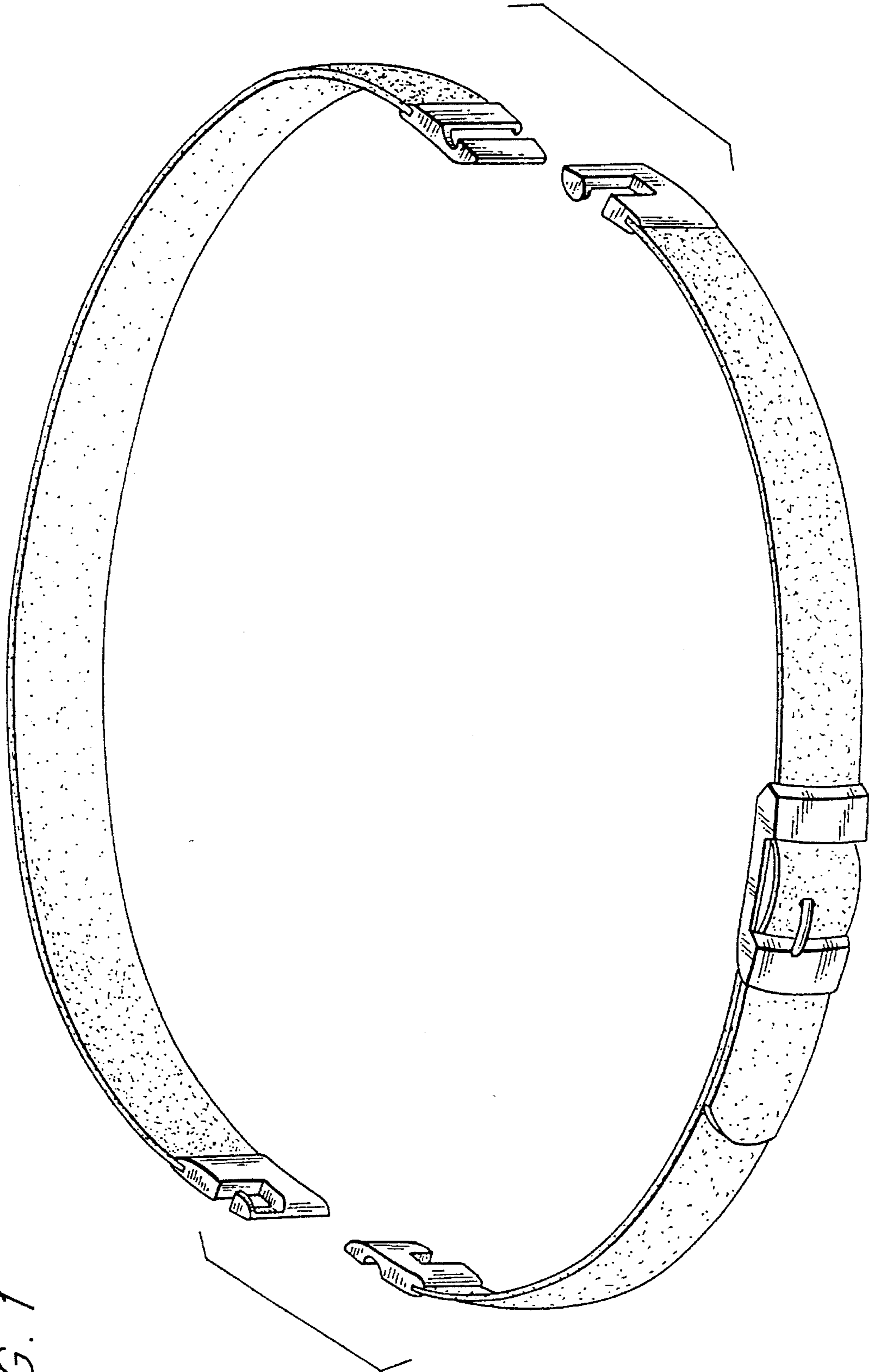


FIG. 1

FIG. 2

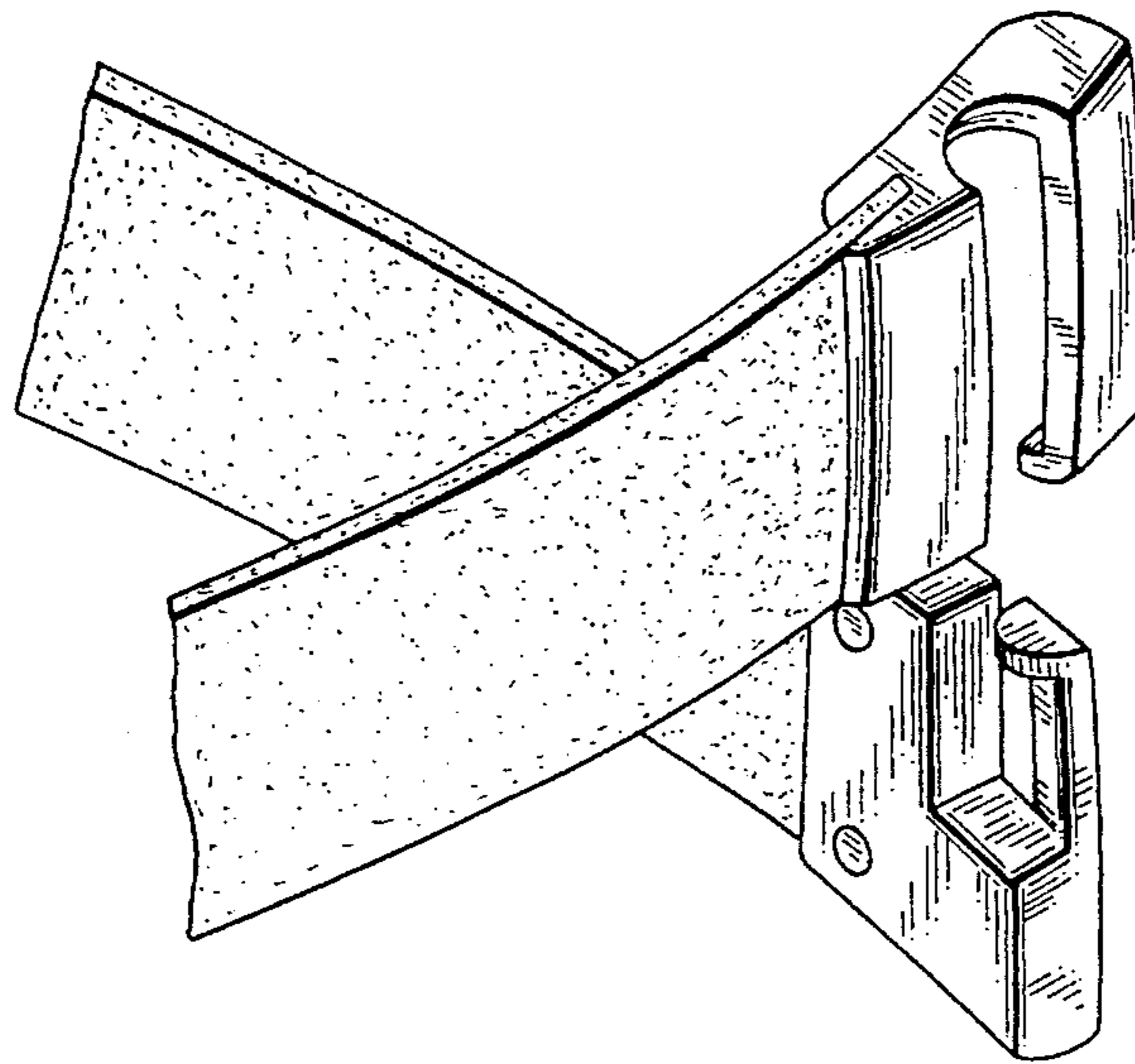


FIG. 3

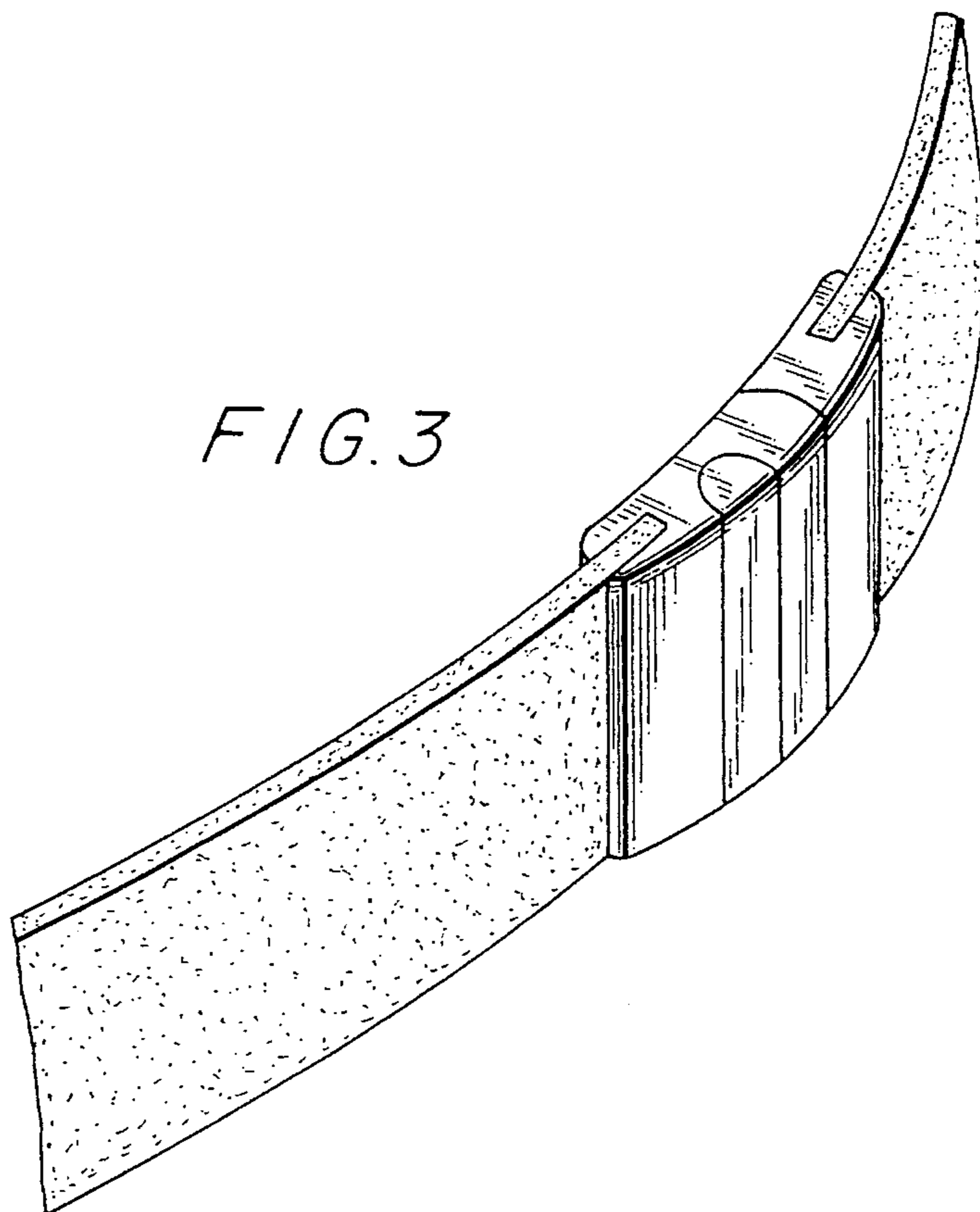


FIG. 4

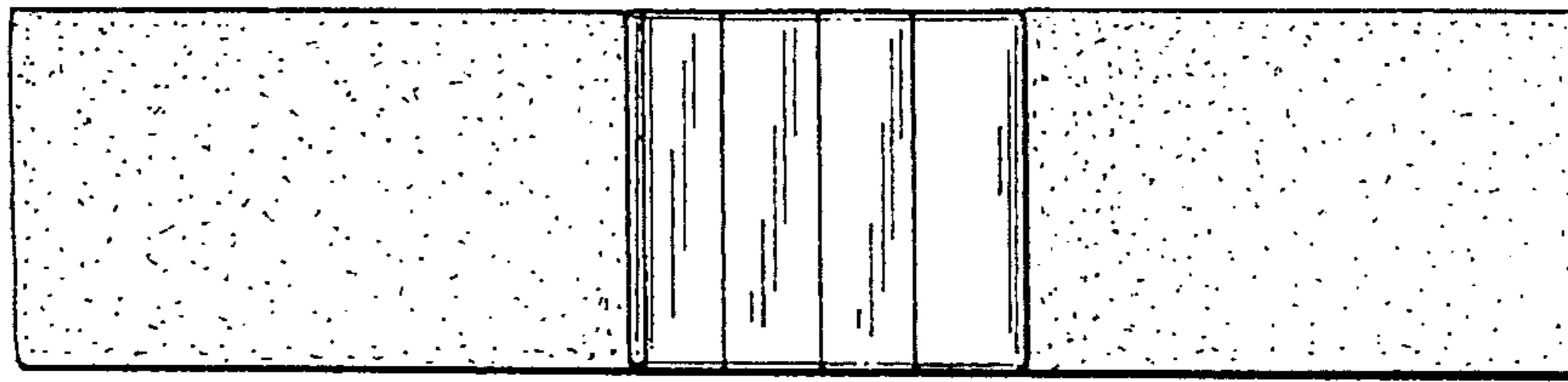


FIG. 5

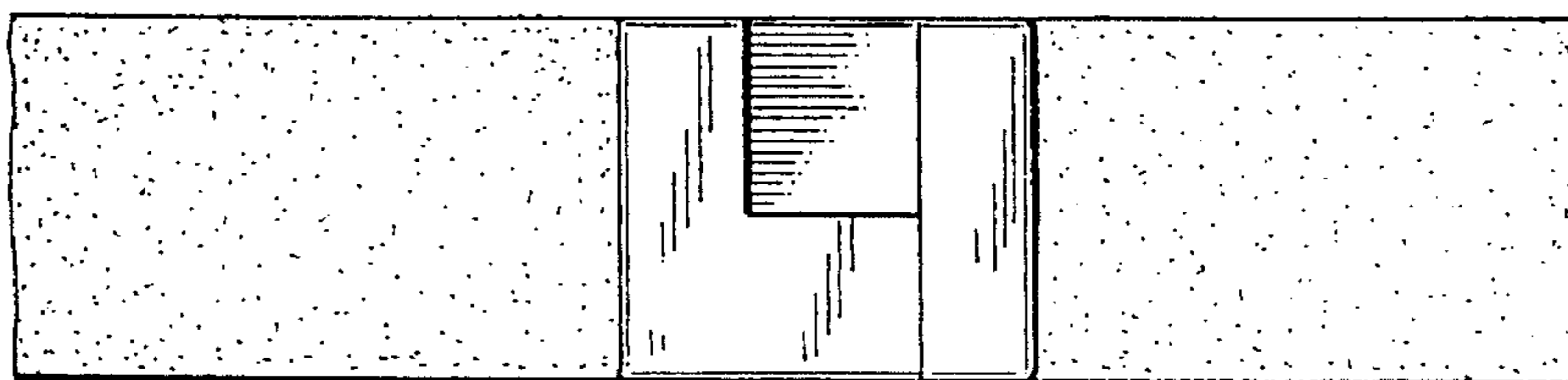


FIG. 6

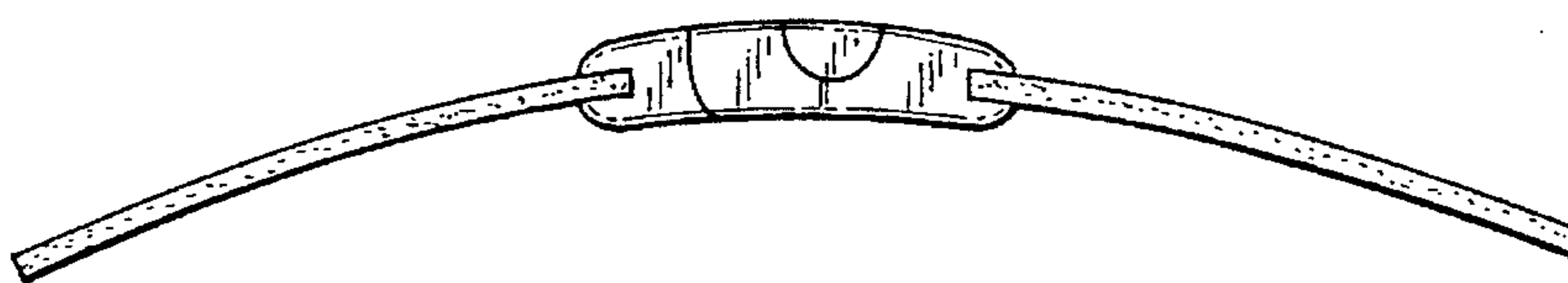


FIG. 7

