



US00D373001S

**United States Patent** [19]  
**O'Donnell**

[11] **Patent Number: Des. 373,001**

[45] **Date of Patent: \*\*Aug. 20, 1996**

[54] **DECORATIVE SEASONAL OUTDOOR LIGHT**

Halloween Electric Lite-Up-Outdoor, Tico Toys, #4231, 1969, Novelty Lamps.

[76] Inventor: **Michael P. O'Donnell**, 33440 Lancashire, Westland, Mich. 48185

*Primary Examiner*—Susan J. Lucas  
*Assistant Examiner*—Jennifer Register  
*Attorney, Agent, or Firm*—James A. Hudak

[\*\*] Term: **14 Years**

[21] Appl. No.: **42,549**

[57] **CLAIM**

[22] Filed: **Aug. 11, 1995**

[52] U.S. Cl. .... **D26/68**; D11/121; D26/94

The ornamental design for a decorative seasonal outdoor light, as shown and described.

[58] Field of Search ..... D26/8, 67, 94, D26/126; 362/191, 806; D11/121, 125

**DESCRIPTION**

[56] **References Cited**

**U.S. PATENT DOCUMENTS**

D. 219,062	10/1970	Koziol .....	D26/8
D. 239,968	5/1976	McNamara .....	D26/8
D. 298,060	10/1988	Johannsen .....	D26/94
D. 335,548	5/1993	Linda .....	D26/127
D. 339,653	9/1993	Porter .....	D26/130
D. 345,621	3/1994	McLaughlin .....	D26/94 X
699,669	5/1902	Du Ket .....	362/806 X
715,379	12/1902	Hero .....	362/806 X
764,207	7/1904	Robinson .....	362/806 X
5,091,833	2/1992	Paniaquas et al. ....	362/191

**OTHER PUBLICATIONS**

Halloween Flashlight, Blinky Products, #803P, p. 4 Feb. 21, 1995, Novelty Lamps.  
Pumpkin Safety Lights, Oriental Trading Catalog #79, #23111, 1992, Novelty Lamps.

FIG. 1 is an exploded perspective view of the decorative seasonal outdoor light showing my new design;

FIG. 2 is a front elevational view thereof;

FIG. 3 is a rear elevational view thereof;

FIG. 4 is a right side elevational view thereof, the left side elevational view being a mirror image of the view shown in this Figure;

FIG. 5 is a top plan view thereof; and,

FIG. 6 is a bottom plan view thereof.

**1 Claim, 4 Drawing Sheets**

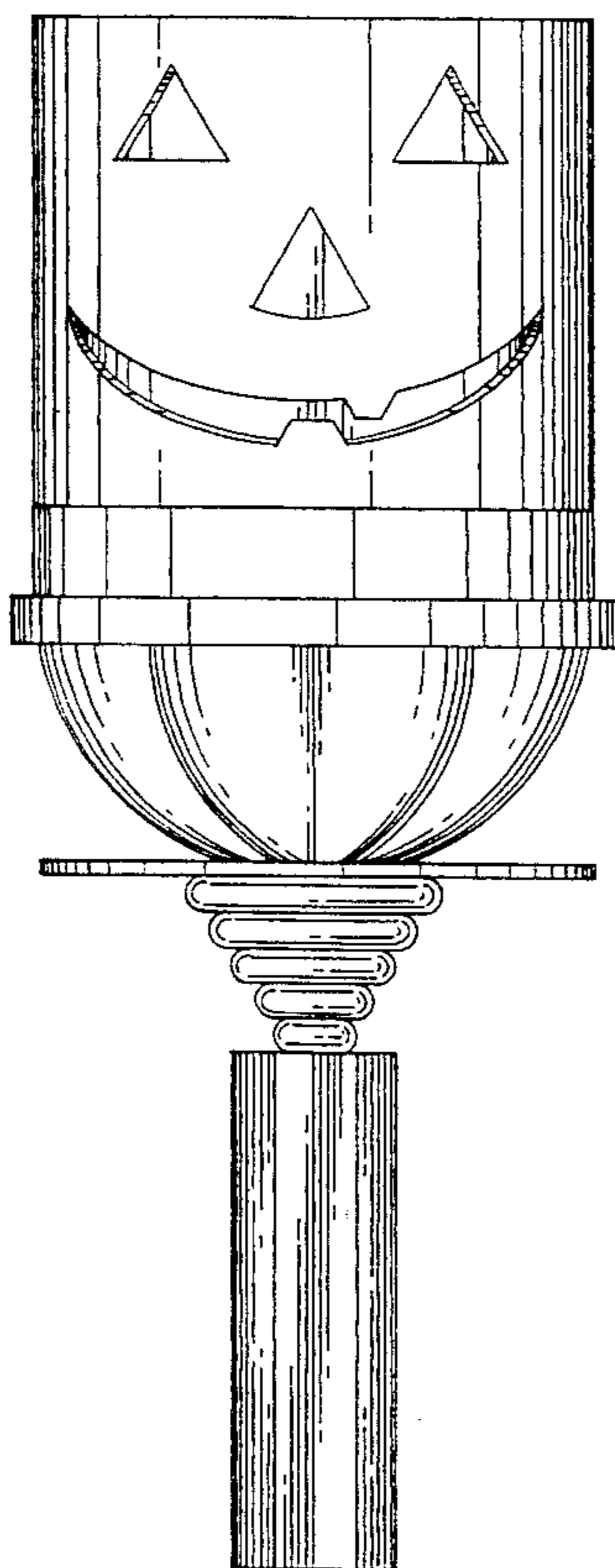
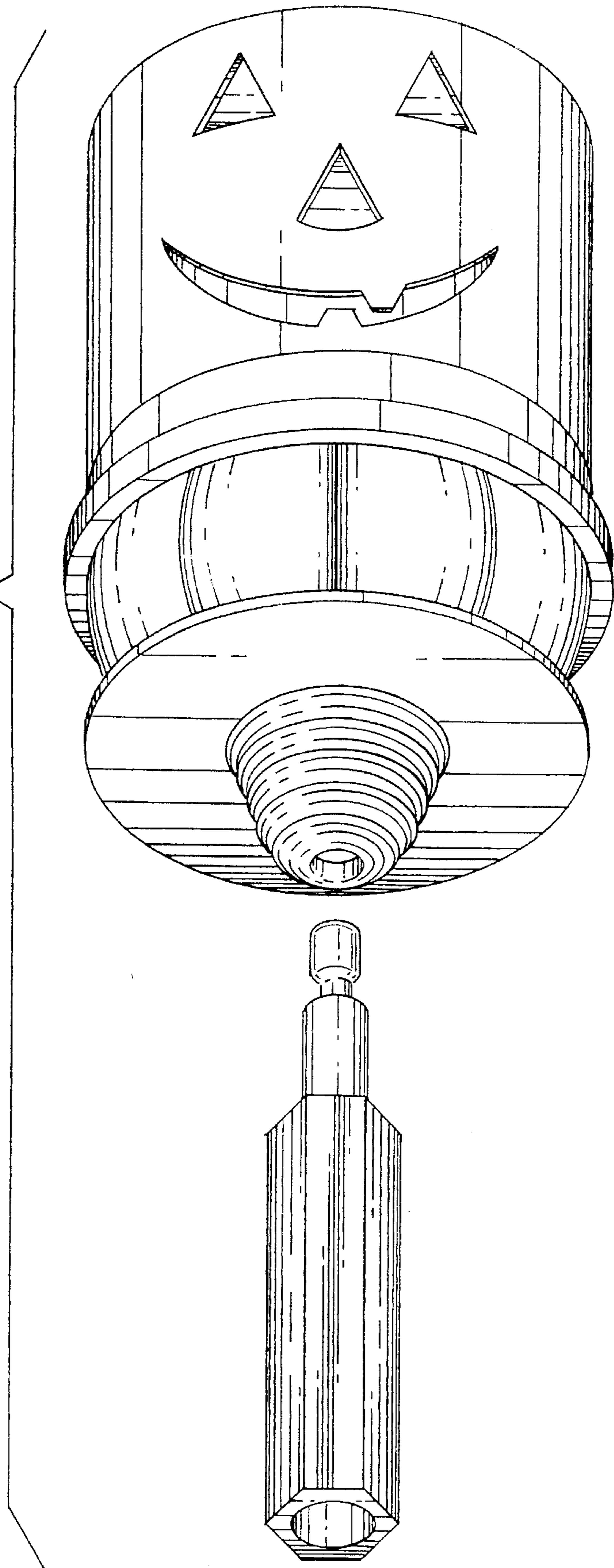


FIG. 1



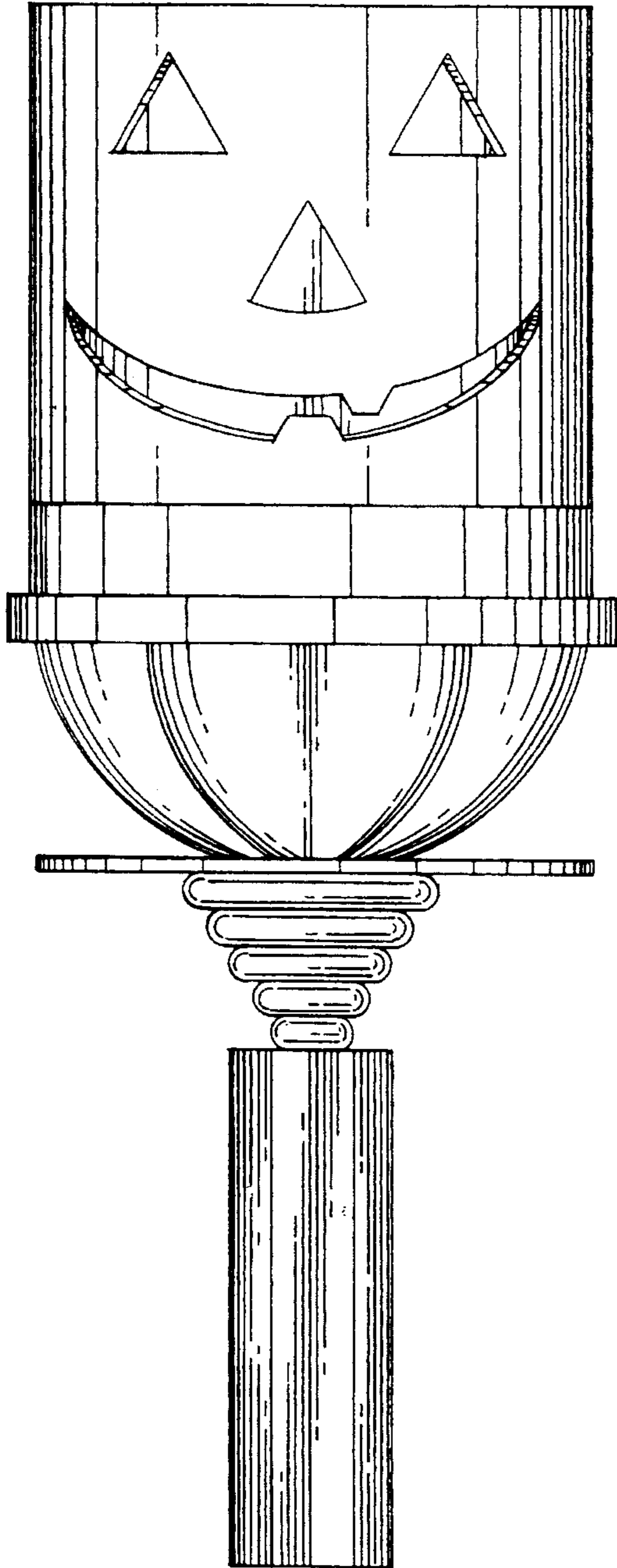


FIG. 2

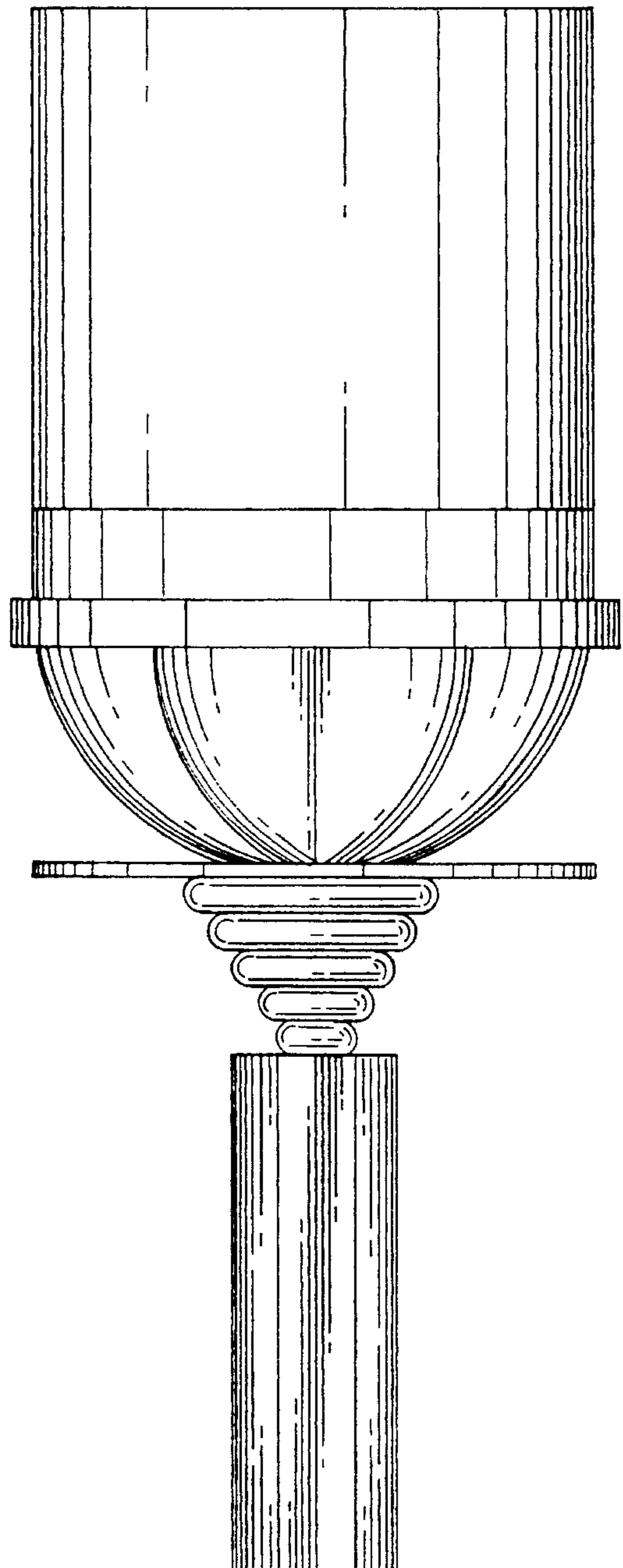


FIG. 3

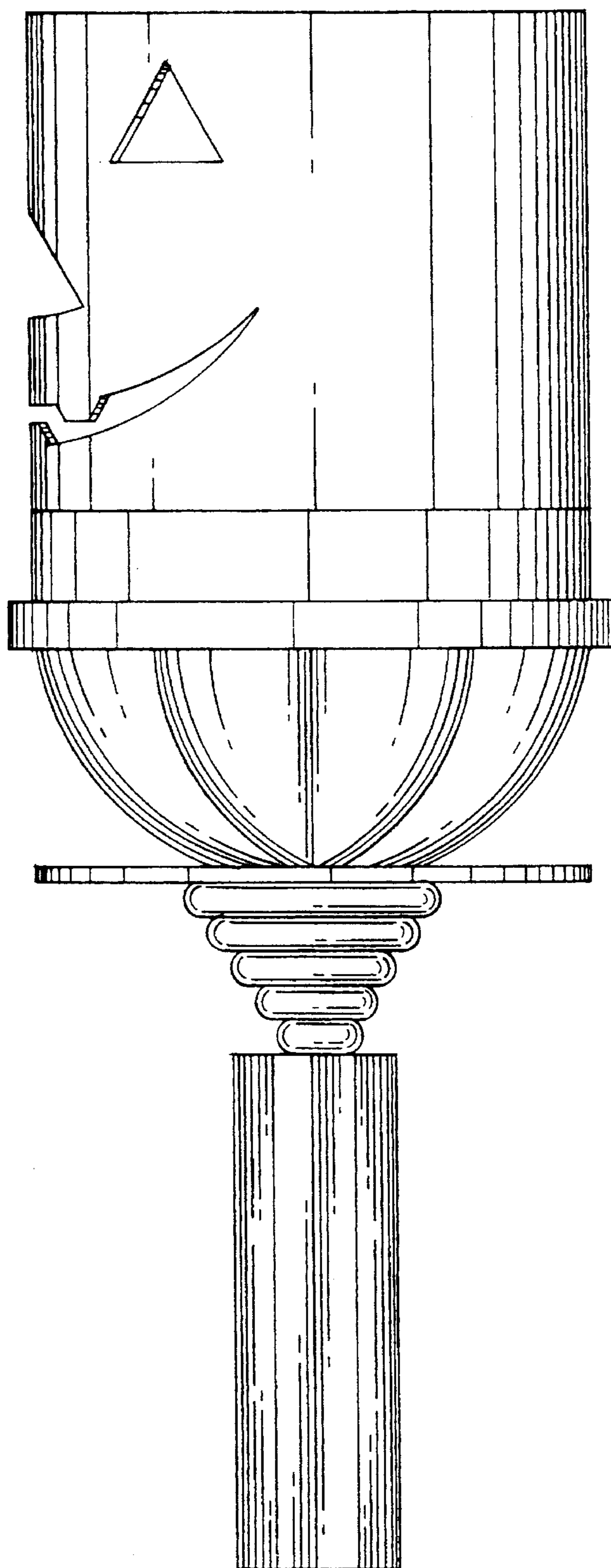


FIG. 4

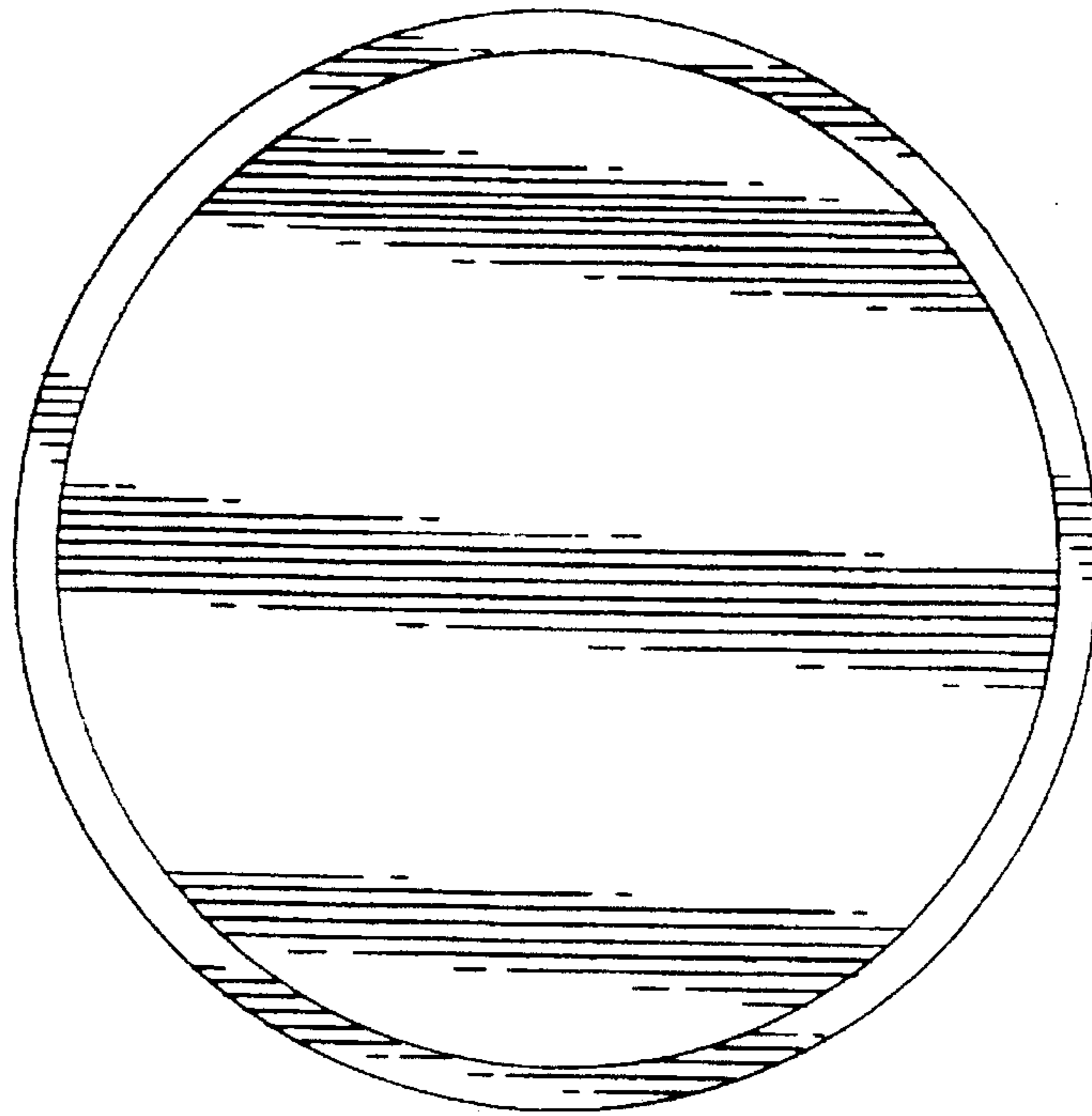


FIG. 5

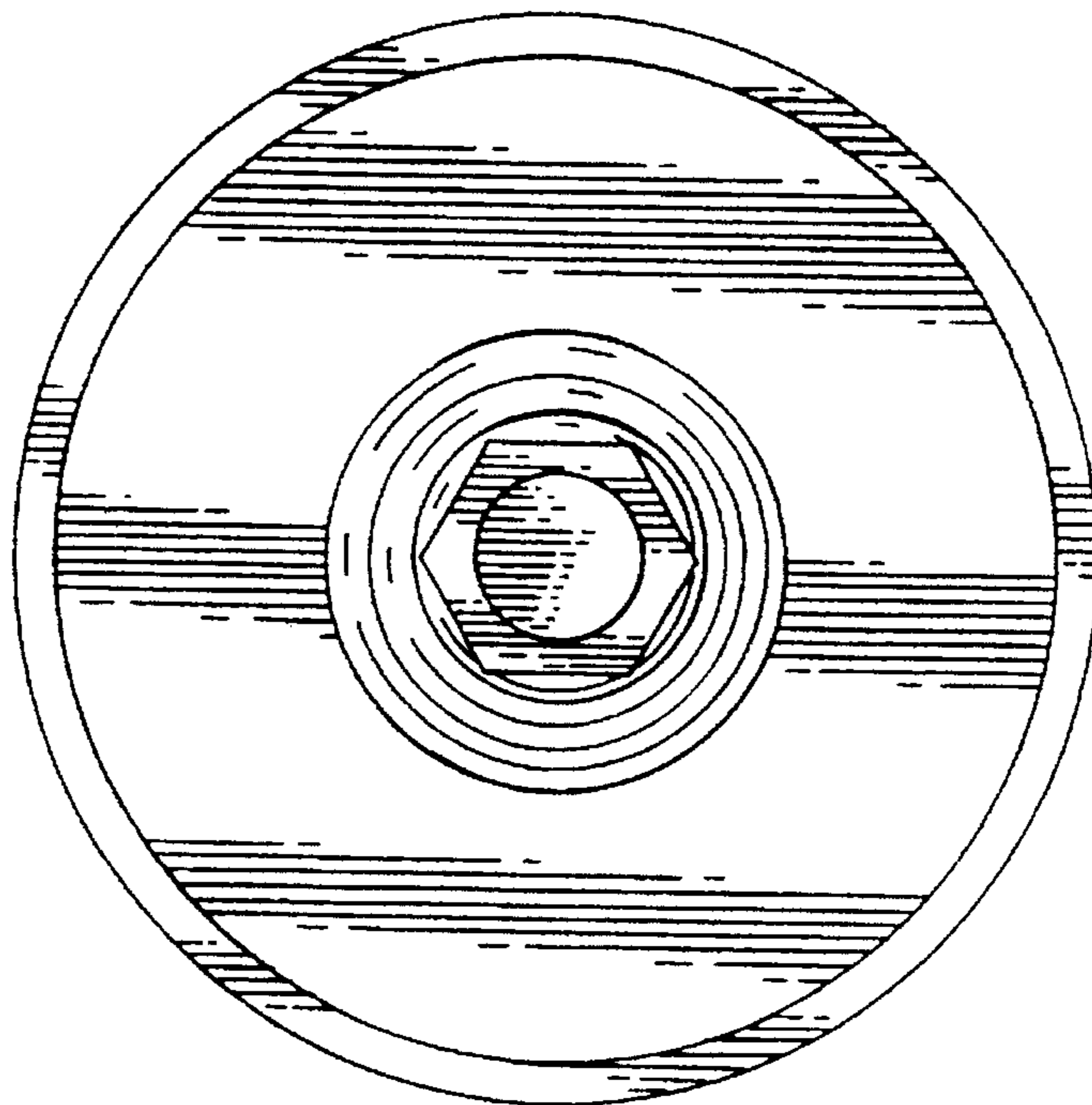


FIG. 6