



US00D372996S

United States Patent [19]

Geissler

[11] Patent Number: Des. 372,996

[45] Date of Patent: **Aug. 20, 1996

[54] **FLASHLIGHT**

[76] Inventor: **Udo M. Geissler**, Henrik-Ibsen-Strasse
5, D-80638 Munich, Germany

[**] Term: **14 Years**

[21] Appl. No.: **39,004**

[22] Filed: **May 18, 1995**

[30] **Foreign Application Priority Data**

Dec. 19, 1994 [DE] Germany 94 09 956.1

[52] **U.S. Cl.** **D26/42**

[58] **Field of Search** D26/37-50; 362/157,
362/158, 183, 184, 187-191, 196-200,
202

[56] **References Cited**

U.S. PATENT DOCUMENTS

D. 251,268	3/1979	Zelina	D26/42
D. 293,482	12/1987	Geissler	D26/49
D. 344,151	2/1994	Kwong	D26/42
D. 357,759	4/1995	Geissler	D26/42

Primary Examiner—Marcus A. Jackson
Attorney, Agent, or Firm—Frishauf, Holtz, Goodman,
Lancer & Chick, P.C.

[57] **CLAIM**

The ornamental design for a flashlight, as shown and described.

DESCRIPTION

FIG. 1 is a front perspective view of the flashlight;

FIG. 2 is a rear perspective view of the flashlight;

FIG. 3 is a right side view of the flashlight;

FIG. 4 is a top view of the flashlight;

FIG. 5 is a left side view of the flashlight;

FIG. 6 is a bottom view of the flashlight;

FIG. 7 is a rear end view of the flashlight;

FIG. 8 is a front end view of the flashlight;

FIG. 9 is a front perspective view of a second embodiment thereof;

FIG. 10 is a rear perspective view thereof;

FIG. 11 is a right side view of the flashlight of FIG. 9;

FIG. 12 is a top view of the flashlight of FIG. 9;

FIG. 13 is a left side view of the flashlight of FIG. 9;

FIG. 14 is a bottom view of the flashlight of FIG. 9;

FIG. 15 is a rear end view of the flashlight of FIG. 9;

FIG. 16 is a front end view of the flashlight of FIG. 9;

FIG. 17 is an exploded top plan view thereof, with the adapter fitting into the bottom adapter socket and with the cord broken away to indicate indeterminate length; and,

FIG. 18 is a top plan view thereof, with the adapter fitting attached.

1 Claim, 8 Drawing Sheets

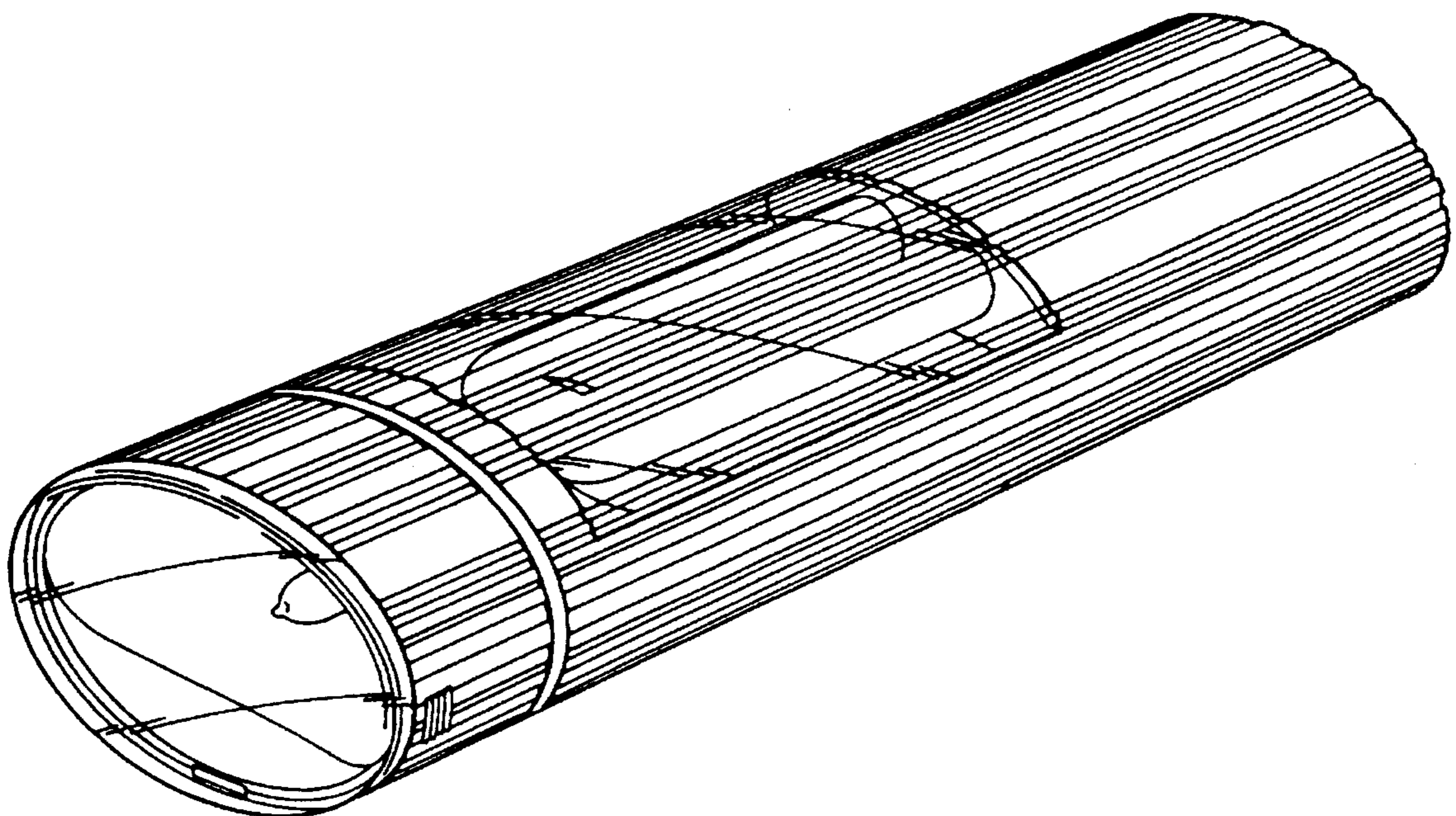


Fig. 1

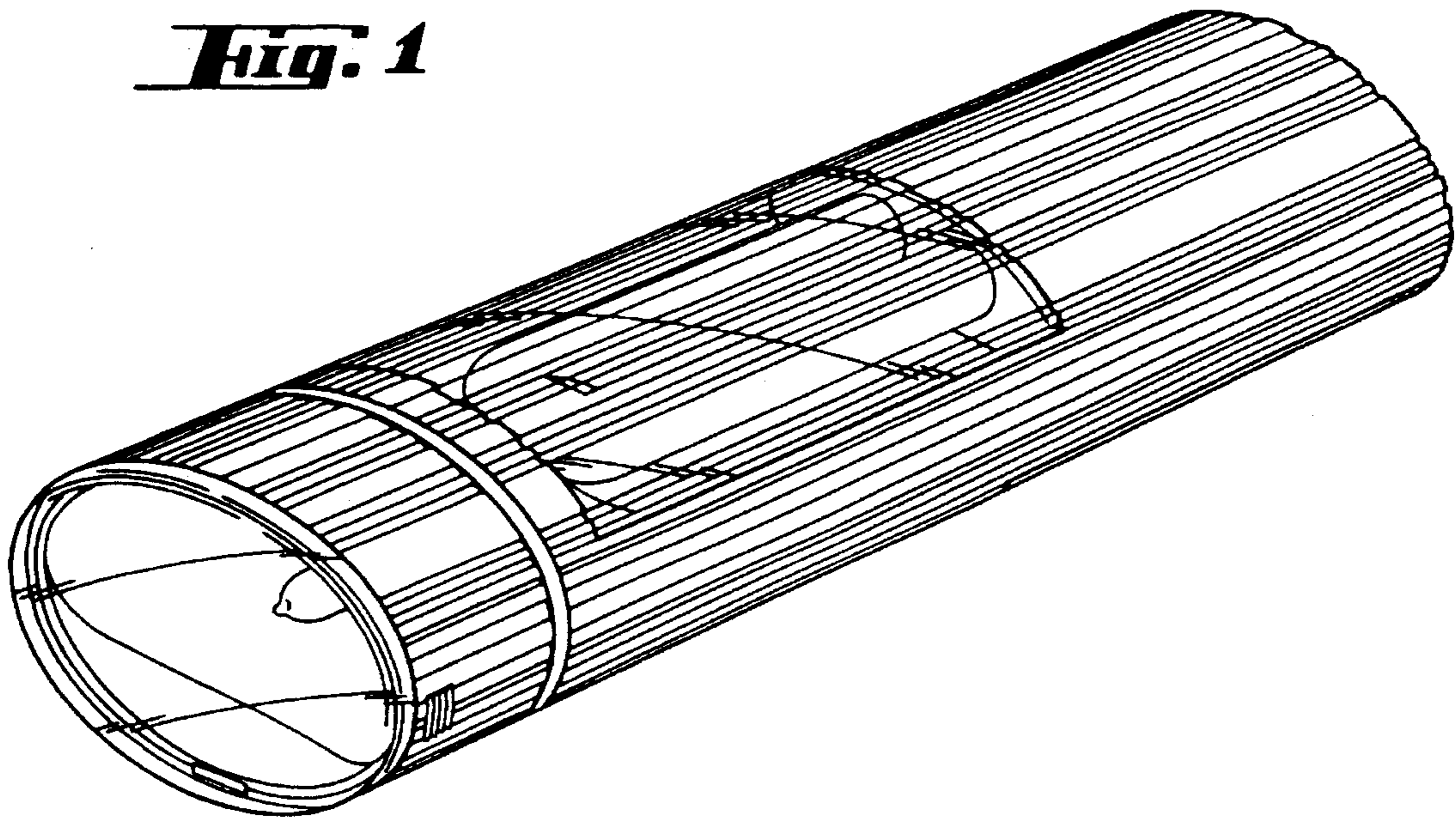


Fig. 2

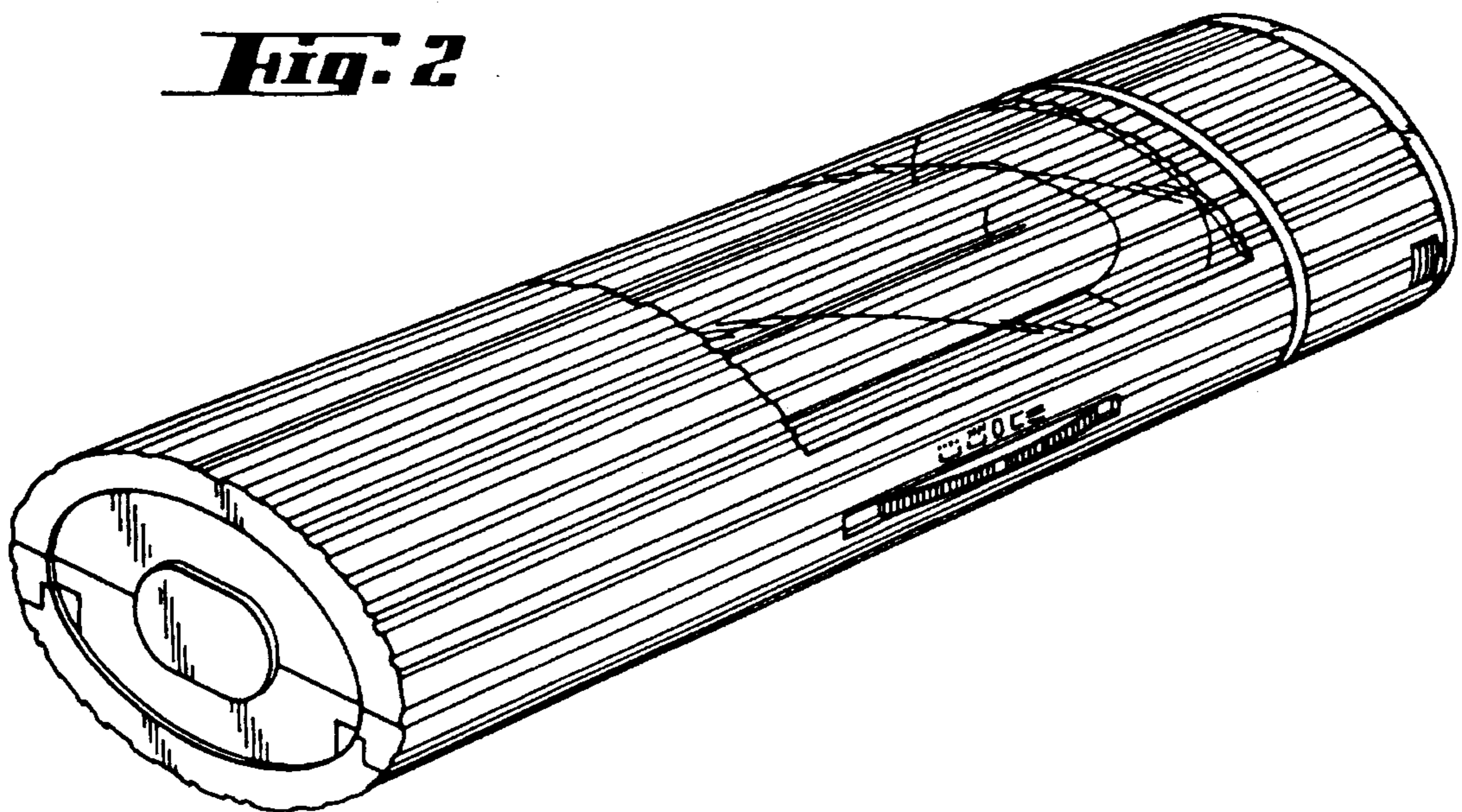


Fig. 3

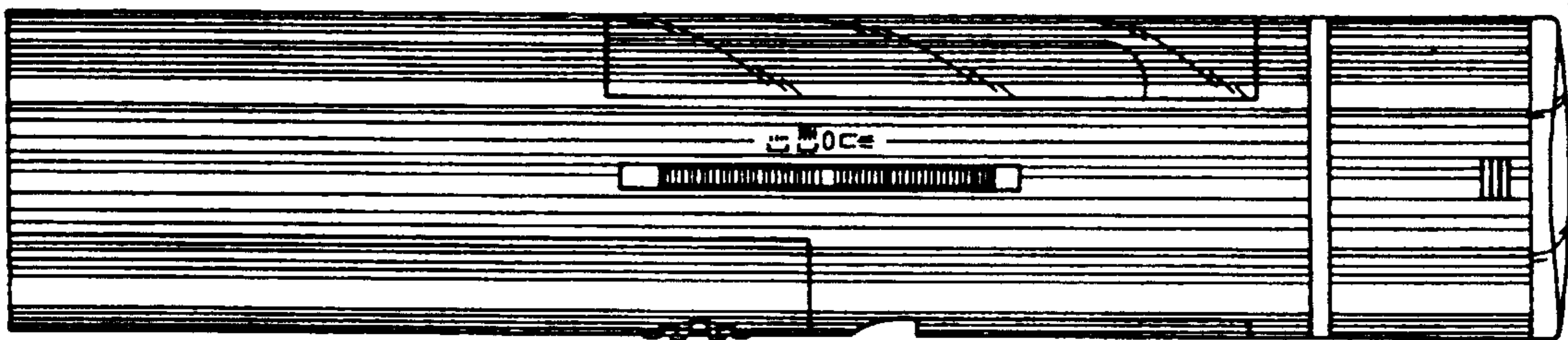


Fig. 4

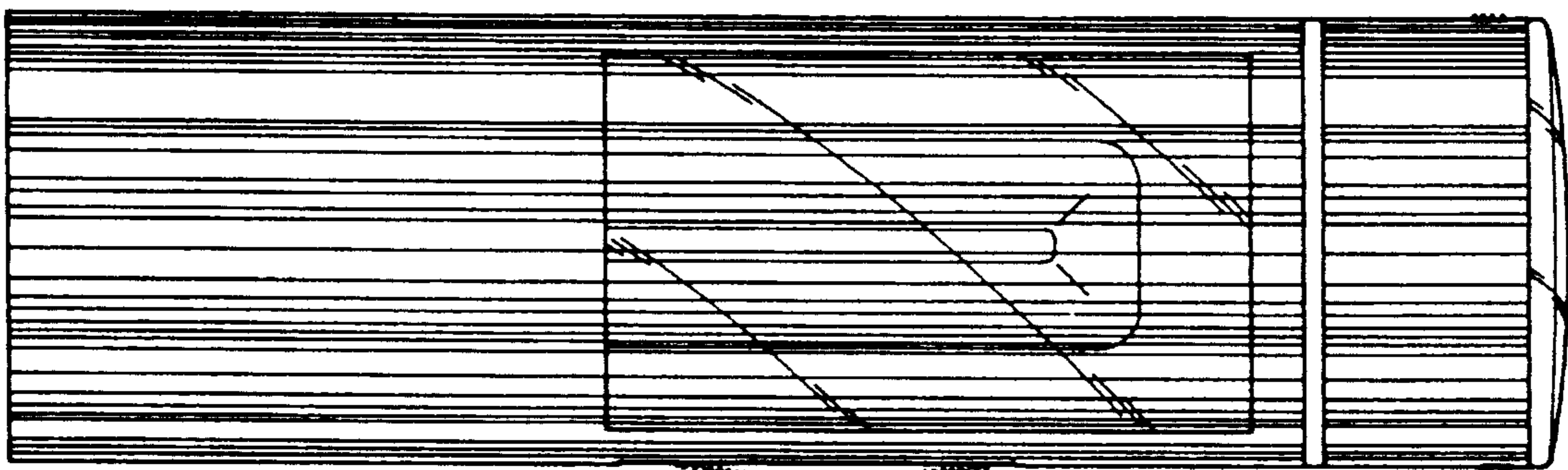


Fig. 5

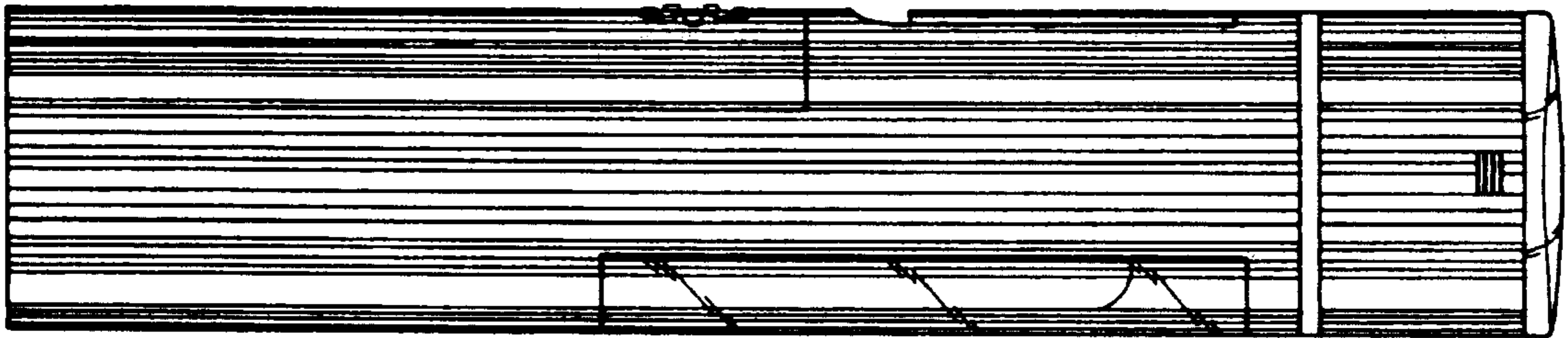


Fig. 6

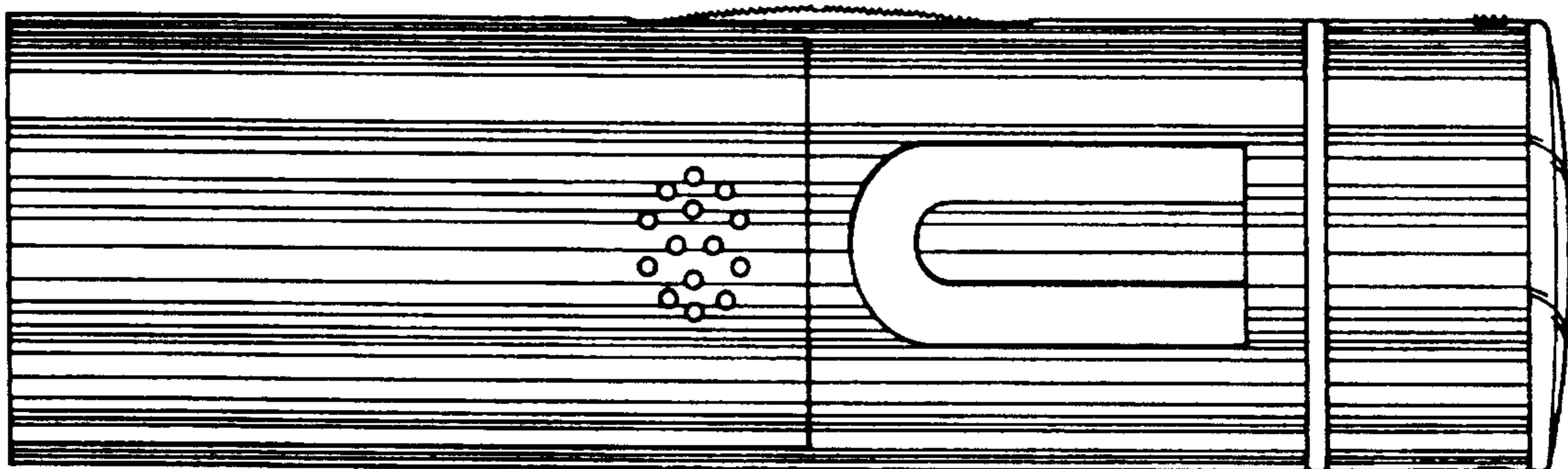


Fig. 7

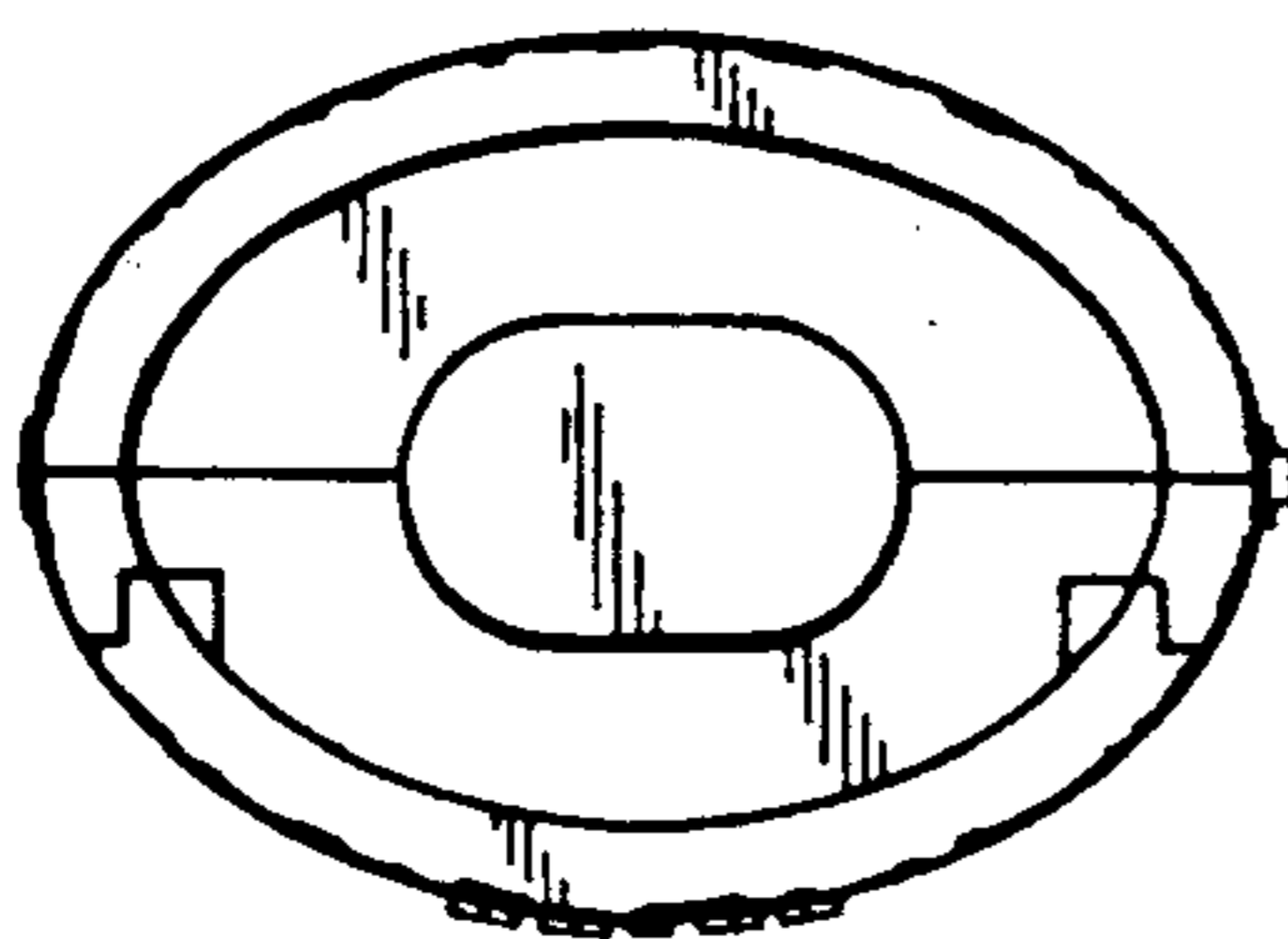


Fig. 8

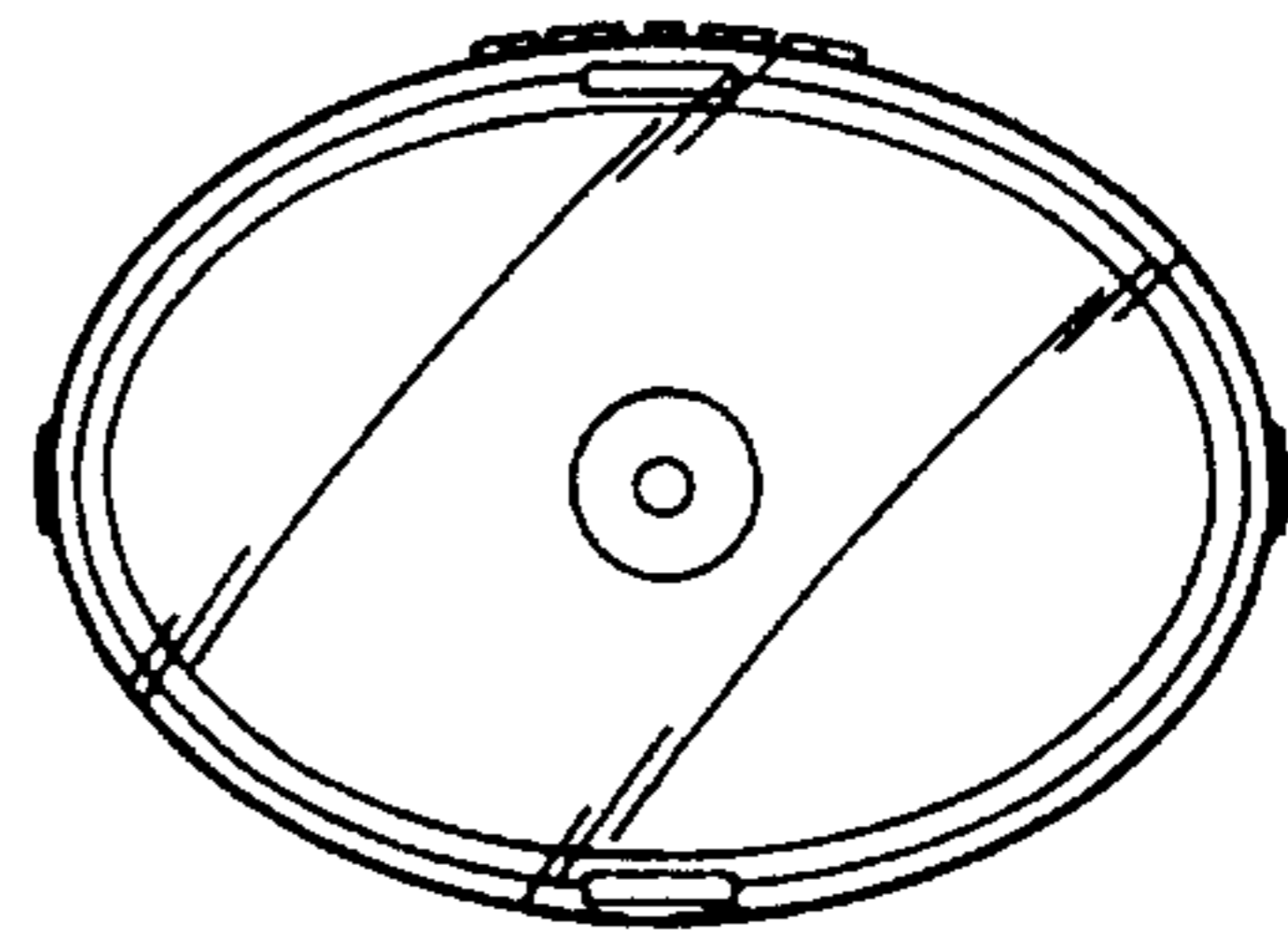


Fig. 9

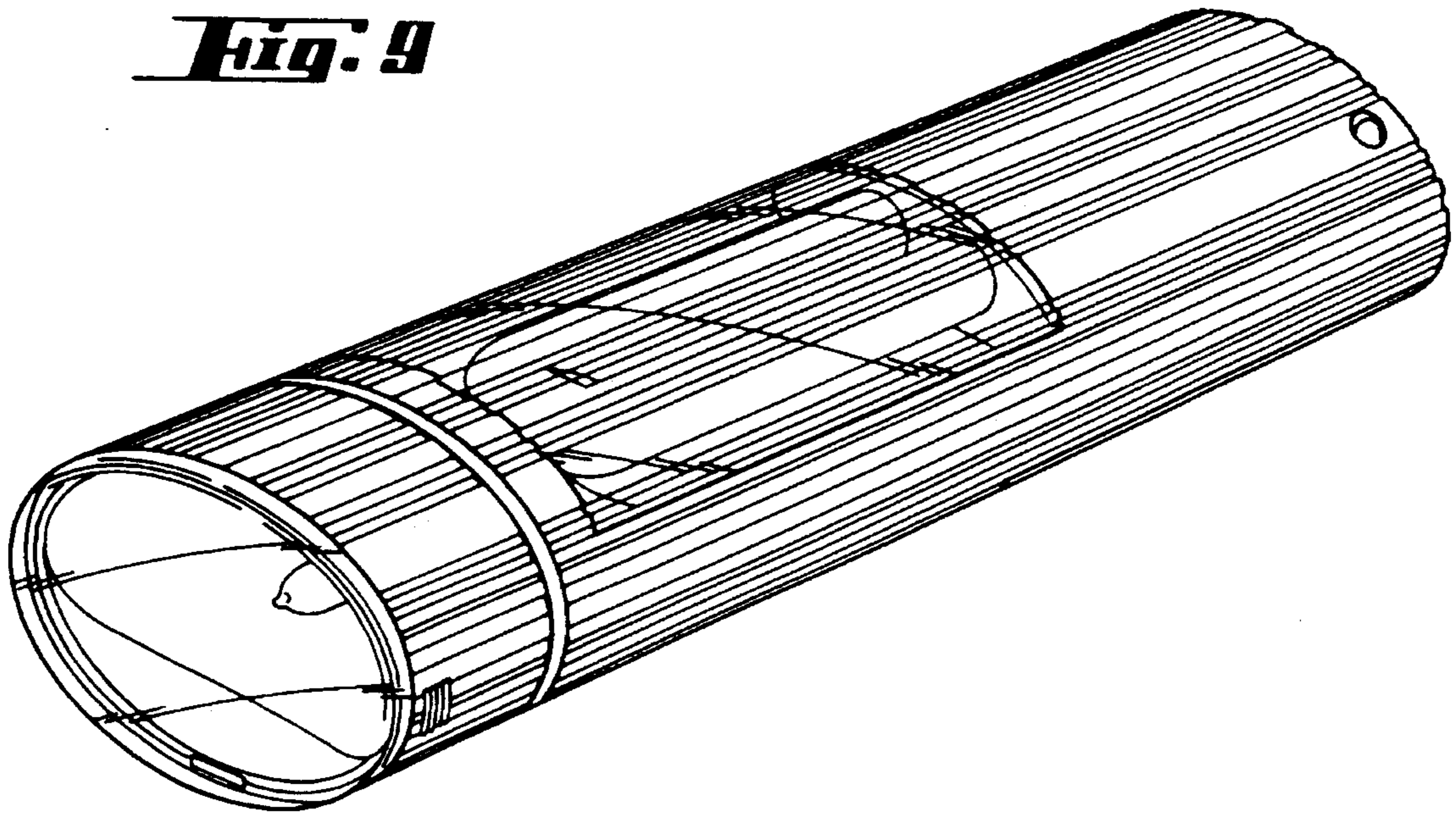


Fig. 10

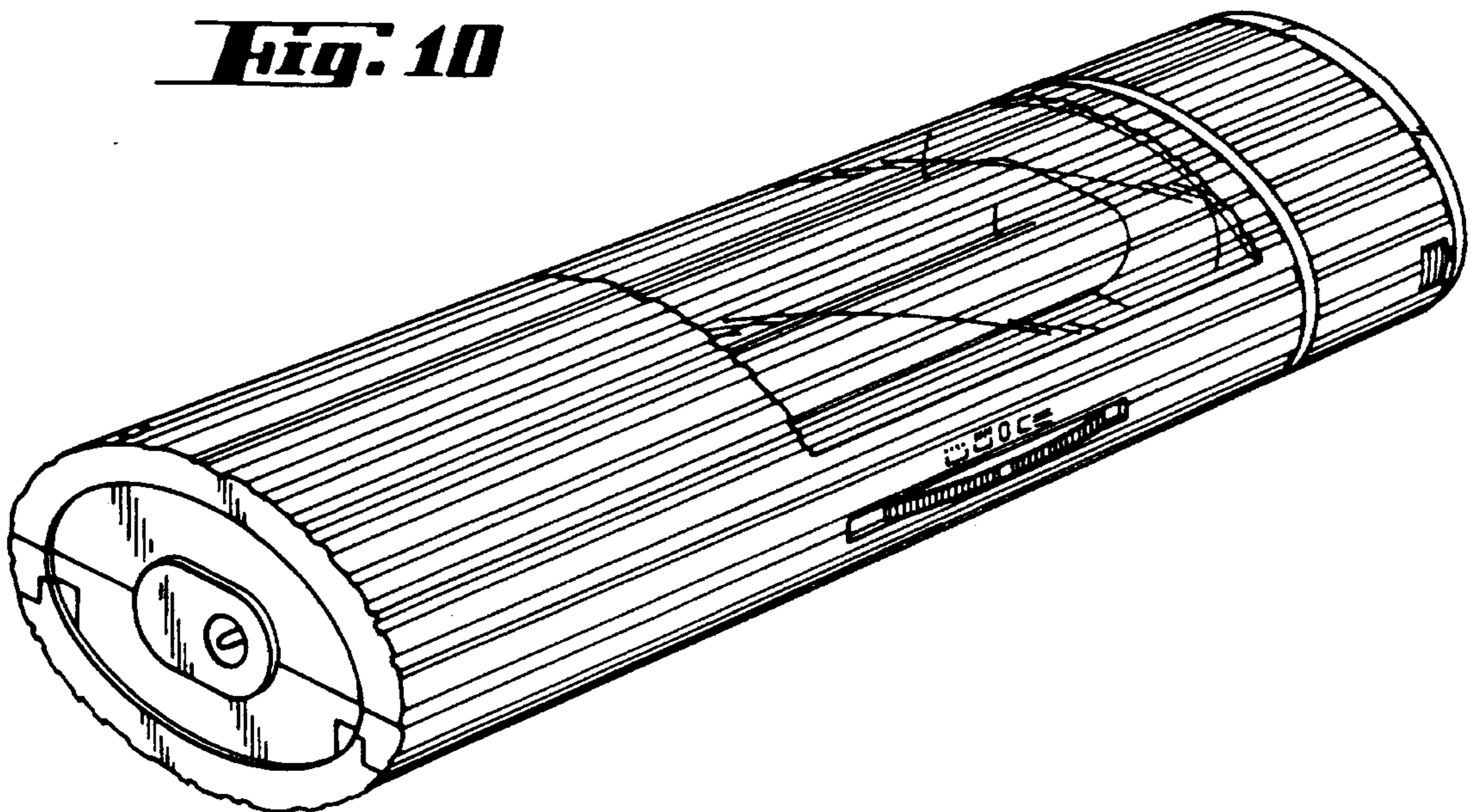


Fig. 11

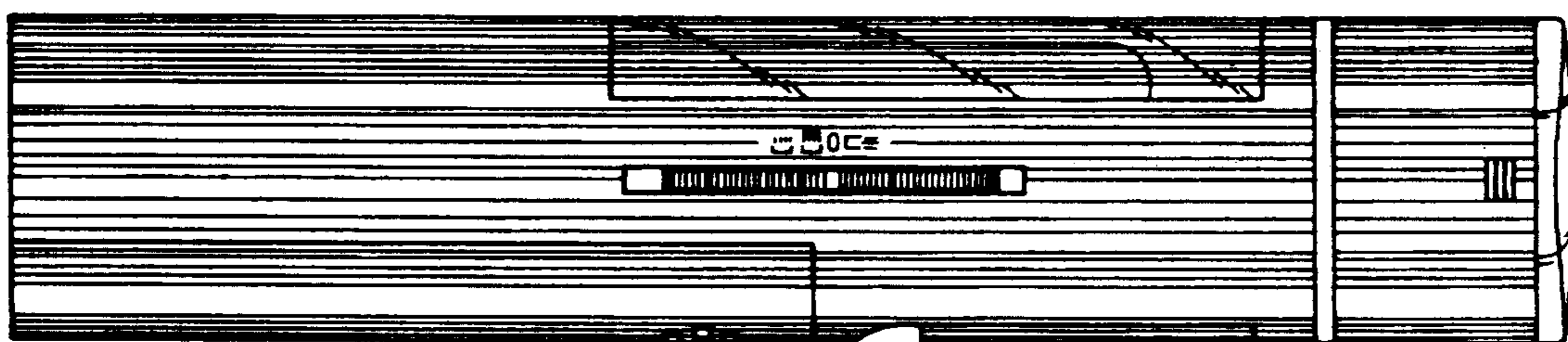


Fig. 12

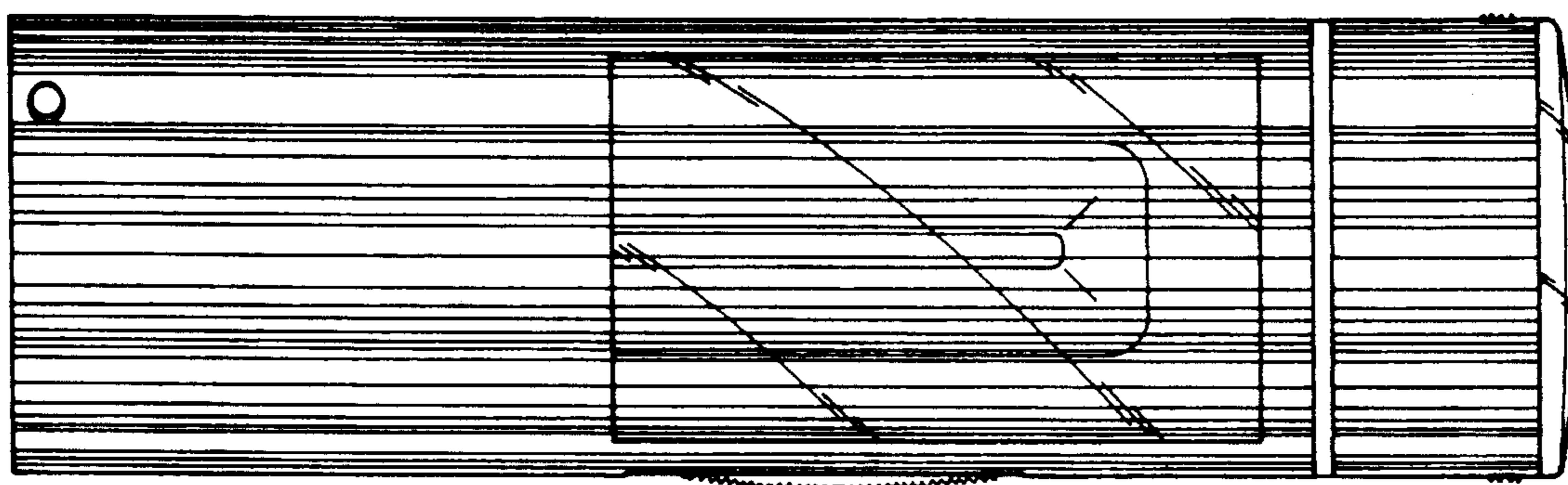


Fig. 13

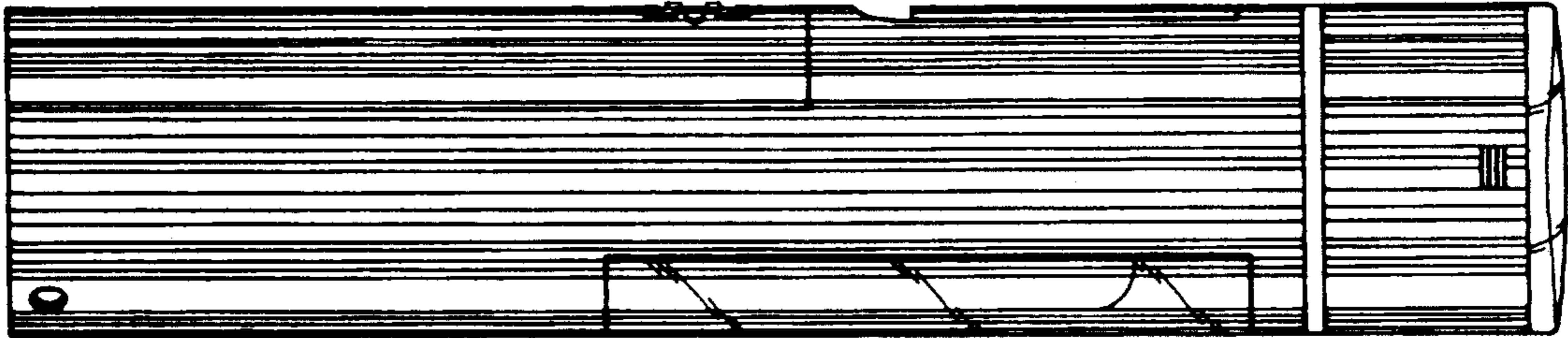


Fig. 14

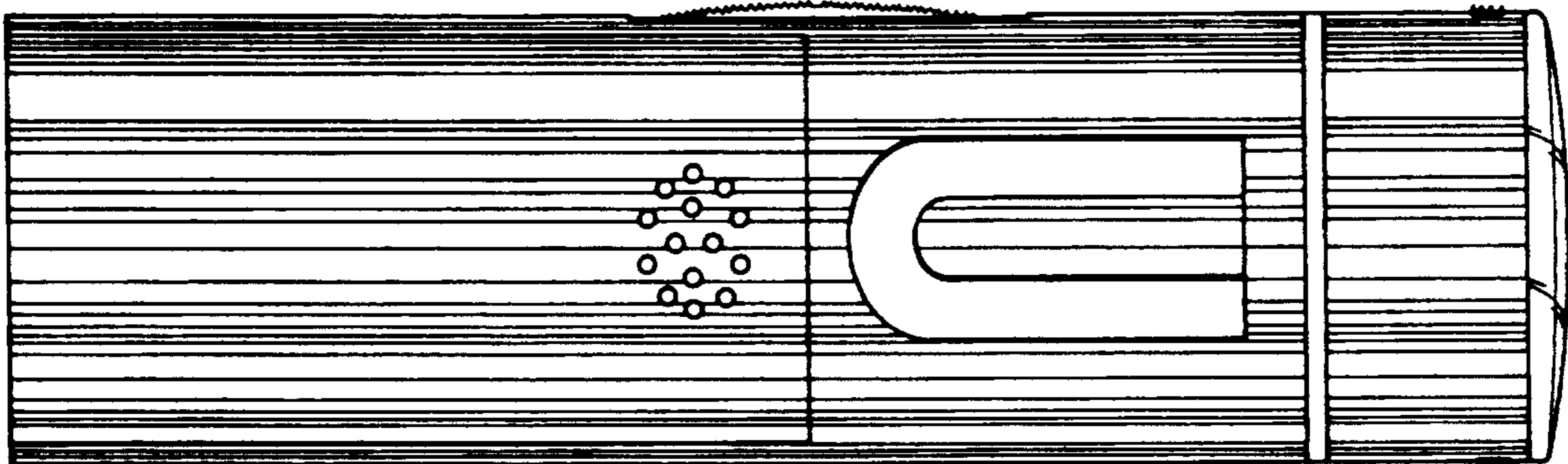


Fig. 15

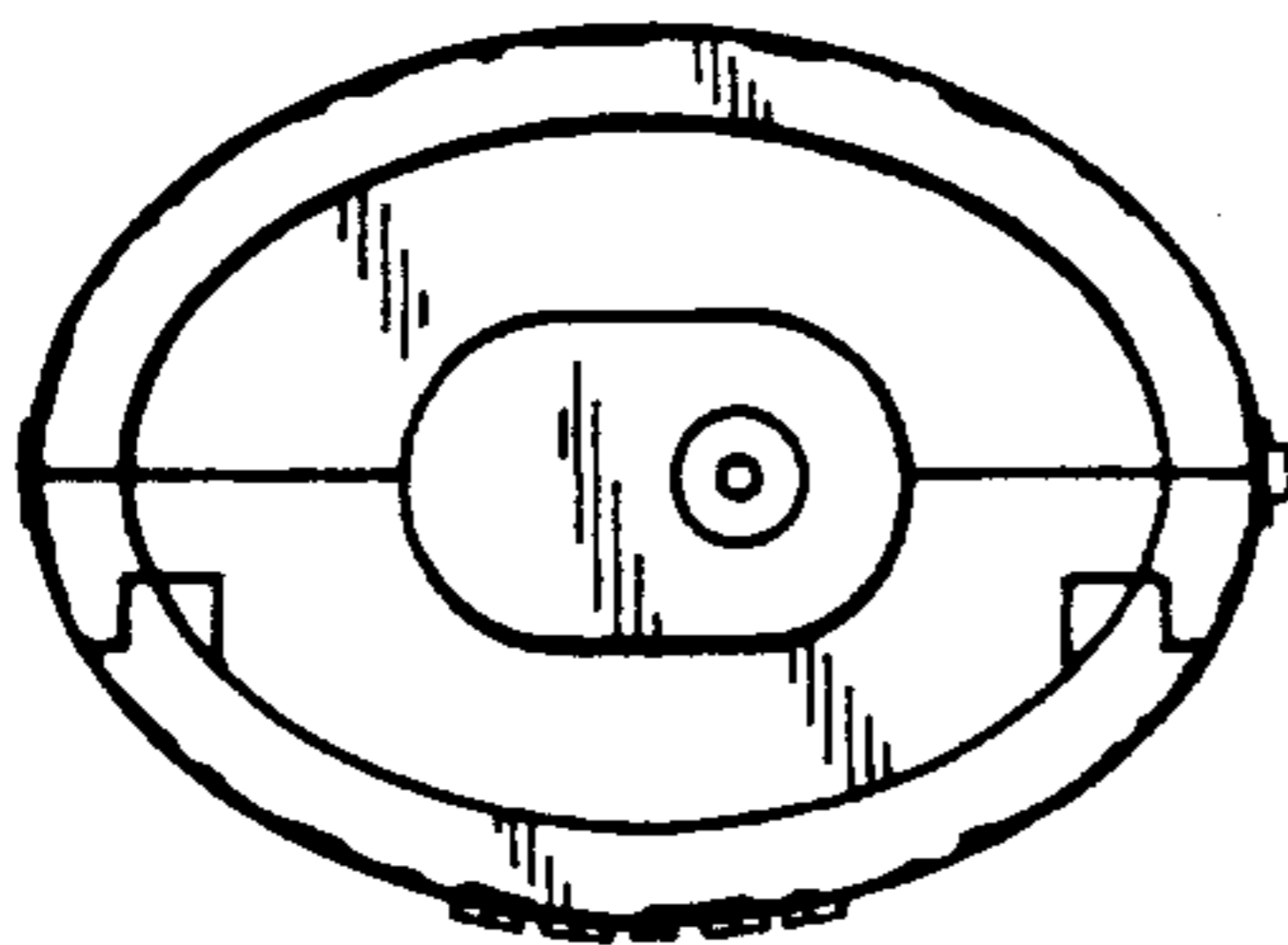


Fig. 16

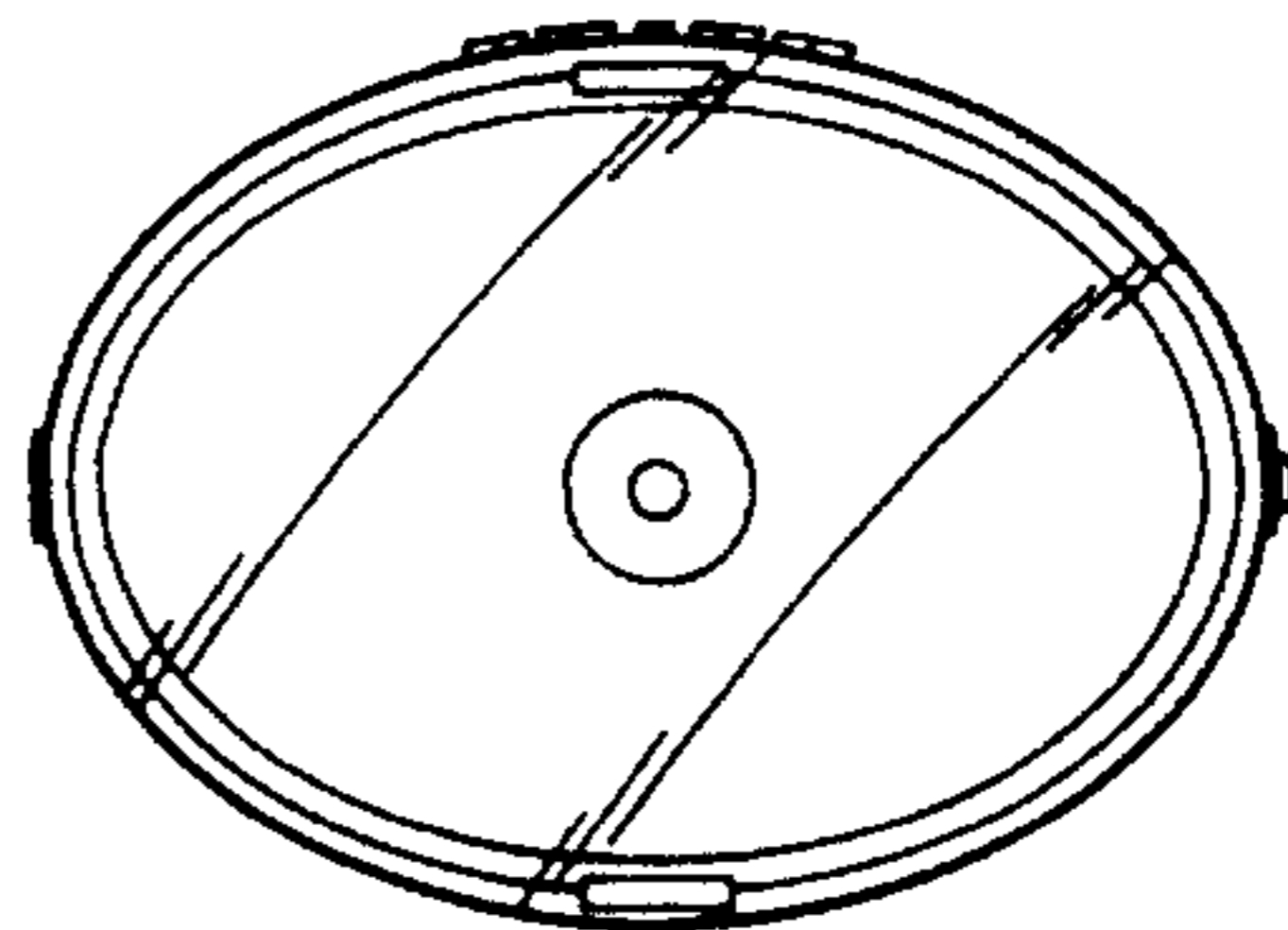


Fig. 17

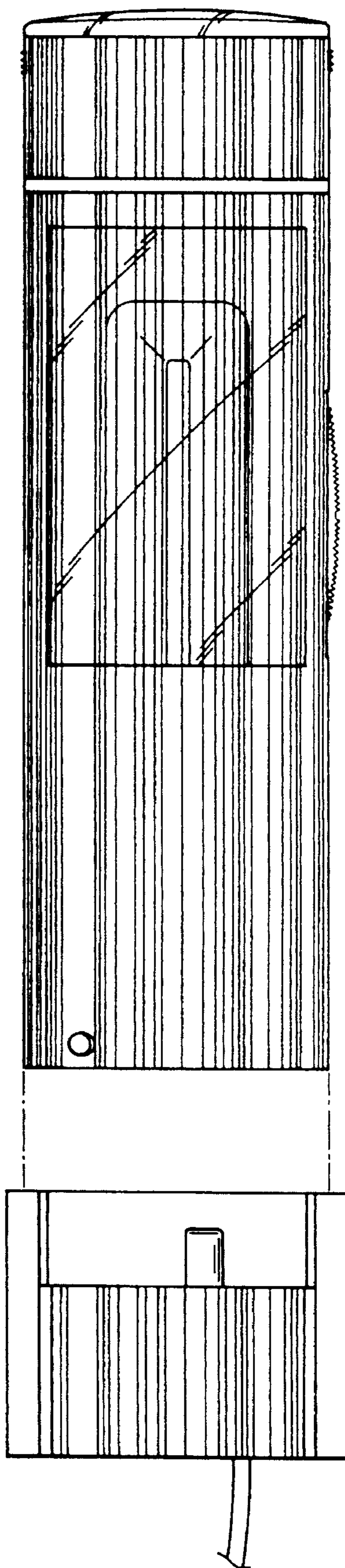
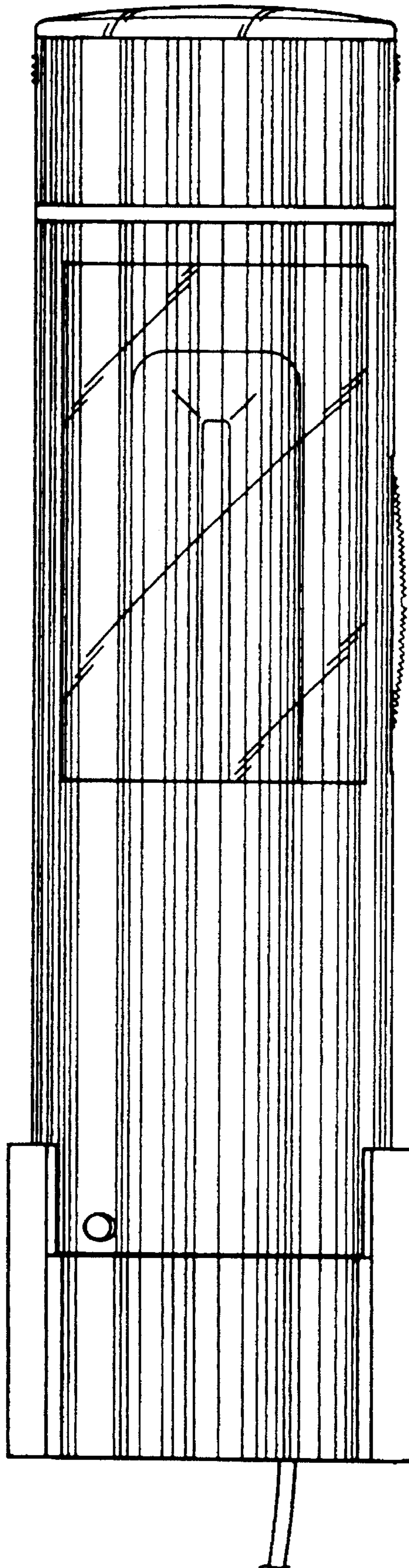


Fig. 1B



UNITED STATES PATENT AND TRADEMARK OFFICE
CERTIFICATE OF CORRECTION

PATENT NO. : Des.372,996
DATED : August 20, 1996
INVENTOR(S) : GEISSLER

It is certified that error appears in the above-identified patent and that said Letters Patent is hereby corrected as shown below:

Title page, beneath the last line in Item [76] Inventor,
insert:

-- [73] Assignee: Osram GmbH
Munich, Fed. Rep. Germany--

Signed and Sealed this
Tenth Day of June, 1997

Attest:



BRUCE LEHMAN

Attesting Officer

Commissioner of Patents and Trademarks