



US00D372995S

United States Patent [19]

[11] Patent Number: **Des. 372,995**

Huang

[45] Date of Patent: ****Aug. 20, 1996**

[54] **ADDITIONAL LIGHT FOR AUTOMOBILES**

[76] Inventor: **Jung-Chun Huang**, No. 160, Sec. 1, Erh Jen Road, Pao An Village, Jen Te Hsiang, Taiwan

[**] Term: **14 Years**

[21] Appl. No.: **40,727**

[22] Filed: **Jun. 26, 1995**

[52] U.S. Cl. **D26/28**

[58] Field of Search D26/28-36; 362/61, 362/80, 81, 82, 83, 267, 269

[56] **References Cited**

U.S. PATENT DOCUMENTS

D. 317,212	5/1991	Fettes et al.	D26/28
D. 333,879	8/1993	Jsai	D26/28
D. 354,362	1/1995	Jsai	D26/28
2,380,174	4/1938	Gagnier	362/61

Primary Examiner—Macus A. Jackson
Attorney, Agent, or Firm—Morton J. Rosenberg; David I. Klein

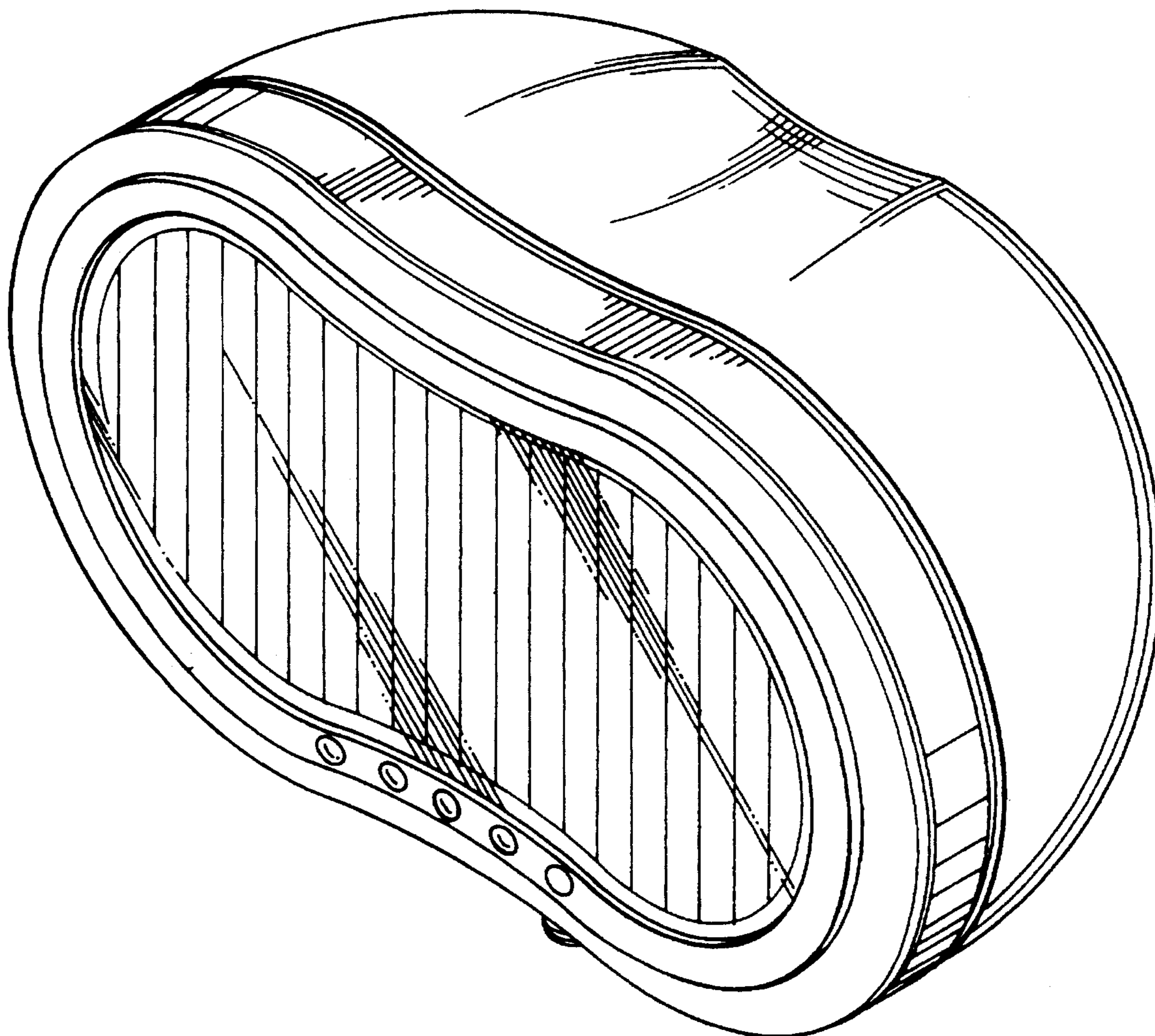
[57] **CLAIM**

The ornamental design for a additional light for automobiles, as shown and described.

DESCRIPTION

FIG. 1 is a perspective view of an additional light for automobiles showing our new design;
FIG. 2 is a front elevational view thereof;
FIG. 3 is a rear elevational view thereof;
FIG. 4 is a right side elevational view thereof;
FIG. 5 is a left side elevational view thereof;
FIG. 6 is a top plan view thereof; and,
FIG. 7 is a bottom plan view thereof.

1 Claim, 4 Drawing Sheets



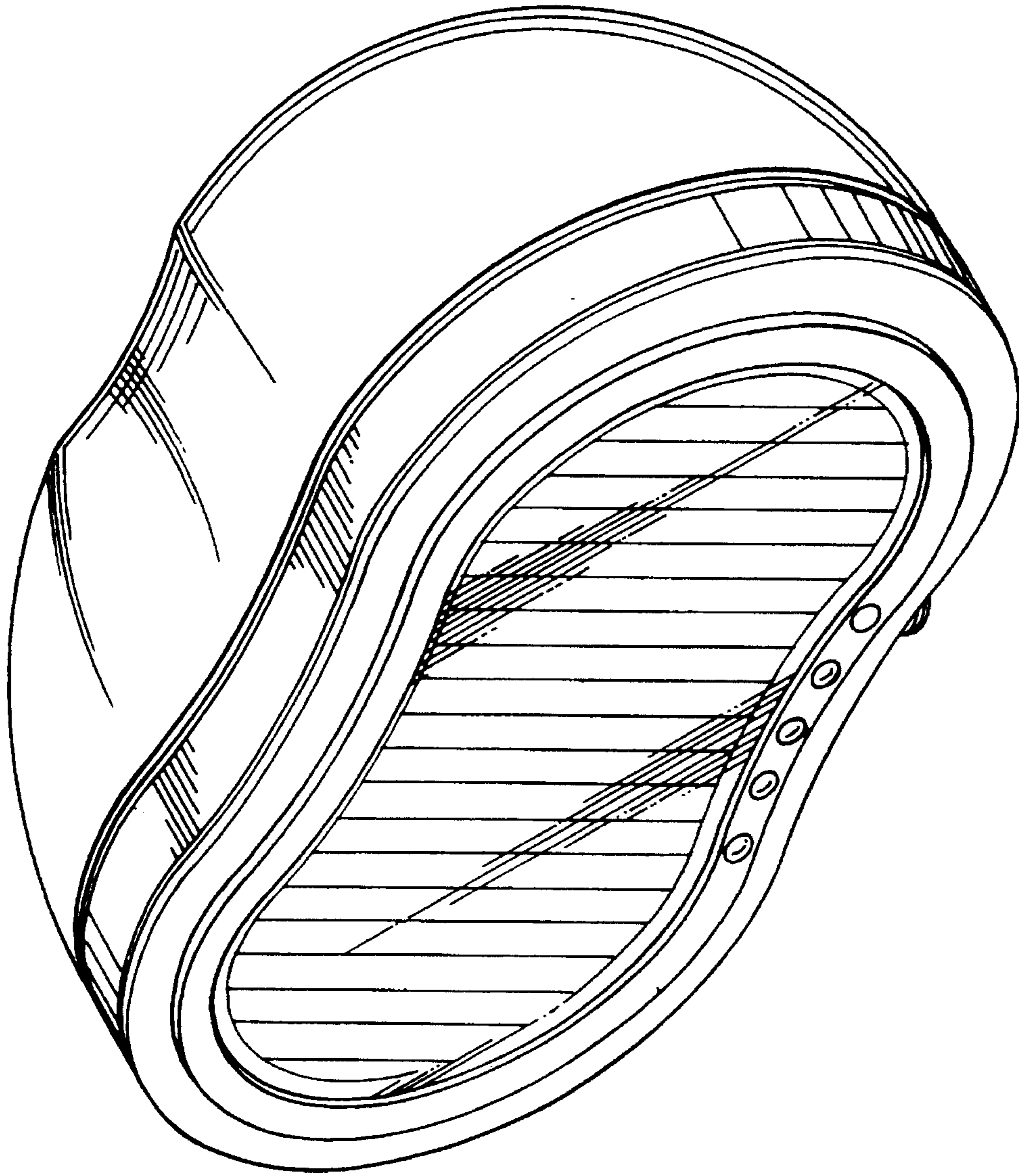


FIG. 1

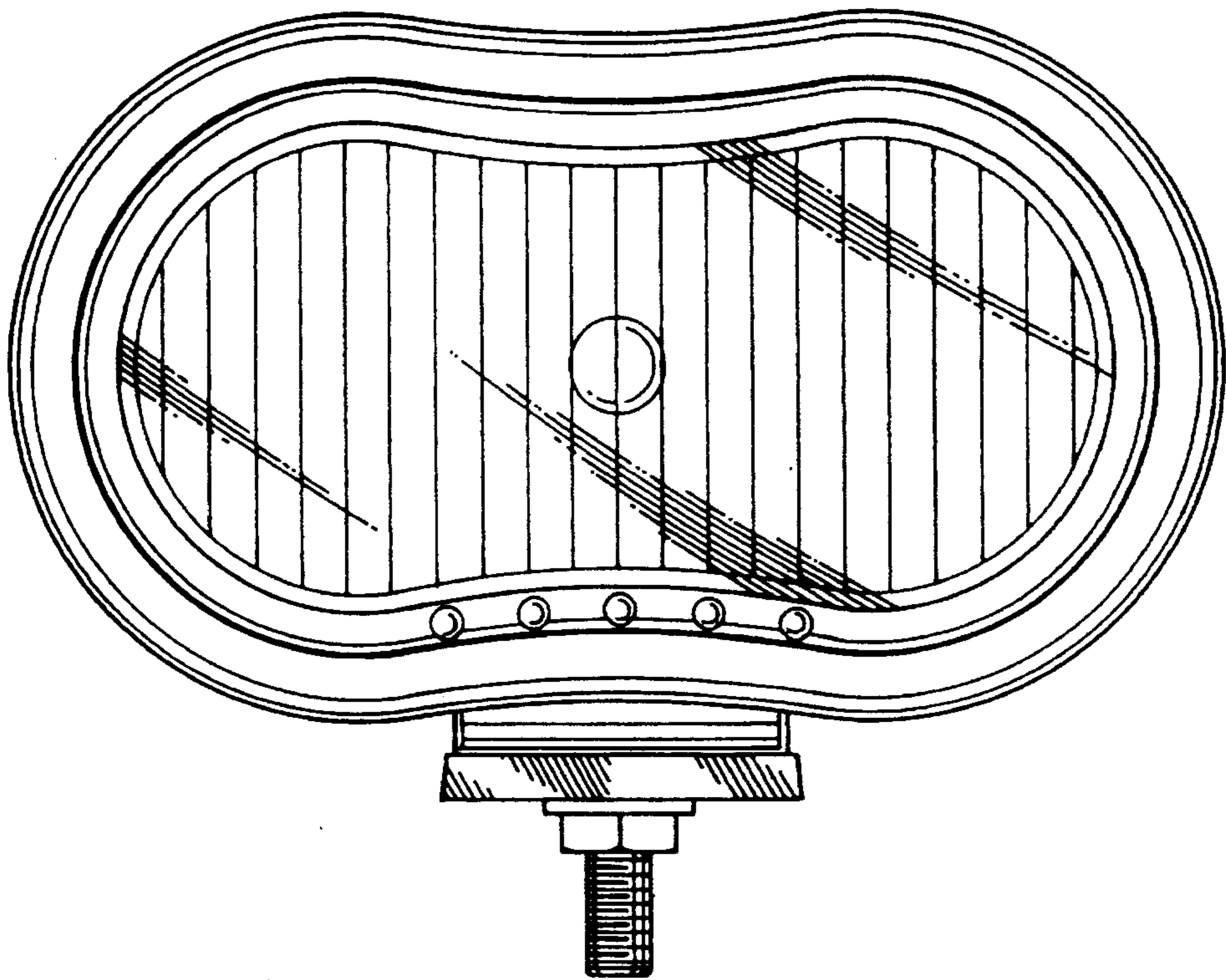


FIG. 2

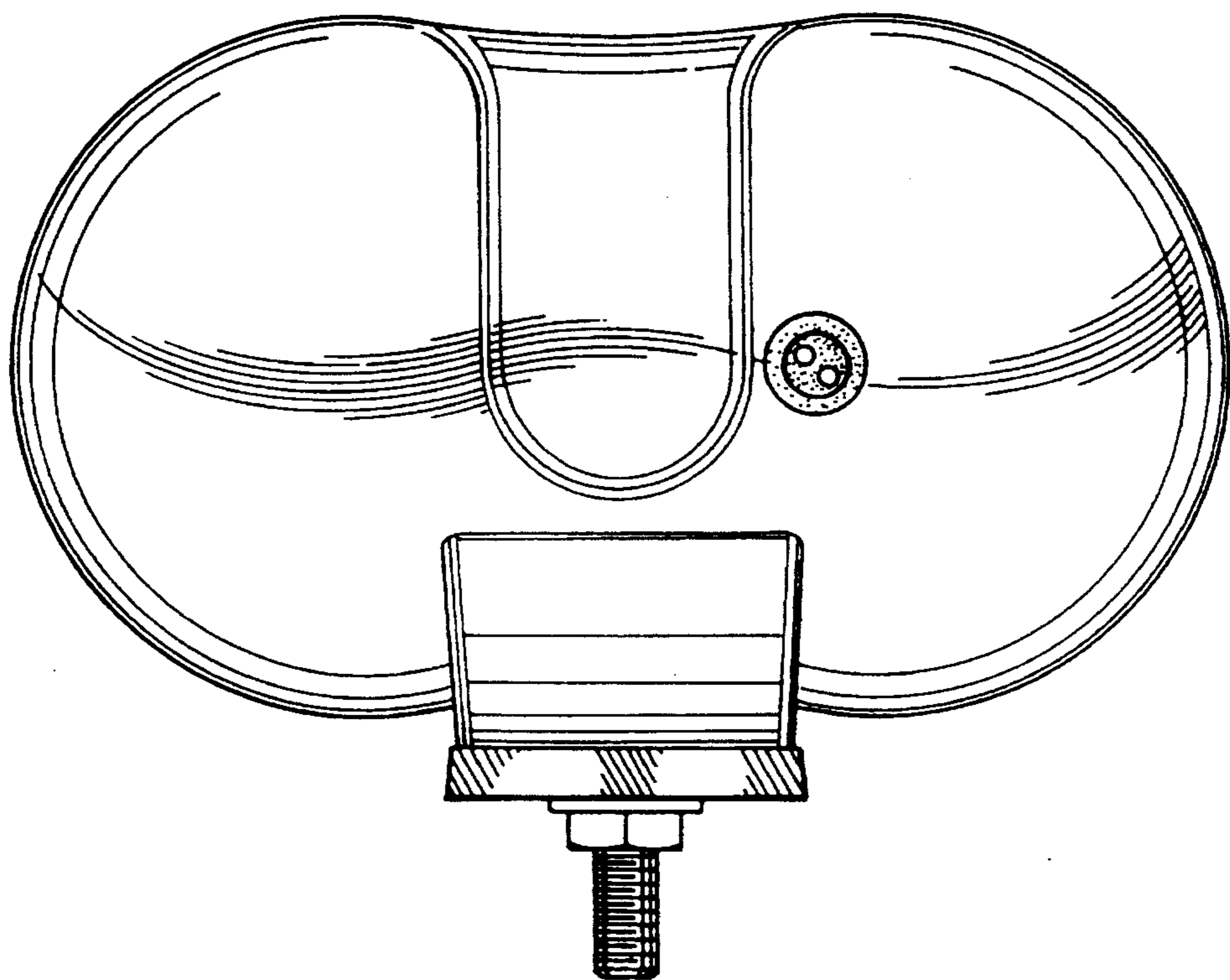


FIG. 3

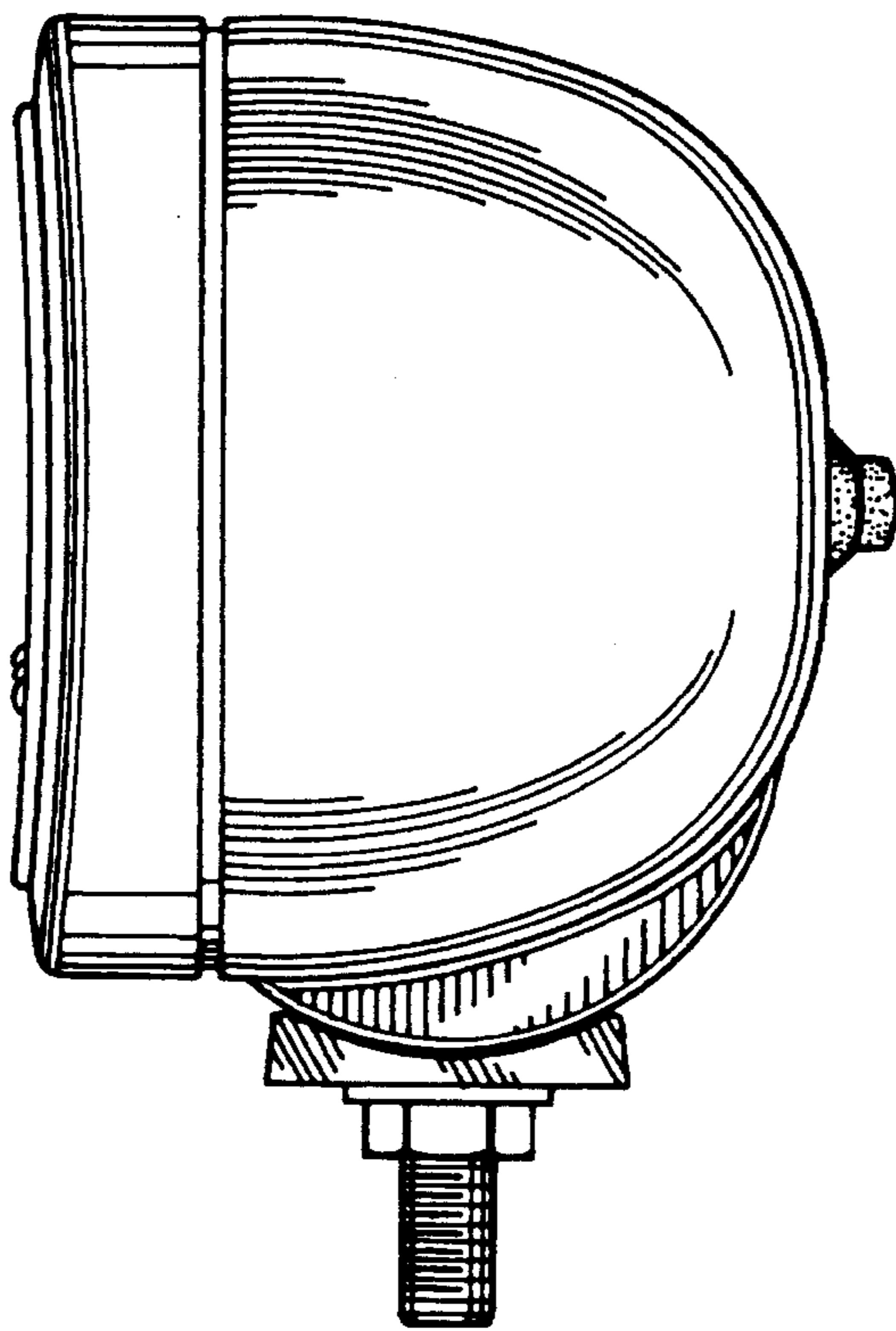


FIG. 4

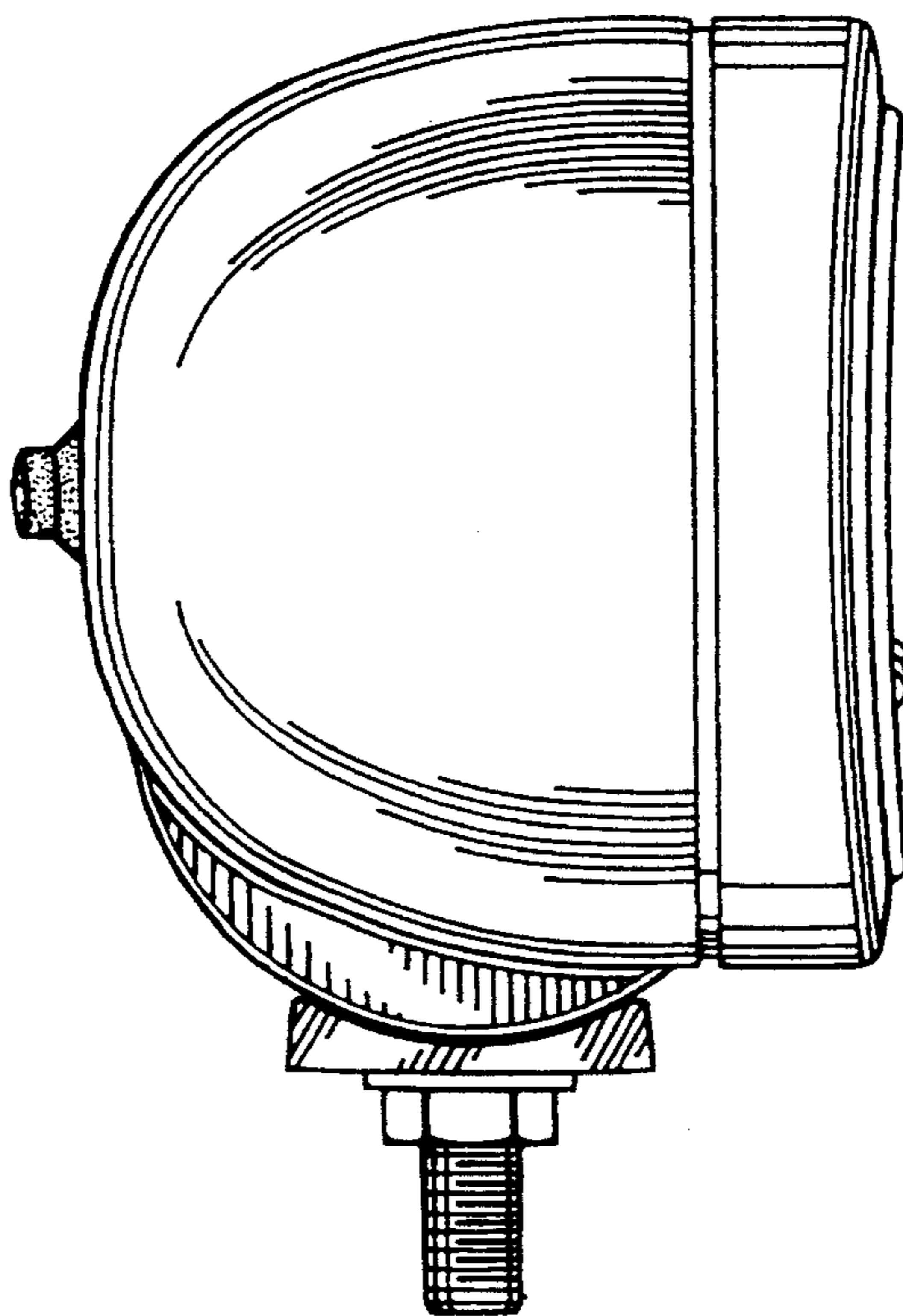


FIG. 5

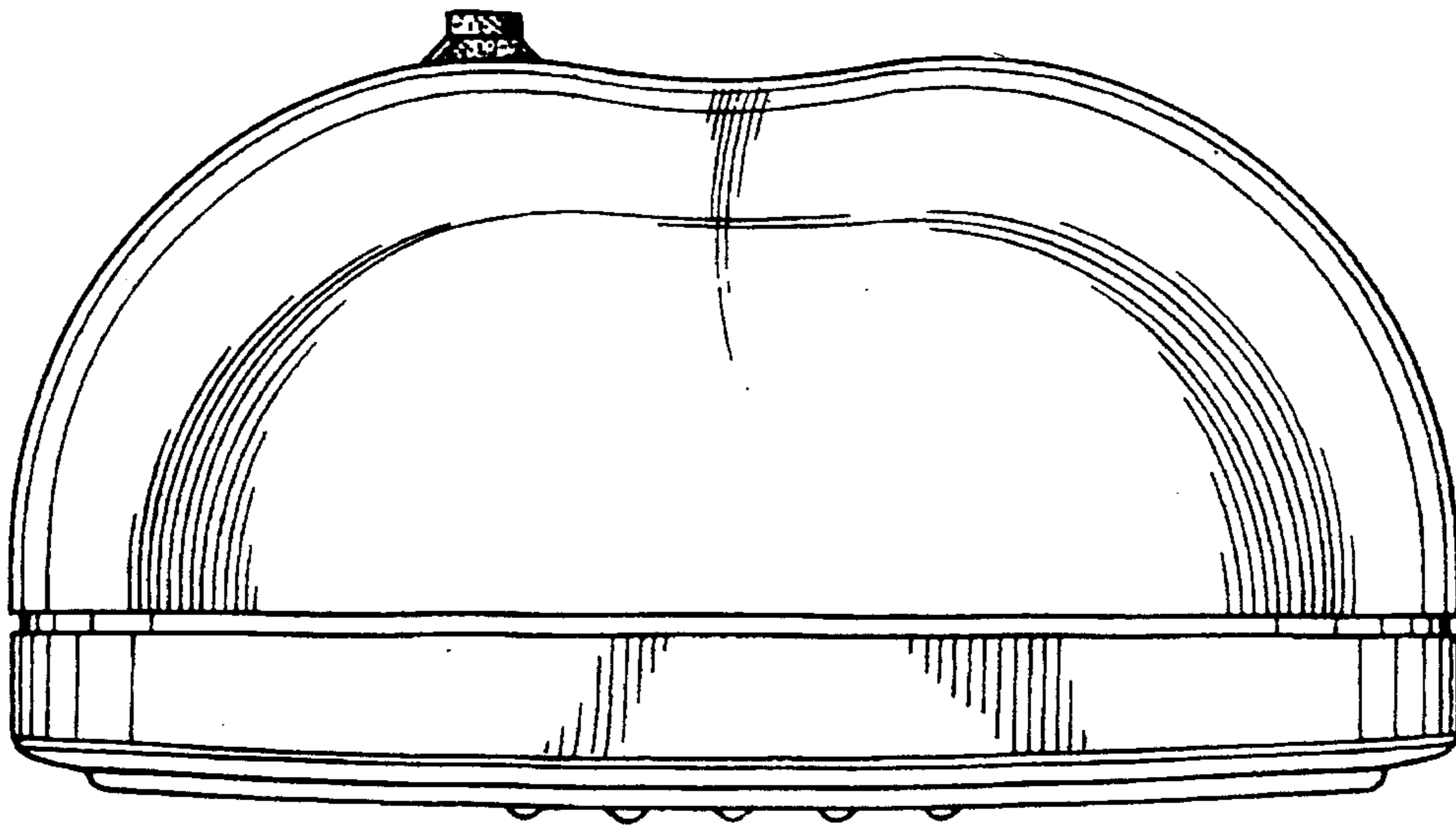


FIG. 6

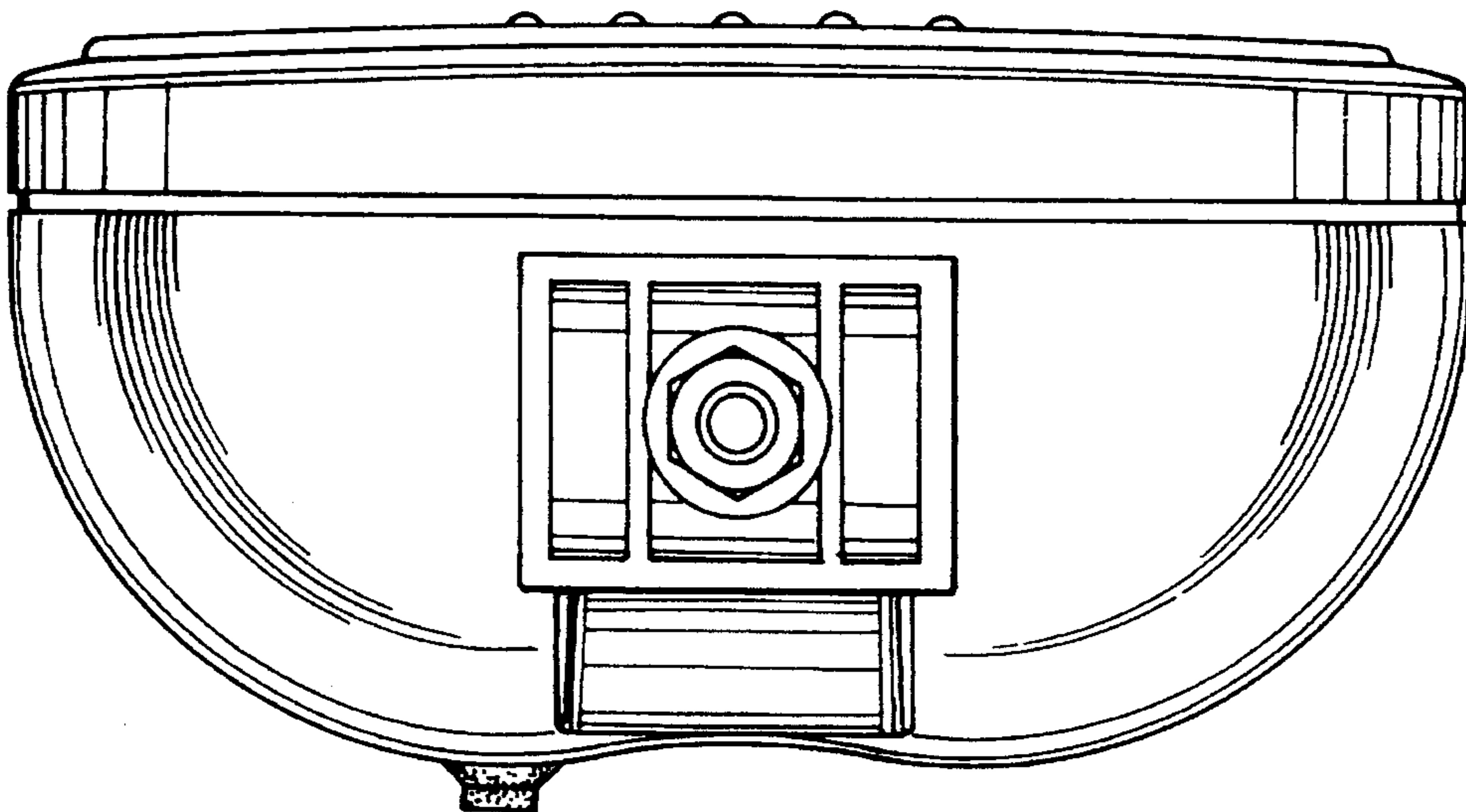


FIG. 7