



US00D372994S

United States Patent [19]

Ziaylek, Jr. et al.

[11] Patent Number: **Des. 372,994**

[45] Date of Patent: ****Aug. 20, 1996**

[54] **BOAT LIGHT**

[76] Inventors: **Theodore Ziaylek, Jr.**, 140 Riverview Dr.; **Michael P. Ziaylek**, 15 Cold Spring Ave., both of Yardley, Pa. 19067

[**] Term: **14 Years**

[21] Appl. No.: **39,105**

[22] Filed: **May 17, 1995**

[52] U.S. Cl. **D26/28**

[58] Field of Search D26/28-36, 72, D26/74, 85; 362/61, 80, 80.1, 82, 83, 83.2, 83.3, 267, 269, 361, 362, 364

[56] **References Cited**

U.S. PATENT DOCUMENTS

80,280	3/1951	Czechoslovakia	362/362
D. 254,634	4/1980	Ziaylek, Jr.	D26/36
D. 308,110	5/1990	Ziaylek, Jr.	D26/36
D. 315,417	3/1991	Ziaylek, Jr. et al.	D26/28

Primary Examiner—Marcus A. Jackson
Attorney, Agent, or Firm—Sperry, Zoda & Kane

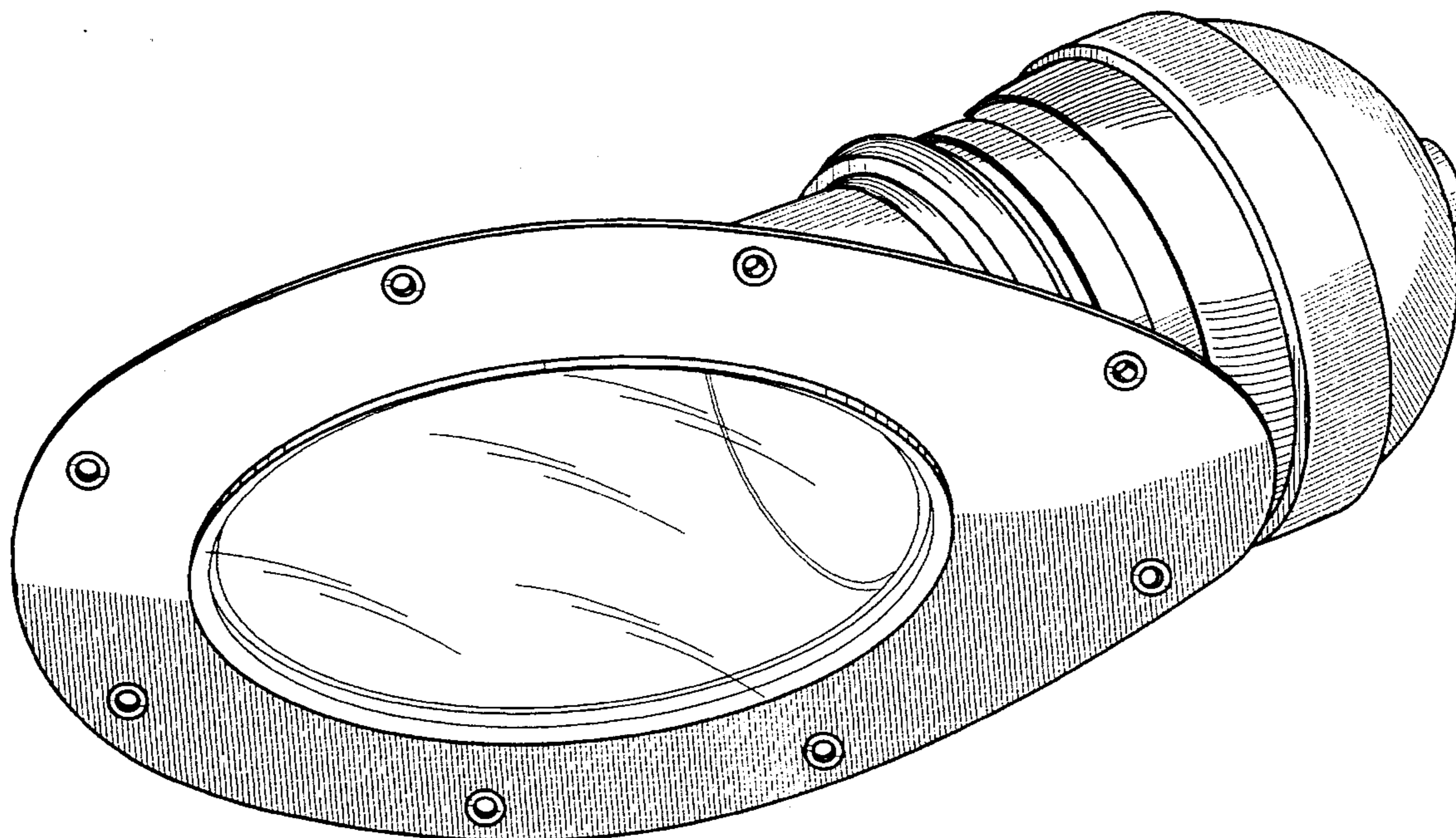
[57] **CLAIM**

The ornamental design for a boat light, as shown and described.

DESCRIPTION

FIG. 1 is a front perspective illustration embodying our new design;
FIG. 2 is a front perspective view thereof, with the lens omitted for clarity of illustration only;
FIG. 3 is a front plan view;
FIG. 4 is a bottom plan view;
FIG. 5 is a side plan view of FIG. 4 taken from the right;
FIG. 6 is a side plan view of FIG. 4 taken from the left;
FIG. 7 is a top plan; and,
FIG. 8 is a rear plan.

1 Claim, 3 Drawing Sheets



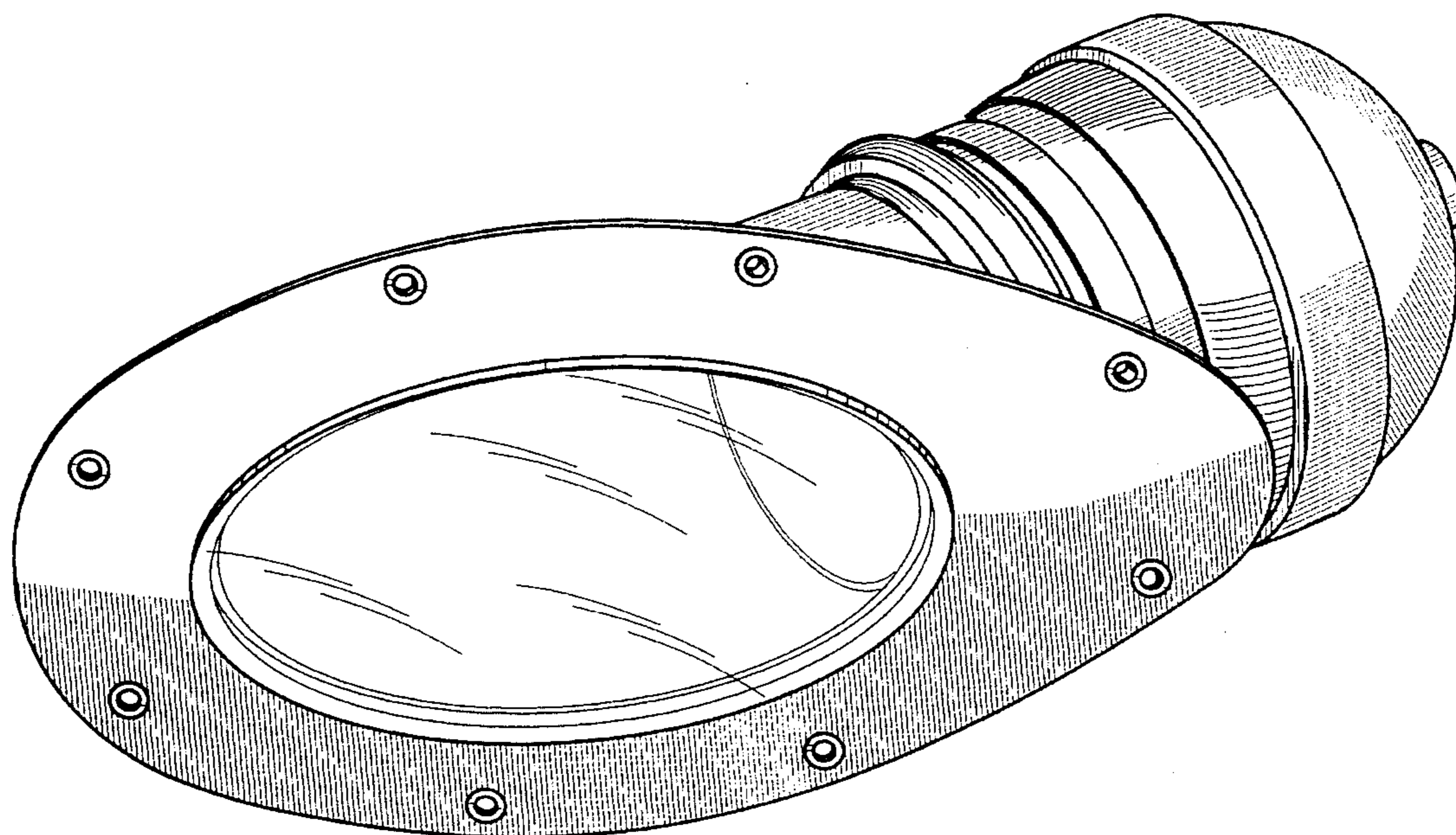


FIG. 1

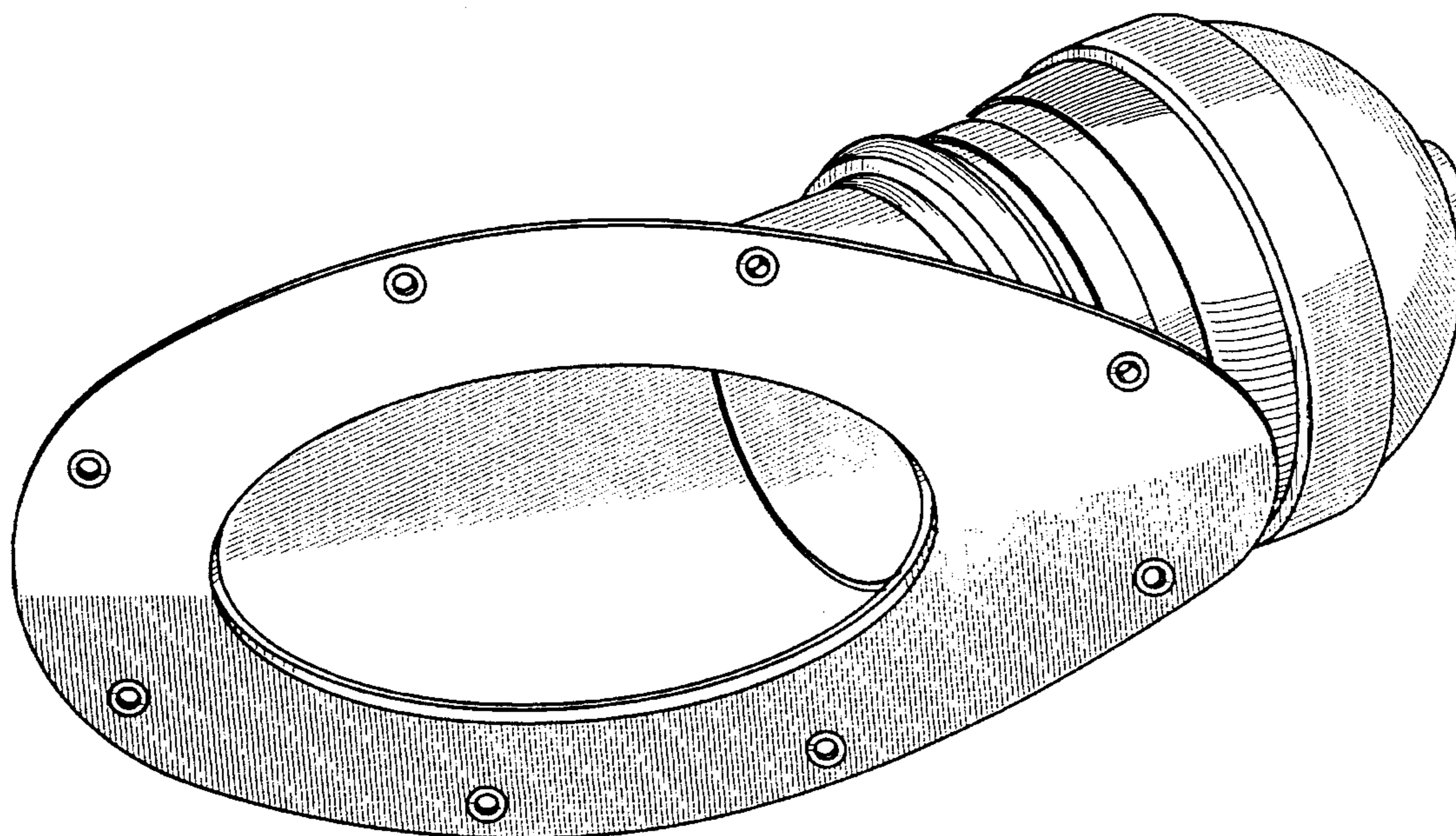


FIG. 2

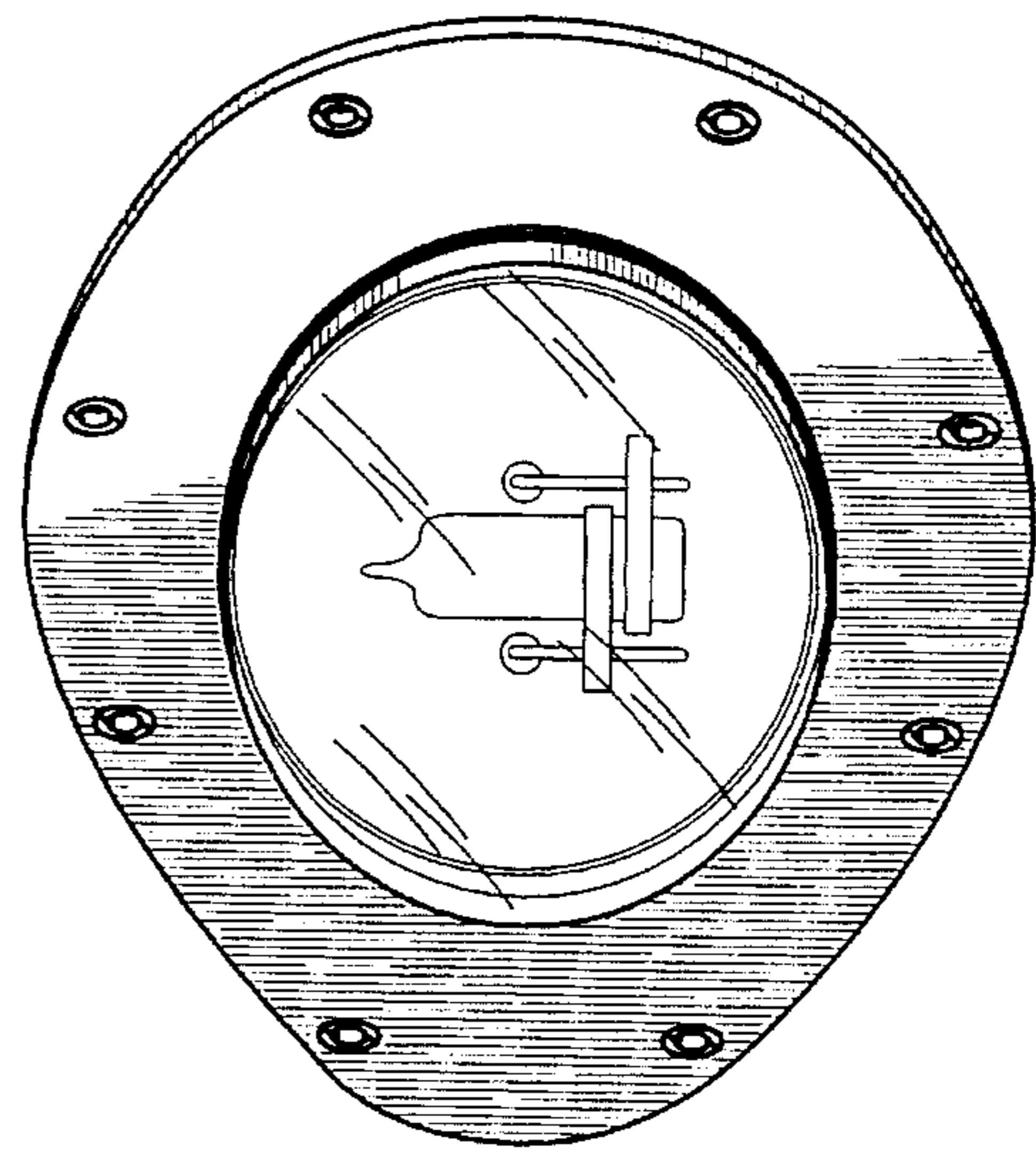


FIG. 3

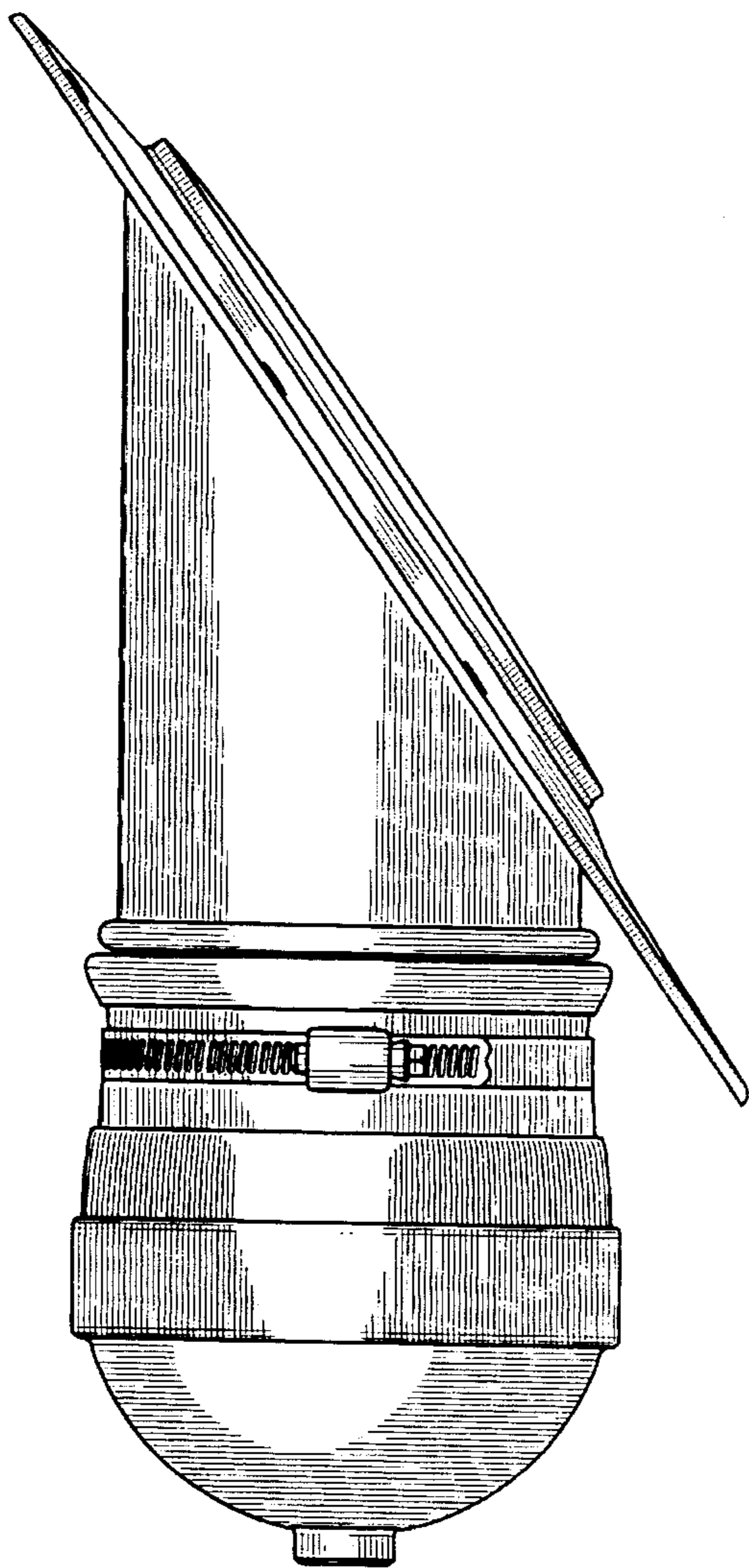


FIG. 5

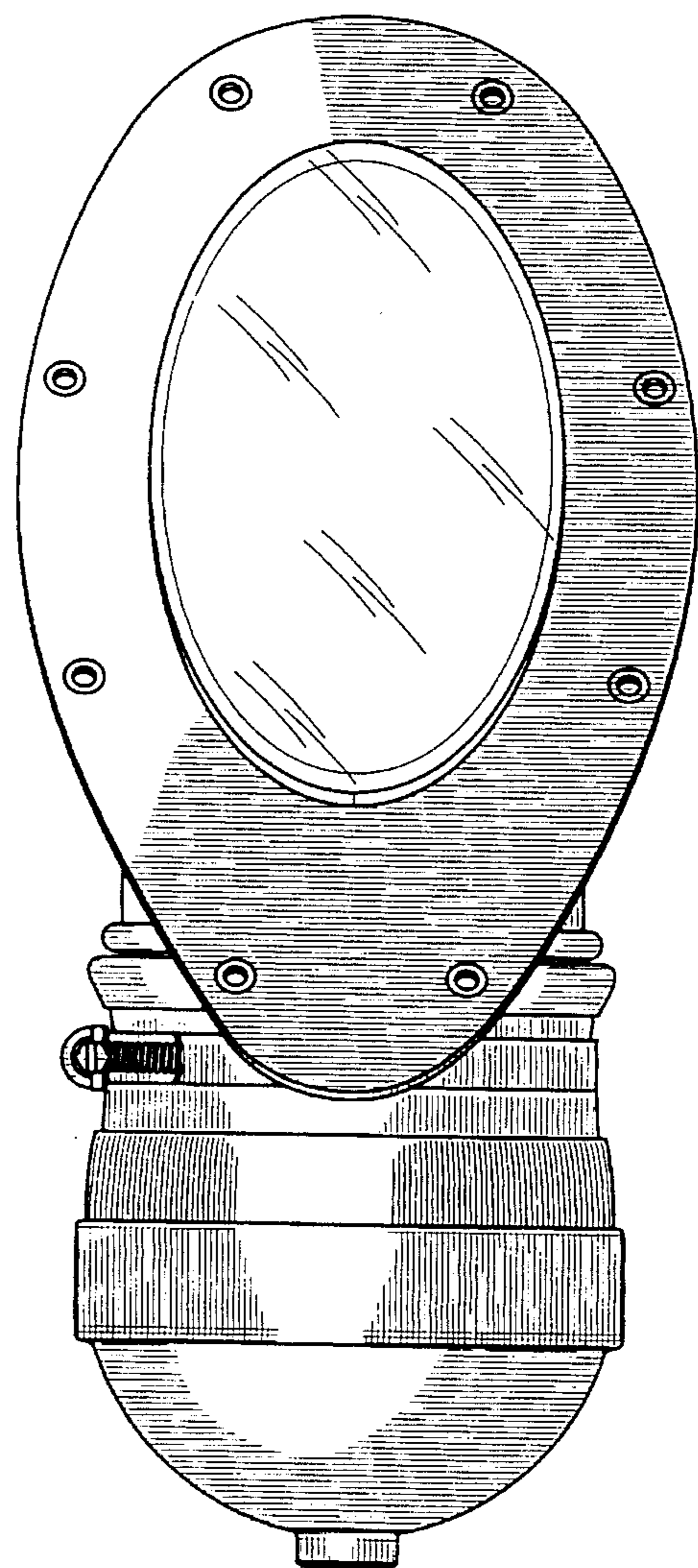


FIG. 4

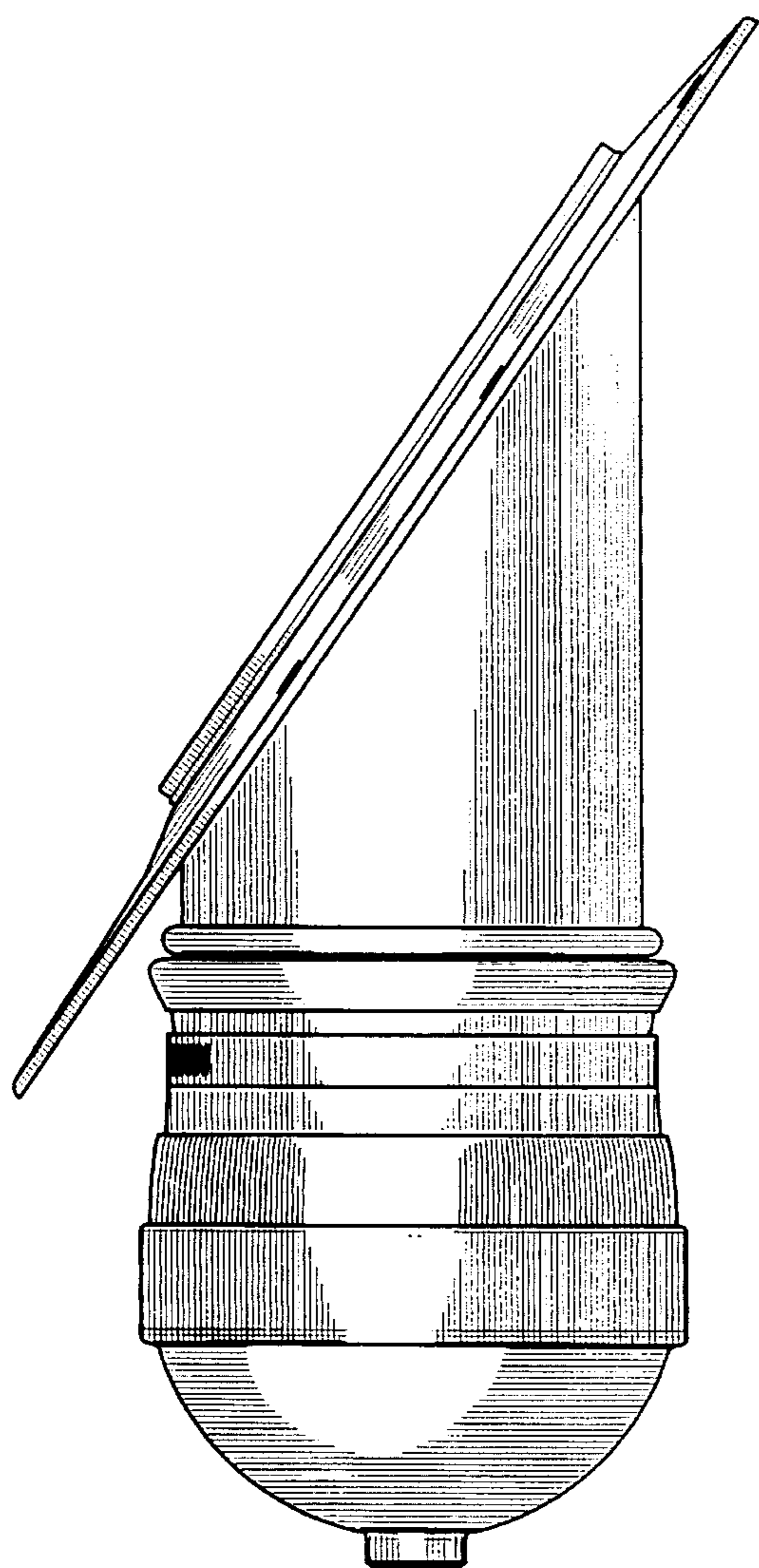


FIG. 6

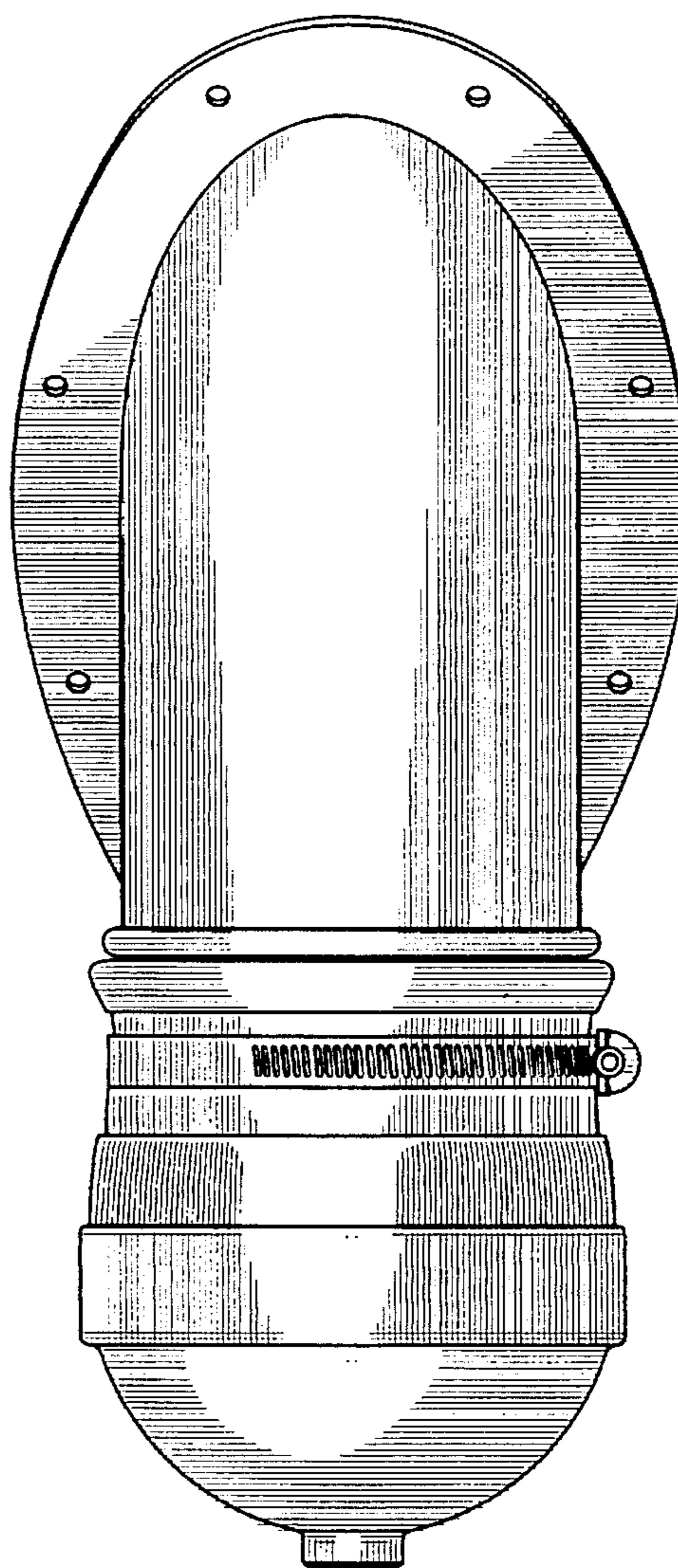


FIG. 7

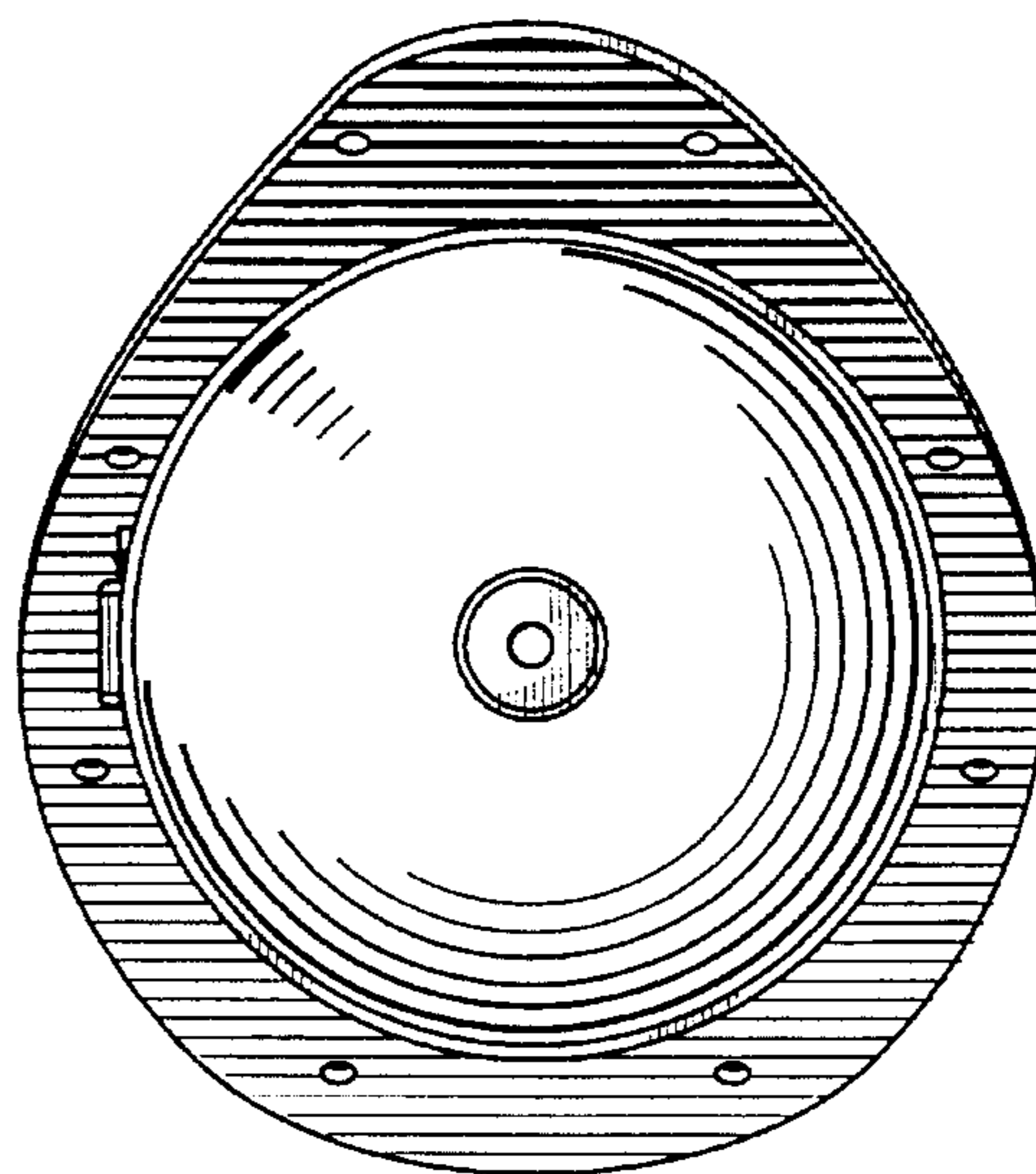


FIG. 8