



US00D372993S

United States Patent [19]

Murata

[11] Patent Number: **Des. 372,993**

[45] Date of Patent: ****Aug. 20, 1996**

[54] **DECORATIVE LAMP**

[75] Inventor: **Kazuaki Murata**, Tokyo, Japan

[73] Assignee: **Moriyama Sangyo Kabushiki Kaisha**, Tokyo, Japan

[**] Term: **14 Years**

[21] Appl. No.: **40,153**

[22] Filed: **Jun. 12, 1995**

Related U.S. Application Data

[62] Division of Ser. No. 17,909, Jan. 25, 1994, Pat. No. Des. 363,560.

[52] U.S. Cl. **D26/25**

[58] Field of Search D26/25; 362/227, 362/236, 237, 238, 240, 249, 250, 252, 806, 226

[56] References Cited

U.S. PATENT DOCUMENTS

Re. 19,836	1/1936	Graf	362/252 X
D. 336,529	6/1993	Murata	D26/25
D. 340,299	10/1993	Murata	D26/25
D. 352,563	11/1994	Murata	D26/25
4,783,726	11/1988	Wang	362/252

Primary Examiner—Susan J. Lucas

Attorney, Agent, or Firm—Spencer & Frank

[57] CLAIM

The ornamental design for the decorative lamp, as shown and described.

DESCRIPTION

FIG. 1 is a perspective view of the decorative lamp seen from its front showing my new design;
 FIG. 2 is a front elevational view thereof;
 FIG. 3 is a rear view thereof;
 FIG. 4 is a plan view thereof;
 FIG. 5 is a bottom view thereof;
 FIG. 6 is a left-hand side view thereof;
 FIG. 7 is a right-hand side; and,
 FIG. 8 is a perspective view thereof being in use;
 FIG. 9 is a perspective view of a second embodiment seen from its front showing my new design;
 FIG. 10 is a front elevational view thereof;
 FIG. 11 is a rear view thereof;
 FIG. 12 is a plan view thereof;
 FIG. 13 is a bottom view thereof;
 FIG. 14 is a left-hand side view thereof;
 FIG. 15 is a right-hand side view thereof; and,
 FIG. 16 is a perspective view thereof being in use.
 The broken lines are shown for illustrative purposes only and form no part of the claimed design.

1 Claim, 8 Drawing Sheets

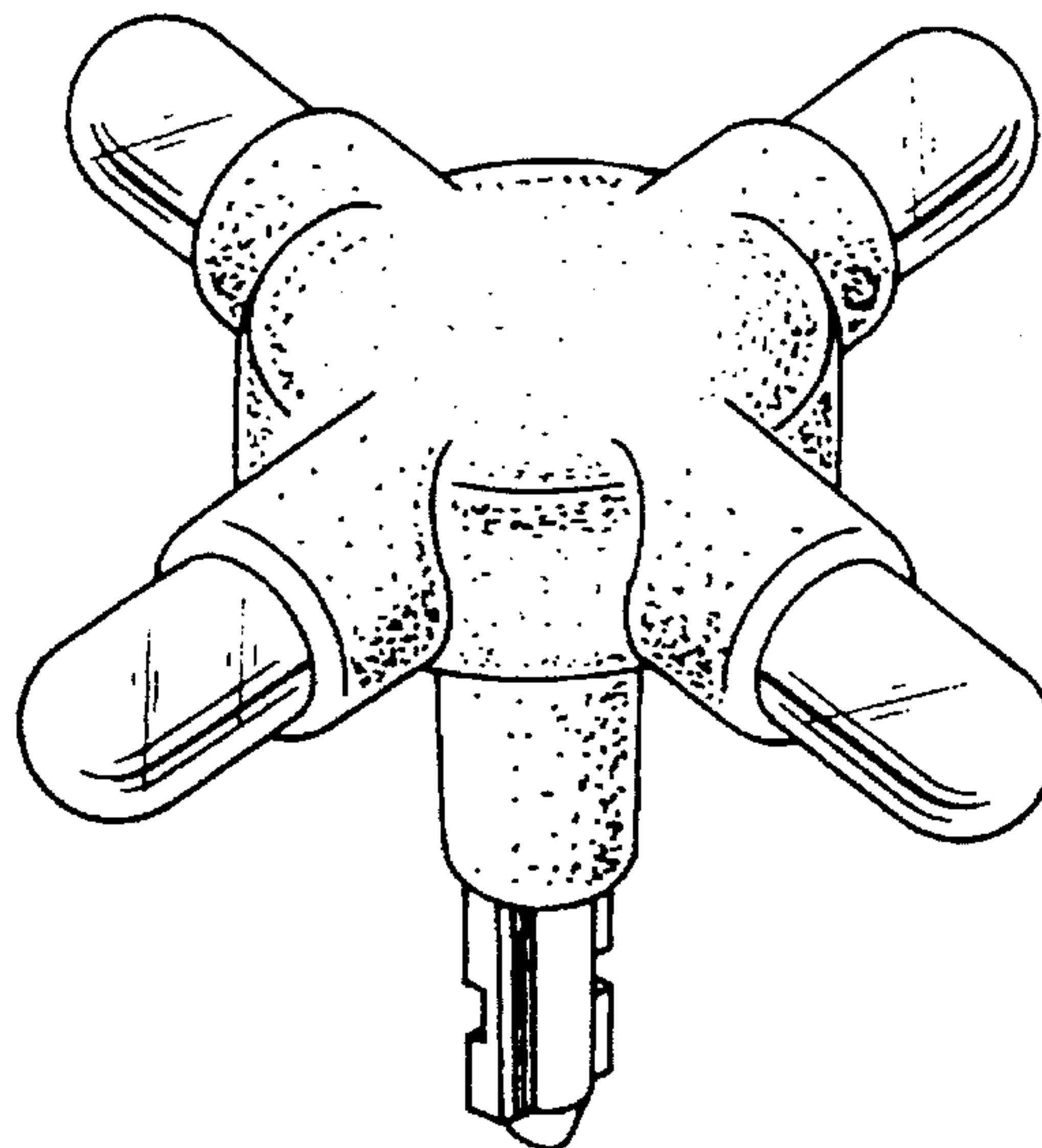
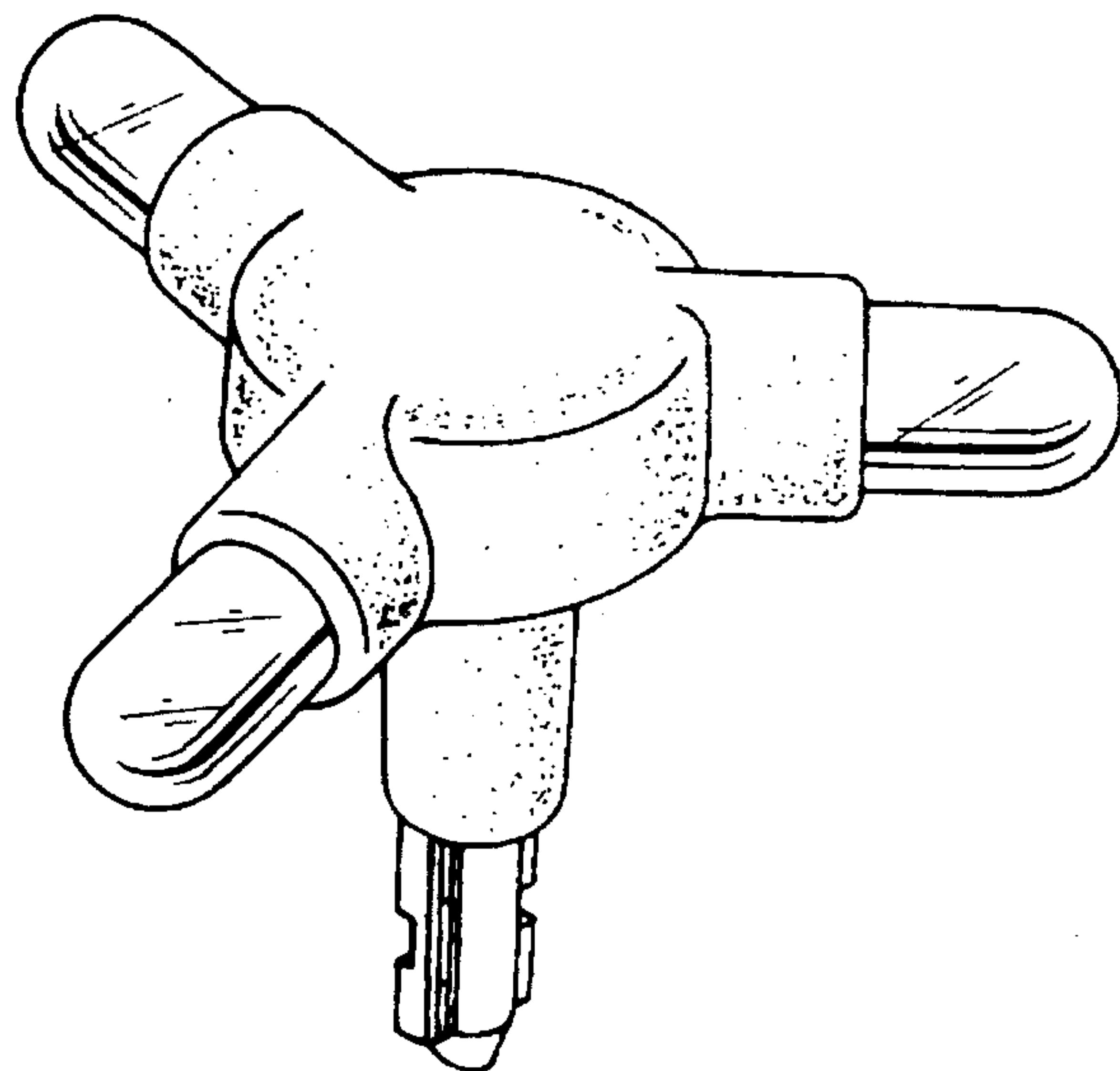


FIG. 1

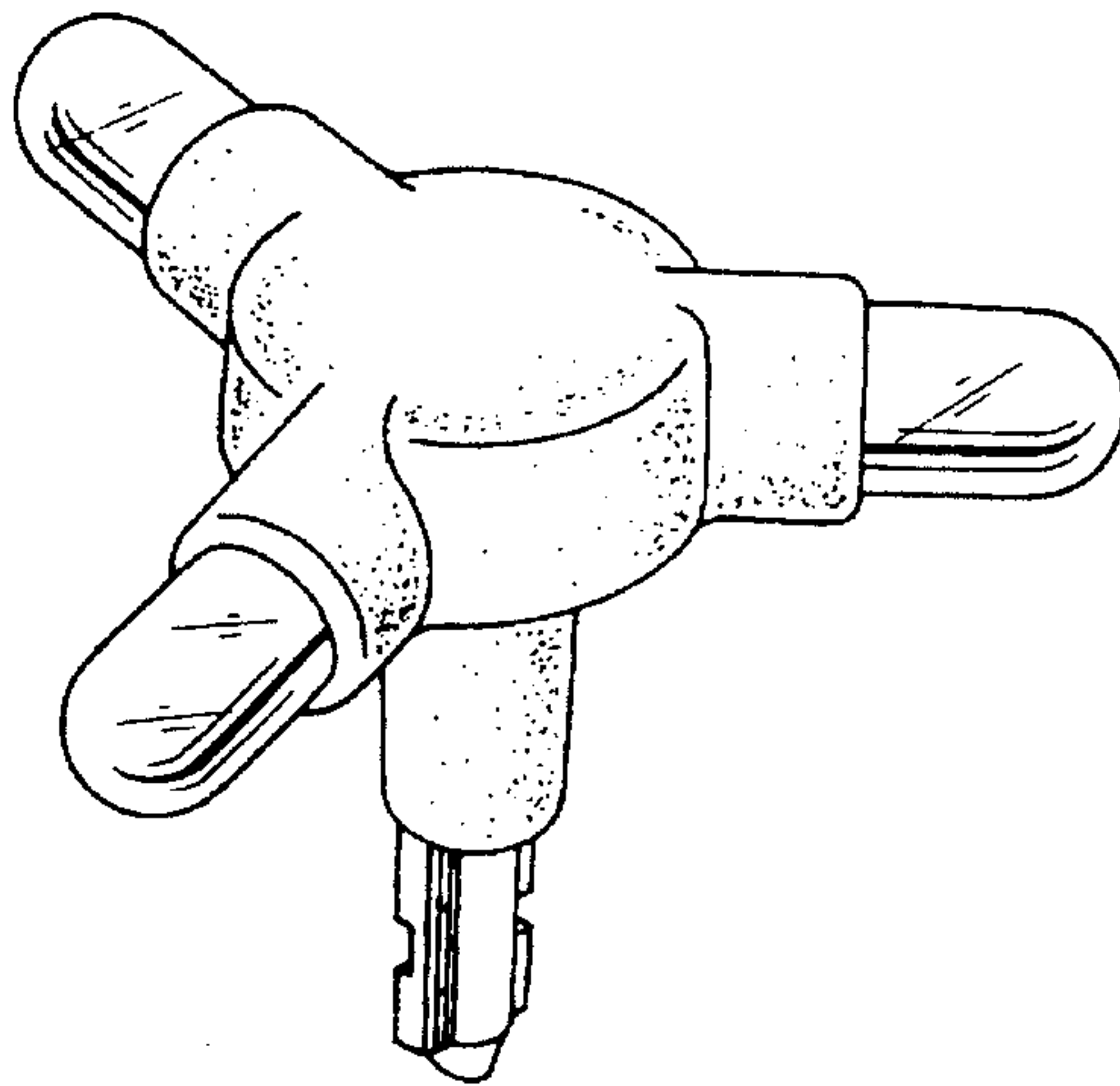


FIG. 2

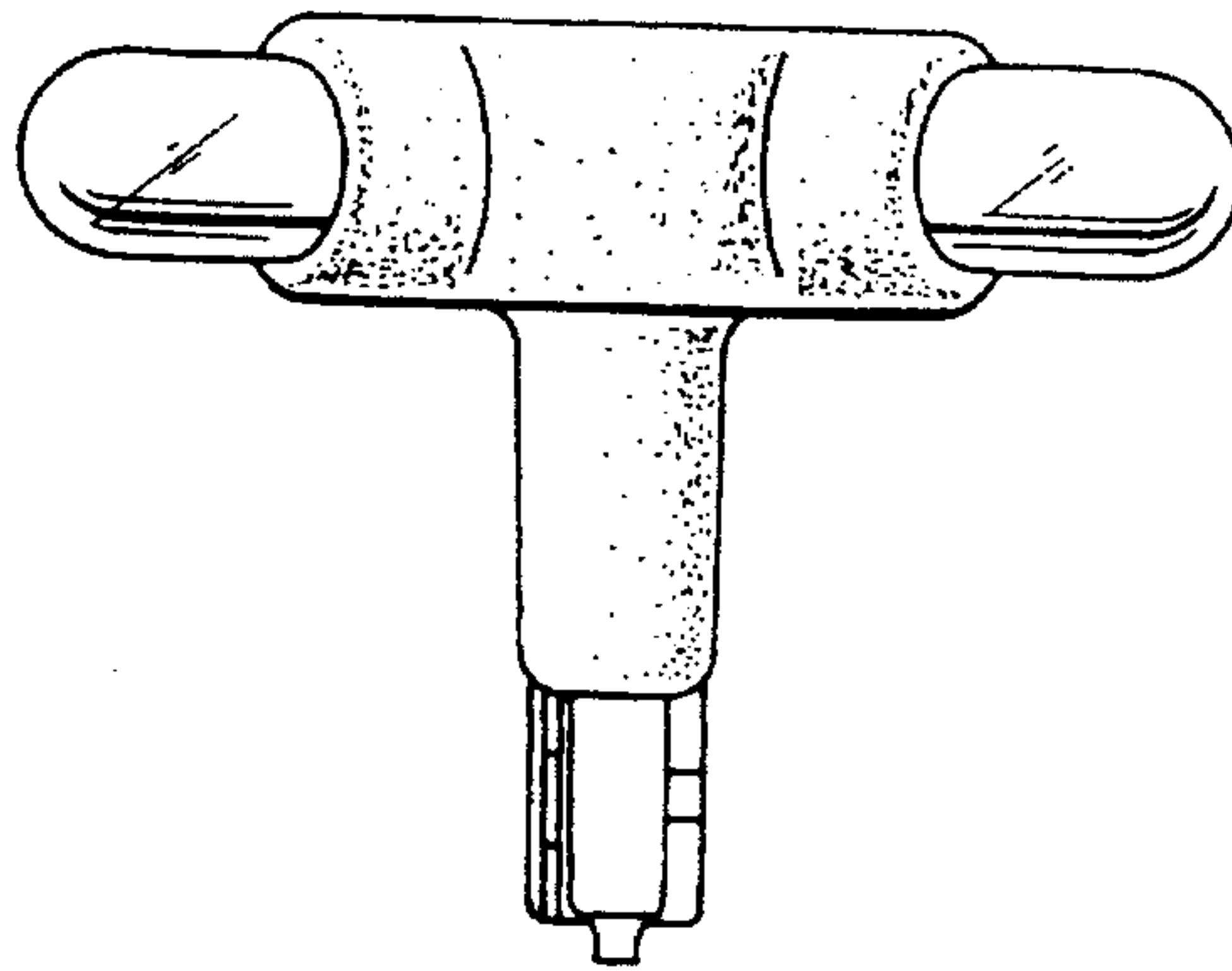


FIG. 3

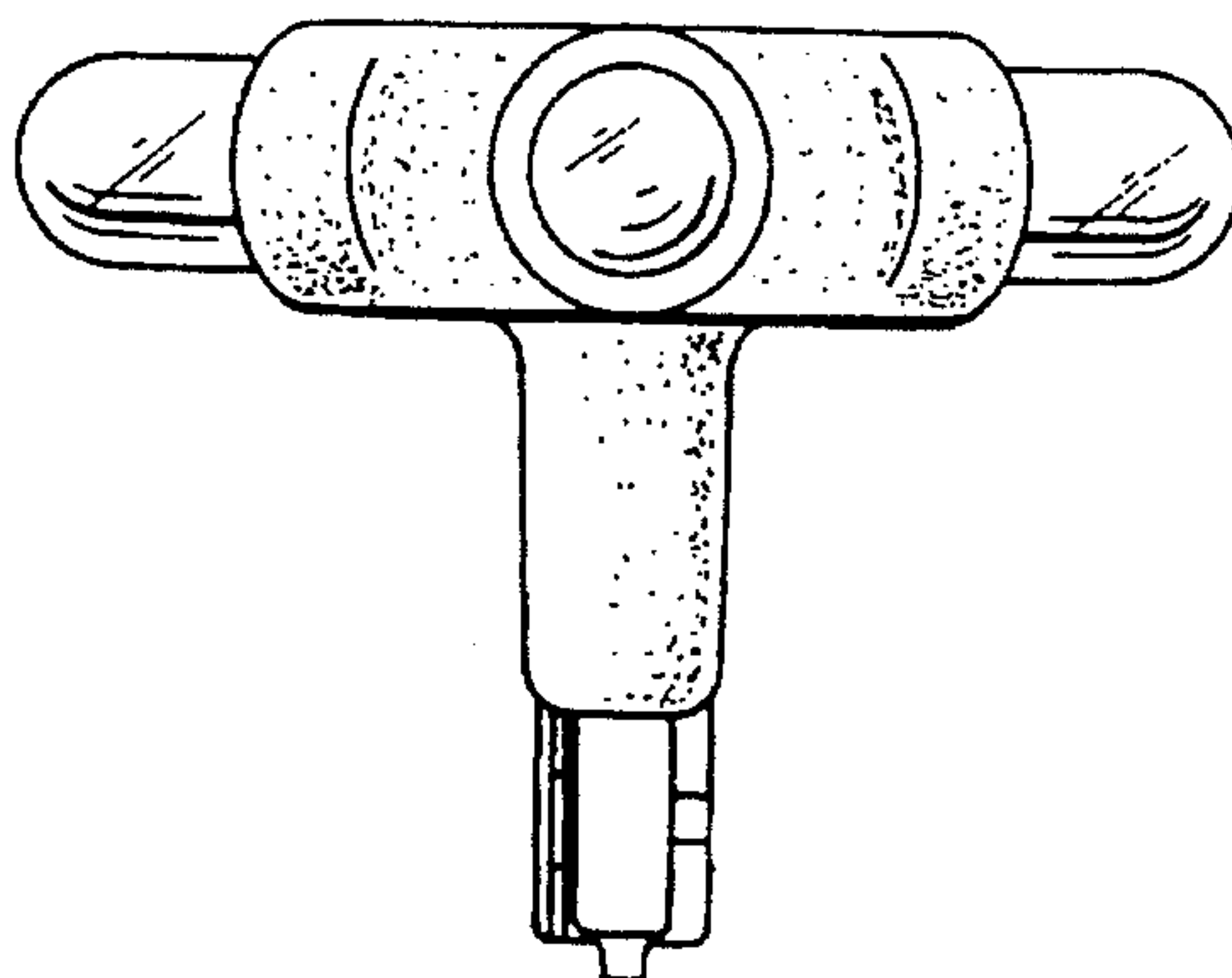


FIG. 4

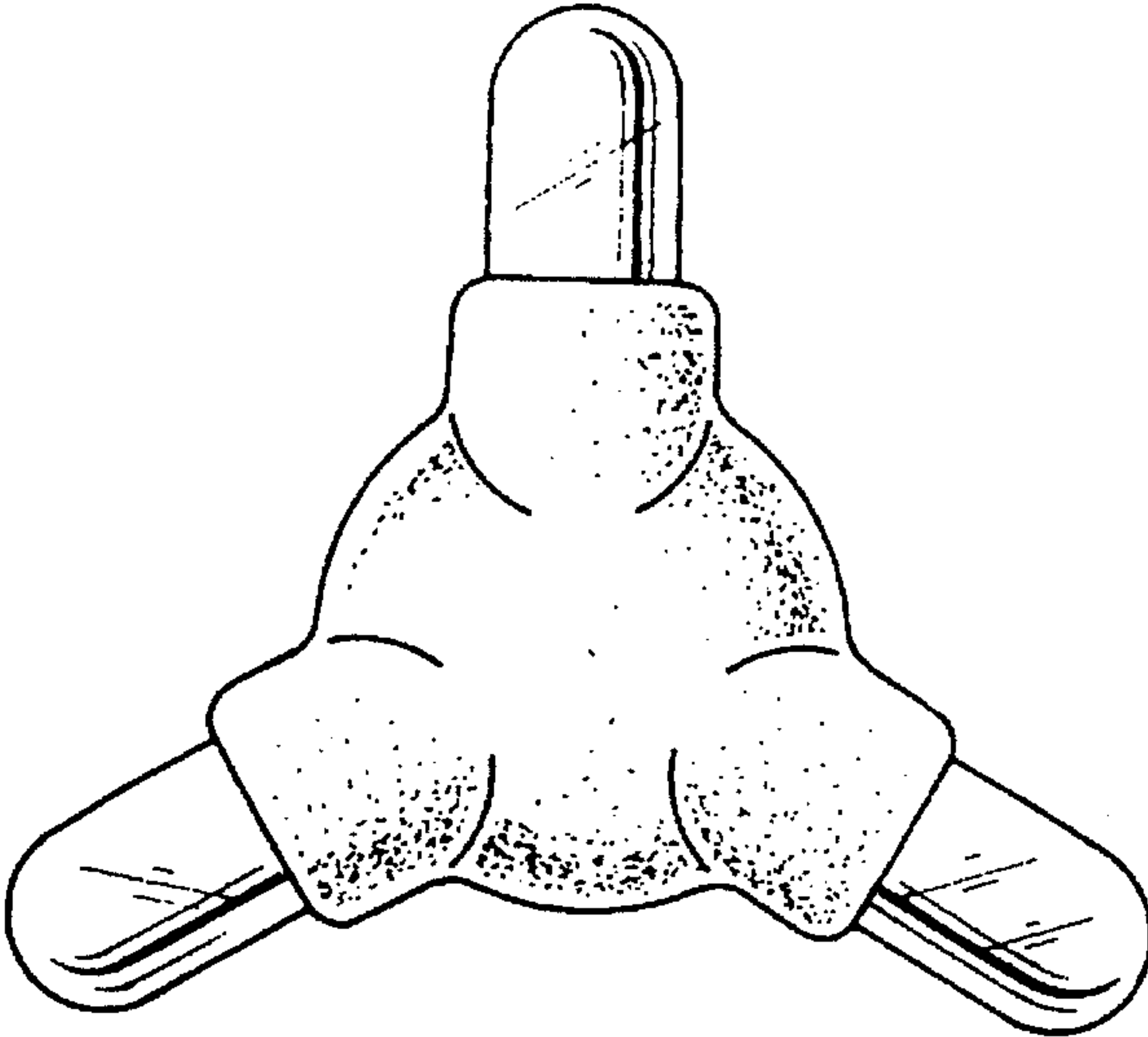


FIG. 5

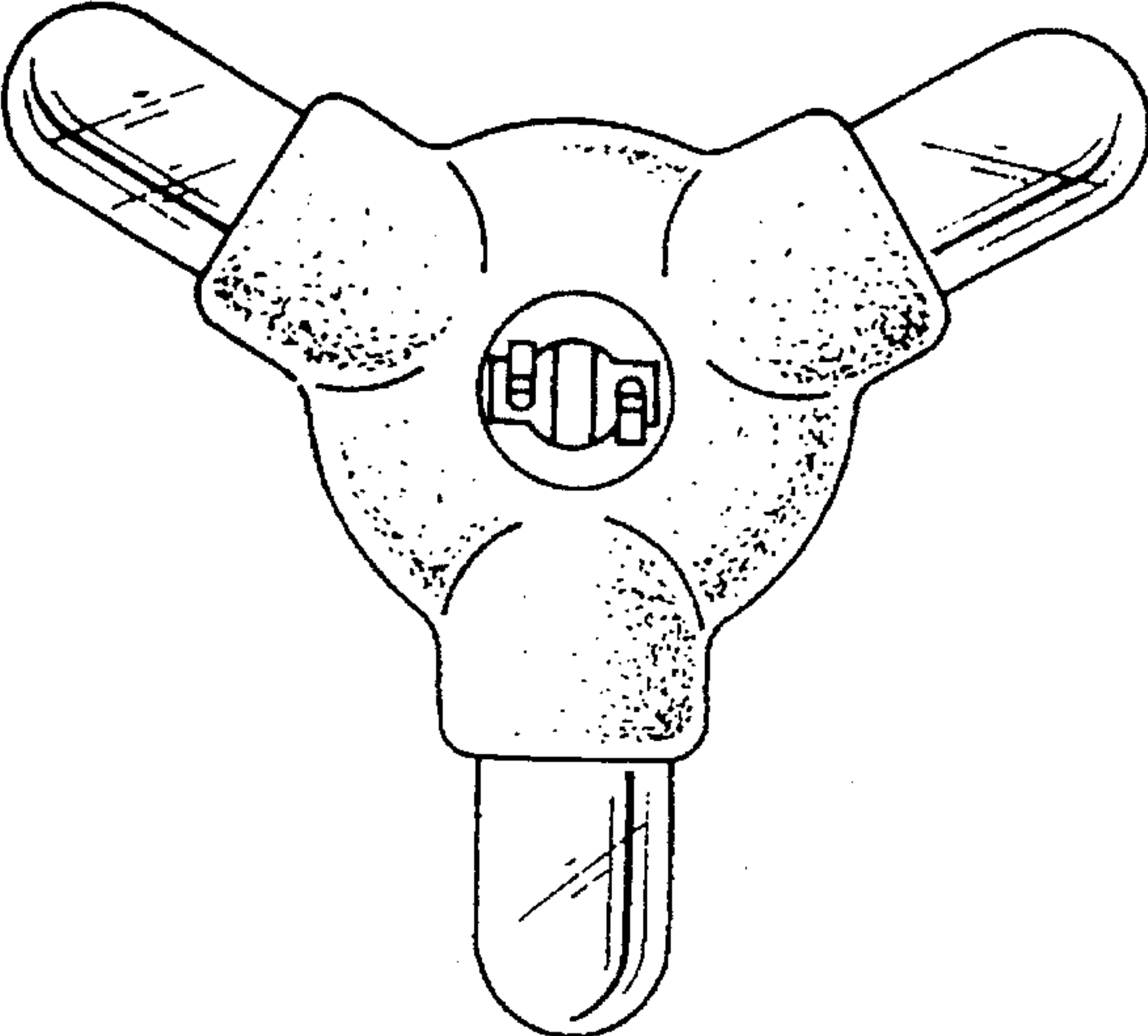


FIG. 6

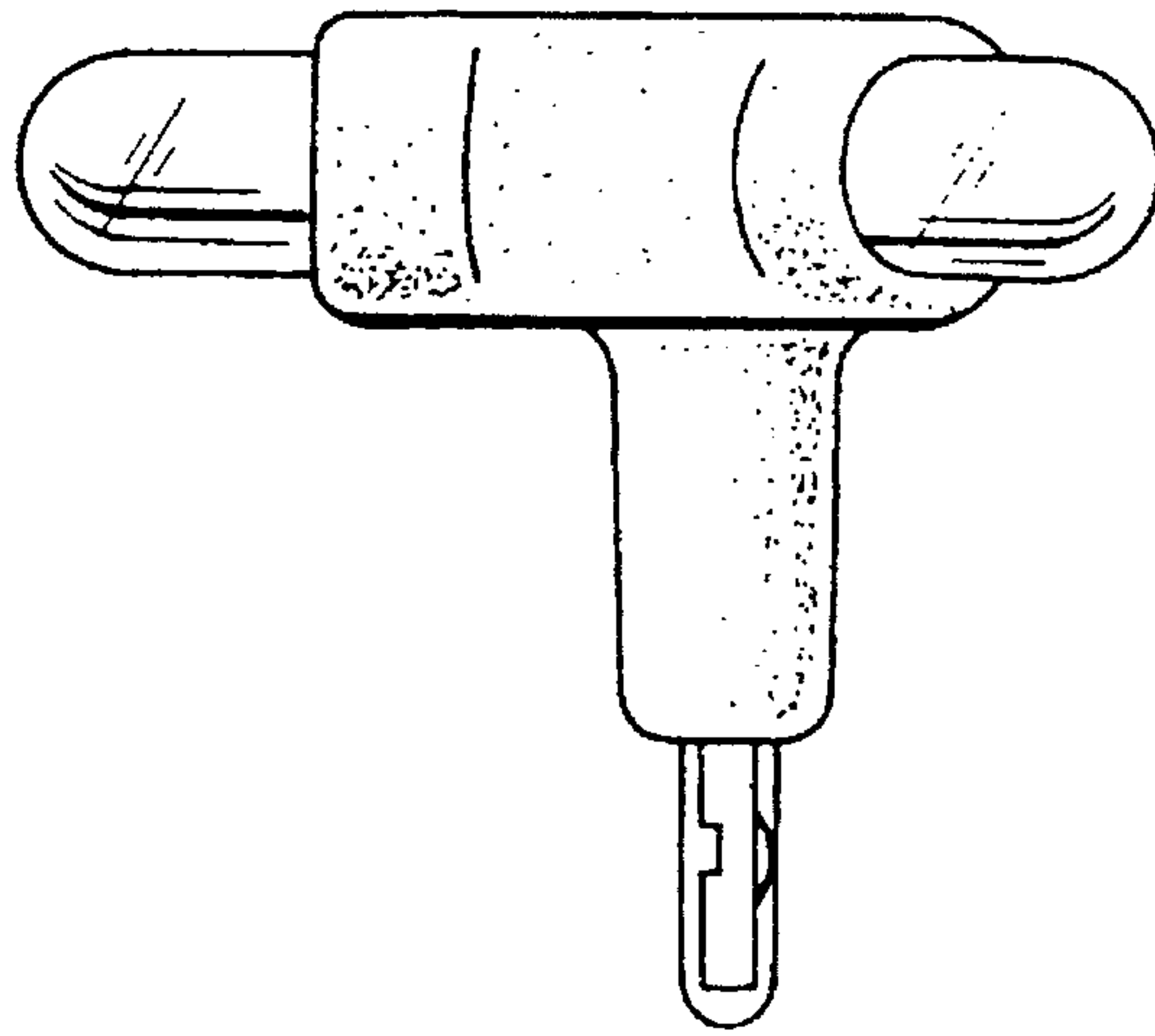


FIG. 7

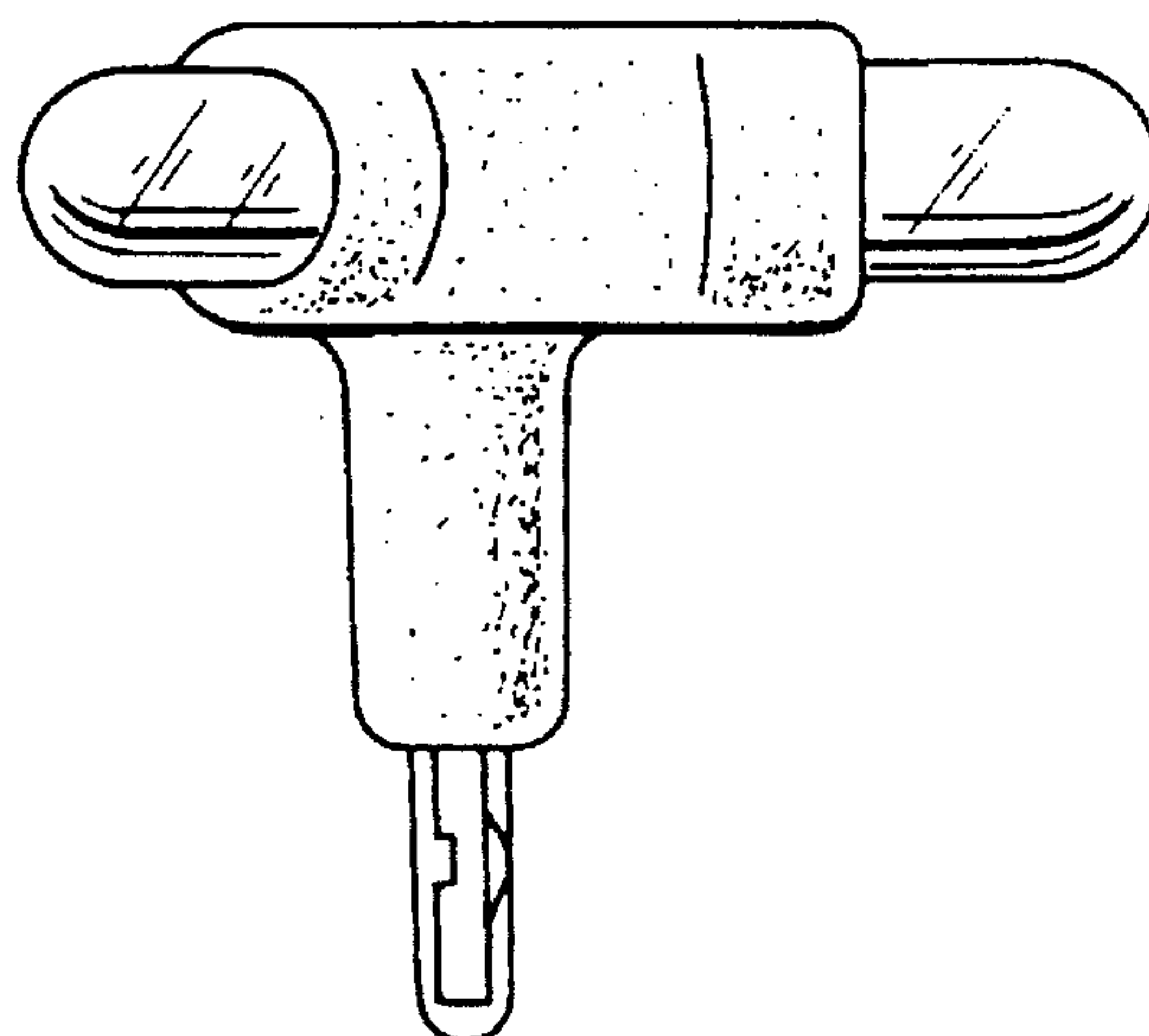


FIG. 8

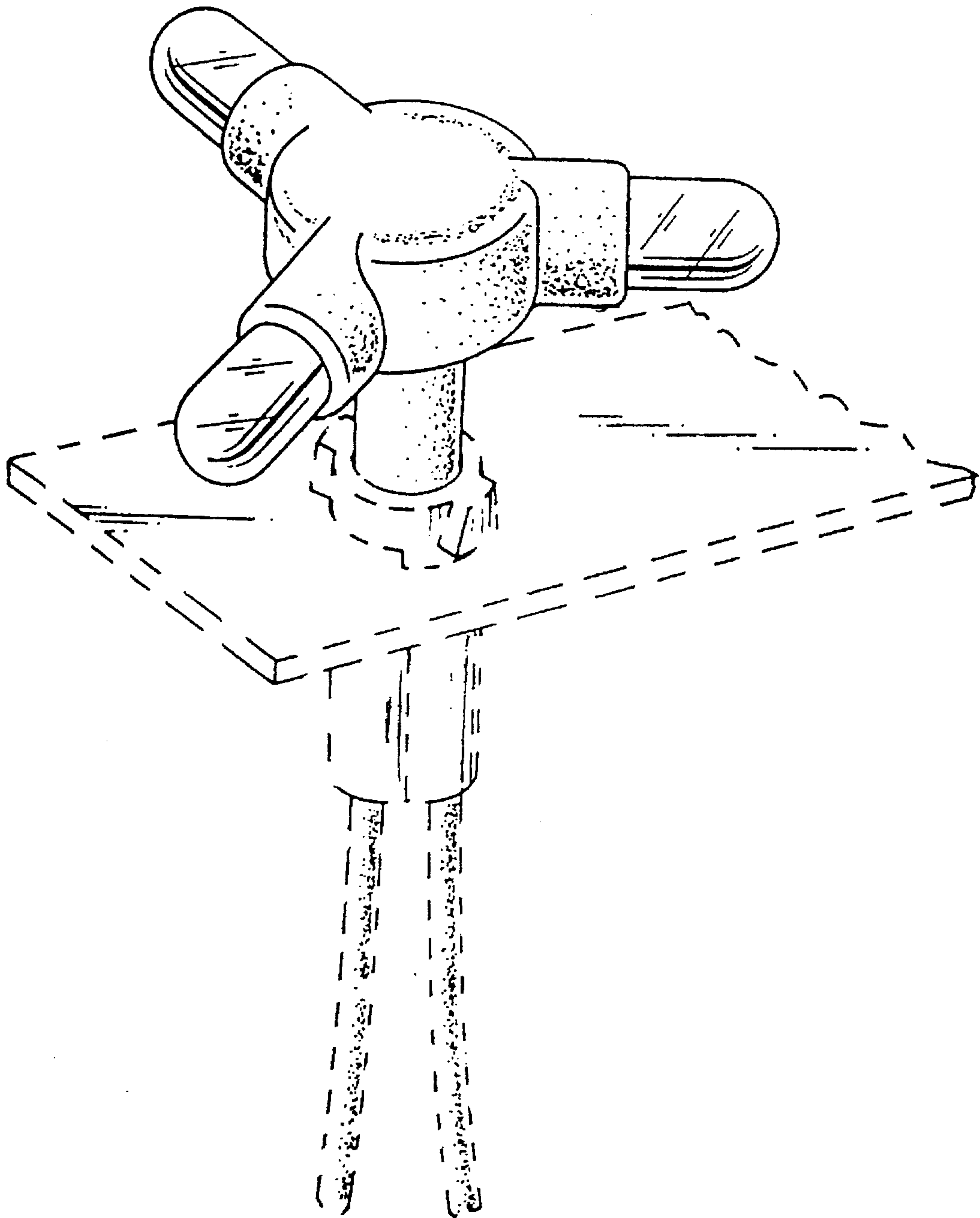


FIG. 9

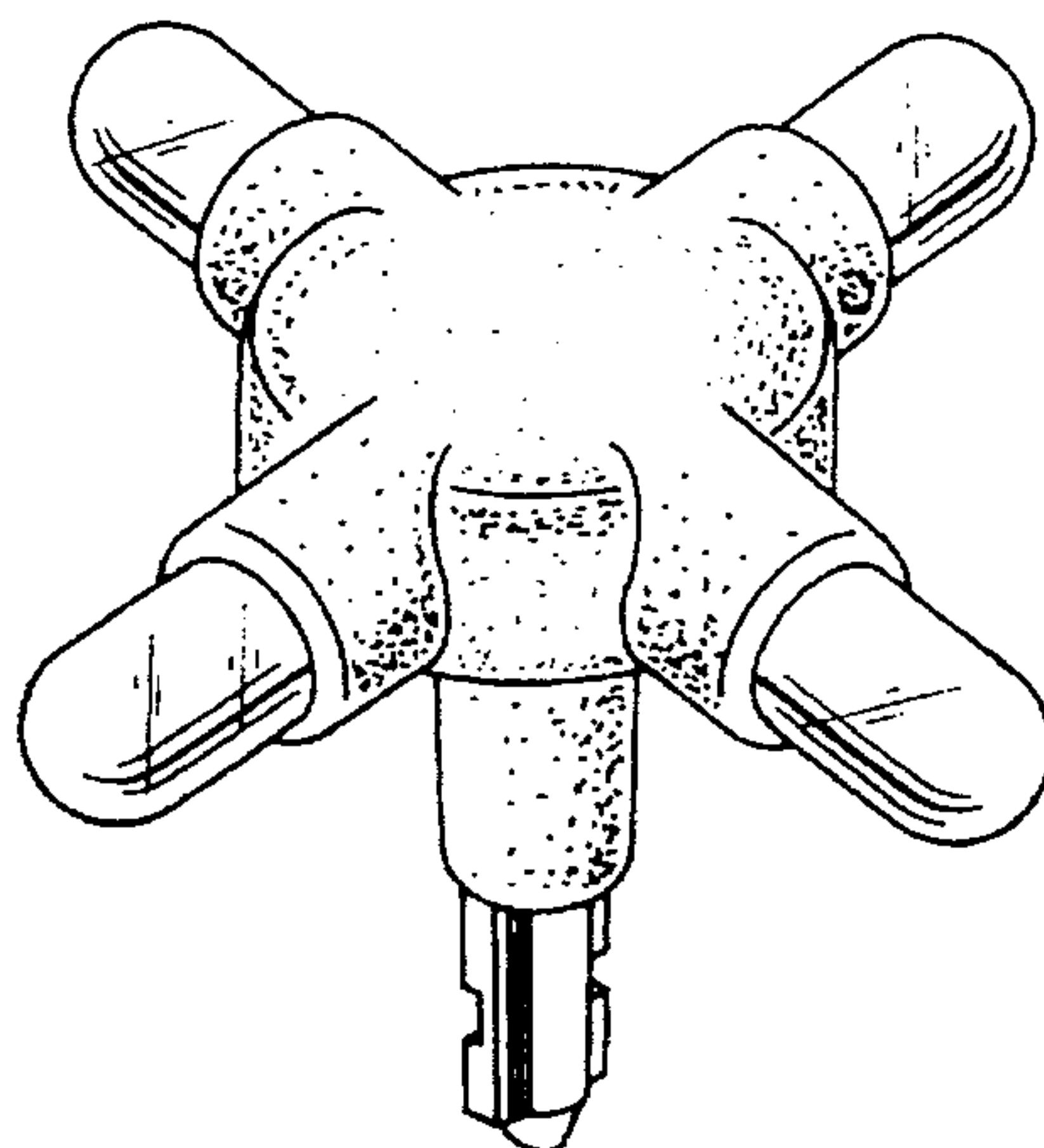


FIG. 10

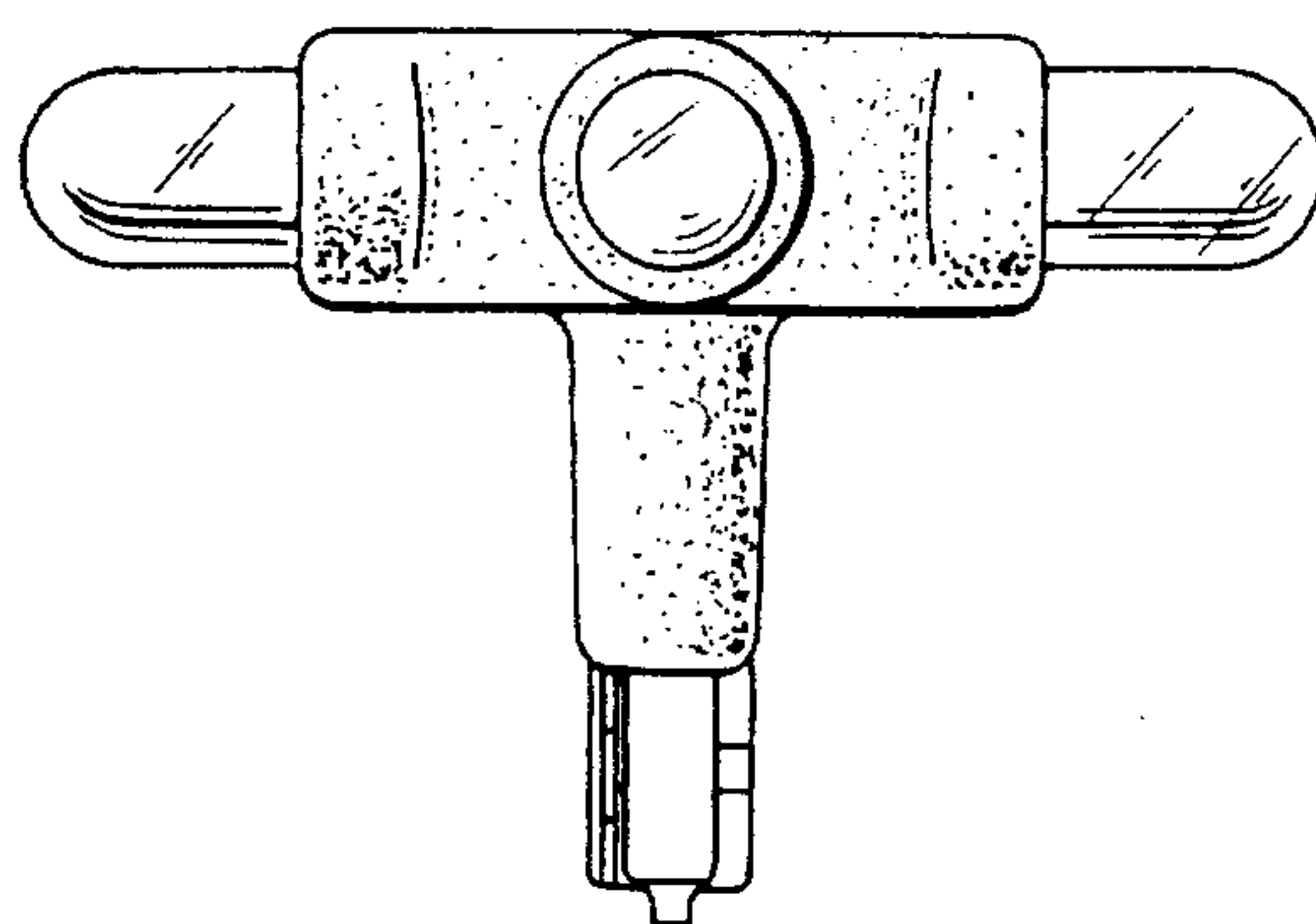


FIG. 11

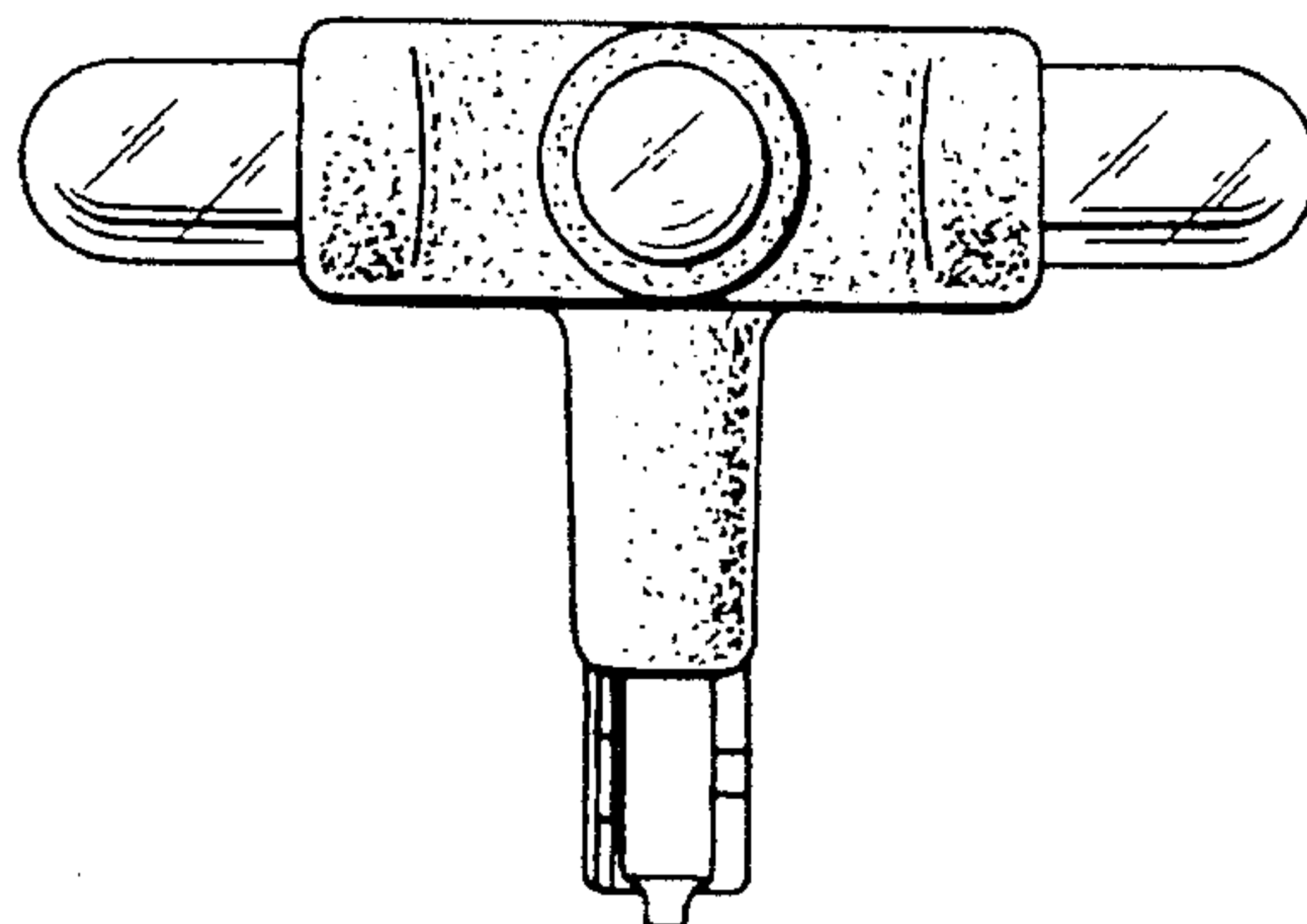


FIG. 12

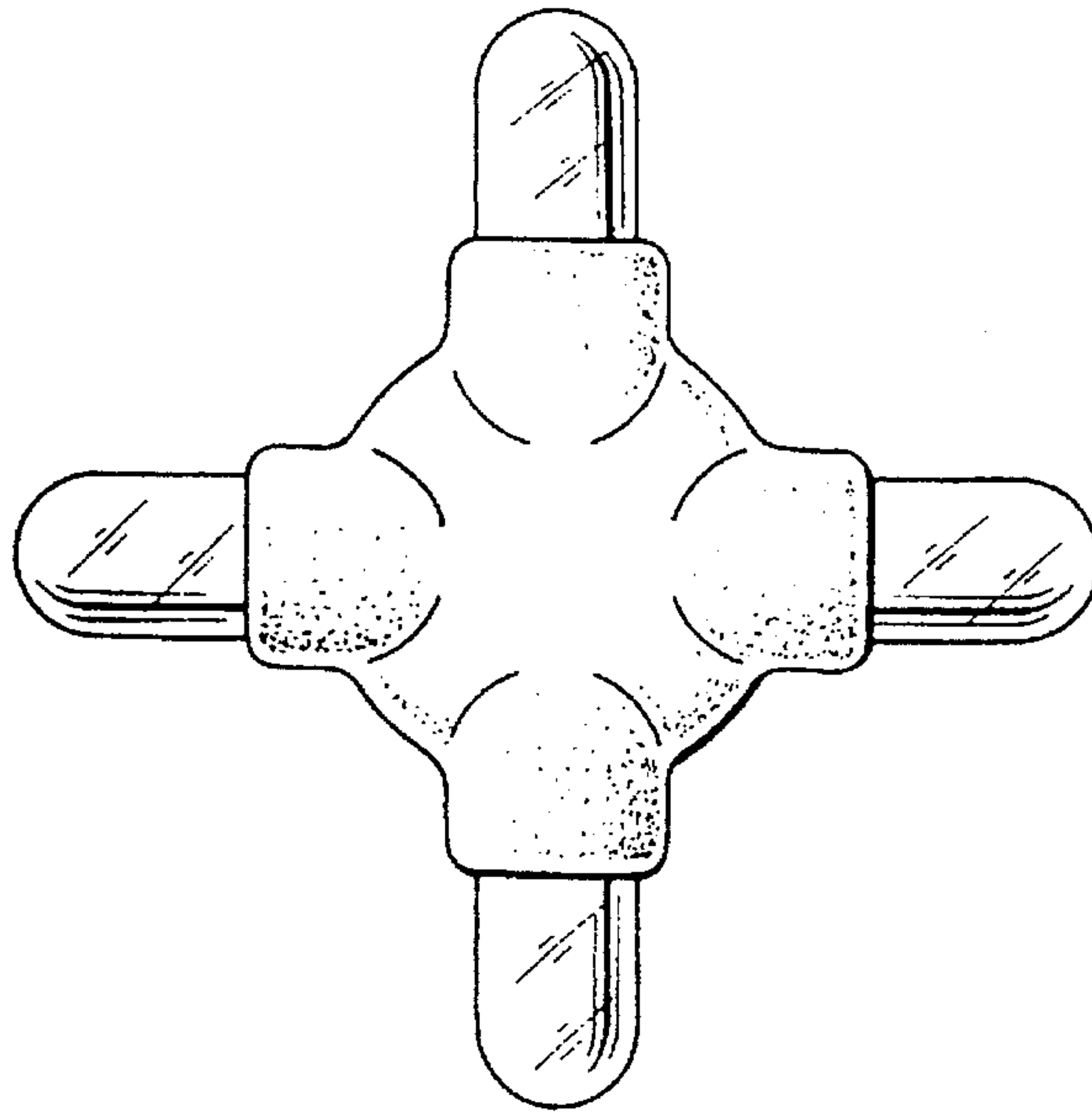


FIG. 13

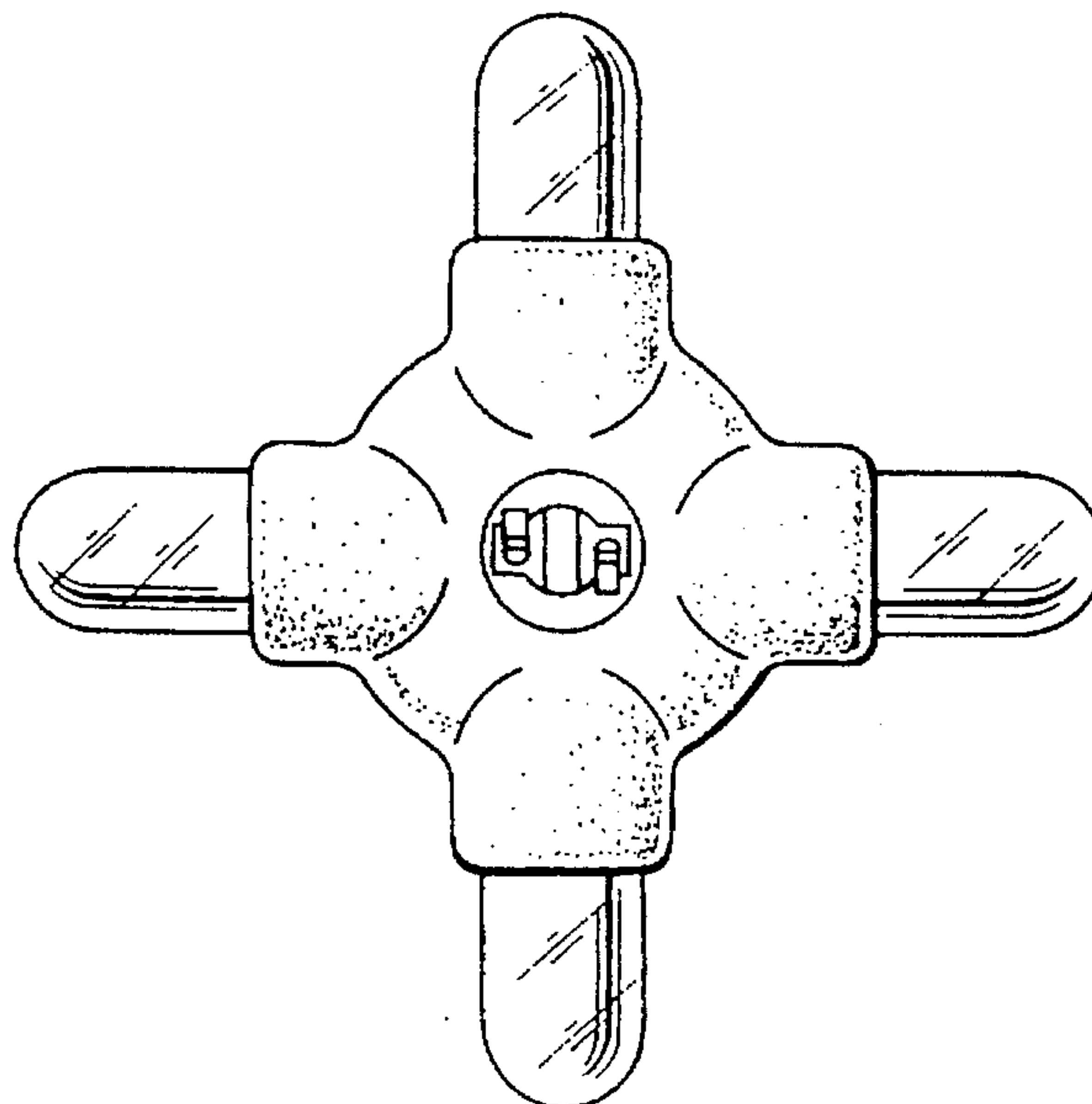


FIG. 14

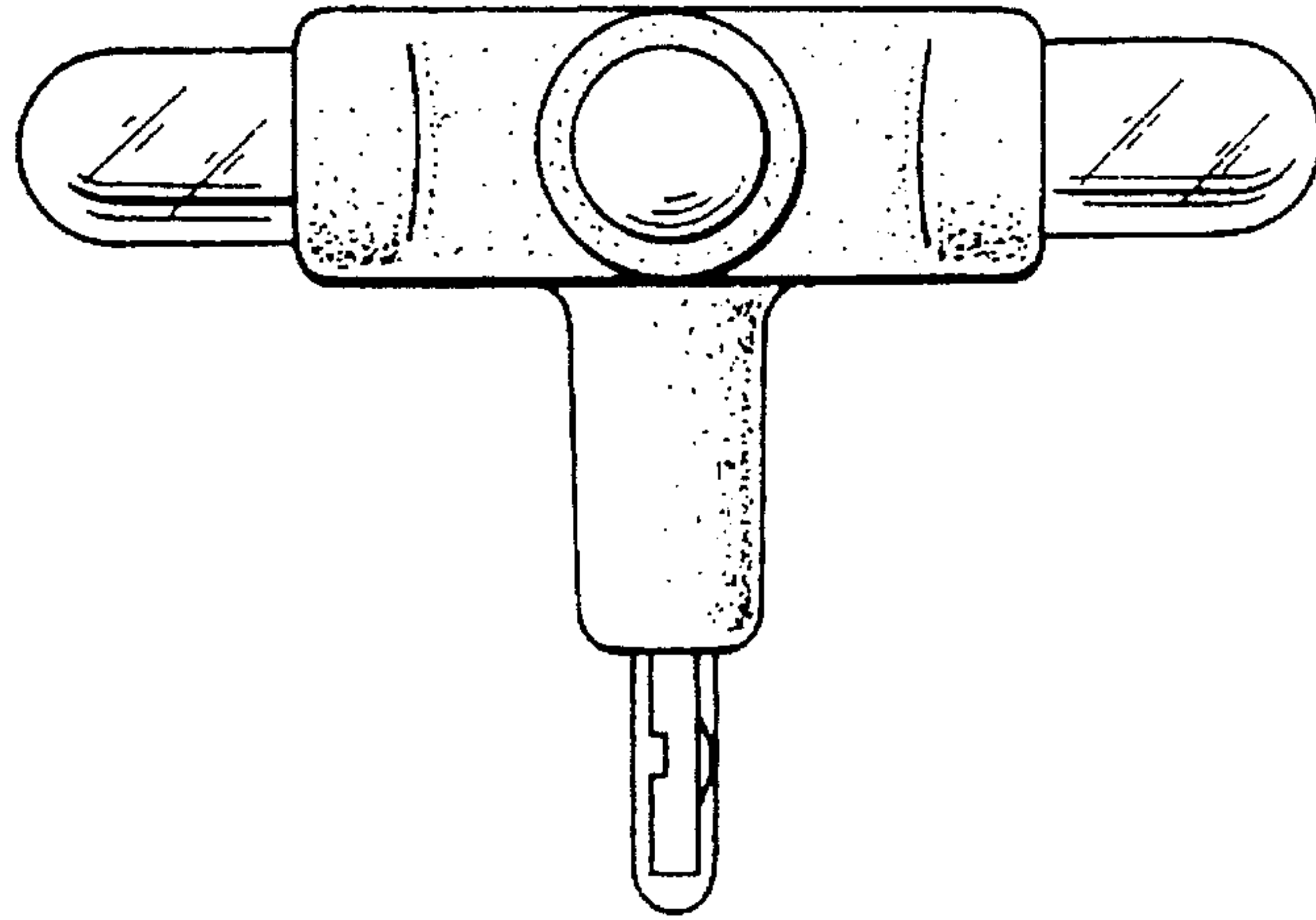


FIG. 15

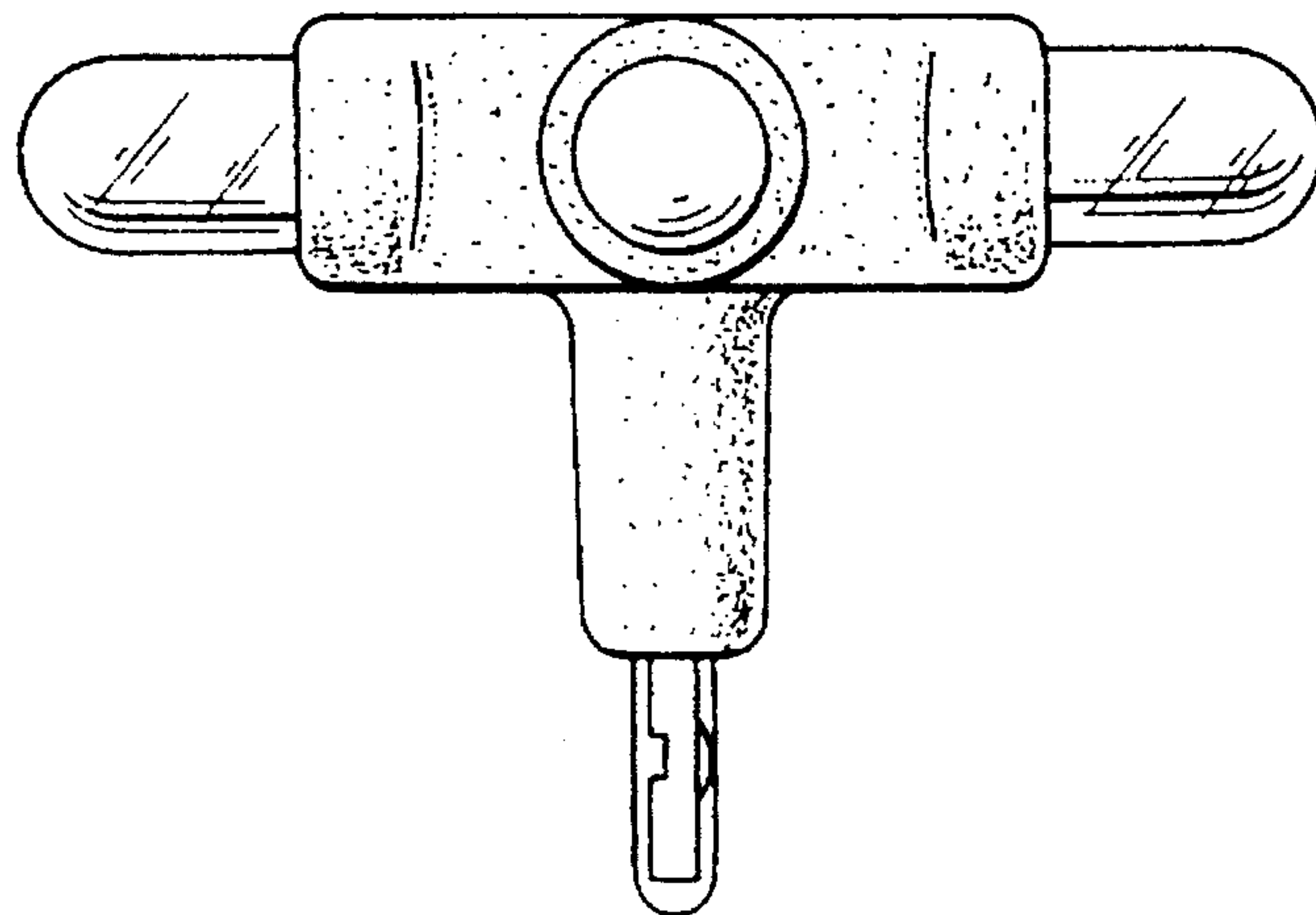


FIG. 16

