



US00D372991S

# United States Patent [19]

Ramsey

[11] Patent Number: **Des. 372,991**

[45] Date of Patent: **\*\*Aug. 20, 1996**

[54] **INTERCONNECTING STACKABLE LANDSCAPE TIMBER**

[75] Inventor: **Robert L. Ramsey**, Morrilton, Ark.

[73] Assignee: **Thompson Industries, Inc.**, Russellville, Ark.

[\*\*] Term: **14 Years**

[21] Appl. No.: **11,525**

[22] Filed: **Aug. 6, 1993**

### Related U.S. Application Data

[63] Continuation of Ser. No. 577,599, Sep. 4, 1990, abandoned.

[52] U.S. Cl. .... **D25/164**

[58] Field of Search ..... D25/164; 52/280, 52/288, 277; 256/25; 47/33, 48.5

### [56] References Cited

#### U.S. PATENT DOCUMENTS

3,295,269	1/1967	Schuster .....	52/277
3,347,048	10/1967	Brown et al. ....	D25/113
3,438,146	4/1969	Nickerson .....	47/33

3,484,081	12/1969	Rowan .....	256/25
4,767,232	8/1988	Francis .....	403/91
4,787,475	11/1988	Arteau et al. ....	182/82
4,825,575	5/1989	Rethke .....	40/610
4,834,585	5/1989	Hasenwinkle et al. ....	405/286
4,869,018	9/1989	Scales et al. ....	47/48.5
4,910,910	3/1990	Jones .....	47/33

Primary Examiner—Doris Clark  
Attorney, Agent, or Firm—Stephen D. Carver; Trent C. Keisling

### [57] CLAIM

The ornamental design for a interconnecting stackable landscape timber, as shown and described.

### DESCRIPTION

FIG. 1 is a perspective view of an interconnecting stackable landscape timber showing my new design; FIG. 2 is a left side elevational view, the right side being a mirror image thereof; FIG. 3 is a top plan view thereof; FIG. 4 is a left end elevational view thereof; and, FIG. 5 is a right end elevational view thereof.

**1 Claim, 2 Drawing Sheets**

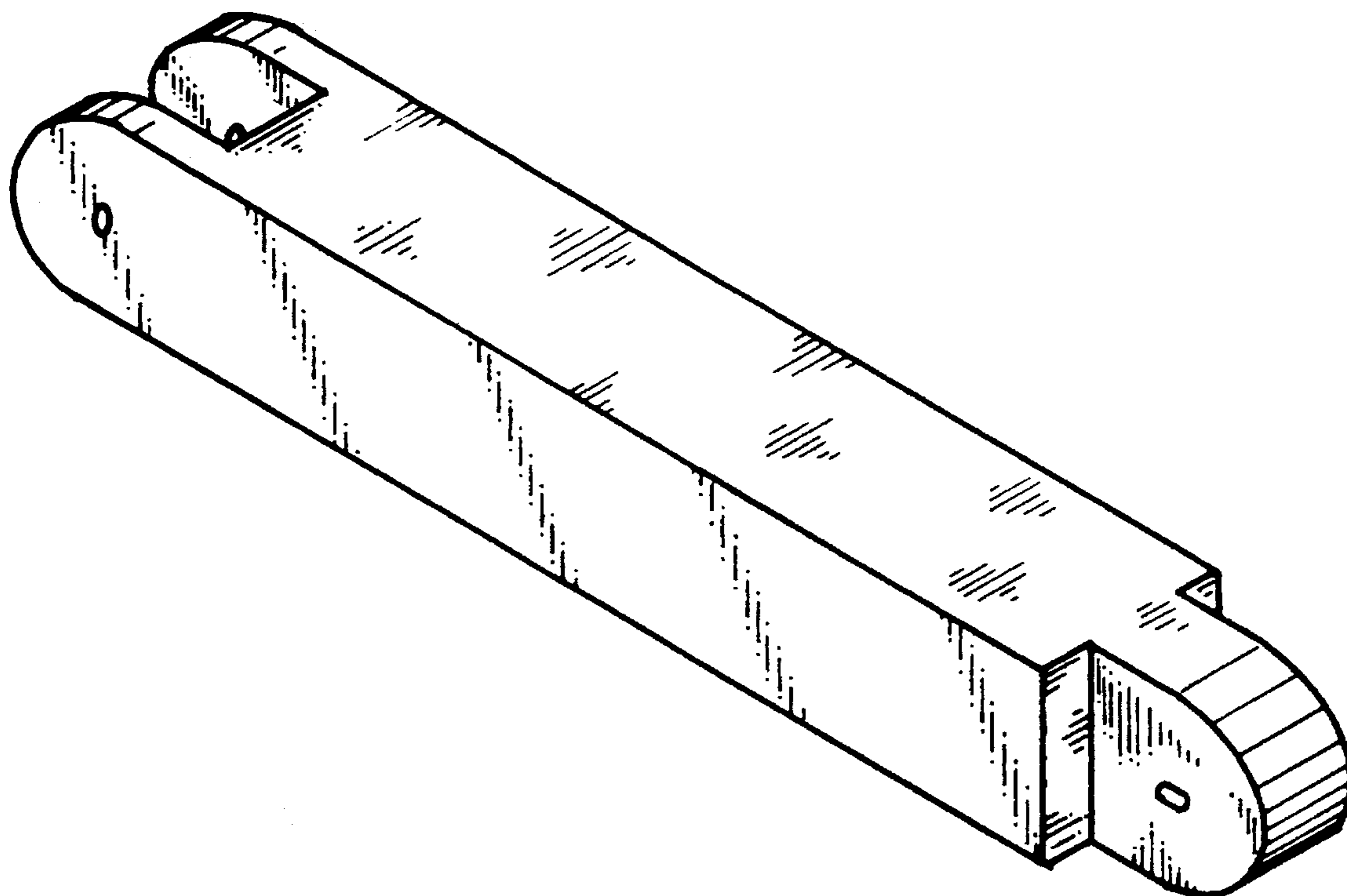


FIG. 1

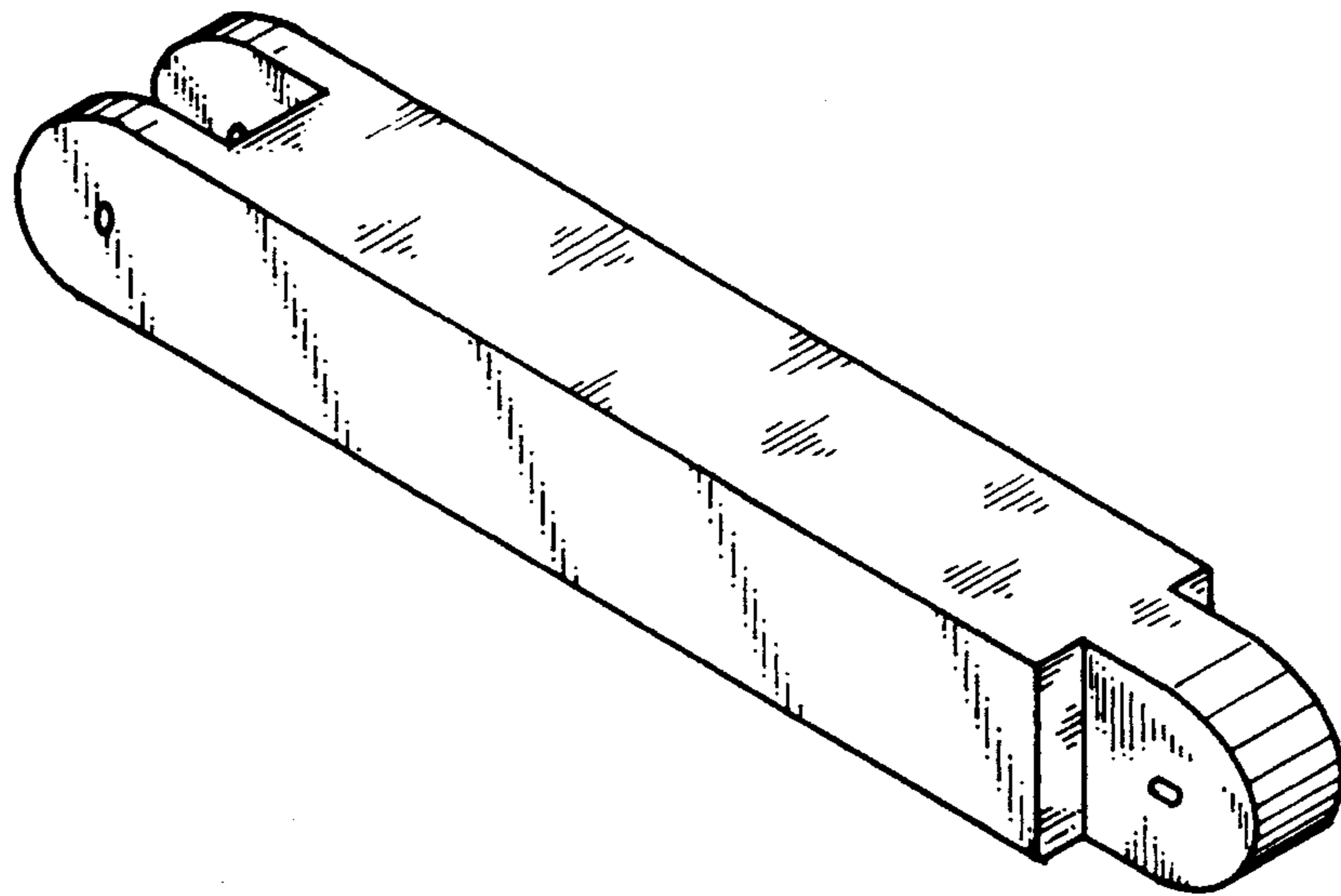


FIG. 2

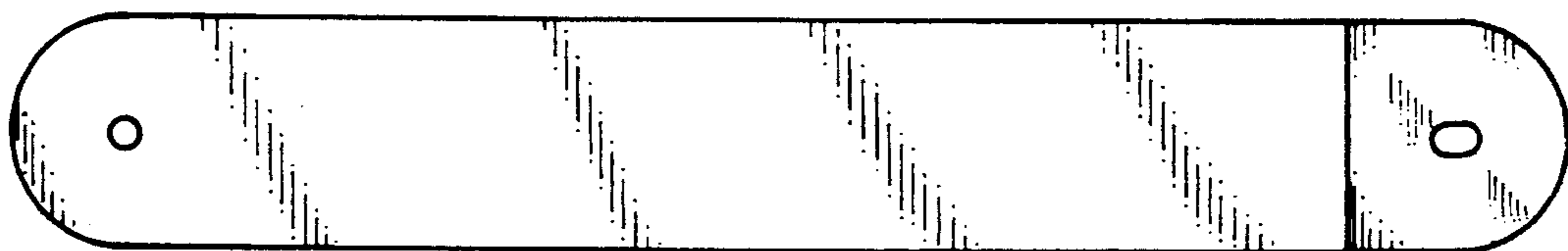


FIG. 3

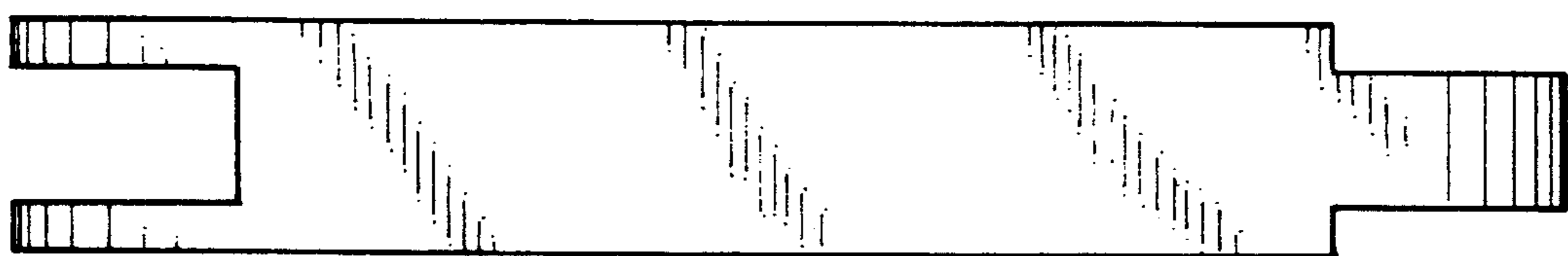


FIG. 4

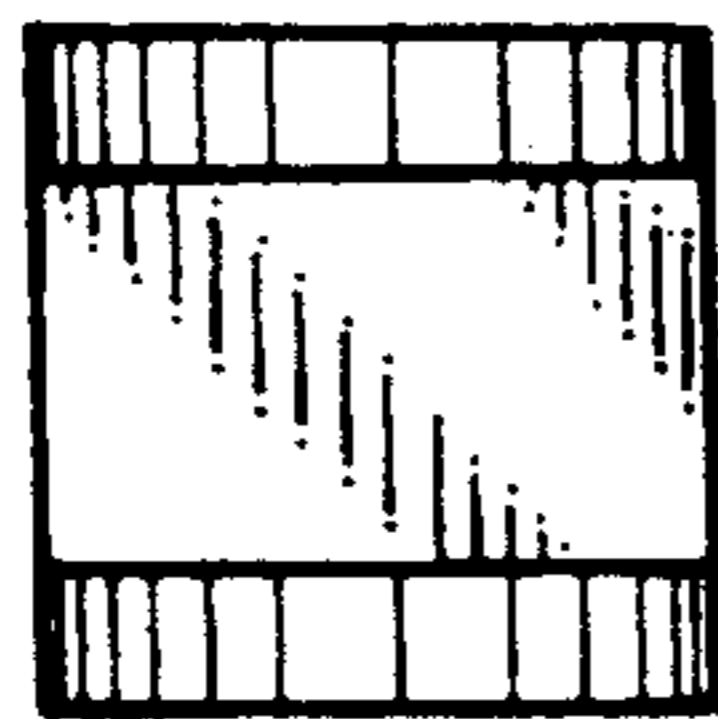


FIG. 5

