



US00D372989S

United States Patent [19]

Gile et al.

[11] Patent Number: **Des. 372,989**

[45] Date of Patent: ****Aug. 20, 1996**

[54] **SHIN PAD FOR A LADDER**
[76] Inventors: **Jess S. Gile**, 7006 Totem Branch Loop Rd.; **Leslie Jensen-Gile**, 7006 Totem Branch Loop Rd., both of Marysville, Wash. 98271

4,798,264 1/1989 Miller et al. 182/230
4,899,848 2/1990 Parr .
5,058,789 10/1991 Piper .
5,094,319 3/1992 Kobasic .
5,337,857 8/1994 Spalt et al. 248/238

[**] Term: **14 Years**

FOREIGN PATENT DOCUMENTS

2235236 2/1991 United Kingdom .

[21] Appl. No.: **35,206**

Primary Examiner—Doris Clark
Attorney, Agent, or Firm—Richard C. Litman

[22] Filed: **Feb. 22, 1995**

[52] U.S. Cl. **D25/68**

[57] CLAIM

[58] **Field of Search** D25/68, 62; D29/121; 224/264, 265; 182/107-108, 194, 106, 129, 230, 345.1; 2/24

The ornamental design for a shin pad for a ladder, as shown and described.

DESCRIPTION

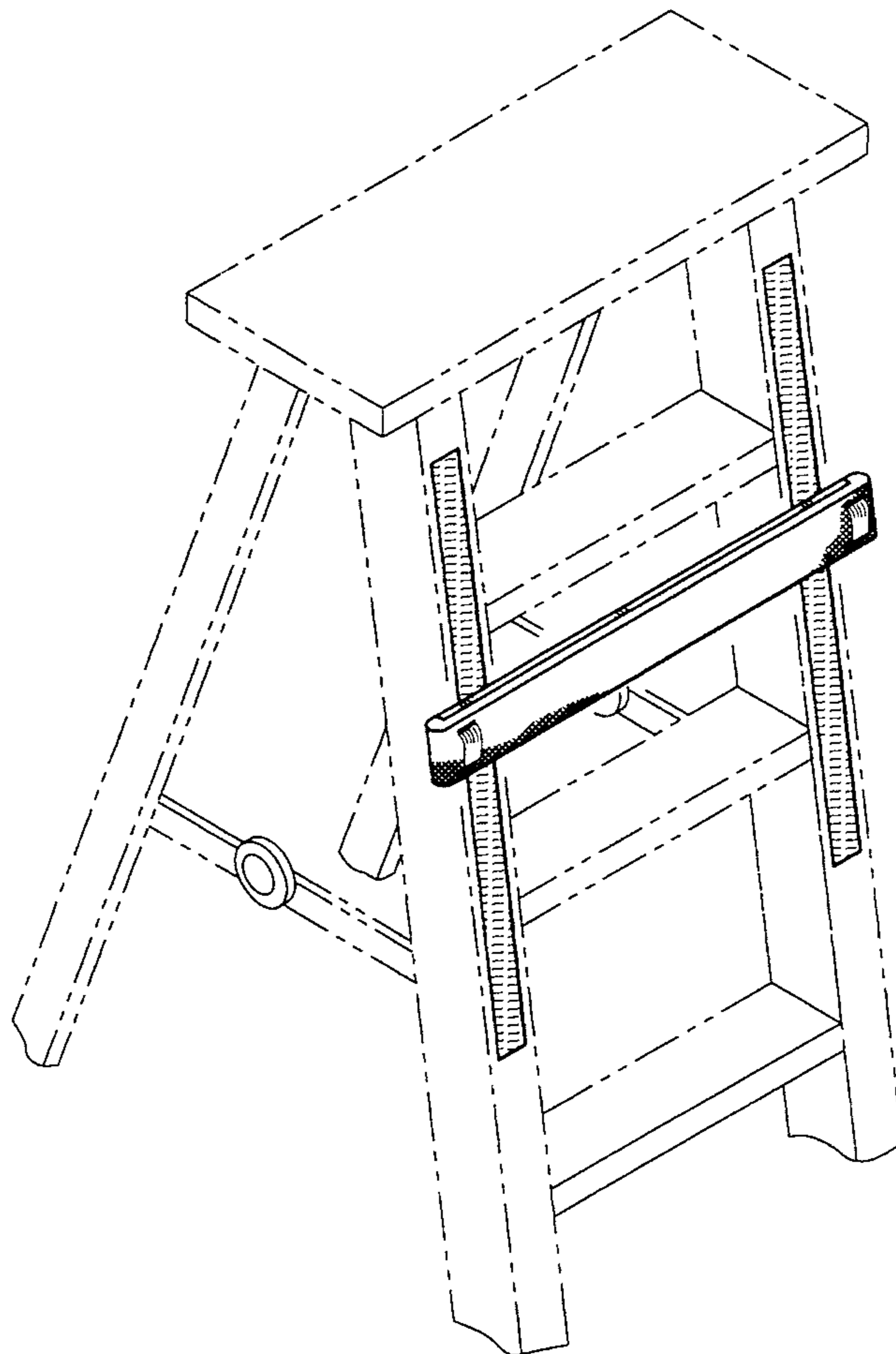
[56] References Cited

U.S. PATENT DOCUMENTS

D. 260,576 9/1981 Roberdeaux .
D. 265,592 7/1982 Perkins .
D. 317,206 5/1991 Cagle .
D. 353,469 12/1994 Skaggs D25/68
2,518,107 8/1950 Wilson .
3,382,503 5/1968 Ramon 2/24
3,828,889 8/1974 Rehm .
3,993,163 11/1976 Barrett .
4,346,384 8/1982 Hammond 2/24
4,726,446 2/1988 Perbix .

FIG. 1 is an environmental perspective view of a shin pad for a ladder showing our new design;
FIG. 2 is a rear elevational view thereof;
FIG. 3 is a front elevational view thereof;
FIG. 4 is a left side elevational view with the right side being a mirror image thereof; and,
FIG. 5 is a top view thereof with the bottom view being a mirror image thereof.
The broken line showing of a ladder is for illustrative purposes only and forms no part of the claimed design.

1 Claim, 3 Drawing Sheets



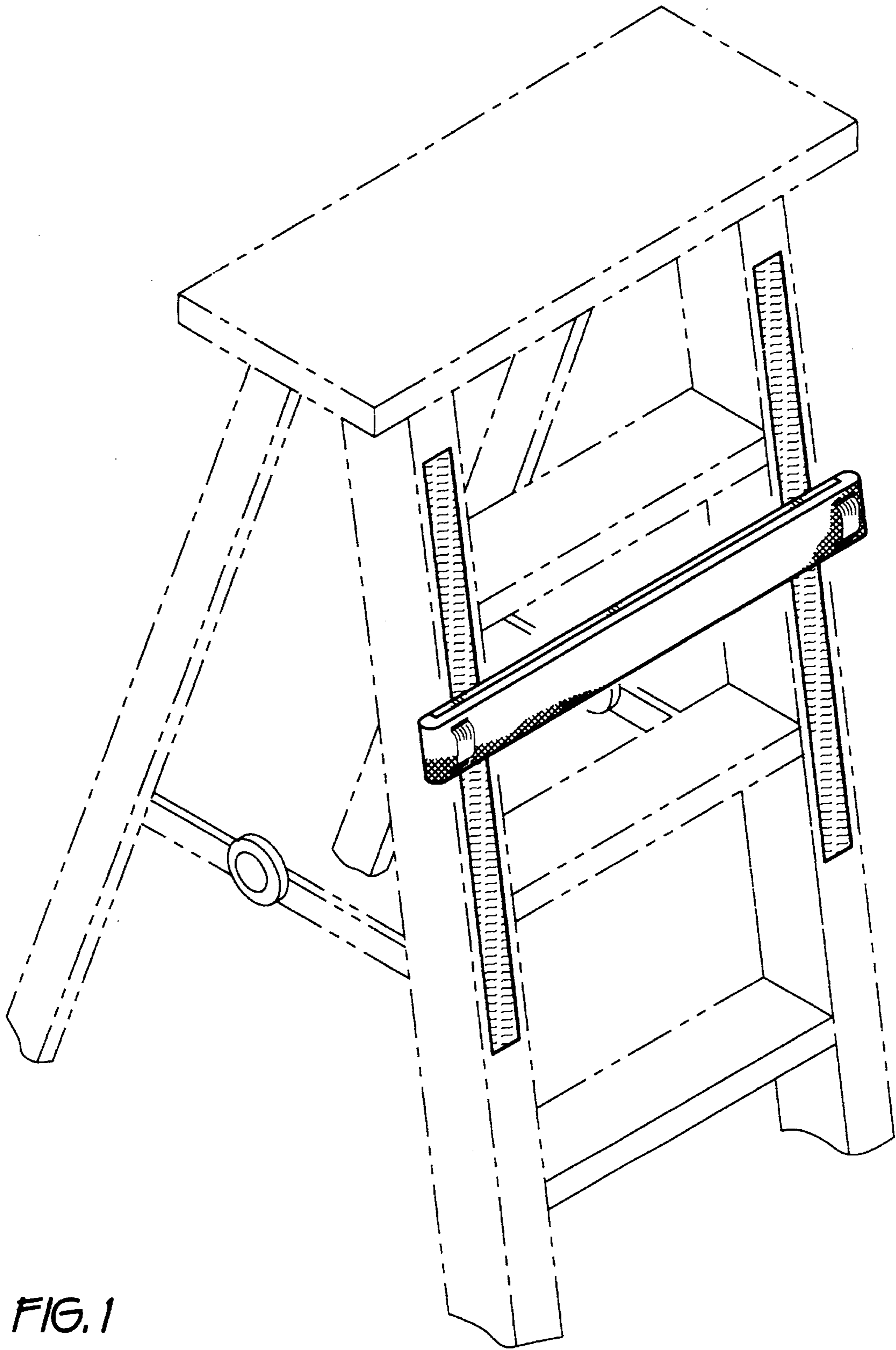


FIG. 1

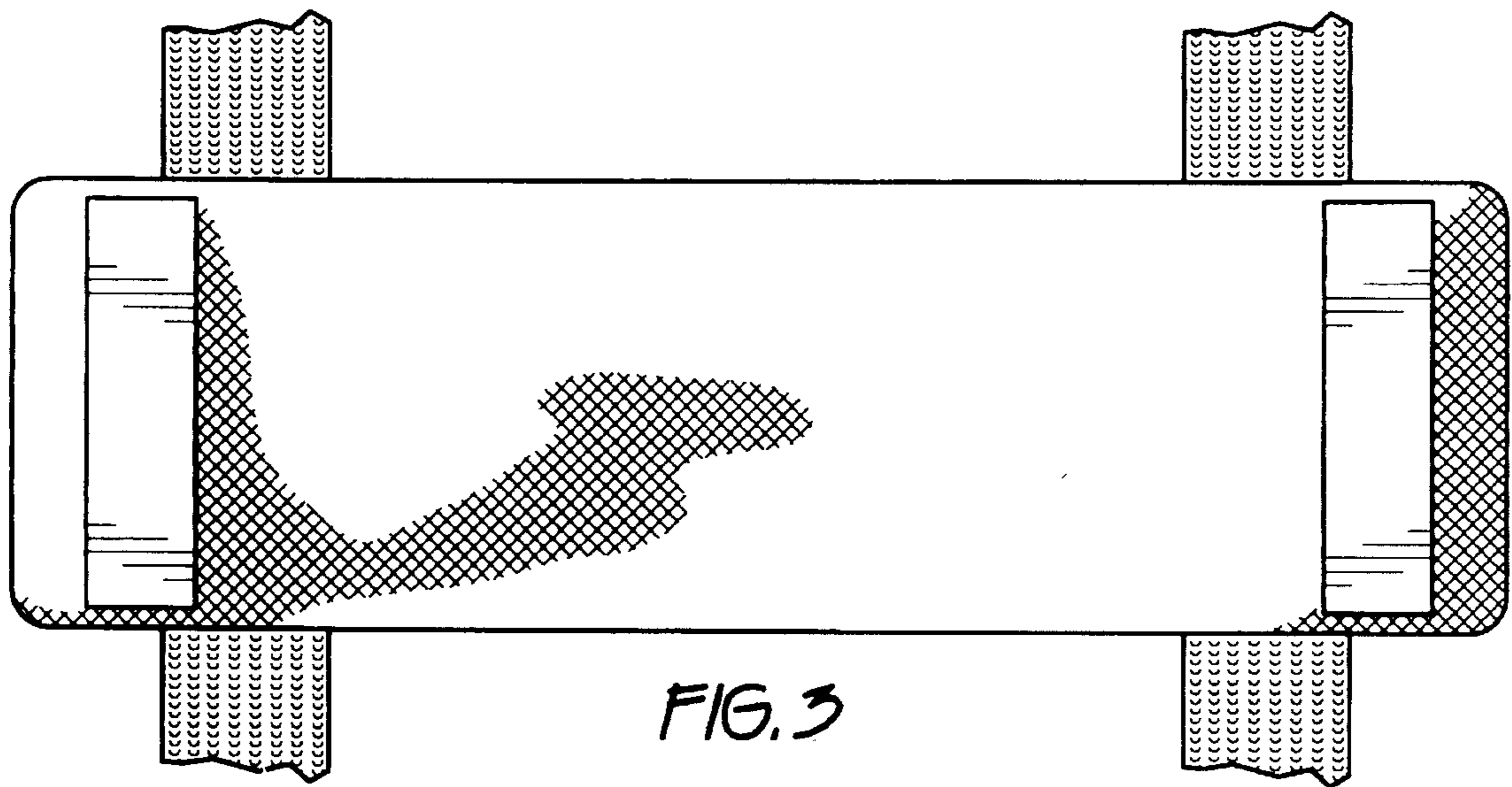
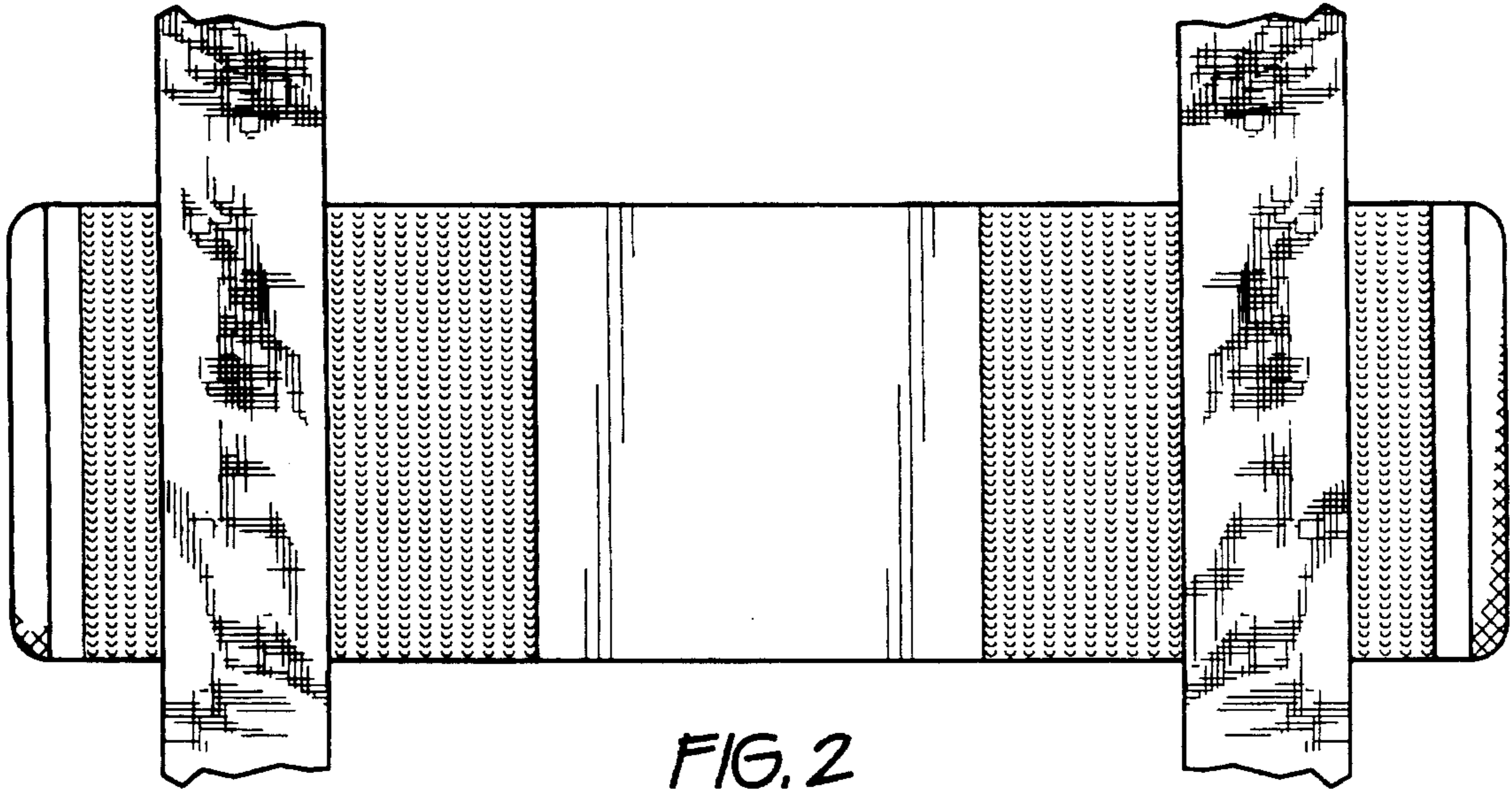




FIG. 4

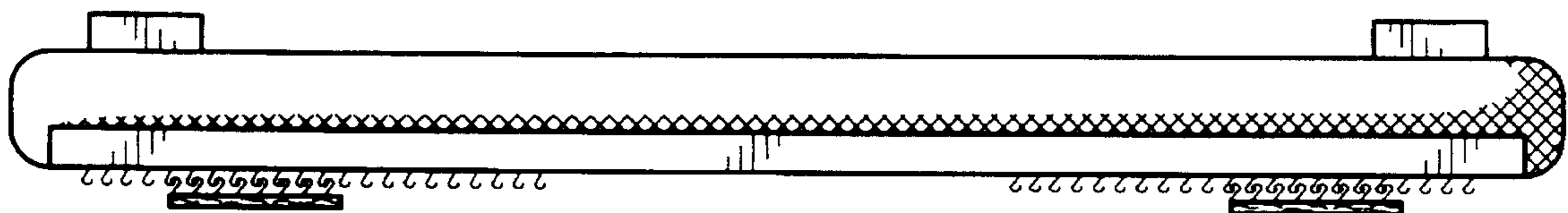


FIG. 5