



US00D372988S

**United States Patent** [19]  
**Schulz**

[11] **Patent Number: Des. 372,988**  
[45] **Date of Patent: \*\*Aug. 20, 1996**

[54] **COLLAPSIBLE SCAFFOLDING EXTENSION**

*Attorney, Agent, or Firm—Burns, Doane, Swecker & Mathis*

[76] Inventor: **Richard Schulz**, 845 N. L St.,  
Livermore, Calif. 94550

[57] **CLAIM**

[\*\*] Term: **14 Years**

The ornamental design for a collapsible scaffolding extension, as shown and described.

[21] Appl. No.: **33,576**

**DESCRIPTION**

[22] Filed: **Jan. 17, 1995**

[52] U.S. Cl. .... **D25/68**

[58] **Field of Search** ..... D25/62, 66, 67,  
D25/68; 182/151, 130, 146, 149, 183, 224,  
187, 152, 153, 155, 181

FIG. 1 is a perspective view of a collapsible scaffolding extension attached to a collapsible scaffolding showing my new design the broken lines showing the collapsible scaffolding are for illustrative purposes only and form no part of the claimed design;

FIG. 2 is a front elevational view of the collapsible scaffolding extension;

FIG. 3 is a top plan view thereof;

FIG. 4 is a right side elevational view thereof;

FIG. 5 is a left side elevational view thereof;

FIG. 6 is a bottom plan view thereof; and,

FIG. 7 is a rear elevational view thereof.

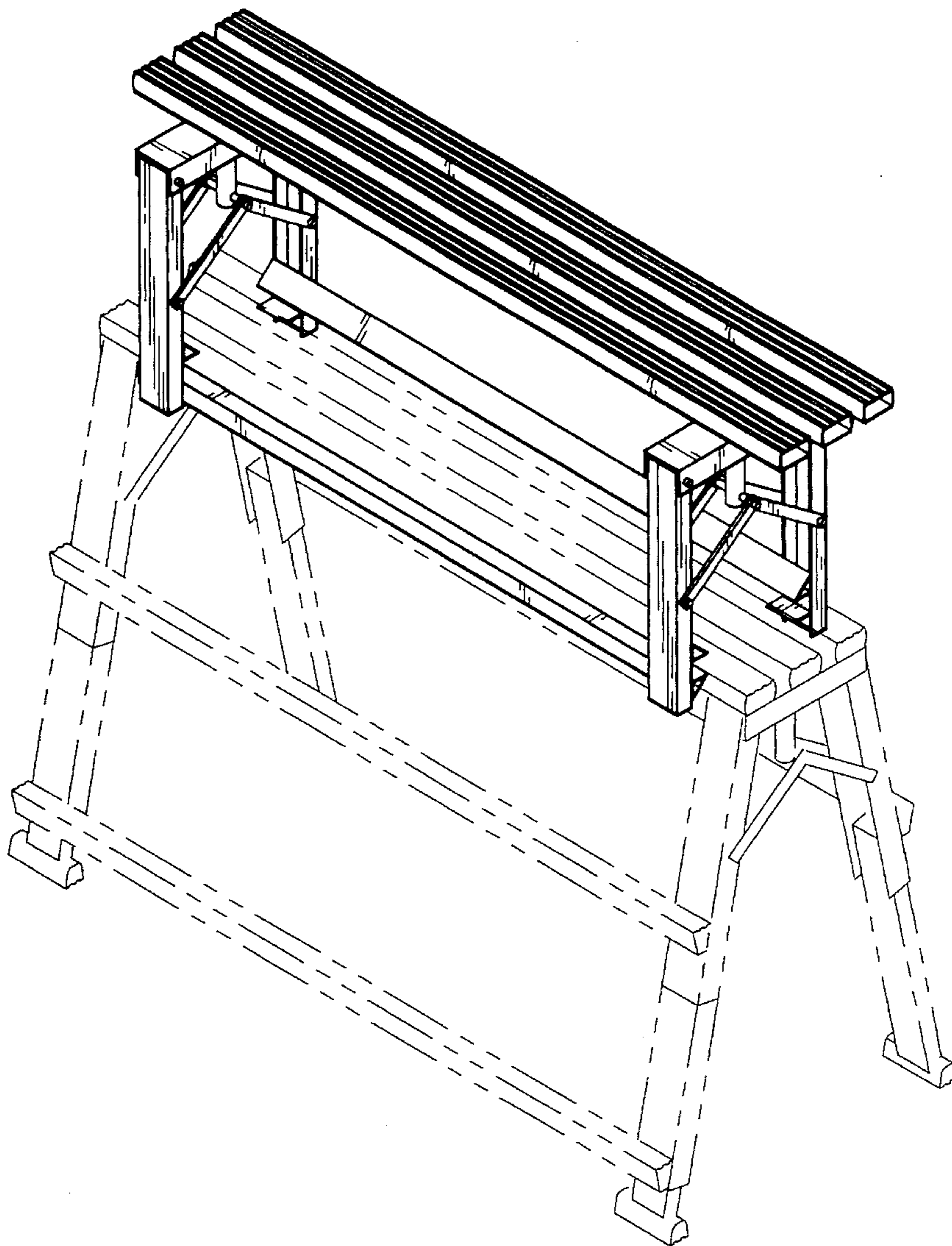
[56] **References Cited**

**U.S. PATENT DOCUMENTS**

D. 222,894	1/1972	Taylor	.....	D25/68
462,686	11/1891	Brazeer	.....	182/149
651,444	6/1900	Nelson	.....	182/149
5,101,932	4/1992	Trudgeon	.....	182/224

*Primary Examiner—Doris Clark*

**1 Claim, 3 Drawing Sheets**



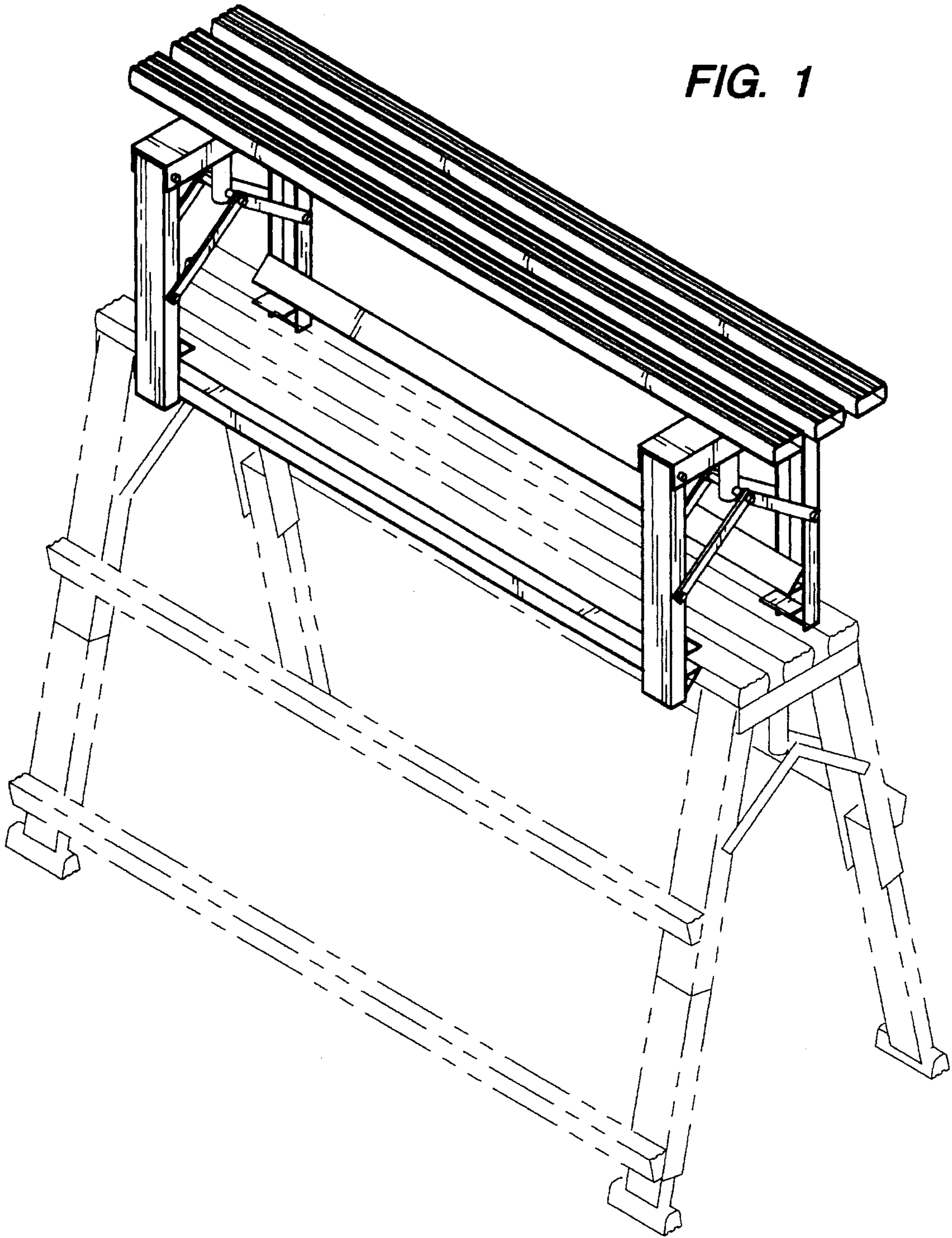
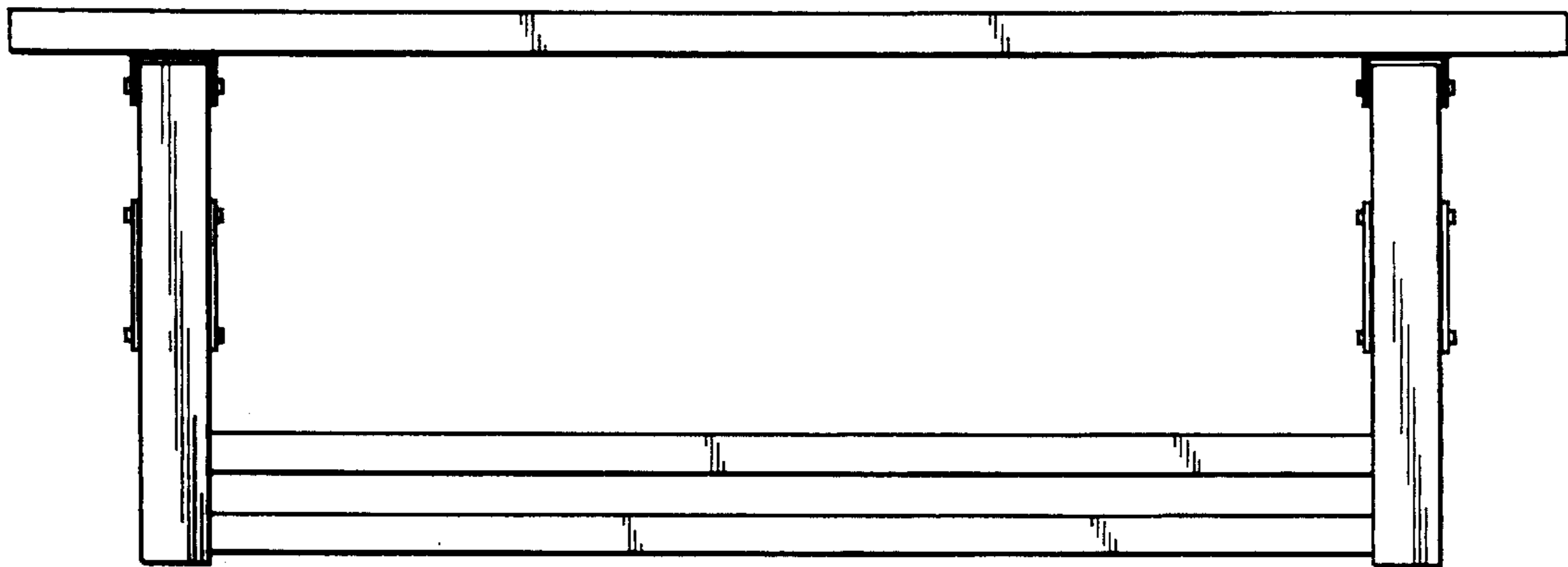
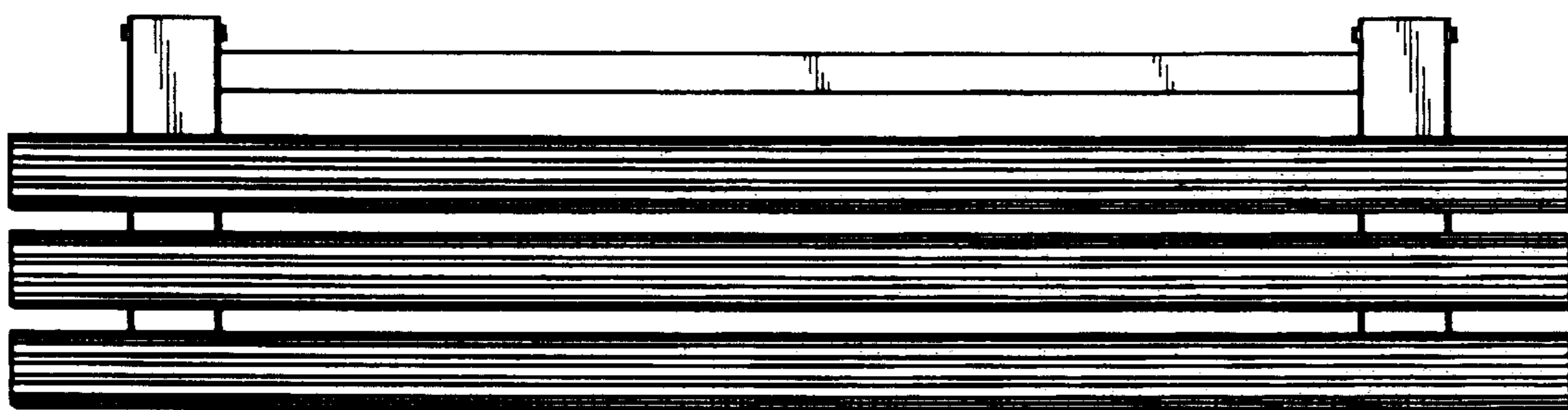


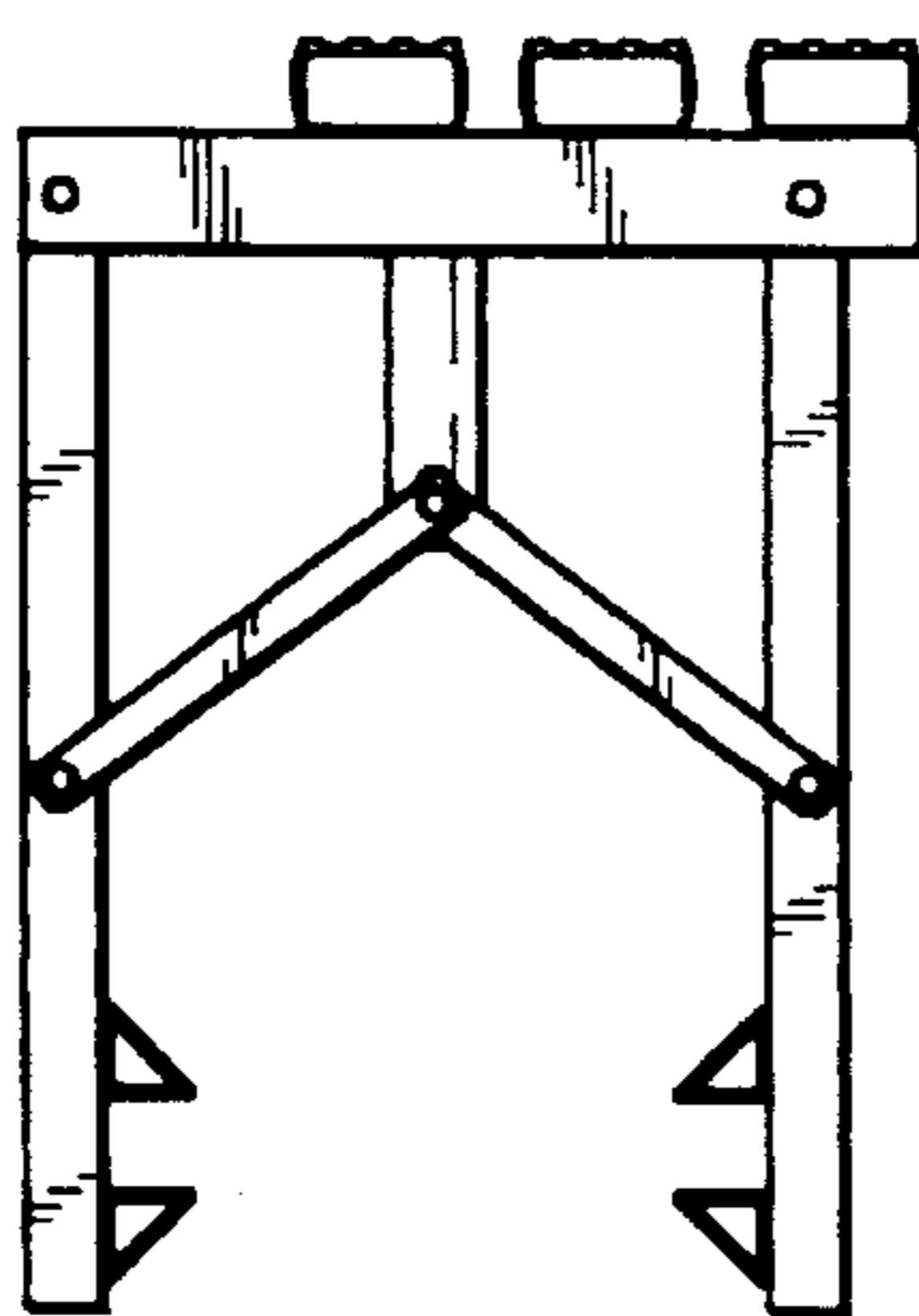
FIG. 1



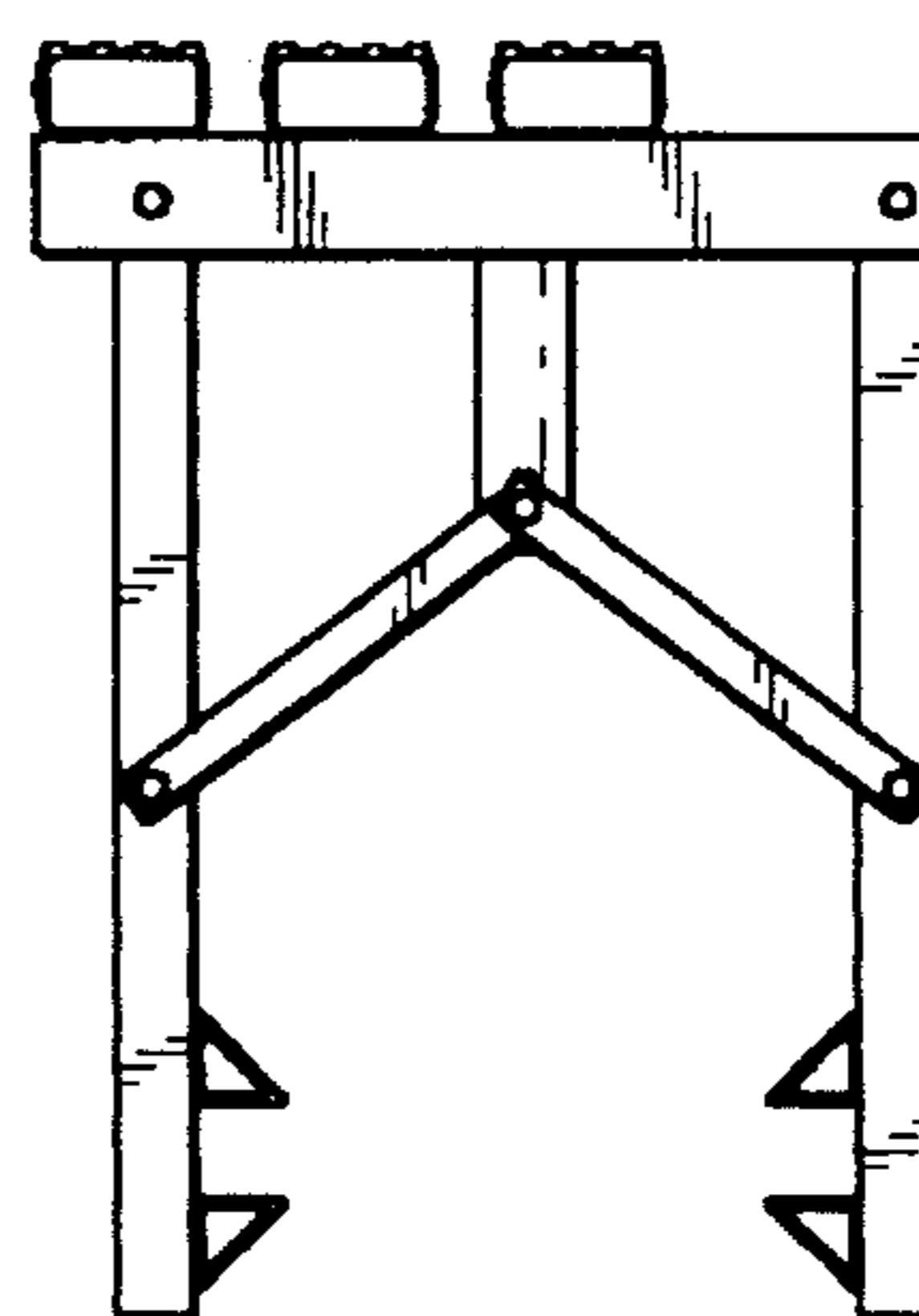
**FIG. 2**



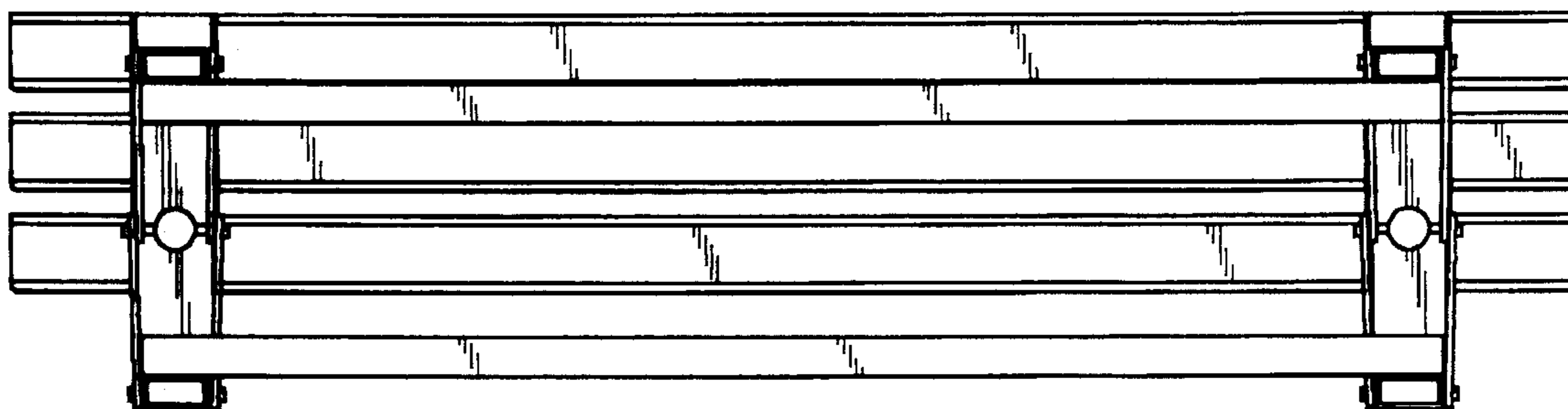
**FIG. 3**



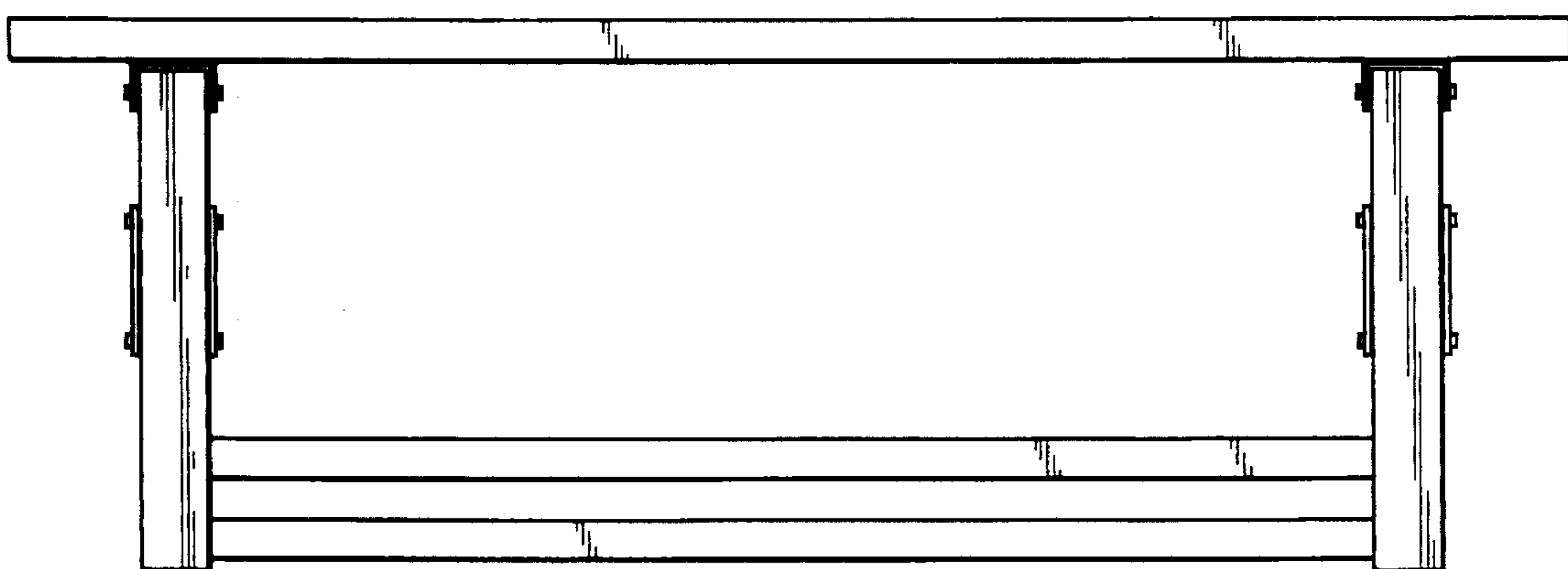
**FIG. 4**



**FIG. 5**



**FIG. 6**



**FIG. 7**