



US00D372987S

United States Patent [19]

[11] Patent Number: Des. 372,987

Eason

[45] Date of Patent: **Aug. 20, 1996

[54] LADDER

[57] CLAIM

[76] Inventor: Ernest Eason, 19 Rte-. 52, Cochection, N.Y. 12726-5417

The ornamental design for a ladder, as shown.

[**] Term: 14 Years

DESCRIPTION

[21] Appl. No.: 42,248

FIG. 1 is an exploded perspective view of a ladder showing my new design;

[22] Filed: Aug. 4, 1995

FIG. 2 is a right side view of the middle section of the ladder thereof;

[52] U.S. Cl. D25/64

FIG. 3 is a rear view thereof;

[58] Field of Search D25/64, 62; 182/20, 182/115-116, 187, 40, 41, 194

FIG. 4 is a top view thereof;

FIG. 5 is a bottom view thereof;

FIG. 6 is a front view of the top portion thereof;

FIG. 7 is a rear view of the top portion thereof;

FIG. 8 is a right side view thereof;

FIG. 9 is a top view thereof;

FIG. 10 is a bottom view thereof;

FIG. 11 is a front view of one of the foot portions thereof;

FIG. 12 is a side view thereof;

FIG. 13 is a top view thereof; and,

FIG. 14 is a bottom view thereof.

[56] References Cited

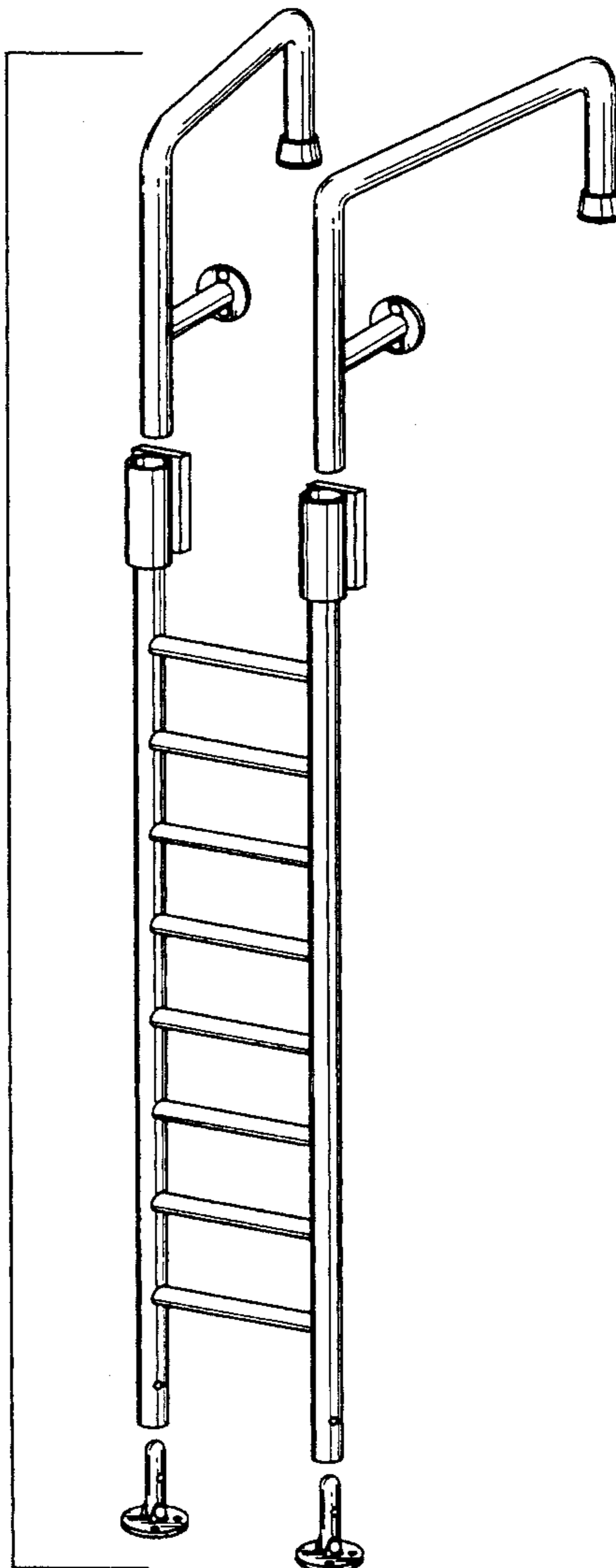
U.S. PATENT DOCUMENTS

D. 276,467	11/1984	Singer	D25/64
347,608	8/1886	Jackson	182/194
3,944,024	3/1976	Adas	182/194

Primary Examiner—Doris Clark

Attorney, Agent, or Firm—Harold H. Dutton, Jr.; W. Charles L. Jamison; Diane F. Liebman

1 Claim, 5 Drawing Sheets



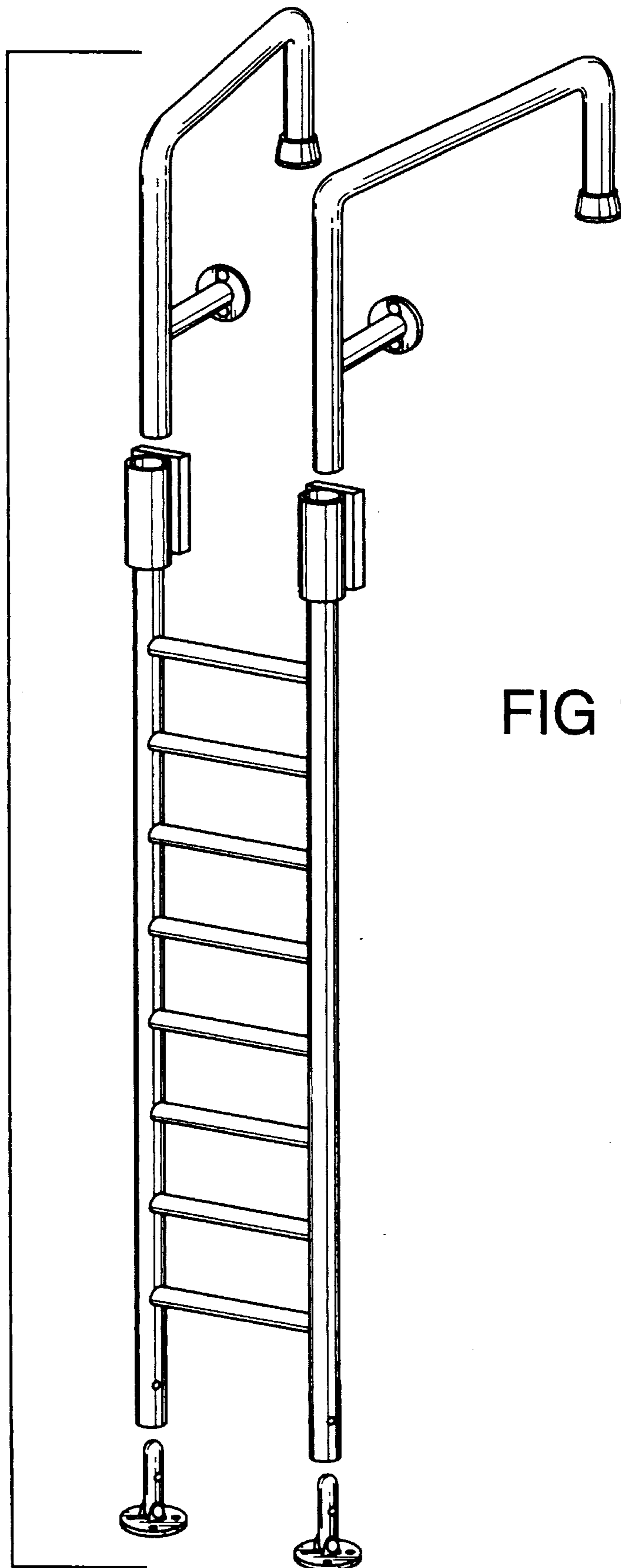


FIG 1.

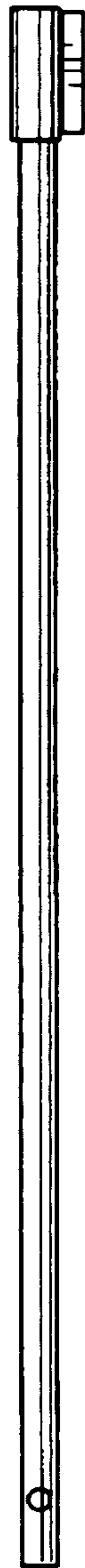


FIG. 2

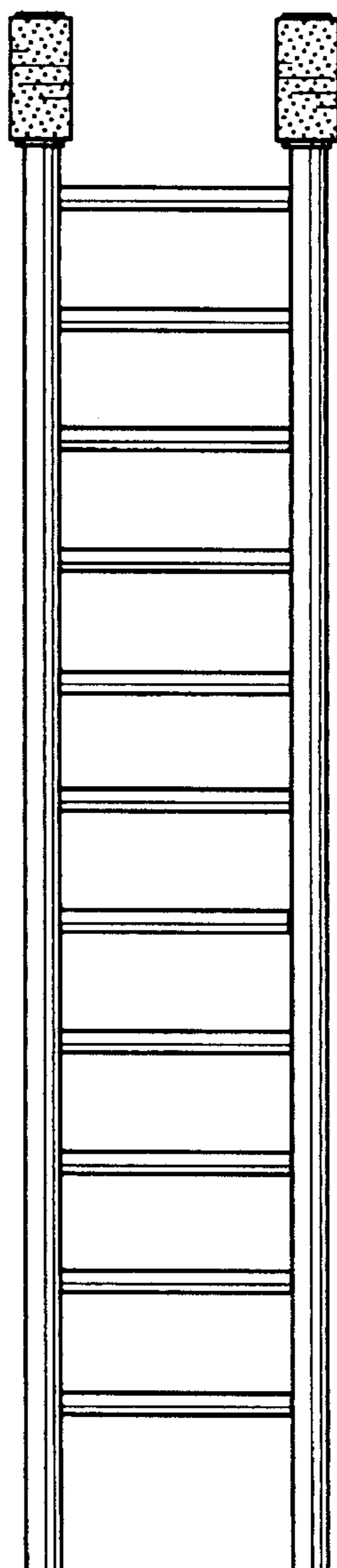


FIG. 3

FIG. 4

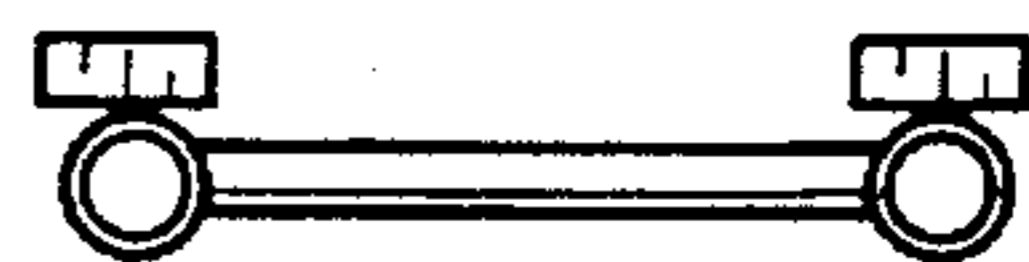
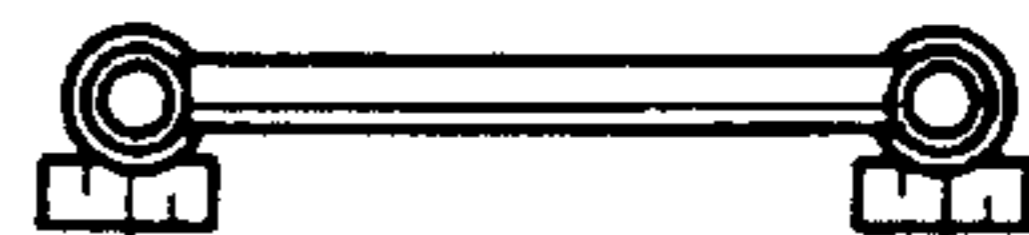


FIG. 5



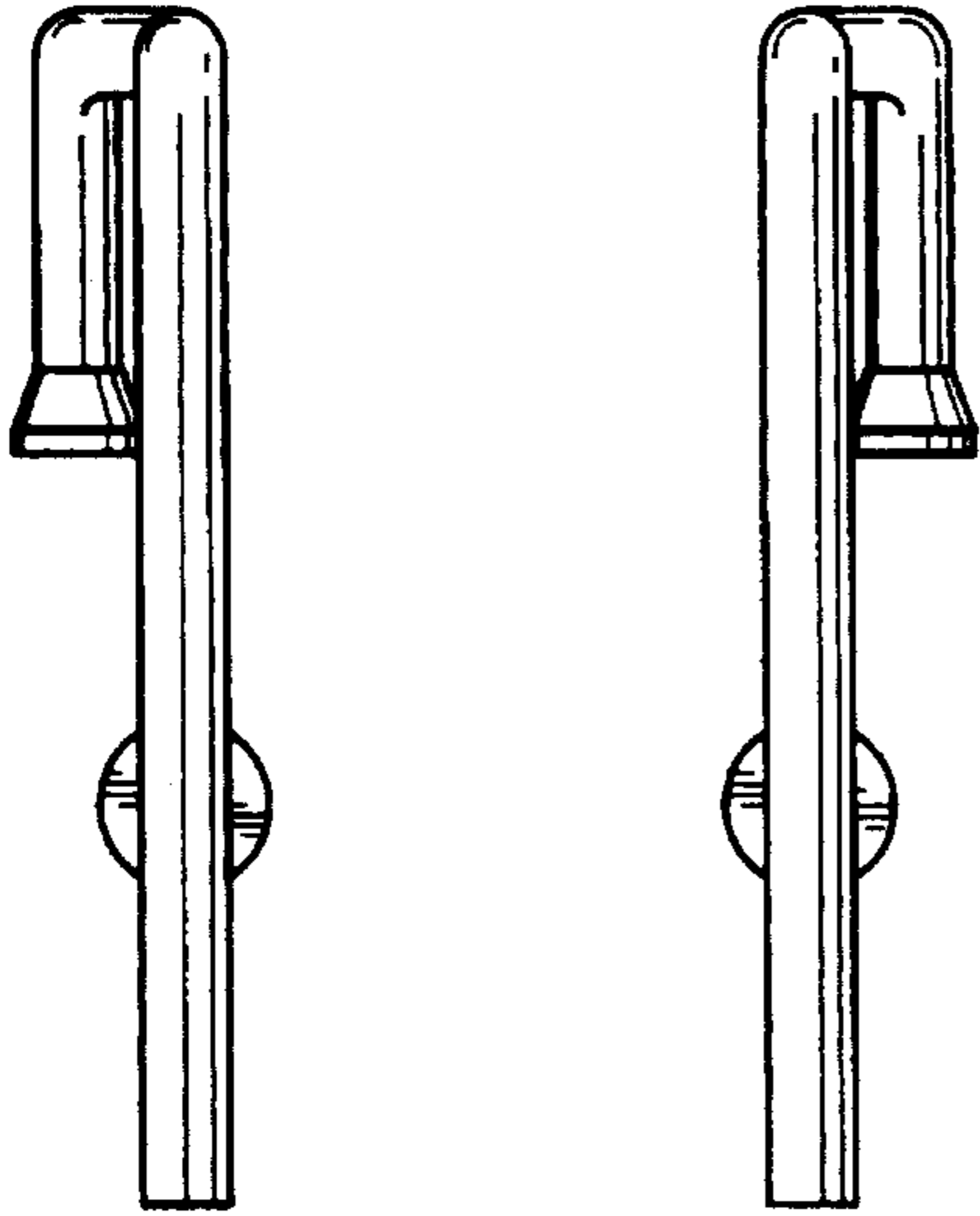


FIG. 6

FIG. 7

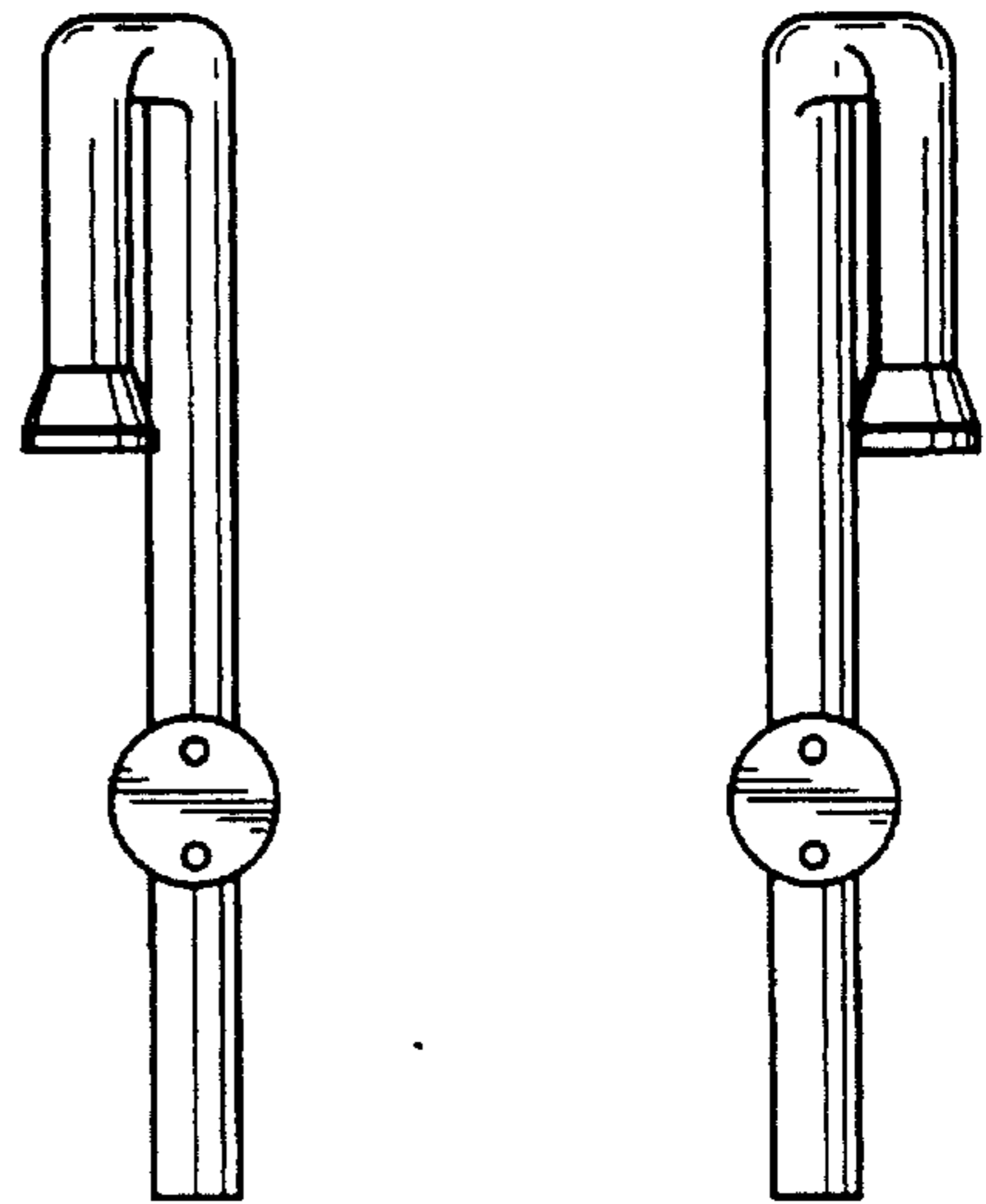


FIG. 8

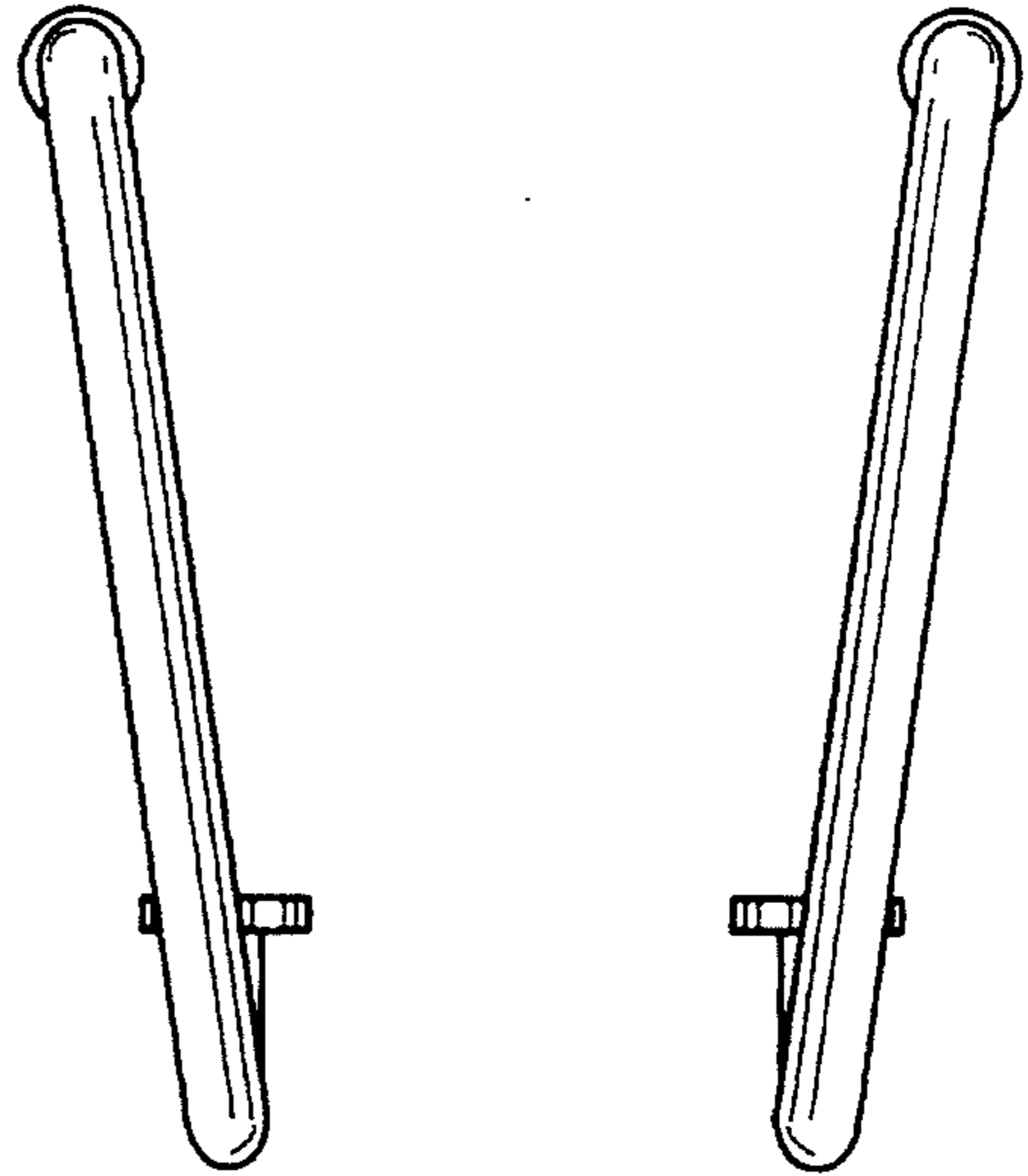
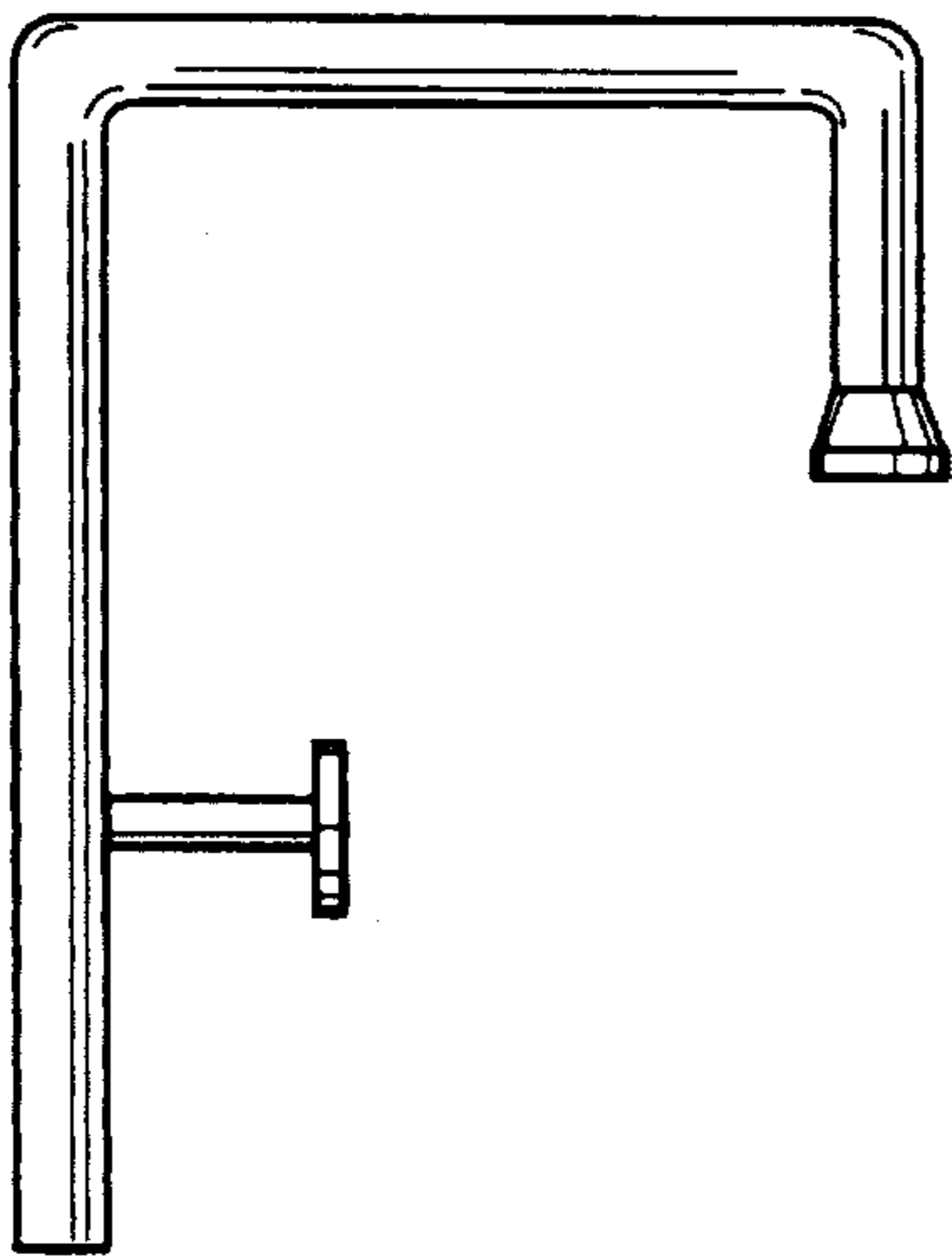


FIG. 9

FIG. 10

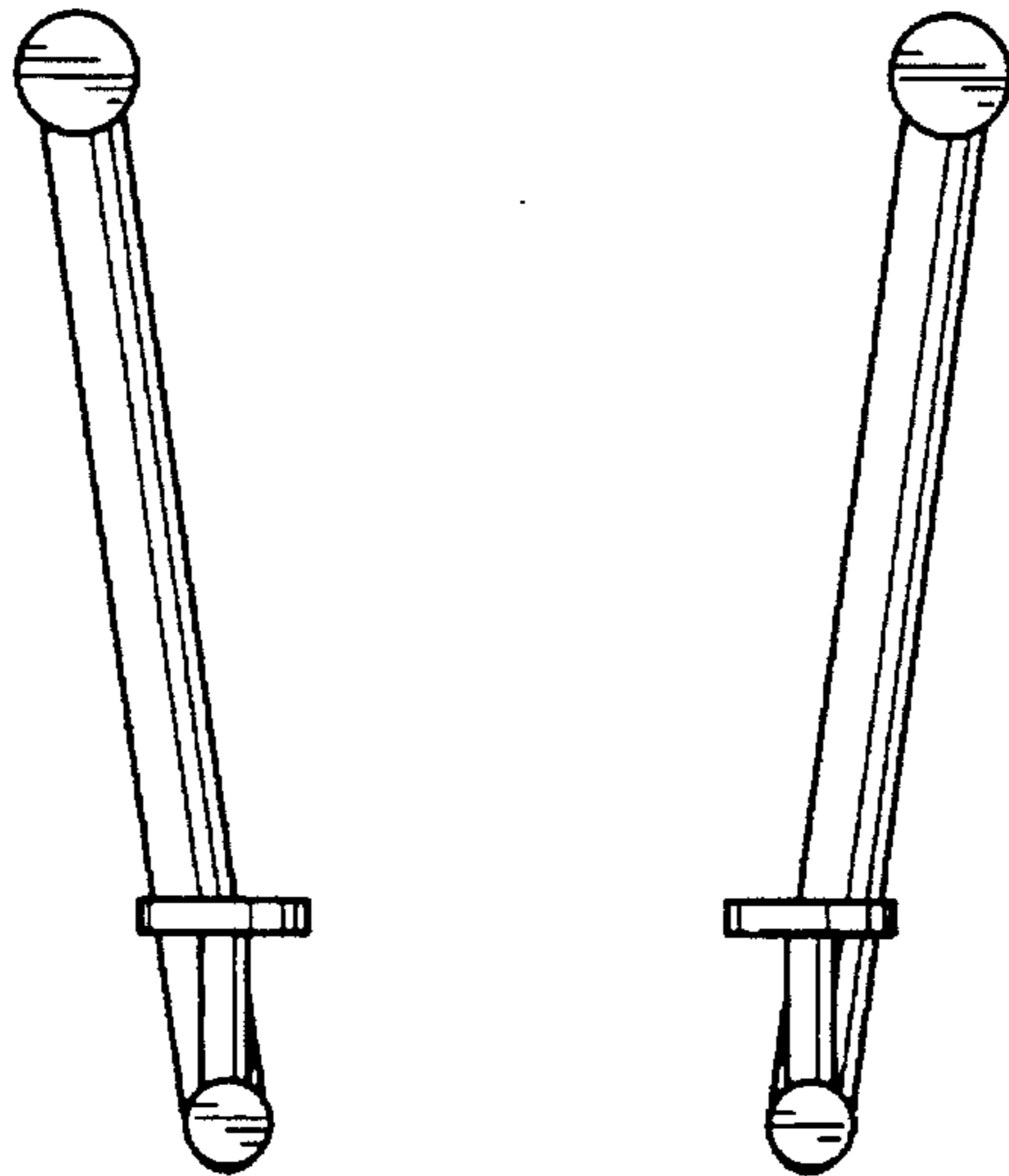


FIG. 11

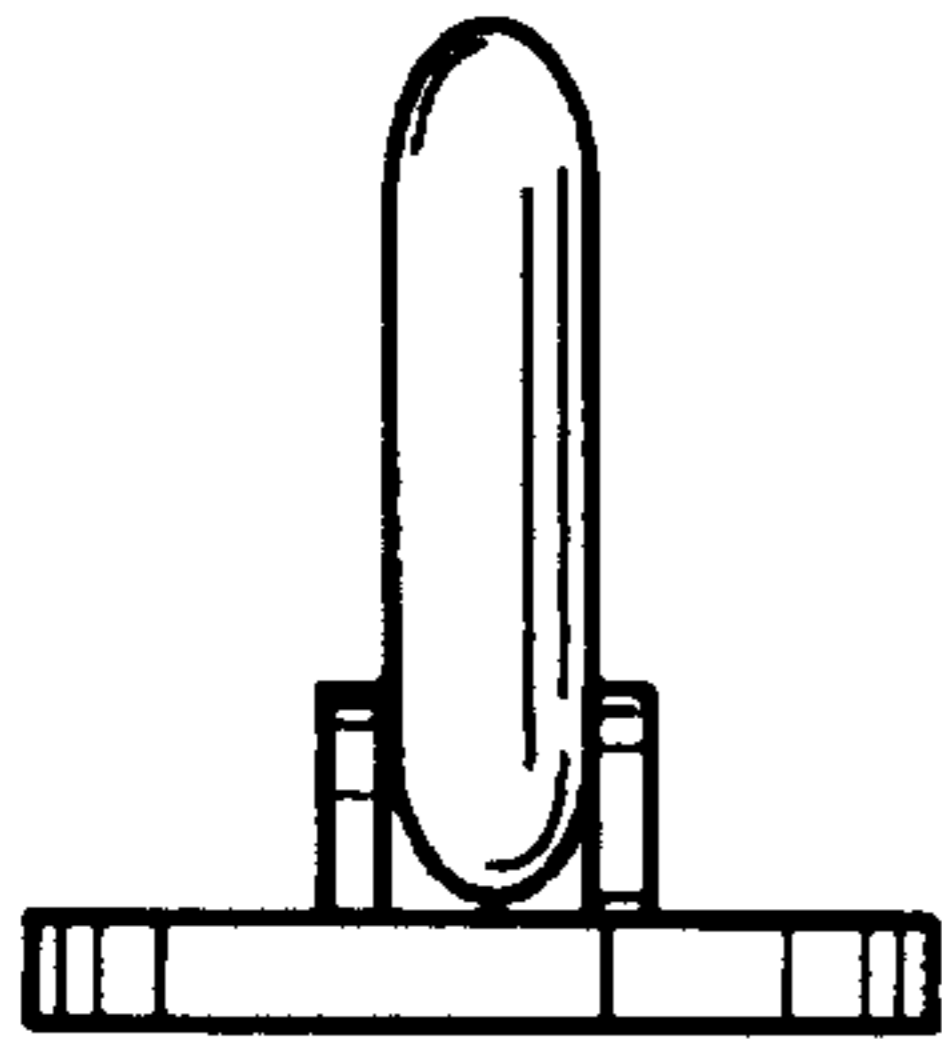


FIG. 12

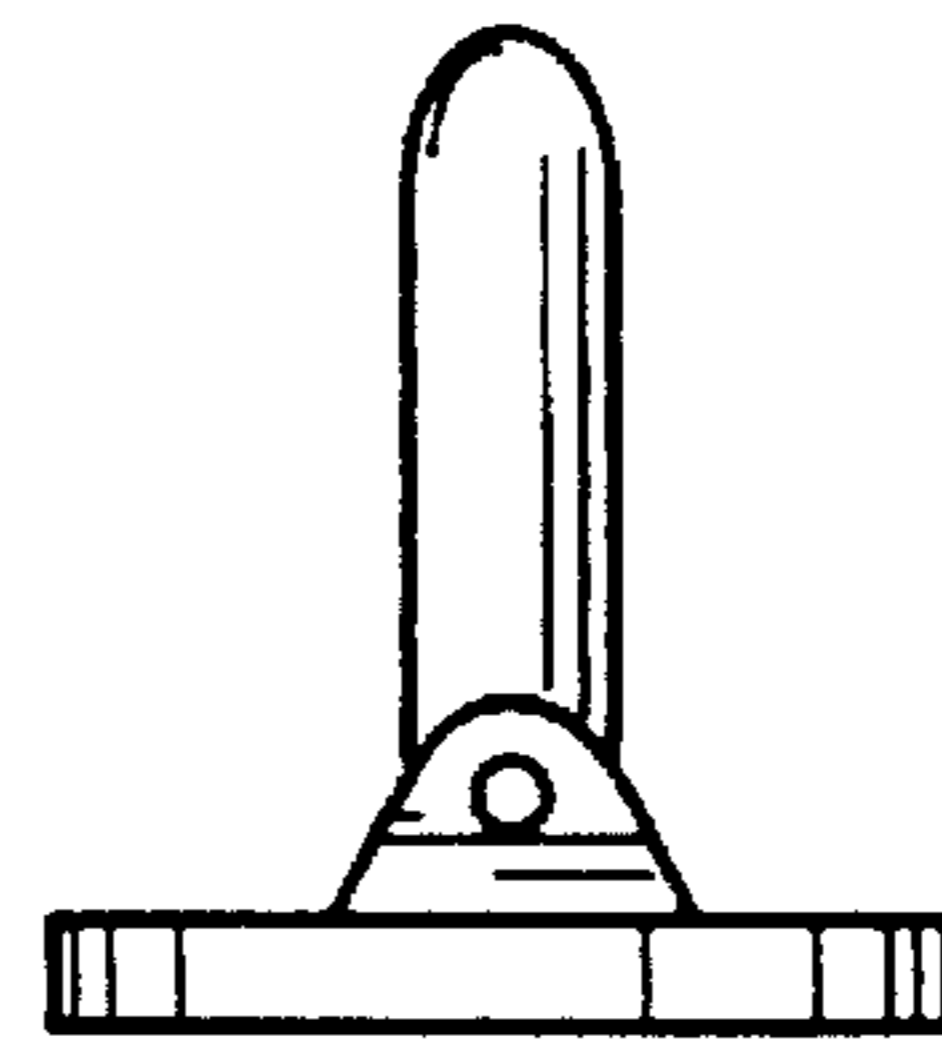


FIG. 13

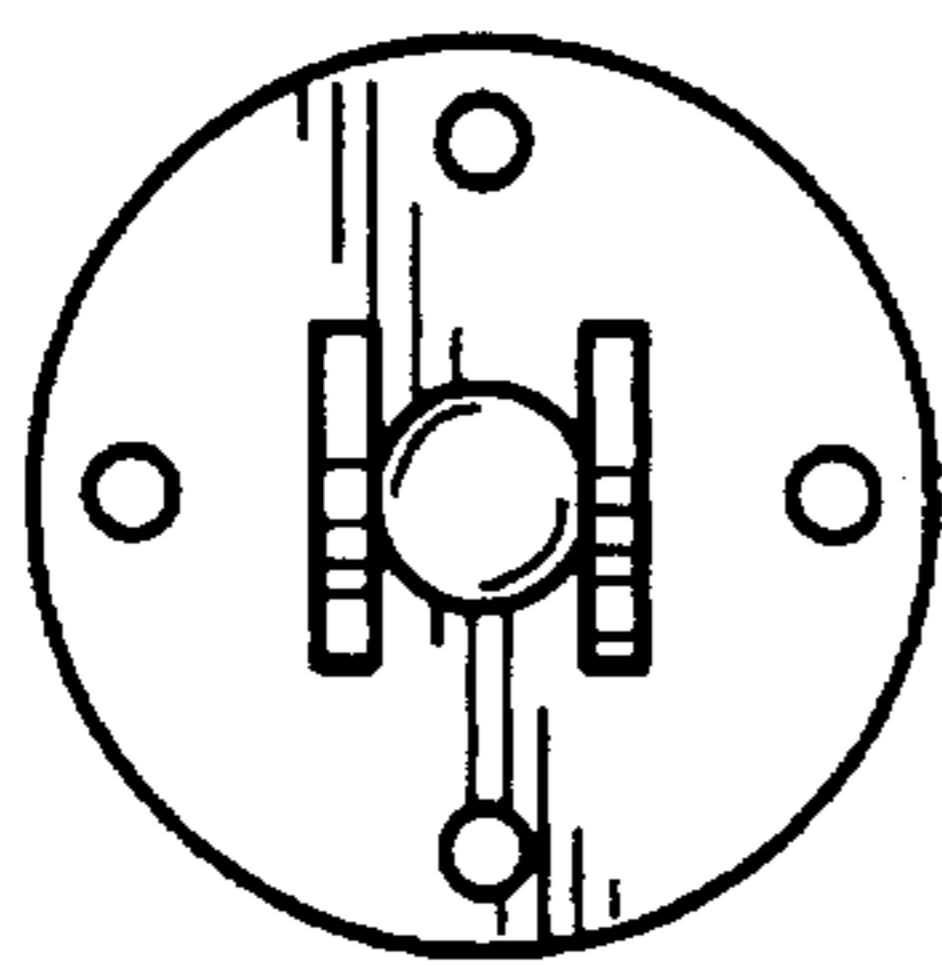


FIG. 14

