



US00D372986S

United States Patent [19]

[11] Patent Number: Des. 372,986

Oerther

[45] Date of Patent: **Aug. 20, 1996

[54] COMBINATION TREE STAND AND GAME CARRIER

5,282,520 2/1994 Walker D25/62
5,314,042 5/1994 Adams 182/20

[76] Inventor: John K. Oerther, 608 Montclair Rd., Frankfort, Ky. 40601

Primary Examiner—Doris Clark
Attorney, Agent, or Firm—James A. Hudak

[**] Term: 14 Years

[57] CLAIM

[21] Appl. No.: 41,361

The ornamental design for a combination tree stand and game holder, as shown and described.

[22] Filed: Jul. 12, 1995

[52] U.S. Cl. D25/62

[58] Field of Search D25/62, 64; 182/20, 182/115-116, 187, 180, 188, 129

DESCRIPTION

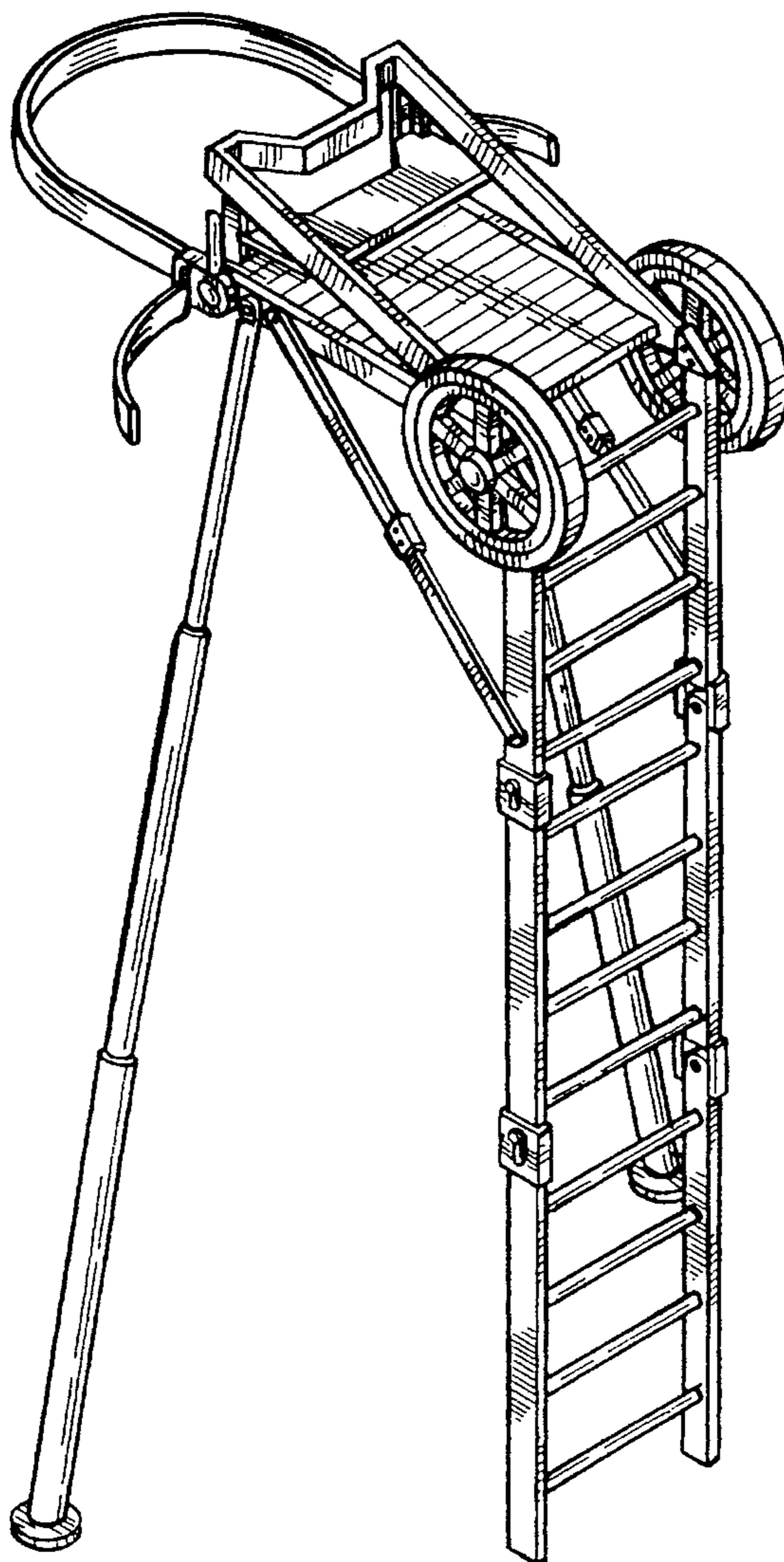
FIG. 1 is a perspective view of the combination tree stand and game carrier showing my new design; FIG. 2 is a front elevational view thereof; FIG. 3 is a rear elevational view thereof; FIG. 4 is a left side elevational view thereof, the right side elevational view being a mirror image of the view shown in this figure; FIG. 5 is a top plan view thereof; and, FIG. 6 is a bottom plan view thereof.

[56] References Cited

U.S. PATENT DOCUMENTS

3,352,379	11/1967	Riggs	182/20
3,430,972	3/1969	Fieldler	D25/64
3,630,314	12/1971	Bamburg	182/116
3,967,694	7/1976	Woolfolk, Sr.	182/115
4,045,040	8/1977	Fails	182/20
5,064,020	11/1991	Eagleson	182/20

1 Claim, 4 Drawing Sheets



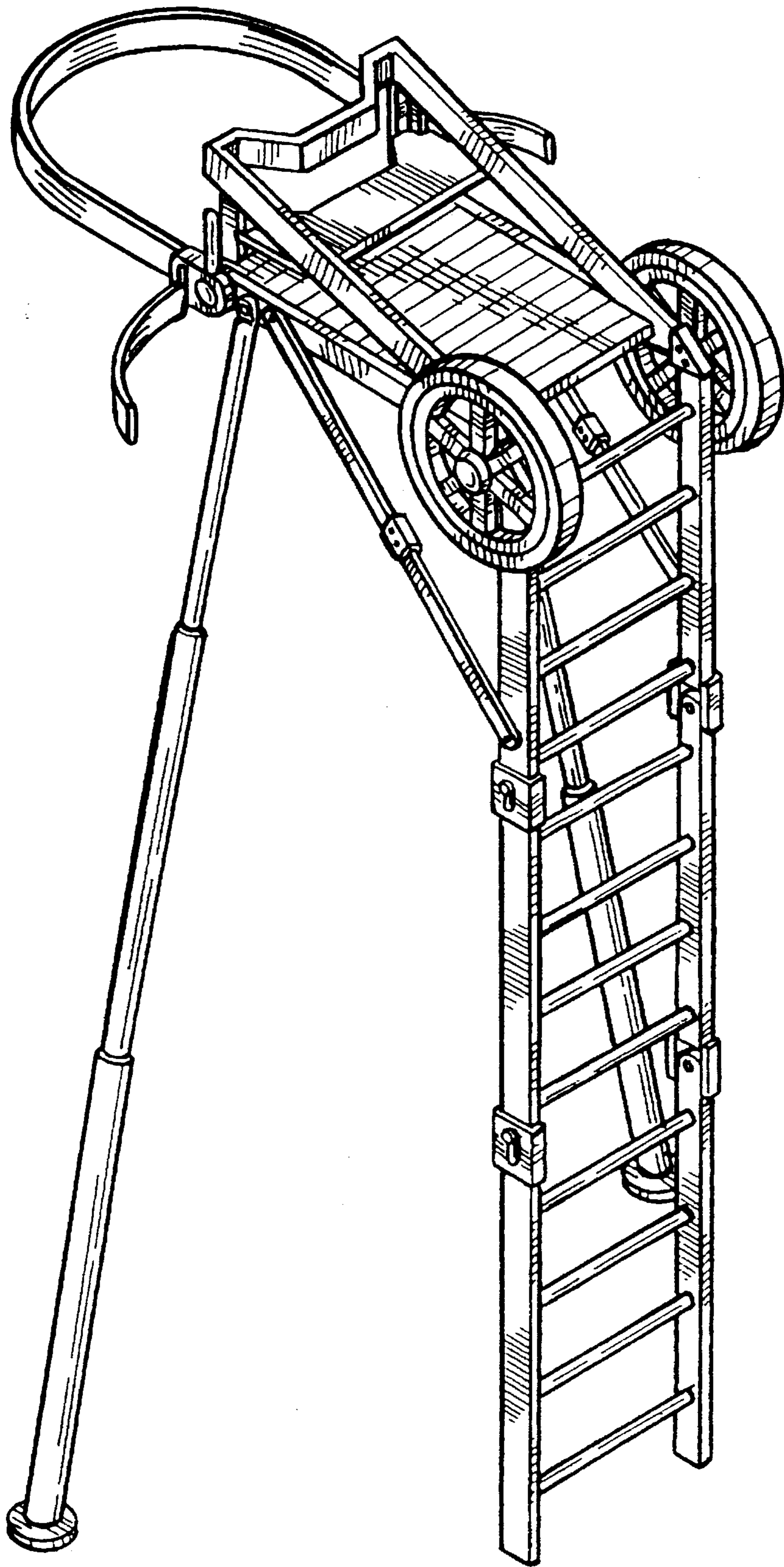


FIG. 1

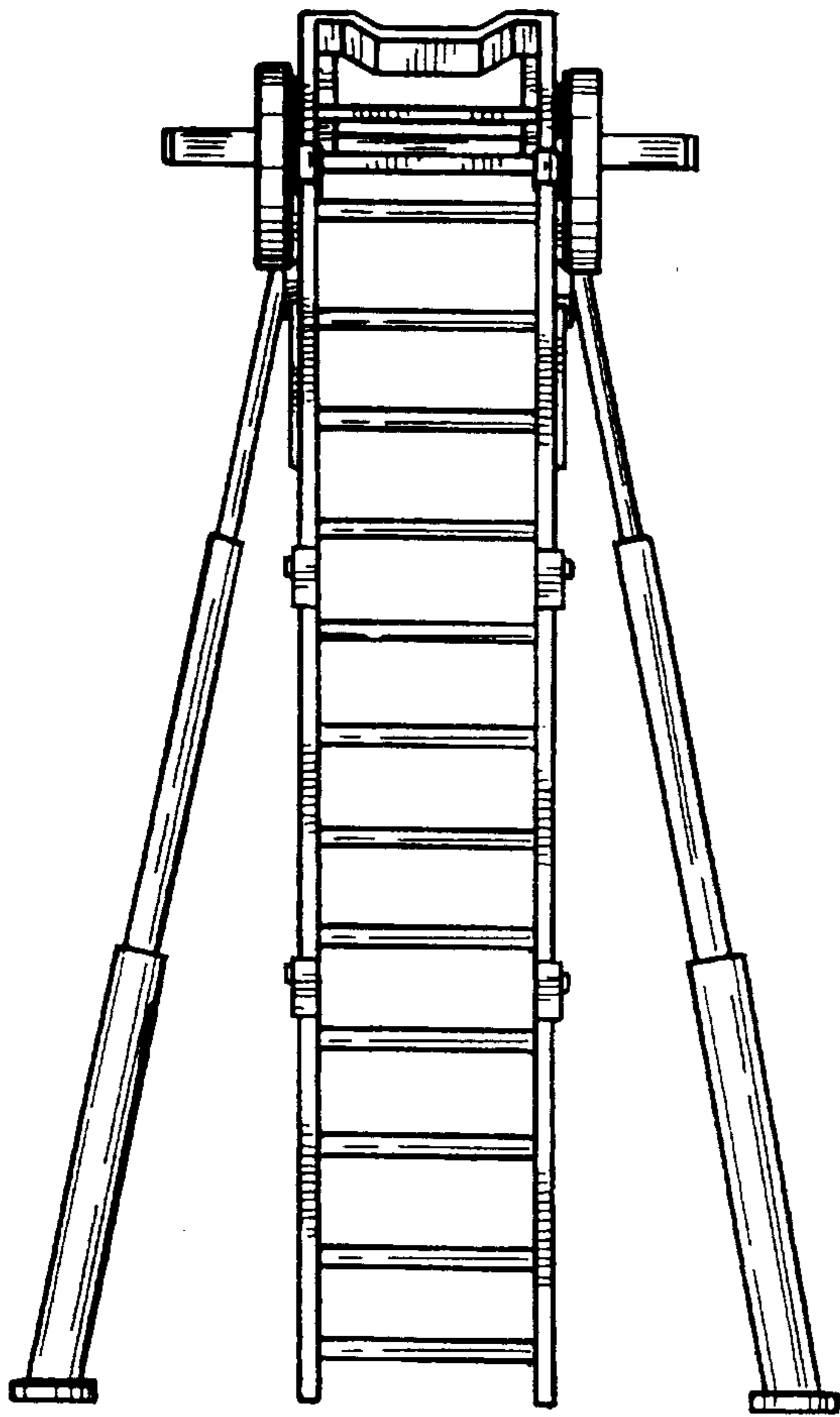


FIG. 2

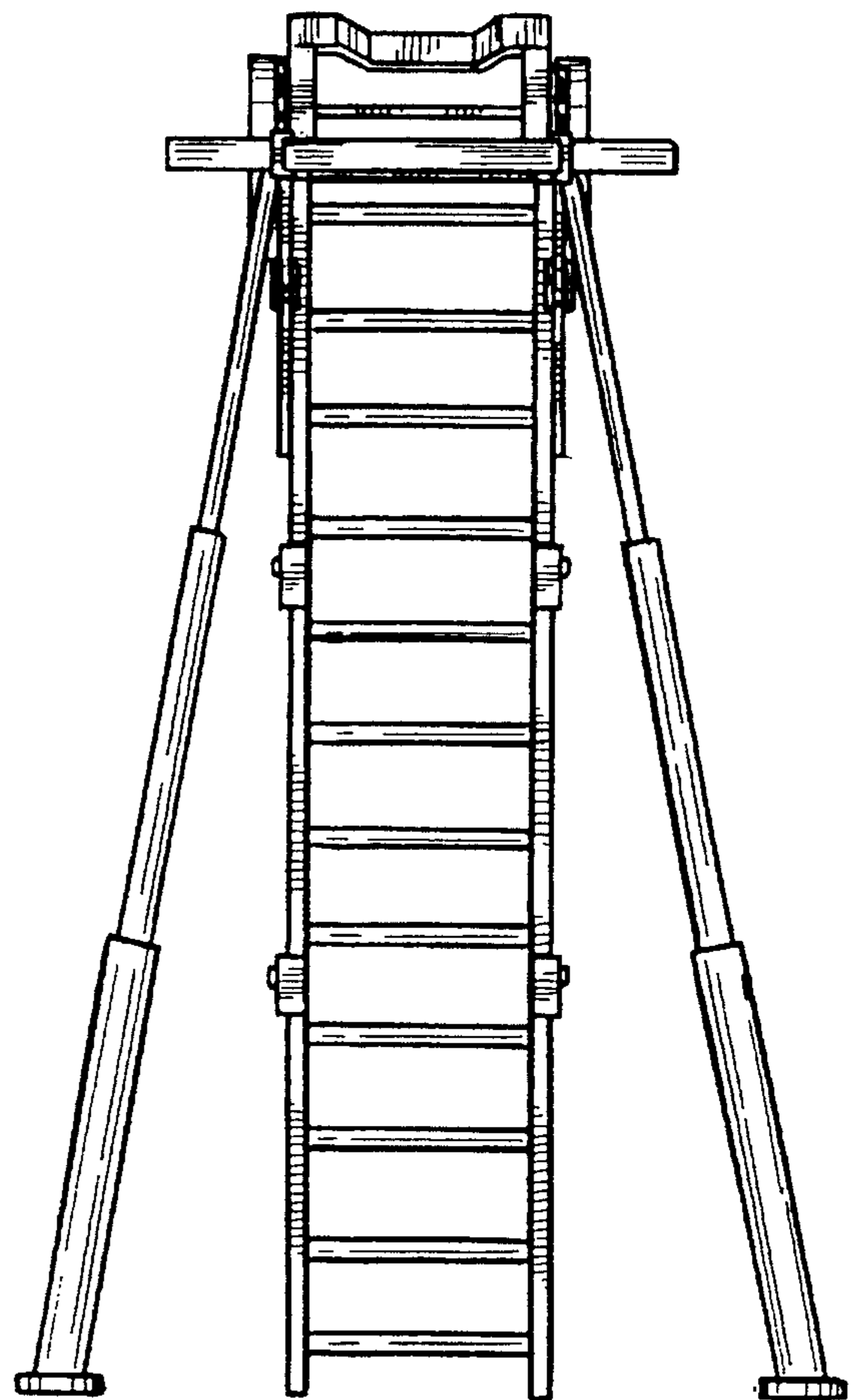


FIG. 3

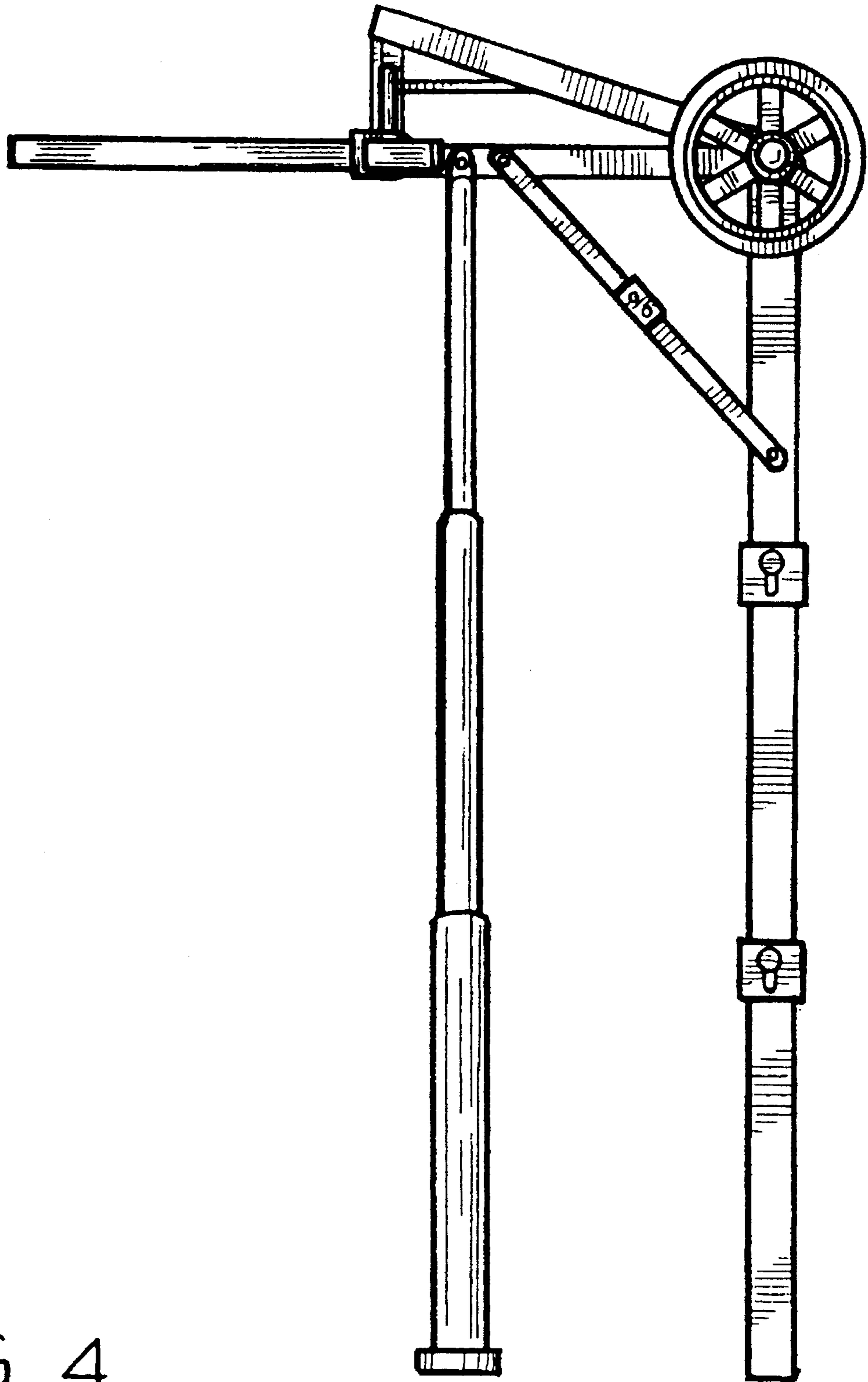


FIG. 4

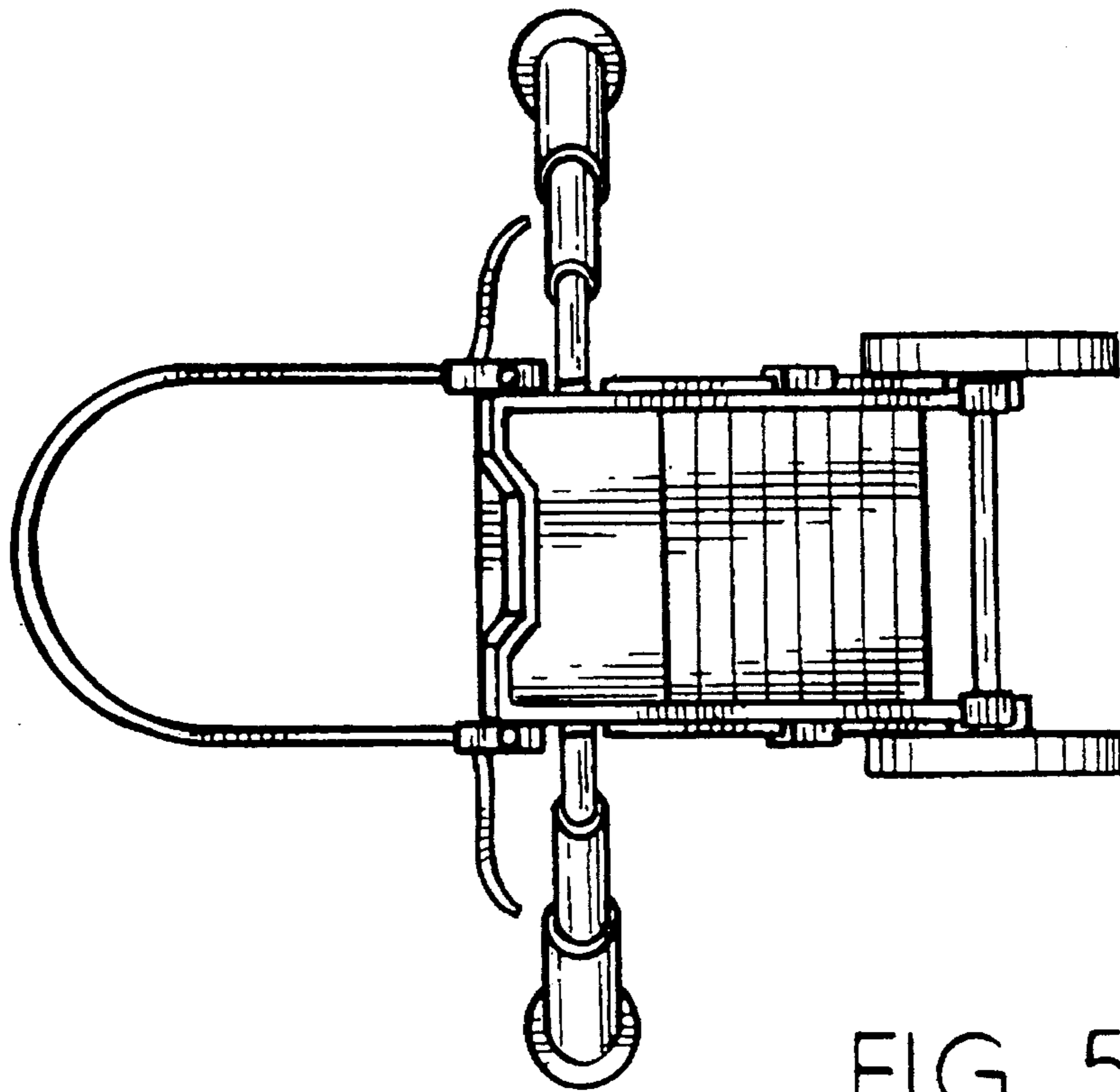


FIG. 5

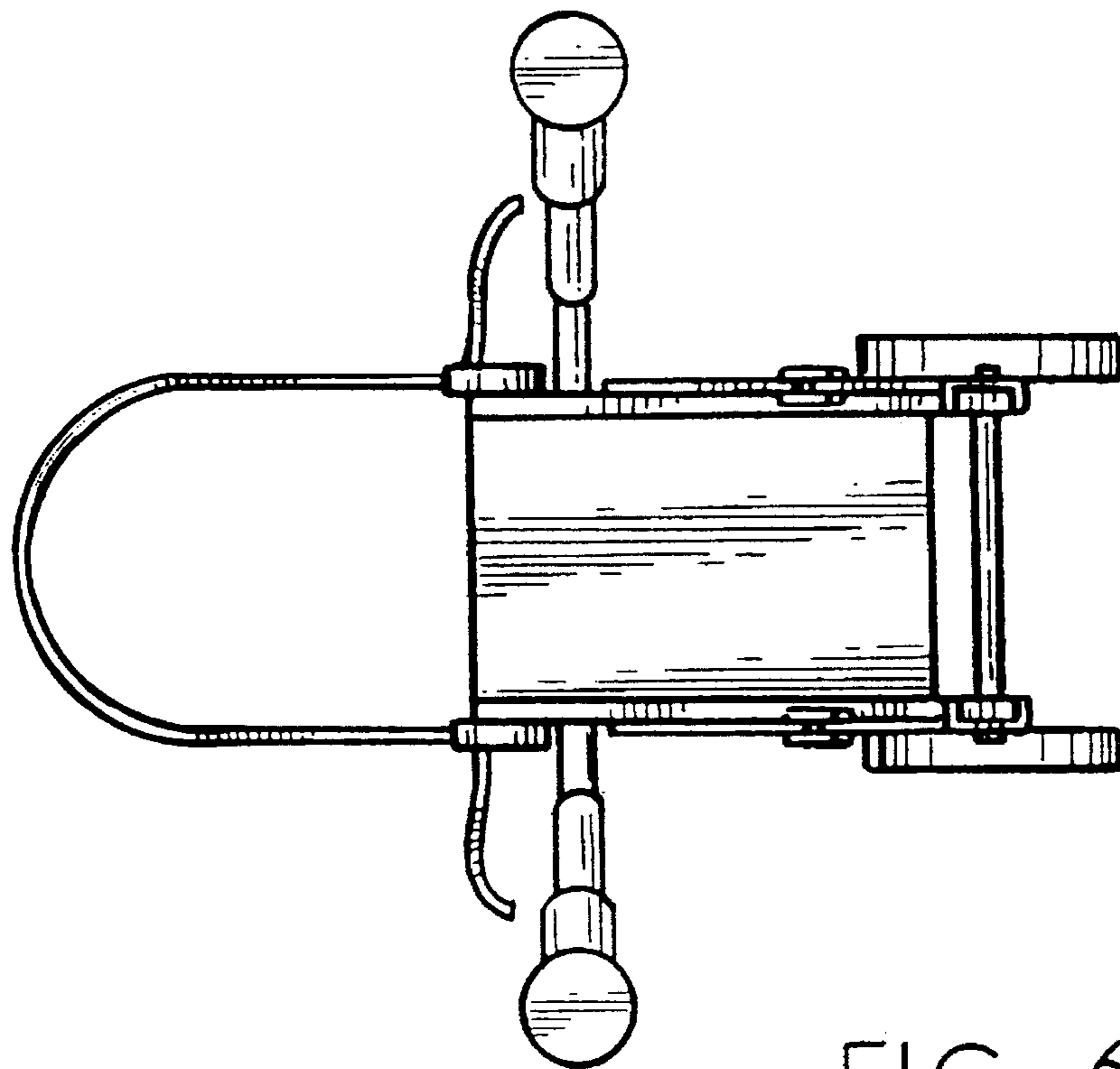


FIG. 6