



US00D372985S

# United States Patent [19] Bourgault

[11] Patent Number: Des. 372,985

[45] Date of Patent: \*\*Aug. 20, 1996

[54] STAIRS FOR SWIMMING POOL

[76] Inventor: **Jean Bourgault**, 1, Bercy Street,  
Candiac, Quebec, Canada, J5R 4B8

[\*\*] Term: **14 Years**

[21] Appl. No.: **39,266**

[22] Filed: **May 25, 1995**

[52] U.S. Cl. .... **D25/2; D25/1; D25/63**

[58] Field of Search ..... **D25/1, 2, 62, 63,  
D25/64, 65, 68, 69; D21/109; 4/496, 506,  
513; 52/6, 27, 64, 73, 79.6, 169.6, 169.7,  
182, 187, 189; 249/14, DIG. 3**

[56] **References Cited**

**U.S. PATENT DOCUMENTS**

3,894,614	7/1975	Naka	52/187 X
4,404,697	9/1983	Hatcher	4/496 X
4,417,429	11/1983	Stussi	52/182
4,589,237	5/1986	Dahowski	4/506 X
4,599,835	7/1986	Rinke	52/184
5,186,874	2/1993	McLaughlin	52/187 X
5,192,162	3/1993	McKinnon	4/506 X

**OTHER PUBLICATIONS**

Publication: EZ STEPS—Assembly & Installation Instructions.—1989.

Publication: Profitez encore plus de votre piscine EZ STEPS ©1988.

Primary Examiner—Louis S. Zarfes

Assistant Examiner—Monica A. Hannon

Attorney, Agent, or Firm—Bell, Seltzer, Park & Gibson, P.A.

[57] **CLAIM**

The ornamental design for stairs for swimming pool, as shown and described.

**DESCRIPTION**

FIG. 1 is a front perspective view of the stairs for swimming pool;

FIG. 2 is a front elevational view of the stairs for swimming pool;

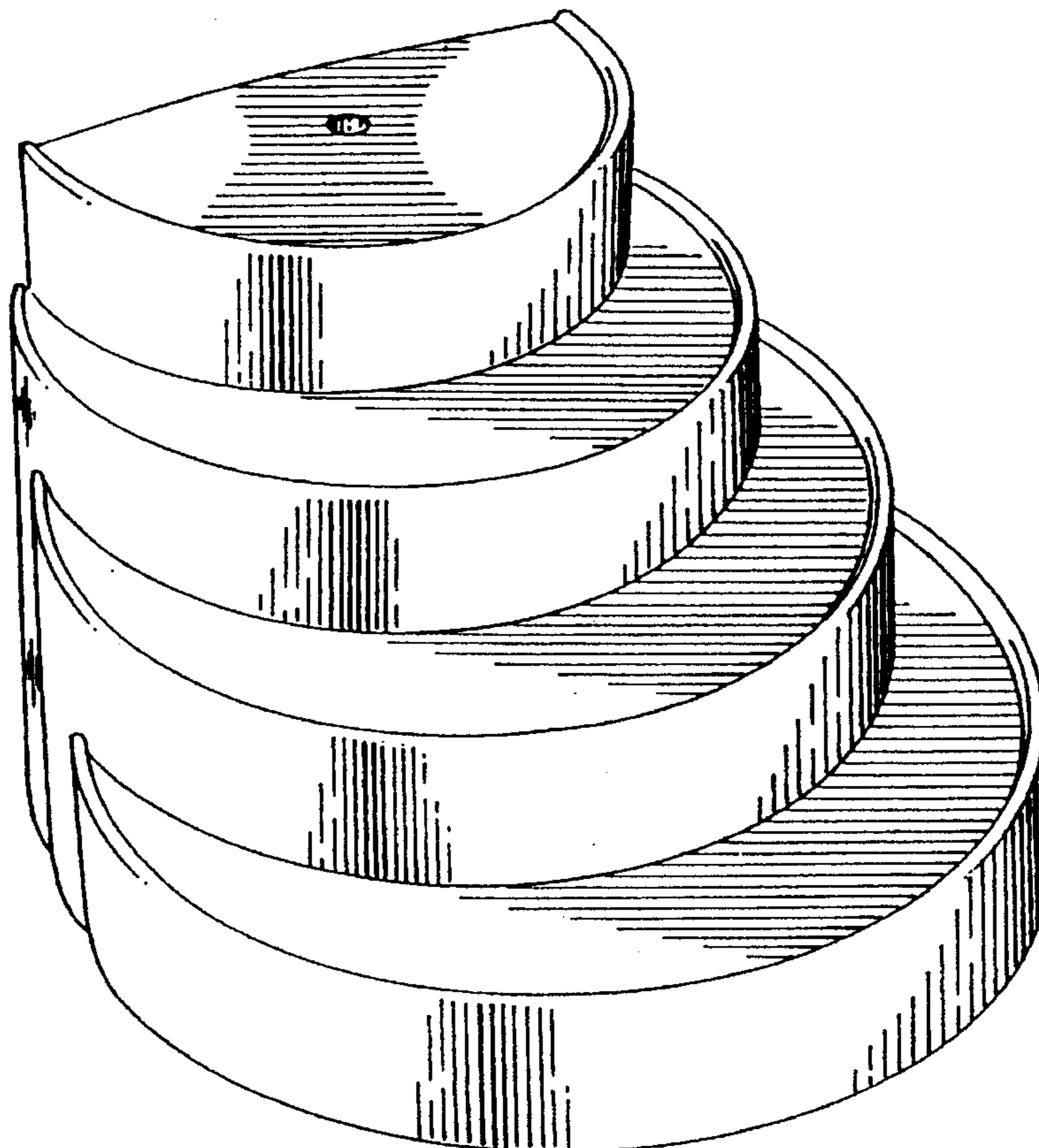
FIG. 3 is a rear elevational view of the stairs for swimming pool;

FIG. 4 is a top plan view of the stairs for swimming pool;

FIG. 5 is a bottom view of the stairs for swimming pool; and,

FIG. 6 is the left side elevational view of the stairs for swimming pool which is identical to the right side elevational view of the stairs for swimming pool.

**1 Claim, 4 Drawing Sheets**



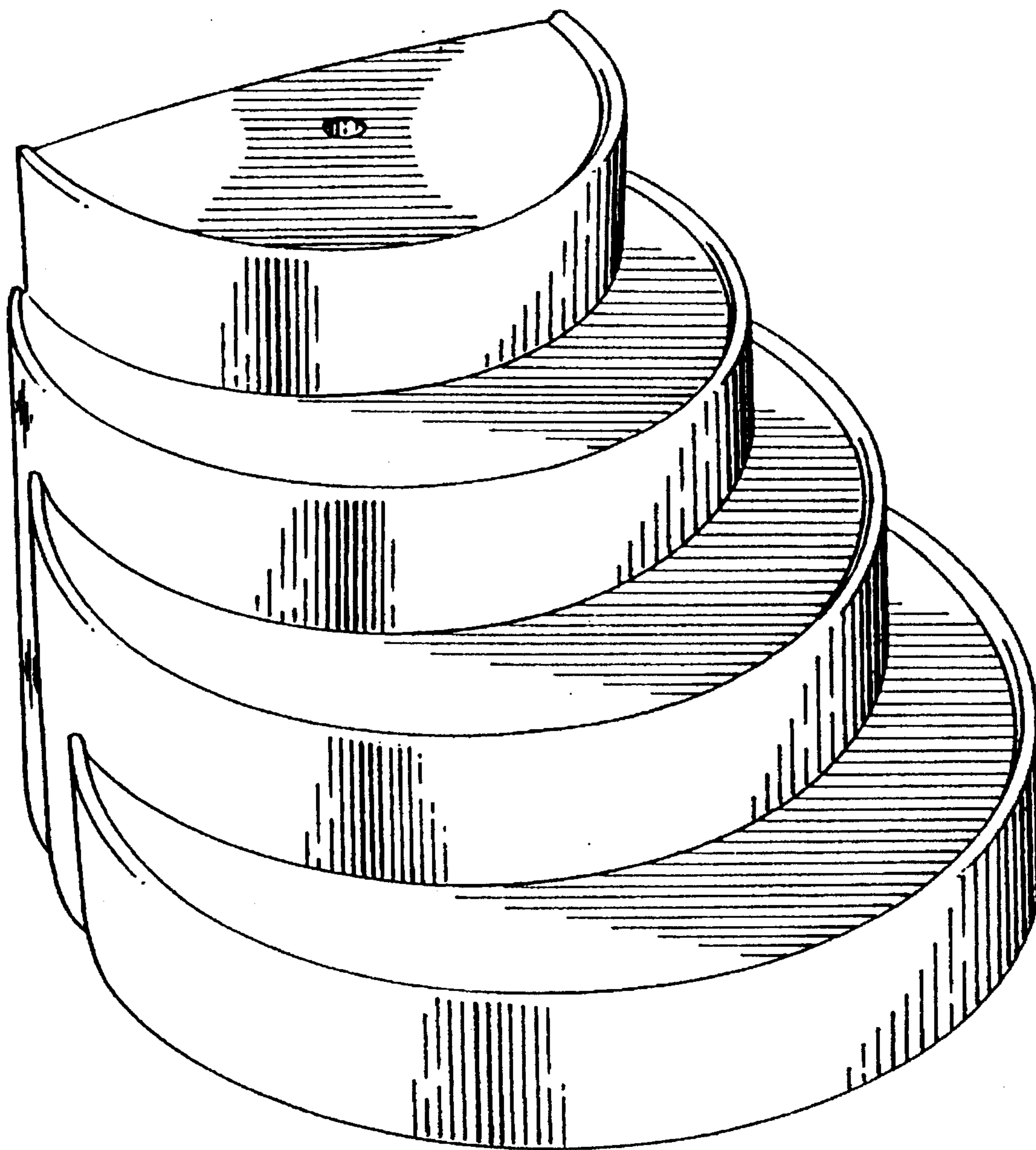


FIG. 1

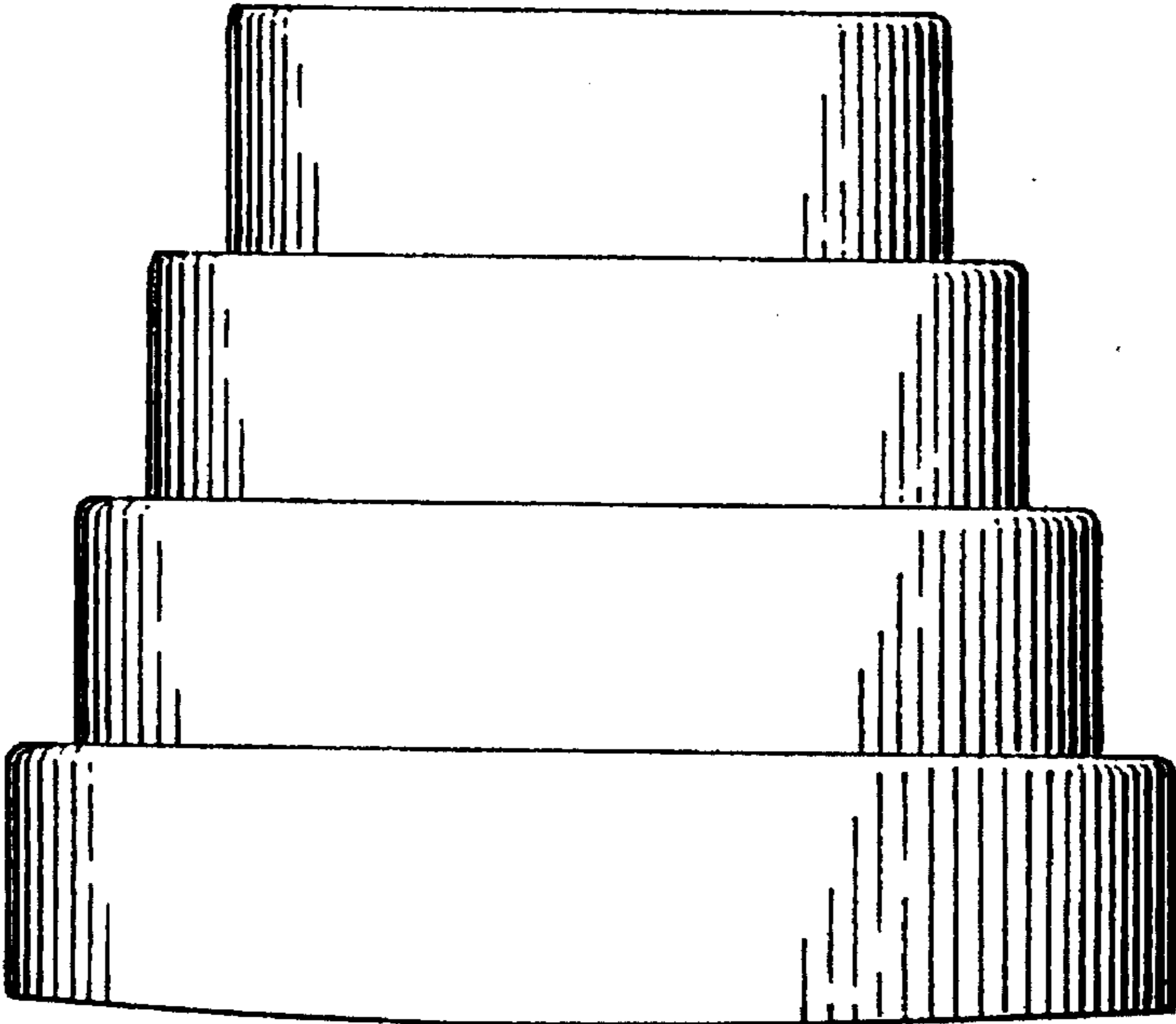


FIG. 2

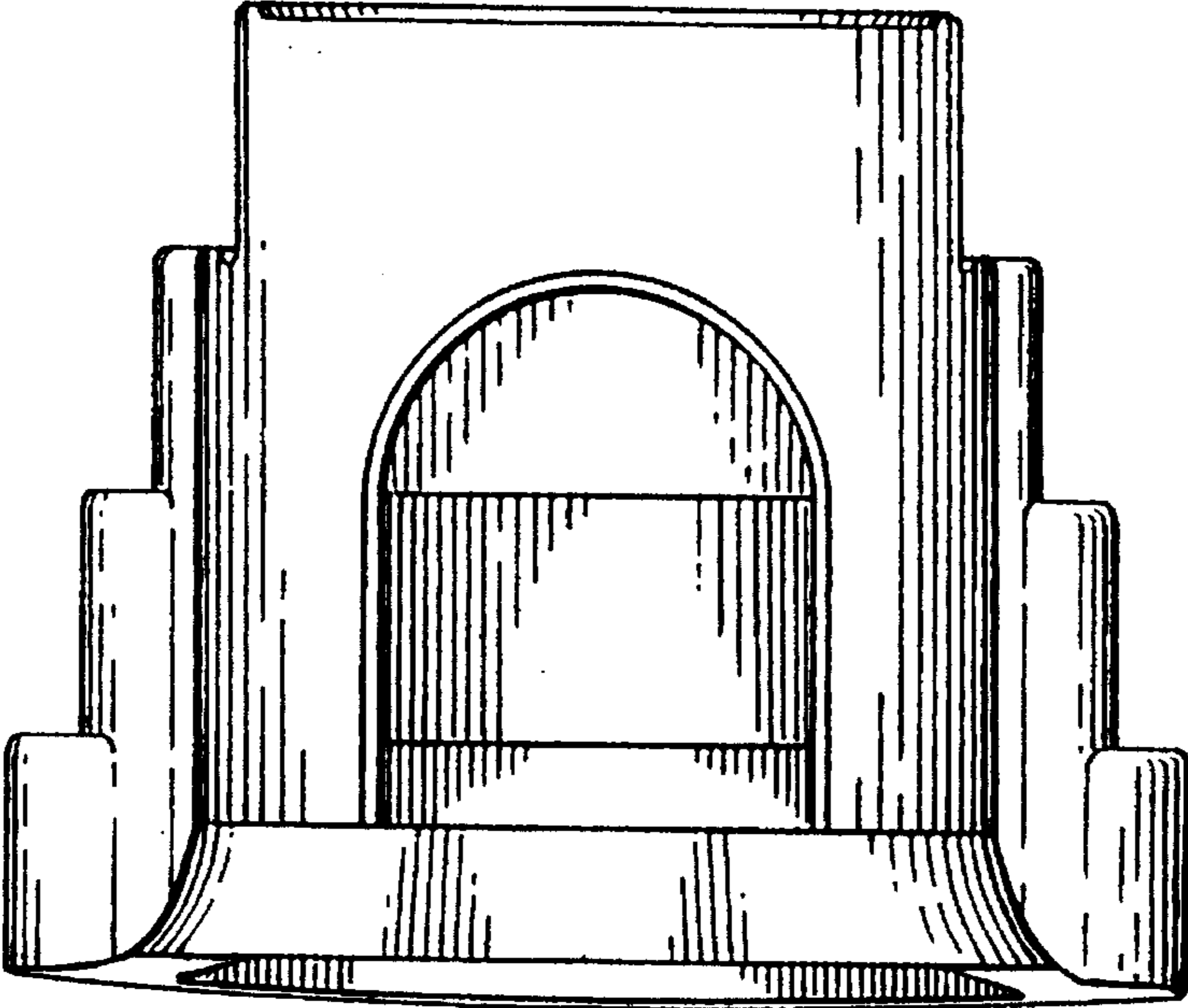


FIG. 3

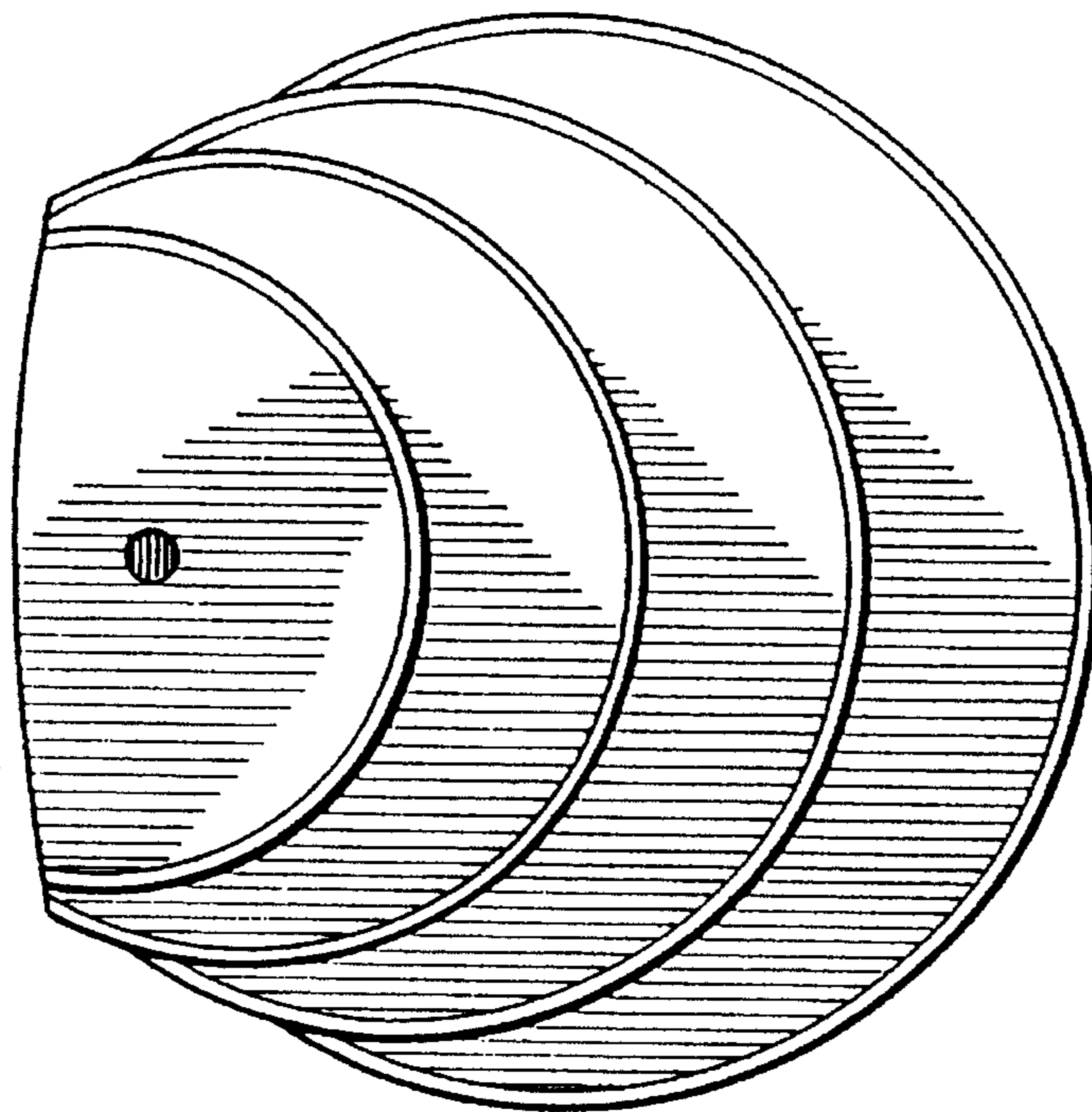


FIG. 4

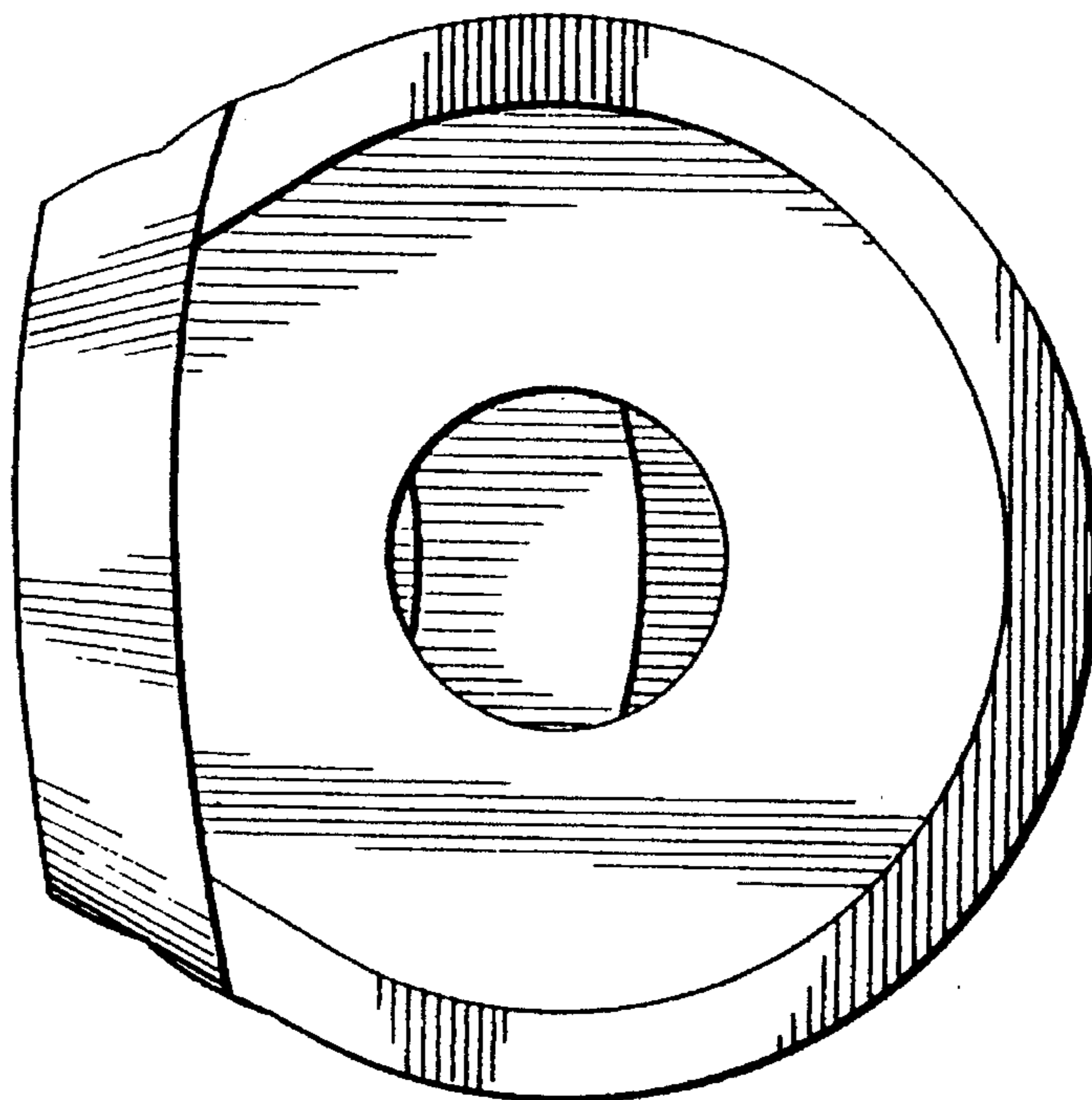


FIG. 5

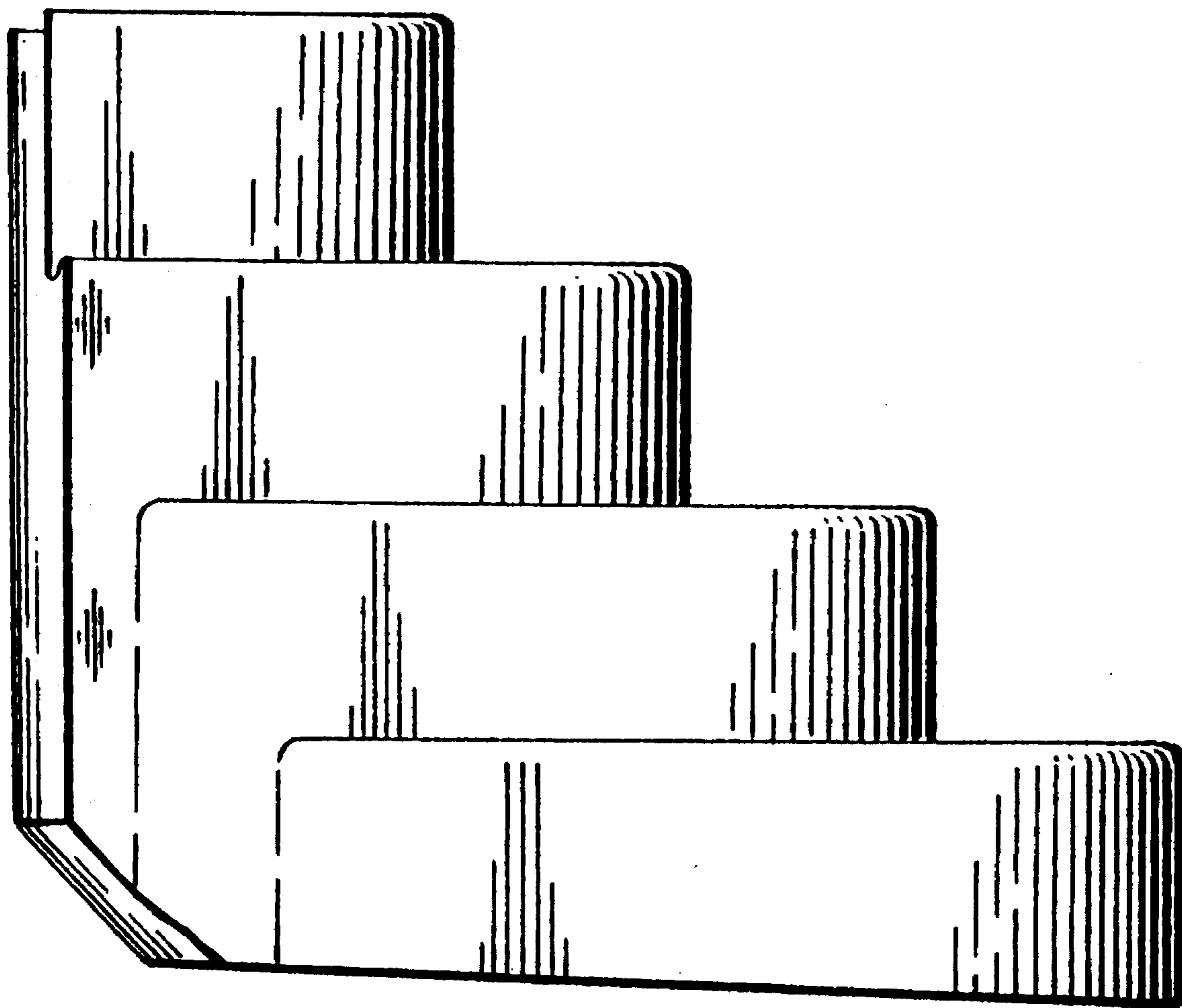


FIG. 6



US008372985B1

# REEXAMINATION CERTIFICATE (3895th)

**United States Patent** [19]

[11] **B1 Des. 372,985**

**Bourgault**

[45] **Certificate Issued**

**Oct. 5, 1999**

[54] **STAIRS FOR SWIMMING POOL**

[51] **LOC (6) Cl.** ..... **25-03**

[75] **Inventor: Jean Bourgault, Candiac, Canada**

[52] **U.S. Cl.** ..... **D25/2; D25/1; D25/3**

[73] **Assignee: Les Produits De Resine Access, Inc.,  
St-Lambert, Canada**

[58] **Field of Search** ..... **D25/1, 2, 63, 64,  
D25/65, 68, 69; D21/109; 4/496, 506, 513;  
52/6, 27, 64, 73, 79.6, 169.6, 169.7, 182,  
187, 189; 249/147, DIG. 3**

**Reexamination Request:**

No. 90/005,074, Aug. 17, 1998

[56]

**References Cited**

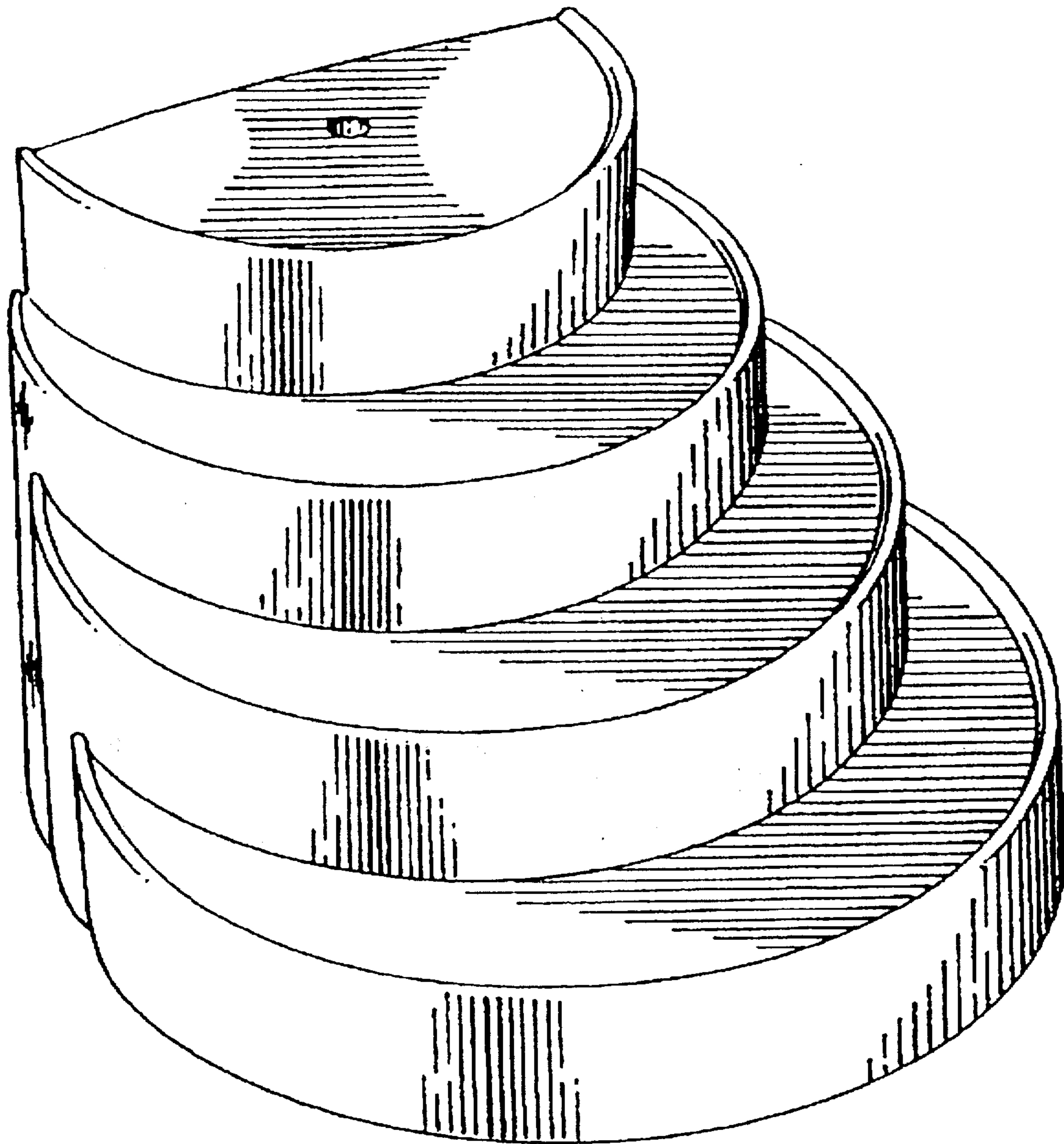
**PUBLICATIONS**

**Reexamination Certificate for:**

**Patent No.: D. 372,985**  
**Issued: Aug. 20, 1996**  
**Appl. No.: 29/039,266**  
**Filed: May 25, 1995**

Publication: "The Wizard of Oz", Metro-Goldwyn, Mayer,  
© 1939.

*Primary Examiner*—Louis S. Zarfes



B1 Des. 372.985

1

**REEXAMINATION CERTIFICATE  
ISSUED UNDER 35 U.S.C. 307**

NO AMENDMENTS HAVE BEEN MADE TO  
THE PATENT

2

AS A RESULT OF REEXAMINATION, IT HAS BEEN  
DETERMINED THAT:

The patentability of the one claim is confirmed.

\* \* \* \* \*