



US00D372978S

United States Patent [19]
Harvey

[11] **Patent Number: Des. 372,978**
[45] **Date of Patent: **Aug. 20, 1996**

[54] **SCRATCHING IMPLEMENT FOR CASTED AND INACCESSIBLE MEMBERS**

[76] Inventor: **Alan W. Harvey**, 1712 S. Charles St., Baltimore, Md. 21230

[**] Term: **14 Years**

[21] Appl. No.: **31,090**

[22] Filed: **Nov. 17, 1994**

[52] **U.S. Cl.** **D24/147**; D24/133; D28/99

[58] **Field of Search** D28/7, 99; D24/200, D24/214, 147, 133; 601/136-139, 141; D4/104, 110, 136, 107; 30/164.9; 15/187, 188, 236.5-236.8

[56] **References Cited**

U.S. PATENT DOCUMENTS

D. 266,280 9/1982 Toyama D28/99

Primary Examiner—Ted Shooman

Assistant Examiner—C. Tuttle

Attorney, Agent, or Firm—David L. Baker; Rhodes & Ascolillo

[57] **CLAIM**

The ornamental design for a scratching implement for casted and inaccessible members, as shown and described.

DESCRIPTION

FIG. 1 is a perspective view of a scratching implement for casted and inaccessible members showing my new design therefor;

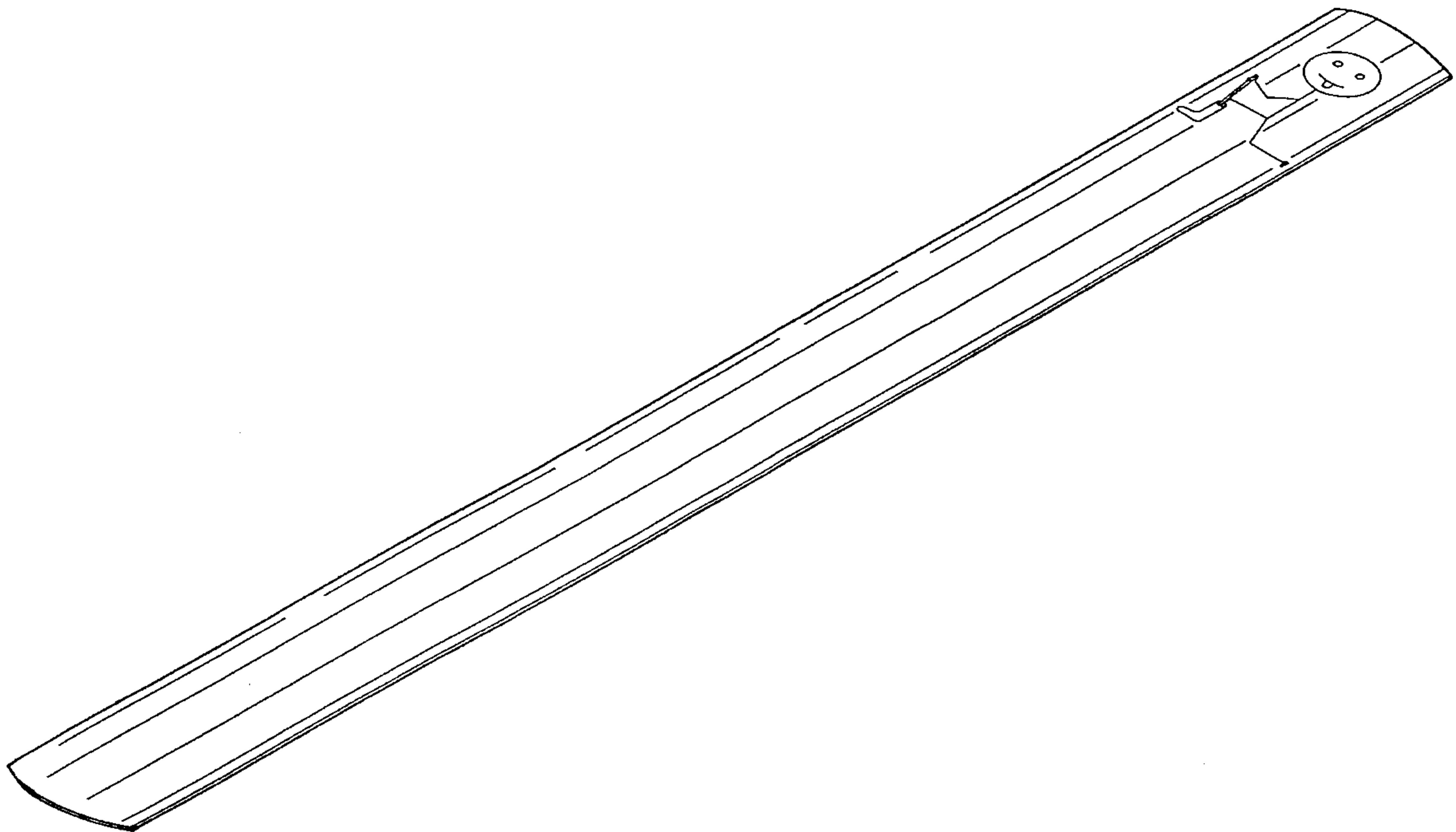
FIG. 2 is a front elevational view, the rear elevational view being a mirror image thereof;

FIG. 3 is a right side elevational view shown partially broken away for ease of illustration, the side opposite being a mirror image of the side shown;

FIG. 4 is a top plan view thereof; and,

FIG. 5 is a bottom plan view thereof.

1 Claim, 2 Drawing Sheets



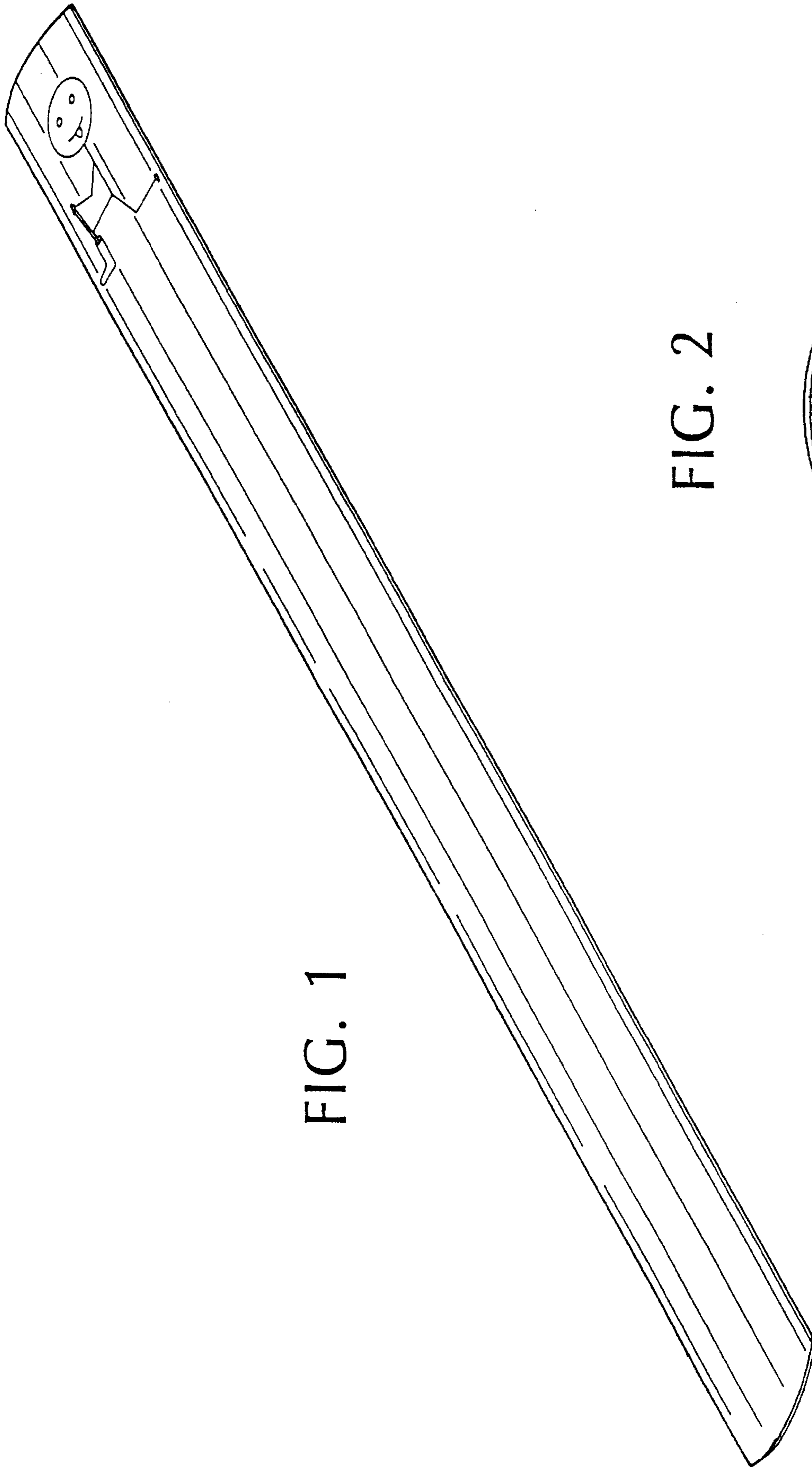


FIG. 1

FIG. 2



FIG. 3



FIG. 4

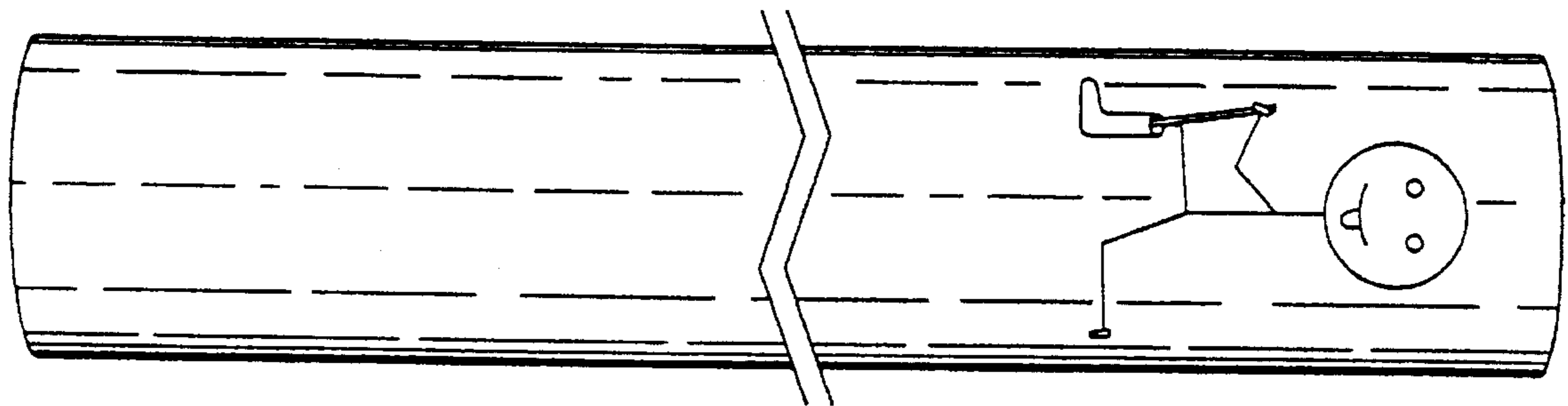


FIG. 5

