



US00D372977S

United States Patent [19]
Bishay

[11] **Patent Number: Des. 372,977**
[45] **Date of Patent: **Aug. 20, 1996**

[54] **DEFIBRILLATOR**

[75] Inventor: **Jon M. Bishay**, Woodinville, Wash.

[73] Assignee: **Heartstream, Inc.**, Seattle, Wash.

[**] Term: **14 Years**

[21] Appl. No.: **38,858**

[22] Filed: **May 11, 1995**

[52] U.S. Cl. **D24/167**

[58] **Field of Search** D24/168, 167;
128/704, 703, 702, 708, 695, 696, 639;
607/4, 5, 6

[56] **References Cited**

U.S. PATENT DOCUMENTS

D. 287,758	1/1987	Chennault et al.	D24/167
D. 291,245	8/1987	Lanci et al.	D24/167
D. 326,522	5/1992	Amoy et al.	D24/167

Primary Examiner—Stella Reid
Attorney, Agent, or Firm—Morrison & Foerster

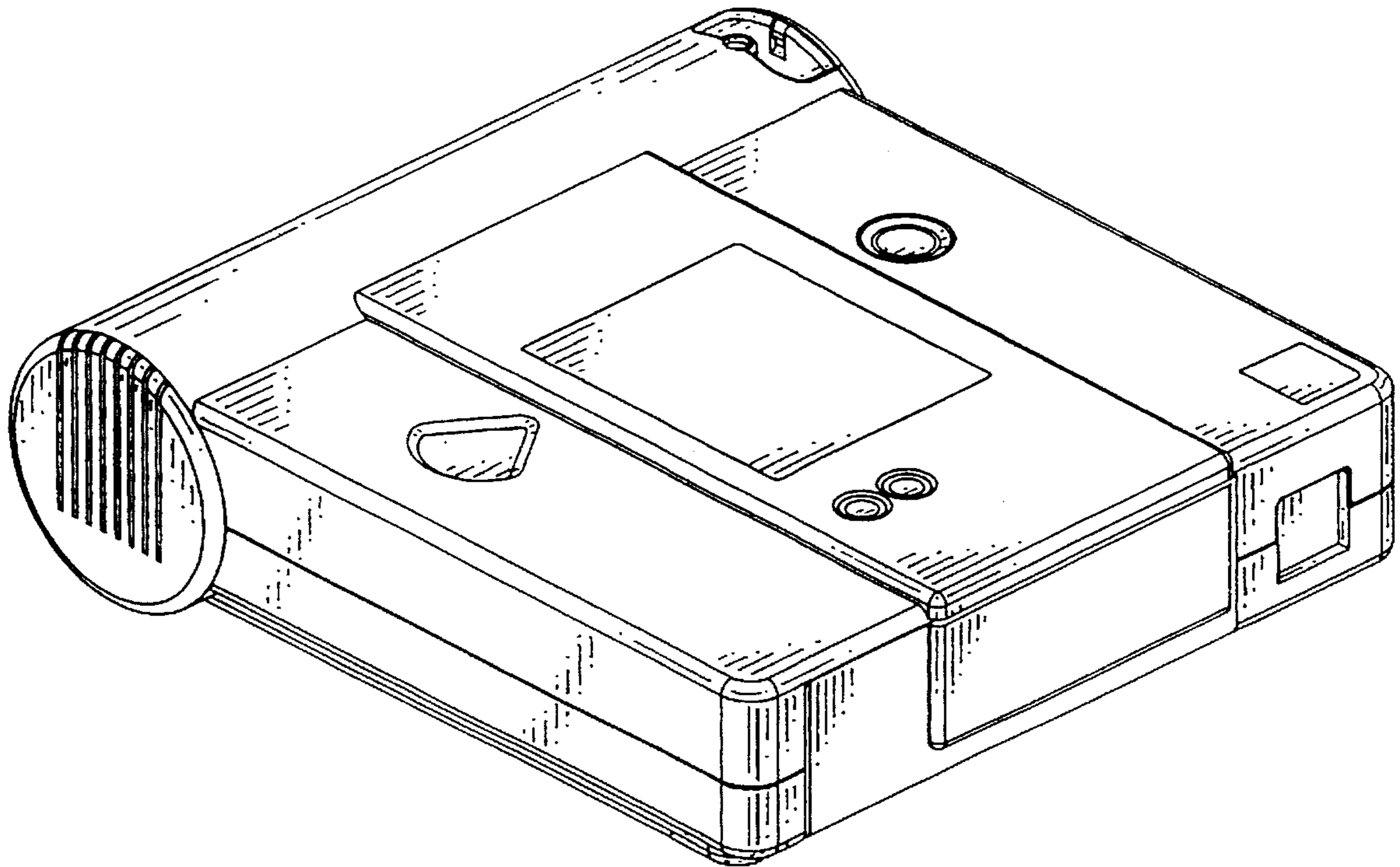
[57] **CLAIM**

The ornamental design for a defibrillator, as shown and described.

DESCRIPTION

FIG. 1 is a perspective view of a defibrillator showing my new design showing the top and front of the defibrillator; FIG. 2 is a perspective view of the defibrillator showing the bottom and back of the defibrillator; FIG. 3 is a perspective view of the defibrillator showing the bottom and front of the defibrillator; FIG. 4 is a top elevational view of the defibrillator; FIG. 5 is a bottom elevational view of the defibrillator; FIG. 6 is an elevational view of the front of the defibrillator; FIG. 7 is an elevational view of the back of the defibrillator; FIG. 8 is an elevational view of one side of the defibrillator; and, FIG. 9 is an elevational view of the other side of the defibrillator.

1 Claim, 4 Drawing Sheets



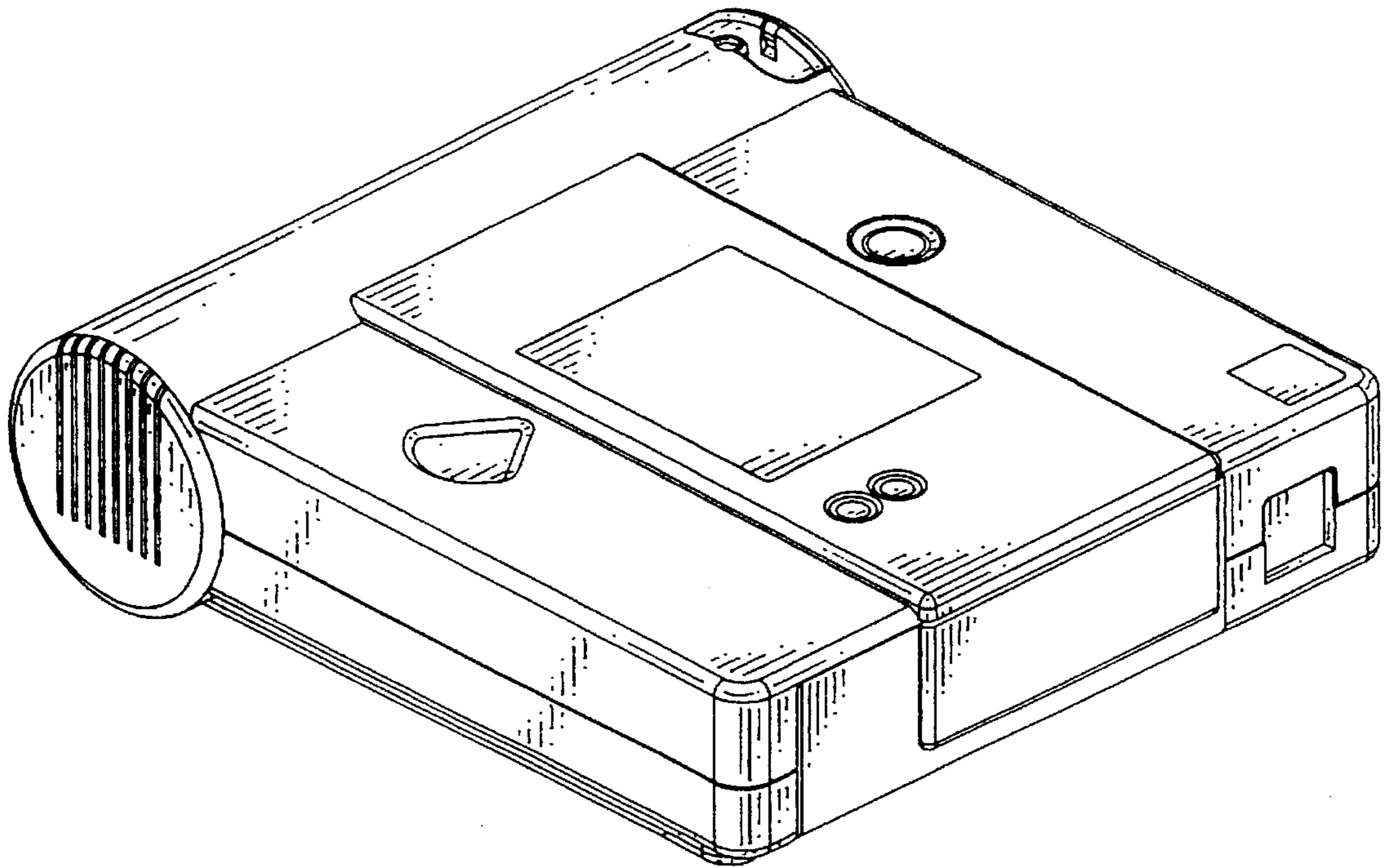


FIG. 1

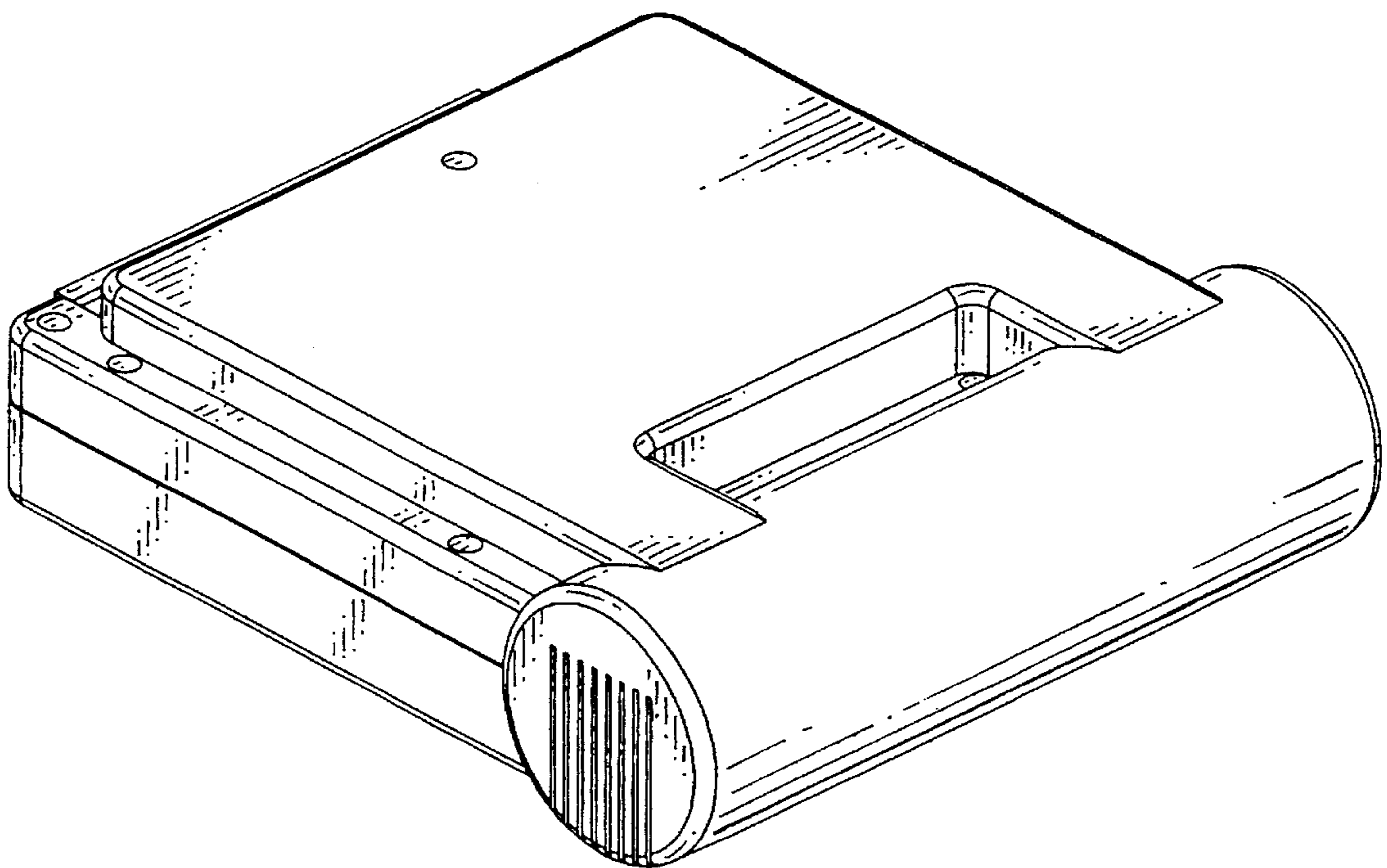


FIG. 2

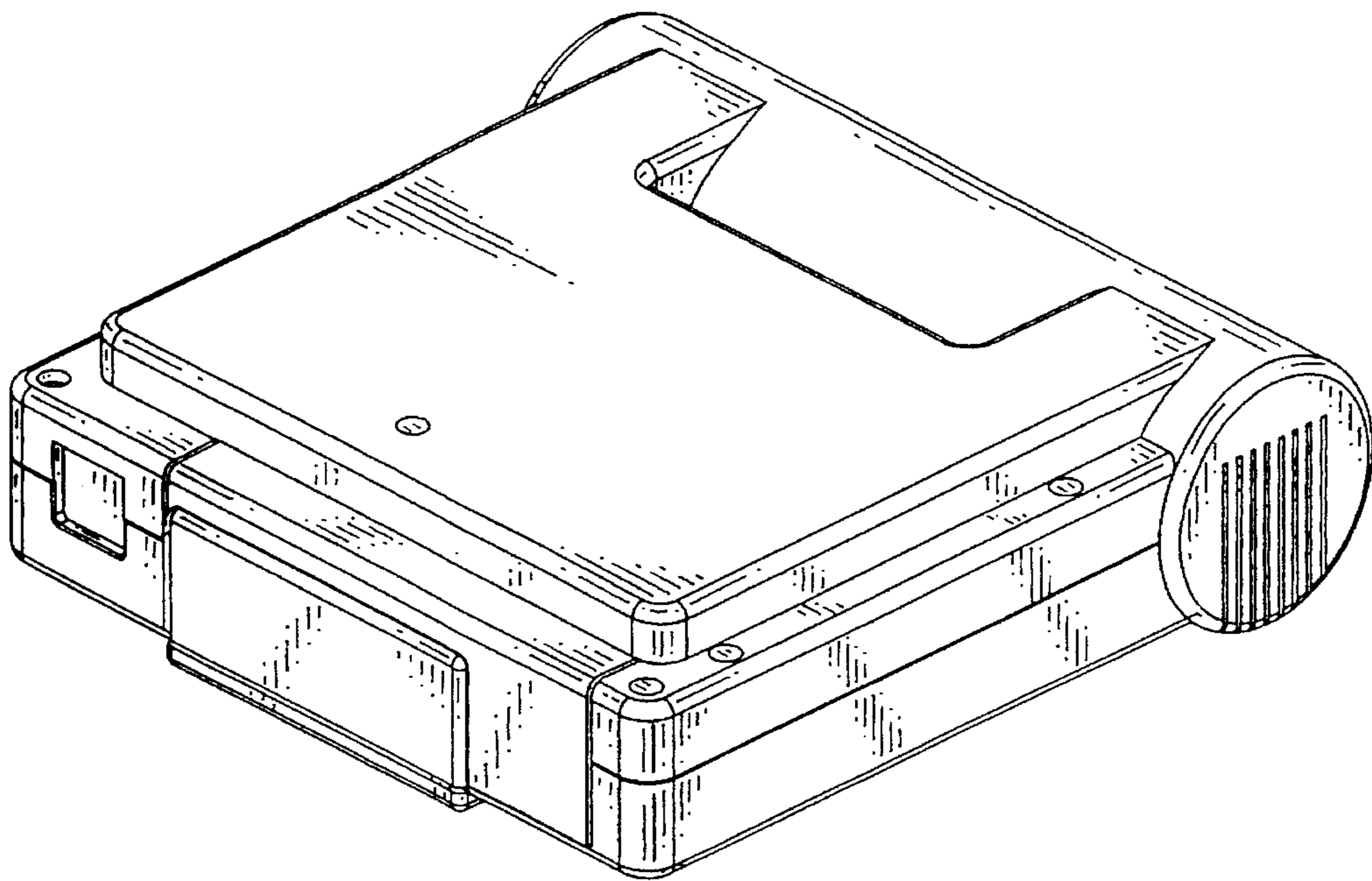


FIG. 3

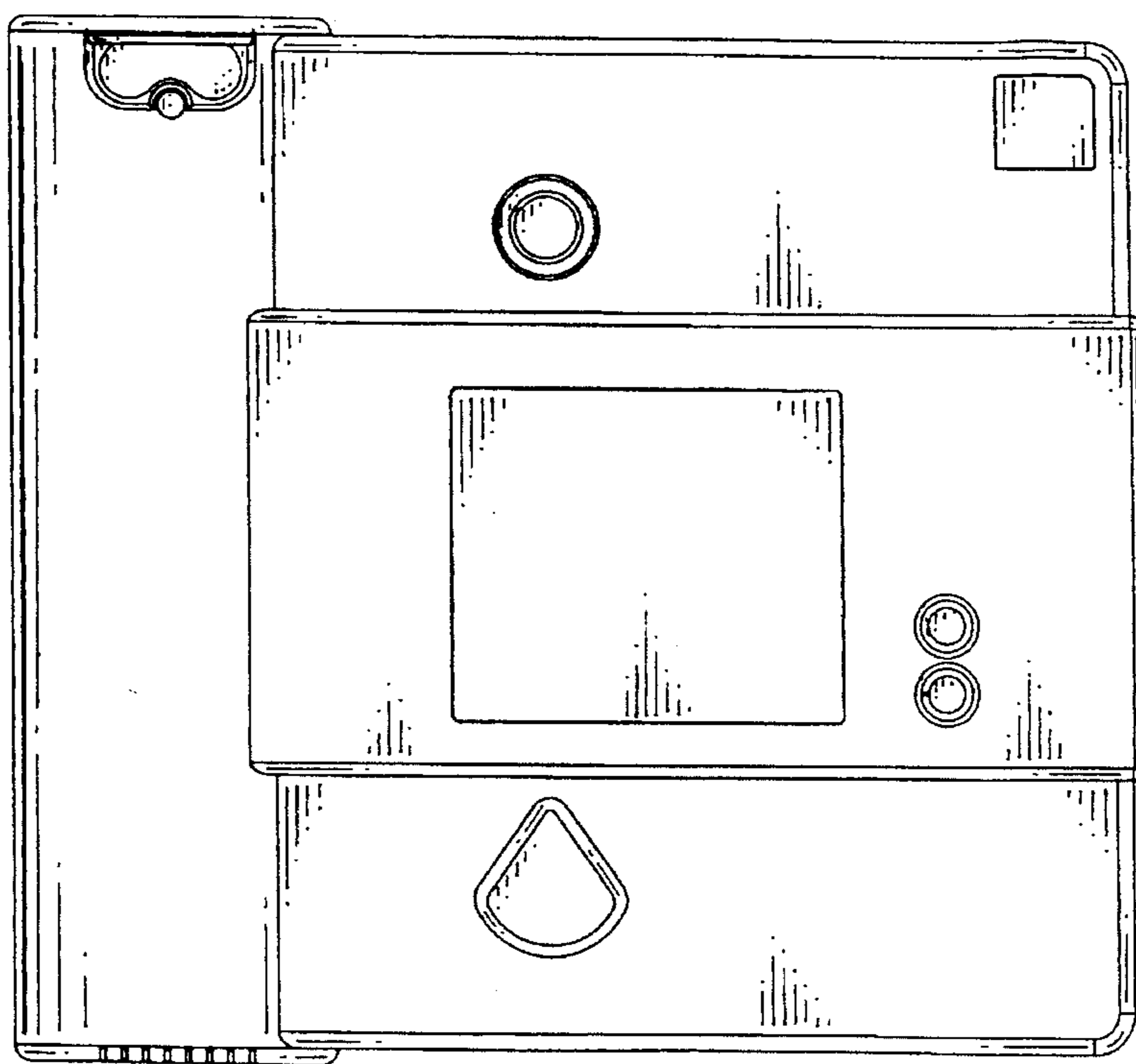


FIG. 4

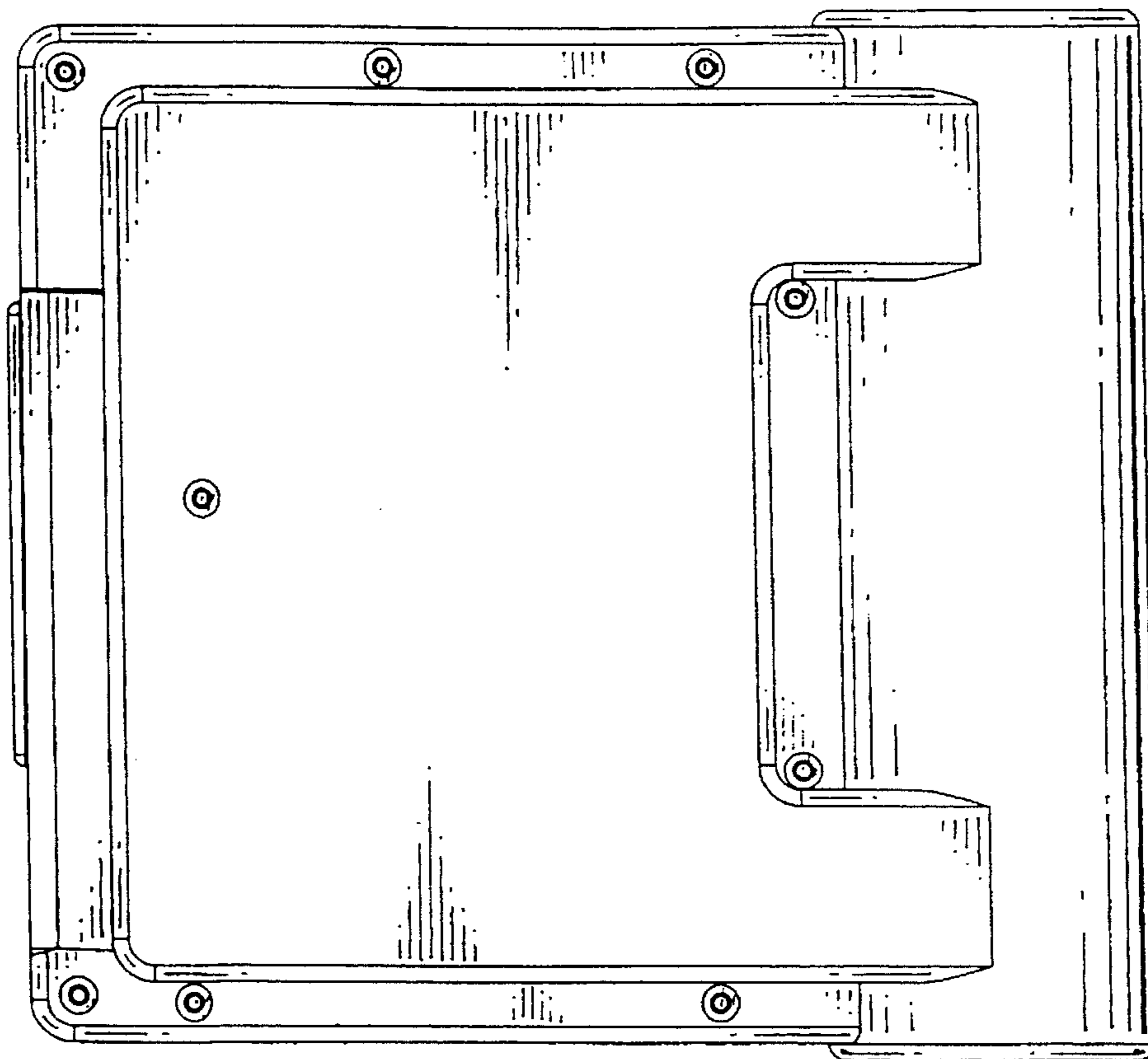


FIG. 5

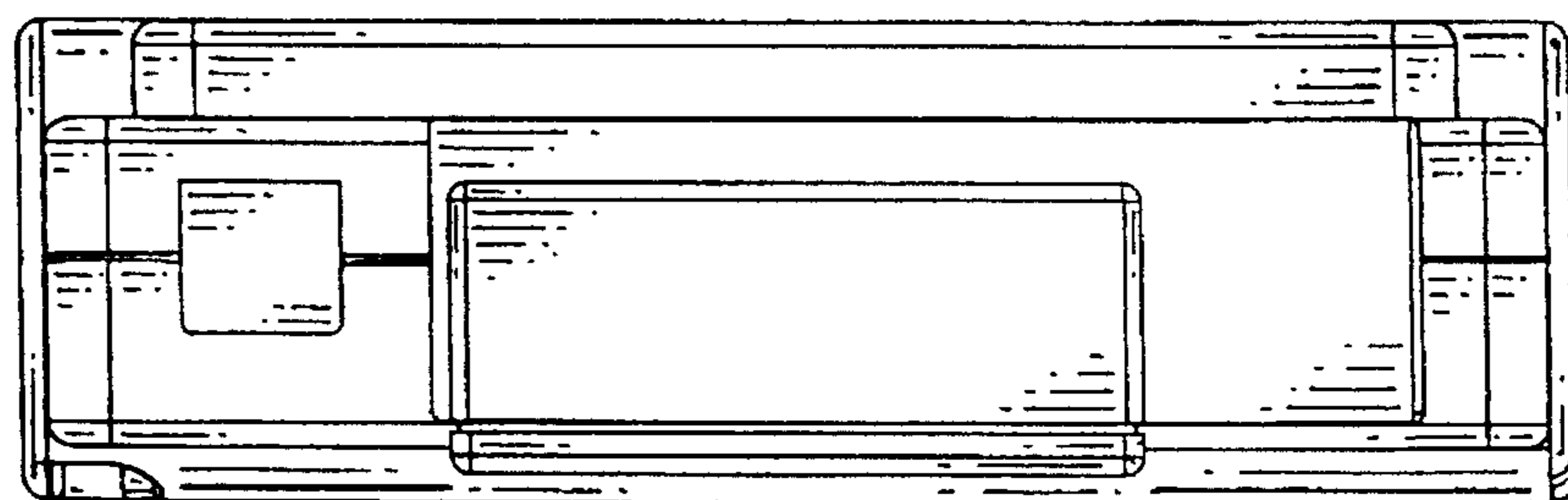


FIG. 6

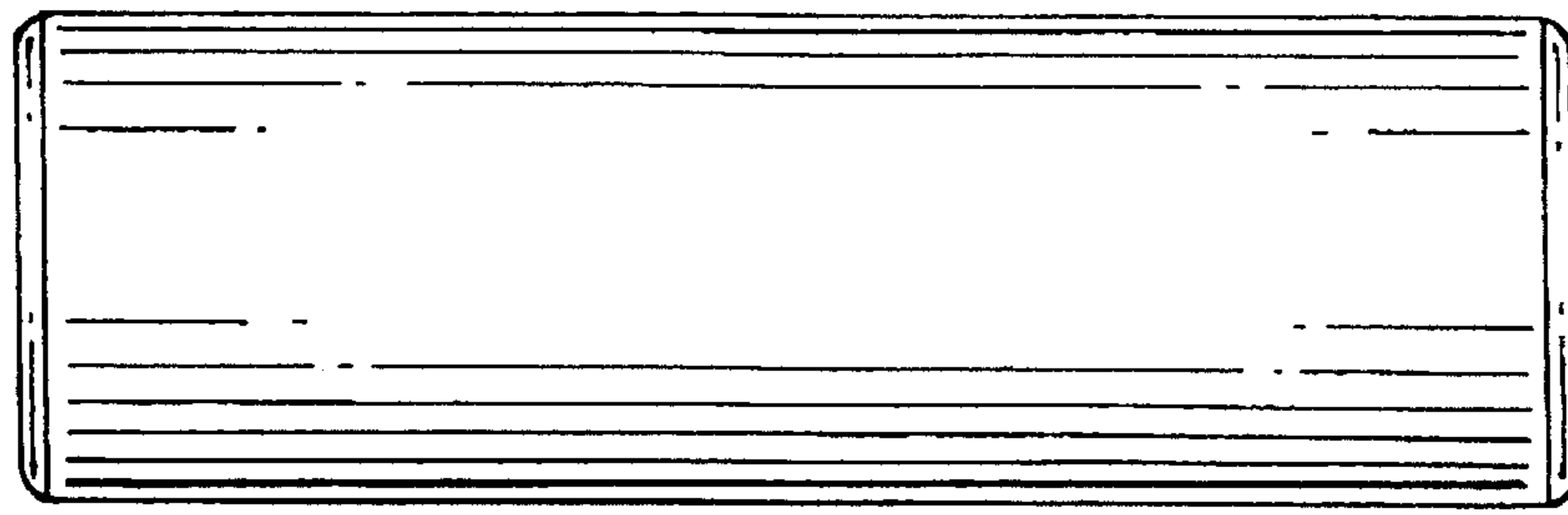


FIG. 7

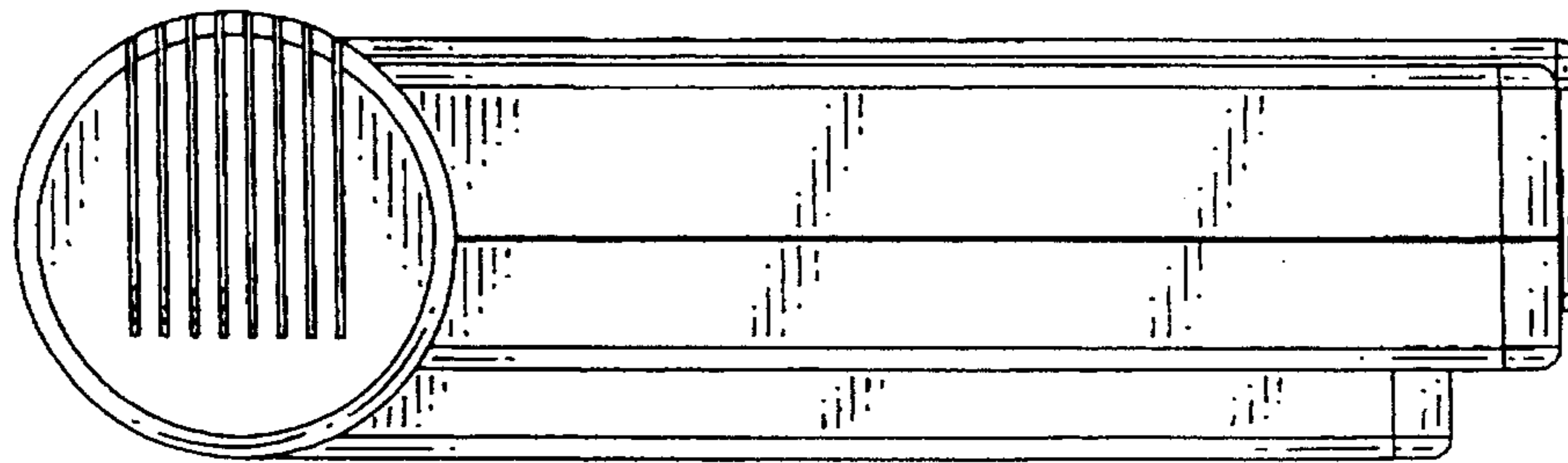


FIG. 8

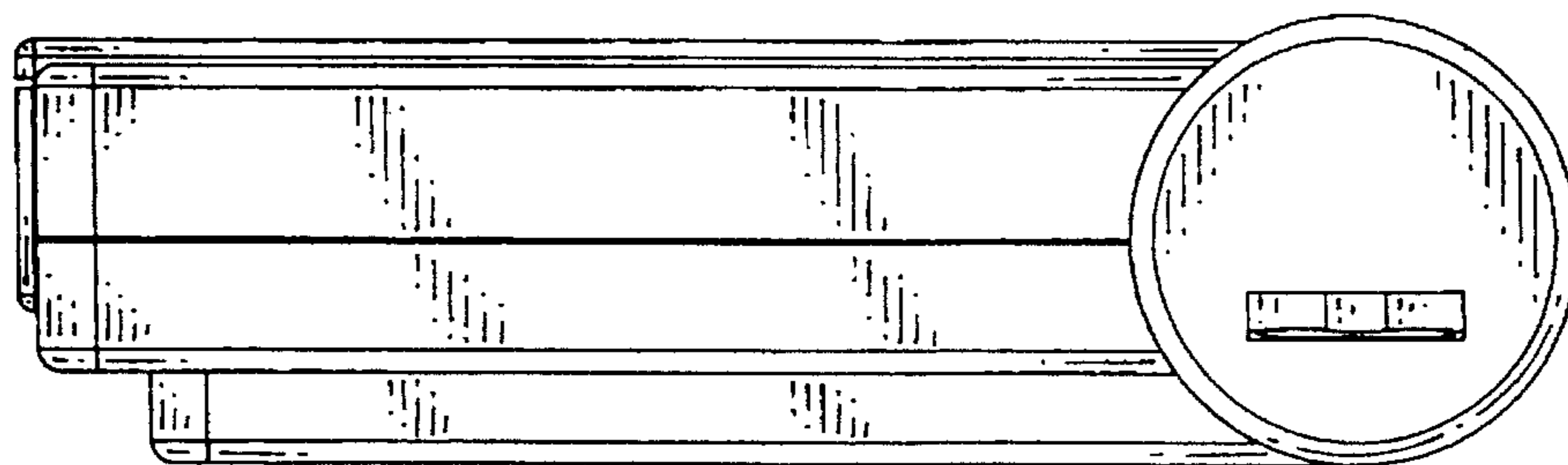


FIG. 9