



US00D372976S

# United States Patent [19] Reich

[11] Patent Number: **Des. 372,976**  
[45] Date of Patent: **\*\*Aug. 20, 1996**

[54] **RADIO-NUCLIDE SYRINGE SHIELD**

[76] Inventor: **Don E. Reich**, 2051 Dewberry Ct.,  
Westlake Village, Calif. 21361

[\*\*] Term: **14 Years**

[21] Appl. No.: **40,818**

[22] Filed: **Jun. 27, 1995**

[52] U.S. Cl. .... **D24/130**

[58] Field of Search ..... D24/130, 131;  
600/5, 1; 128/654; 604/187, 405, 192, 198

[56] **References Cited**

**U.S. PATENT DOCUMENTS**

D. 248,491	7/1978	Reiss .....	D24/130
3,673,411	6/1972	Glasser .....	600/5 X
3,973,554	8/1976	Tipton .....	600/5
4,060,073	11/1977	Collica et al. ....	600/5
4,062,353	12/1977	Foster et al. .	
4,122,836	10/1978	Burnett .	
4,185,619	1/1980	Reiss .....	600/5
4,208,588	6/1980	Rudin .....	600/5 X
4,994,012	2/1991	Nakagama et al. ....	600/5

Primary Examiner—Louis S. Zarfes

Assistant Examiner—I. Simmons

Attorney, Agent, or Firm—Russ, August & Kabat

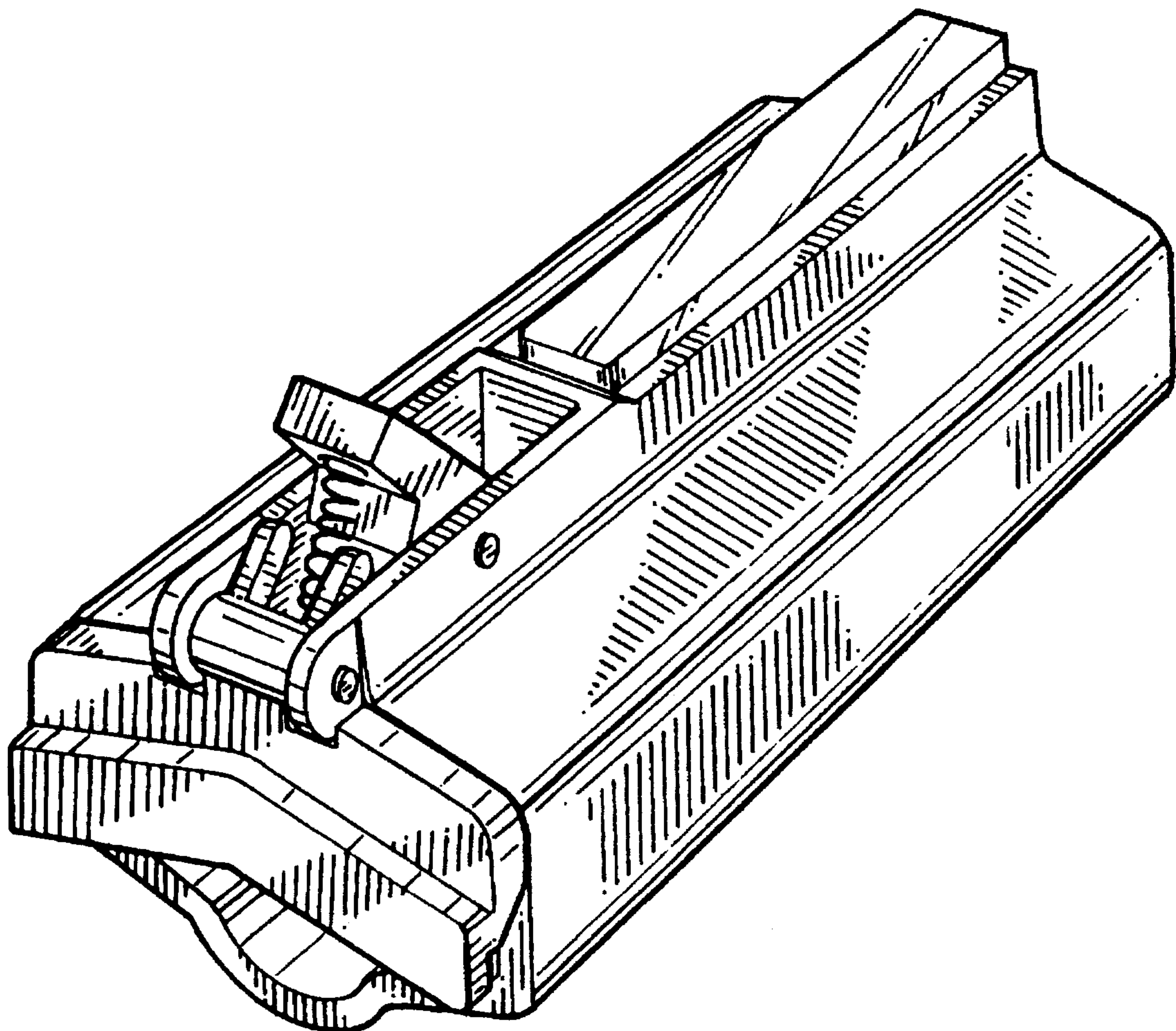
[57] **CLAIM**

The ornamental design for the radio-nuclide syringe shield, as shown and described.

**DESCRIPTION**

FIG. 1 is a side view of the preferred embodiment of the syringe shield of the present invention;  
 FIG. 2 is a top view of the syringe shield shown in FIG. 1;  
 FIG. 3 is an end view of the syringe shield shown in FIG. 1;  
 FIG. 4 is an end view of the syringe shield shown in FIG. 1, from the opposite end from the figure shown in FIG. 3;  
 FIG. 5 is a bottom view of the syringe shield of the present invention;  
 FIG. 6 is a side view of the present invention shown in FIG. 1, the broken line showing of the syringe is for illustrative purposes only and forms no part of the claimed design;  
 FIG. 7 is a perspective view of the syringe shield, with the door shown in open position; and,  
 FIG. 8 is a perspective view of the syringe shield, with the door shown in closed position.

1 Claim, 3 Drawing Sheets



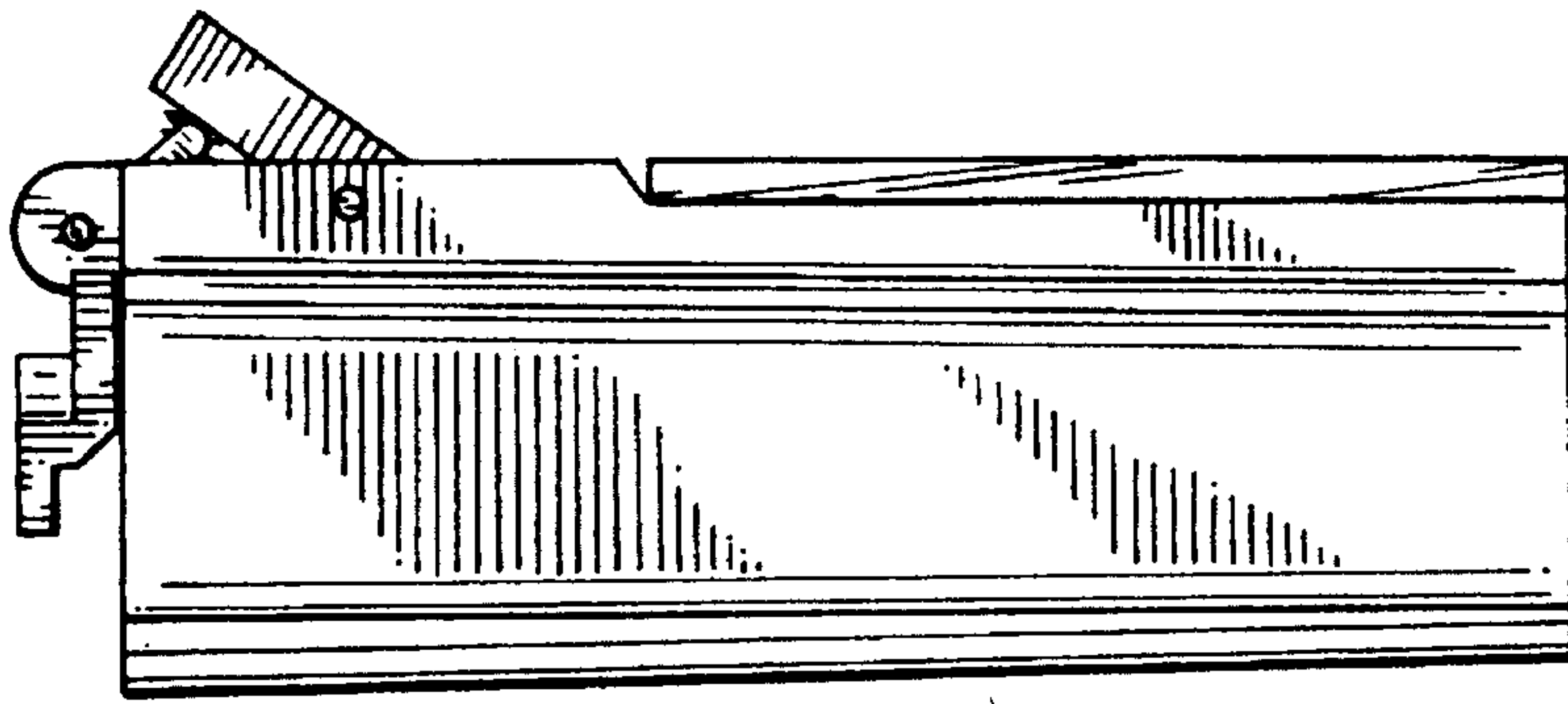


FIG. 1

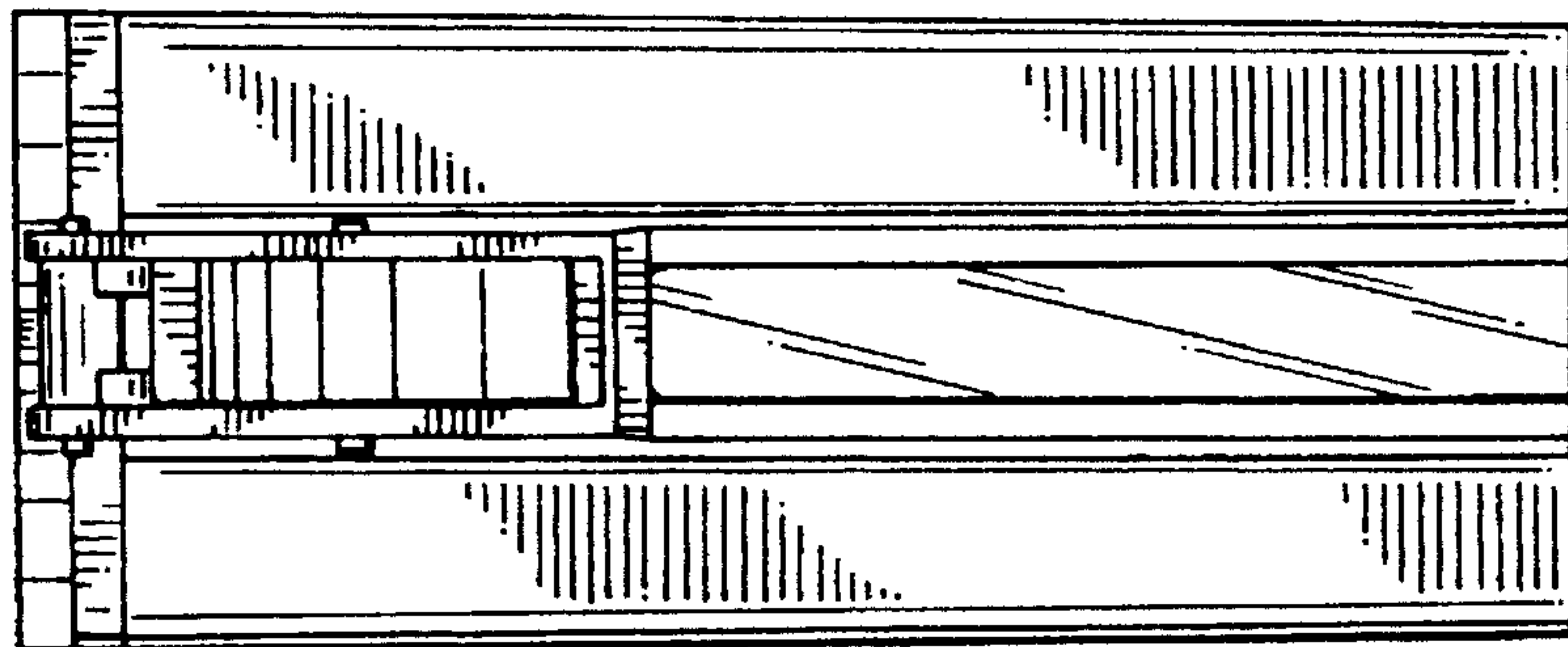


FIG. 2

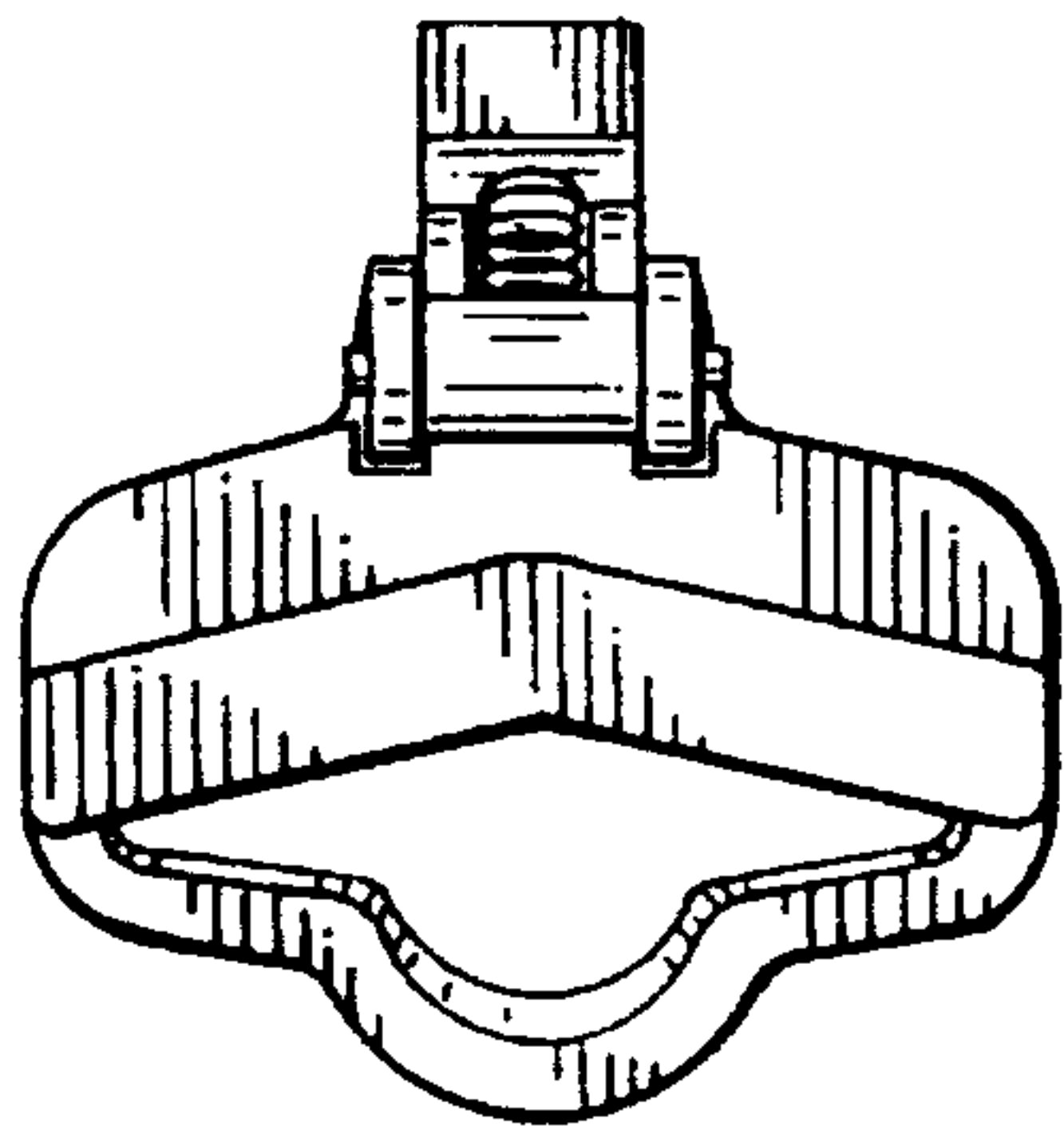


FIG. 3

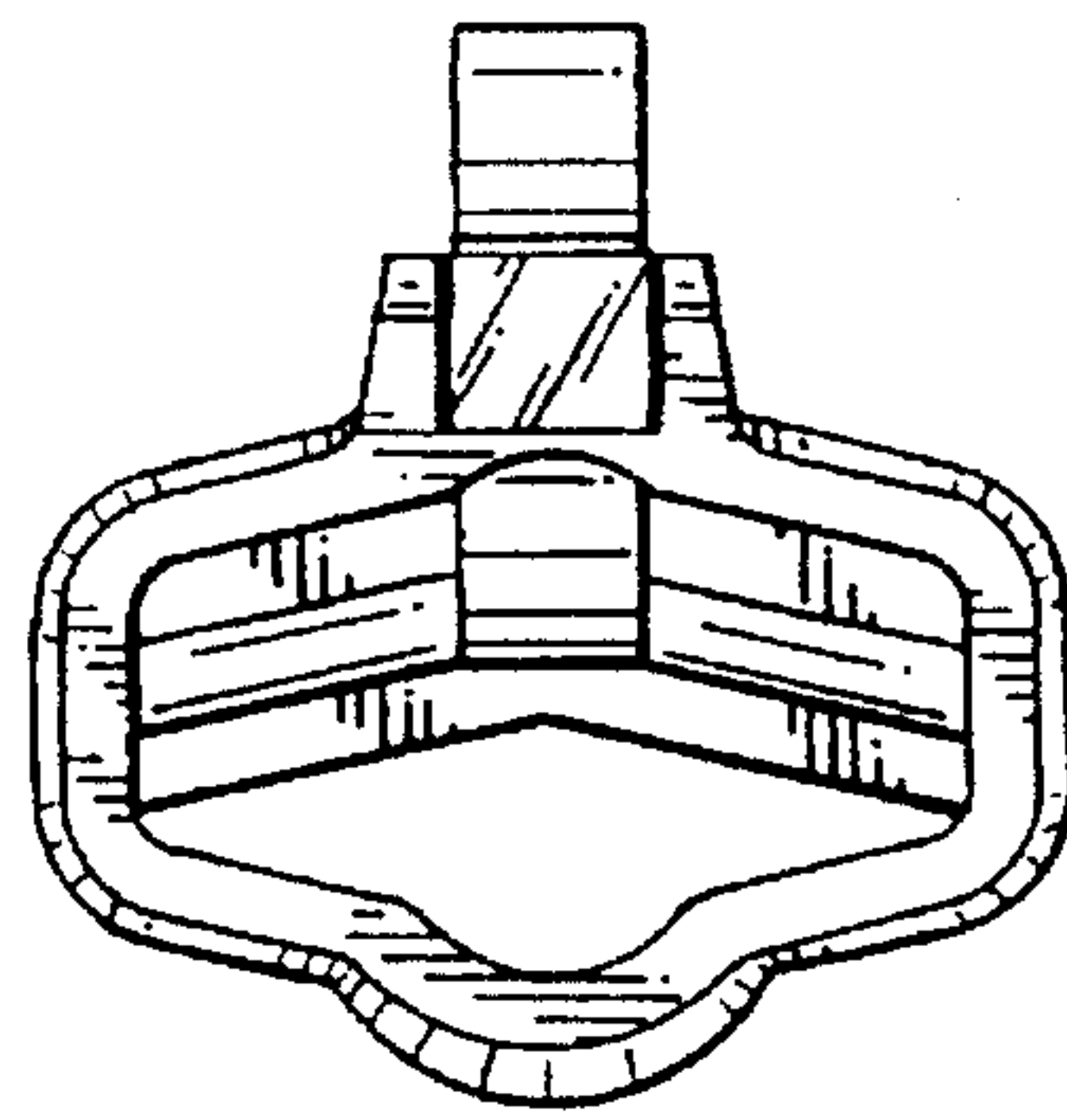


FIG. 4

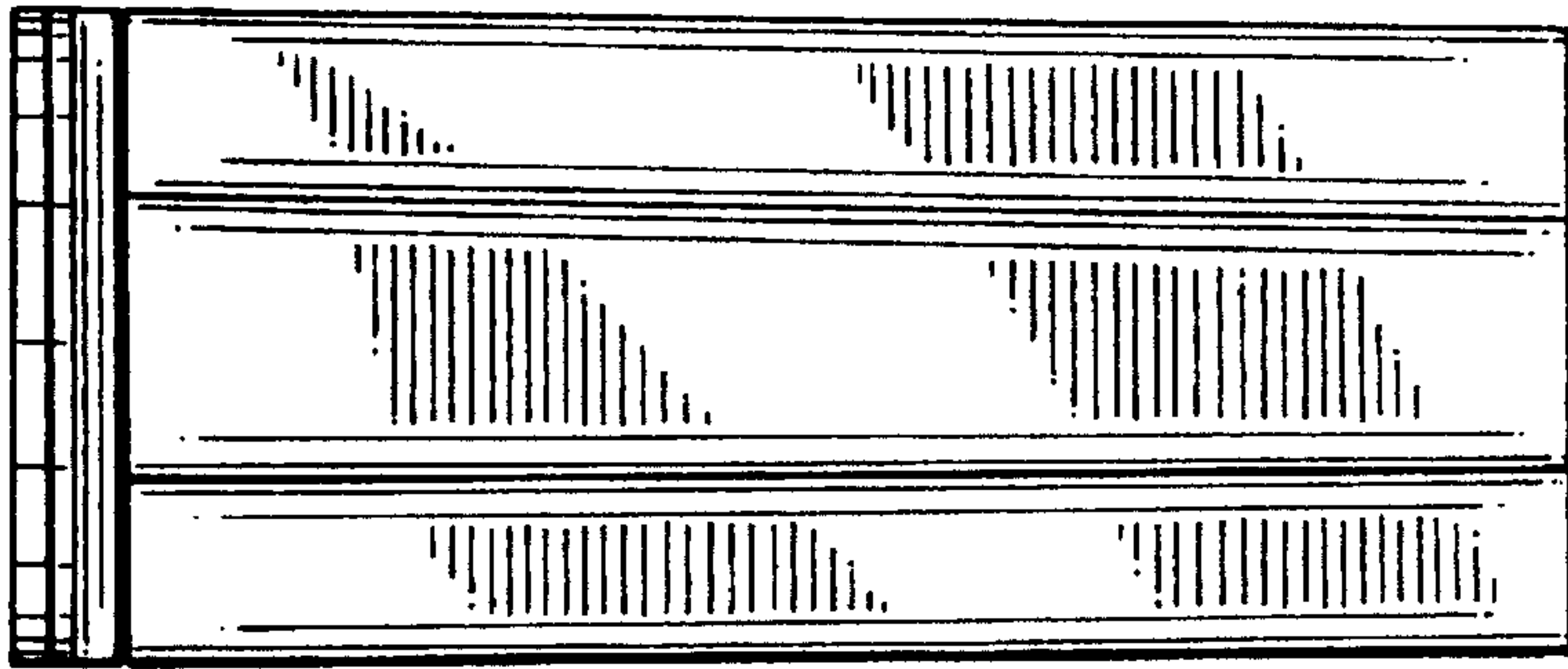


FIG. 5

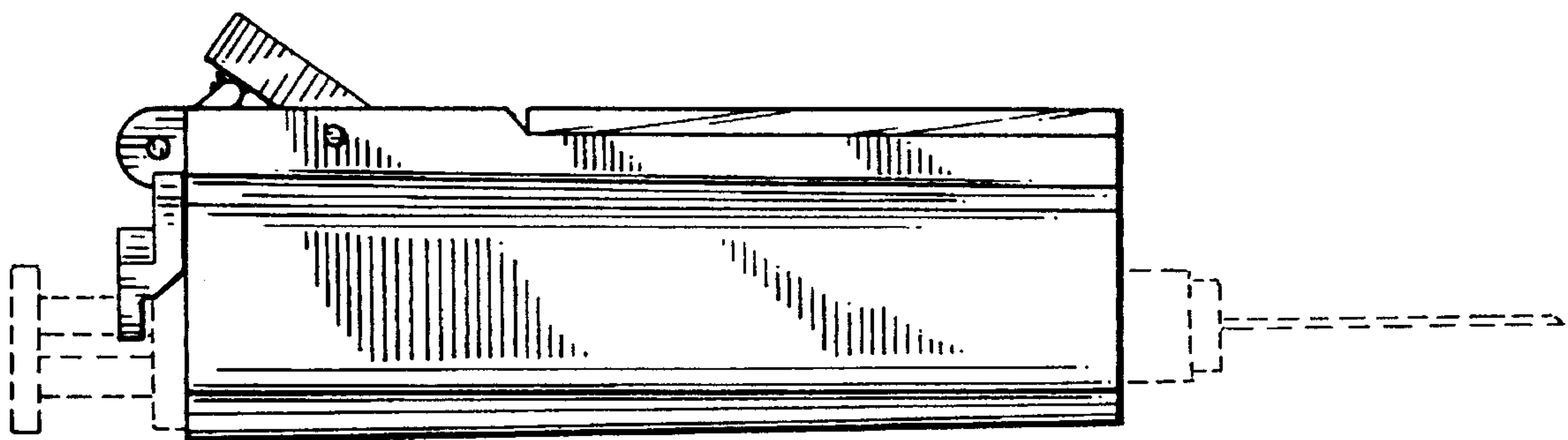


FIG. 6



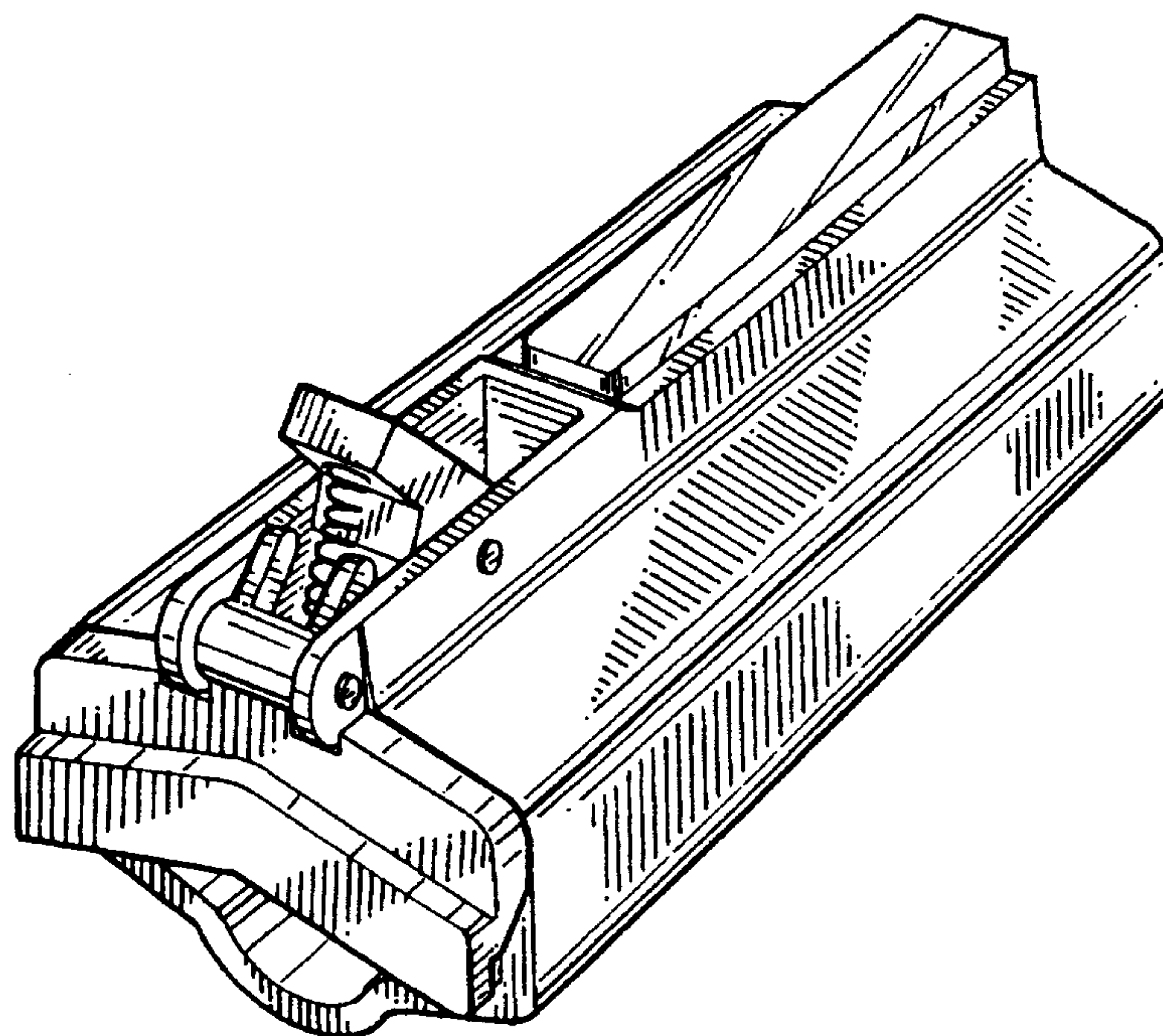


FIG. 7

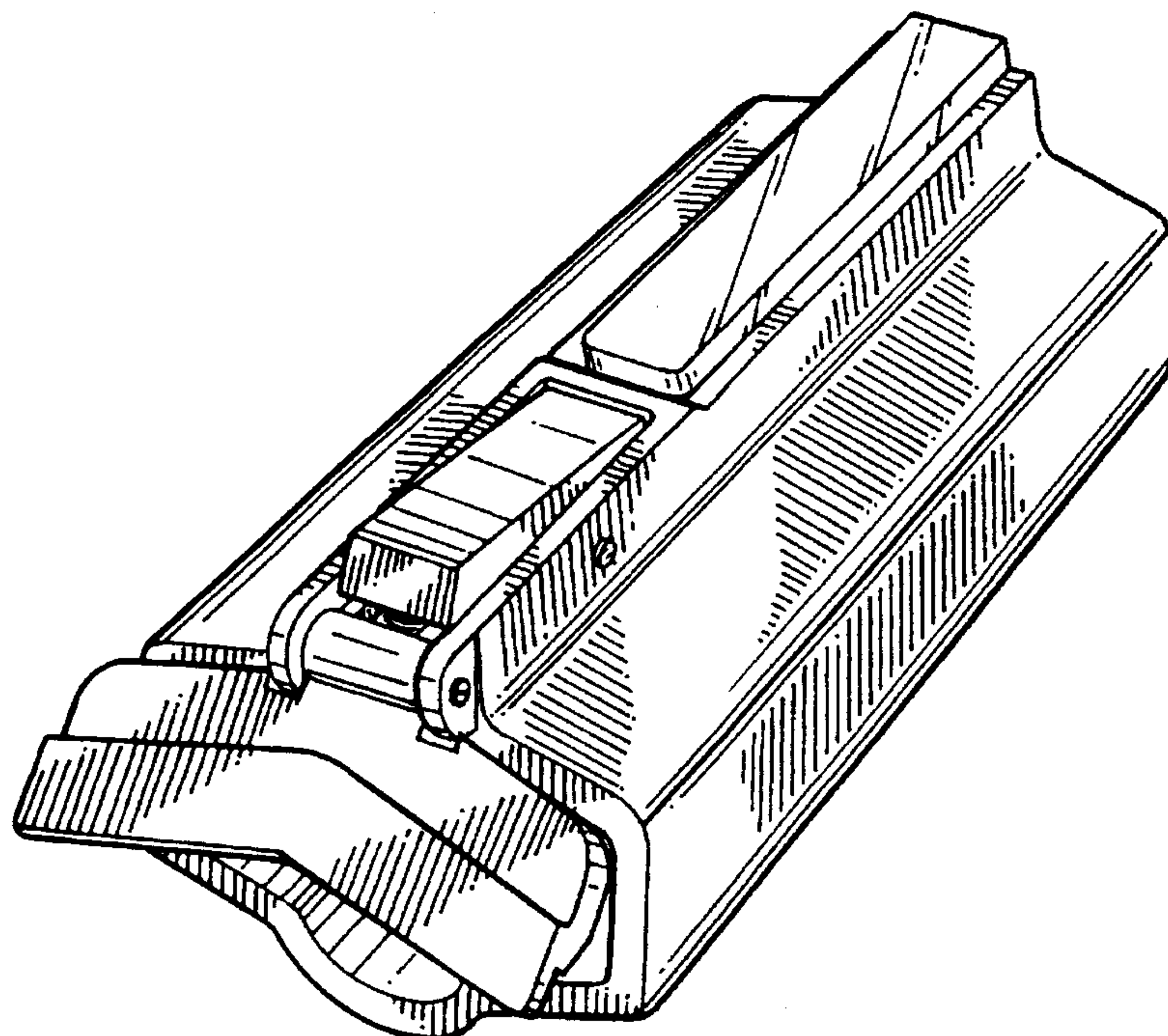


FIG. 8