



US00D372975S

United States Patent [19]
Meyers et al.

[11] **Patent Number: Des. 372,975**
[45] **Date of Patent: **Aug. 20, 1996**

[54] **ELECTRIC BREAST PUMP**

[75] Inventors: **Brenda J. Meyers; Donald W. Herritz; Jean L. Johansen**, all of Reedsburg, Wis.; **William B. Hudson, Jr.**, Fremont, Mich.; **Randall P. Bell**, River Forest, Ill.; **Gary F. Prokop**, Wheaton, Ill.; **James F. Caruso**, Chicago, Ill.; **James L. Allen**, Lake Villa, Ill.

[73] Assignee: **Gerber Products Company**, Fremont, Mich.

[**] Term: **14 Years**

[21] Appl. No.: **30,681**

[22] Filed: **Nov. 4, 1994**

[52] U.S. Cl. **D24/109**

[58] Field of Search **D24/109; 604/74, 604/75, 73, 346**

[56] **References Cited**

U.S. PATENT DOCUMENTS

- 22,018 11/1858 Davidson .
- 155,720 10/1874 Grey et al. .
- D. 251,015 2/1979 Cone .
- D. 283,732 5/1986 Elliott .

(List continued on next page.)

FOREIGN PATENT DOCUMENTS

- 524638 3/1956 Belgium .
- 0214394 3/1987 European Pat. Off. .
- 429086 9/1911 France .
- 1136071 11/1955 France .
- 1177525 6/1957 France .
- 1378187 9/1963 France .
- 2208875 9/1973 Germany .
- 2439964 9/1975 Germany .
- 3605083 8/1987 Germany .
- 3721952 2/1988 Germany .
- 407293 11/1949 Italy .
- 54-44213 4/1979 Japan .
- 59-200081 11/1984 Japan .
- 59-200083 11/1984 Japan .

- 158976 5/1957 Sweden .
- 762701 12/1956 United Kingdom .
- 2082920 3/1982 United Kingdom .
- 2127293 4/1984 United Kingdom .
- 2155792 10/1985 United Kingdom .
- WO9011097 of 1990 WIPO .

OTHER PUBLICATIONS

Exhibit C is a document entitled "User's Guide—Electric Breast Pump Kit" published by Gerber, the assignee of the present application, more than one year prior to the filing of the present application, and discloses a prior art electric breast pump.

Exhibit D is a photograph disclosing a prior art straight-walled funnel.

Exhibit E includes photographs of a non-operating foam model of a breast pump.

Exhibit F is a photograph of a funnel for a breast pump.

Exhibit A is a copy of packaging for the "Evenflo Soft-Touch Ultra" breast pump, published by Evenflo Products Company, Ravenna, Ohio, copyright 1988. The product is configured for use with a battery, but includes a DC V3 jack and is then adapted for use with an AC/DC transformer. An adapter is provided that includes a section to support a funnel, a section to threadingly engage a bottle, and an upper end configured to engage a suction port.

Exhibit B discloses photographs of the "Evenflo Soft-Tooth Ultra" breast pump manufactured by Evenflo Products Company, Ravenna, Ohio, which is the product shown in Exhibit A.

Primary Examiner—Louis S. Zarfaz

Assistant Examiner—I. Simmons

Attorney, Agent, or Firm—Price, Heneveld, Cooper, DeWitt & Litton

[57] **CLAIM**

The ornamental design for the electric breast pump, as shown and described.

DESCRIPTION

FIG. 1 is a front perspective view of the electric breast pump showing our new design;

FIG. 2 is a left side elevational view of the electric breast pump shown in FIG. 1, the right side being a mirror image of the left side;

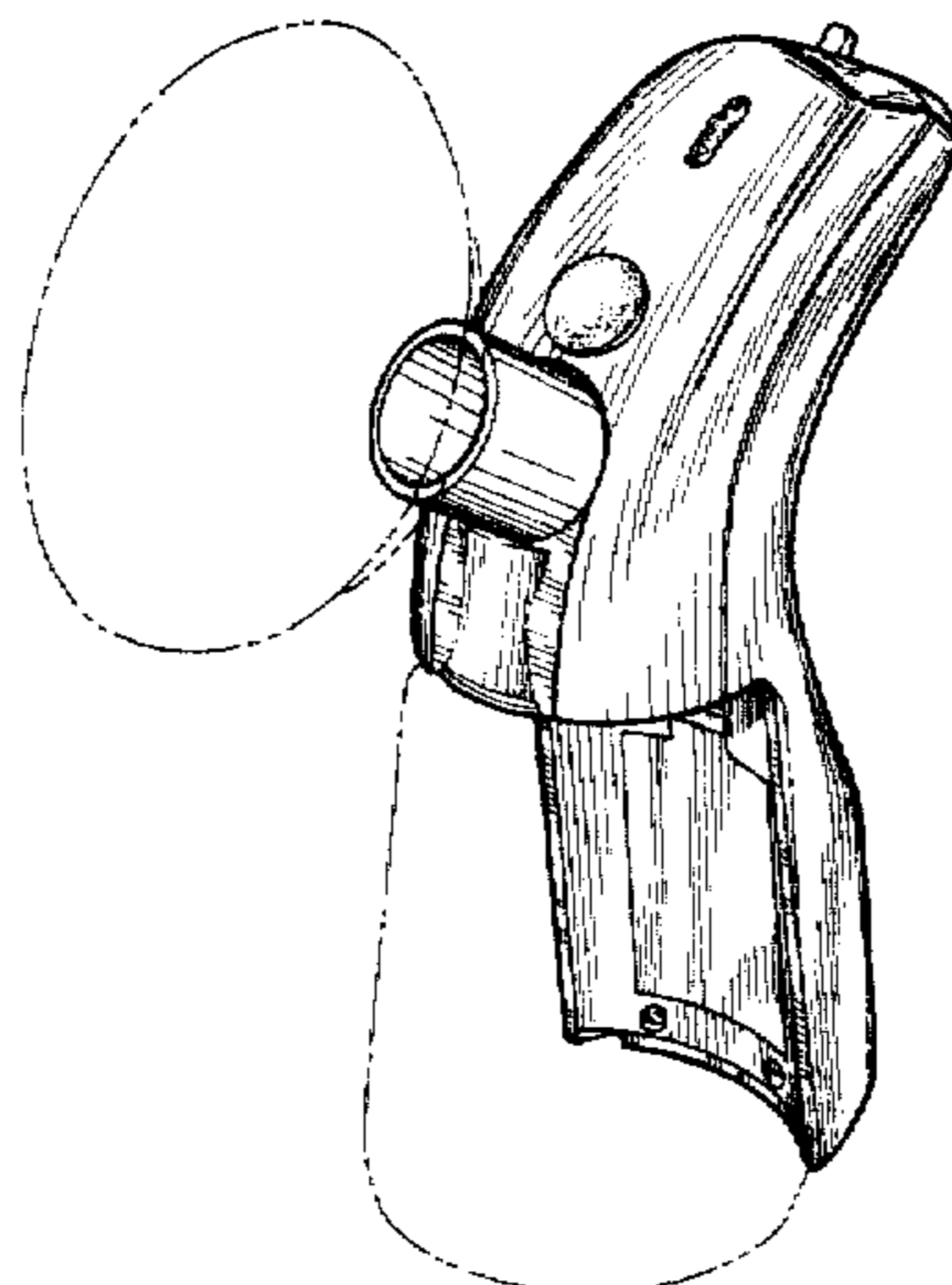


FIG. 3 is a front elevational view of the electric breast pump shown in FIG. 1;
 FIG. 4 is a rear elevational view of the electric breast pump shown in FIG. 1;
 FIG. 5 is a top elevational view of the electric breast pump shown in FIG. 1; and,
 FIG. 6 is a bottom elevational view of the electric breast pump shown in FIG. 1.
 The broken line showing of the funnel and bottle in the FIGS. 1 through 6 is for illustrated purposes only and forms no part of the claimed design.

1 Claim, 3 Drawing Sheets

U.S. PATENT DOCUMENTS

D. 299,537	1/1989	Morifuji .	2,419,795	4/1947	Saunders .
D. 307,478	4/1990	Morifuji .	2,559,067	7/1951	Doeg .
D. 309,500	7/1990	Yuan et al. .	2,575,398	9/1954	Schroeder .
D. 313,103	12/1990	Kawano .	2,690,295	9/1954	Rand .
D. 326,319	5/1992	Chambers .	3,699,815	10/1972	Holbrook .
D. 326,516	5/1992	Chambers .	3,738,363	6/1973	Lunas et al. .
D. 345,209	3/1994	Shoda et al. .	3,782,385	1/1974	Loyd .
D. 348,513	7/1994	Bale .	3,822,703	7/1974	Davisson .
361,910	4/1887	Tutton .	3,825,374	7/1974	Kondo .
420,195	1/1890	Graves et al. .	4,263,912	4/1981	Adams .
684,078	10/1901	Martin .	4,419,093	12/1983	Deaton .
1,624,254	4/1927	Kostenko et al. .	4,583,970	4/1986	Kirchner .
1,992,491	2/1935	Lindsay .	4,673,388	6/1987	Schlenso et al. .
2,060,063	11/1936	Frimand .	4,680,028	7/1987	Stuart .
2,109,718	3/1938	Bayers .	4,754,776	7/1988	McKee .
2,162,076	6/1939	Frimand .	4,759,747	7/1988	Aida et al. .
2,208,089	7/1940	Von Grolman .	4,761,160	8/1988	Vermillion .
2,222,811	11/1940	Dinesen .	4,772,262	9/1988	Grant et al. .
			4,774,874	10/1988	Adahan .
			4,799,922	1/1989	Beer et al. .
			4,883,464	11/1989	Morifuki .
			4,886,494	12/1989	Morifuji .
			4,892,517	1/1990	Yuan et al. .
			4,929,229	5/1990	Larsson .
			4,950,236	8/1990	Wilson .
			4,961,726	10/1990	Richter .
			4,964,851	10/1990	Larsson .
			5,007,899	4/1991	Larsson .
			5,009,638	4/1991	Riedweg et al. .
			5,049,126	9/1991	Larsson .
			5,071,403	12/1991	Larsson .
			5,100,406	3/1992	Panchula .
			5,295,957	3/1994	Aida et al. .
			5,308,321	5/1994	Castro .
			5,358,476	10/1994	Wilson 604/74

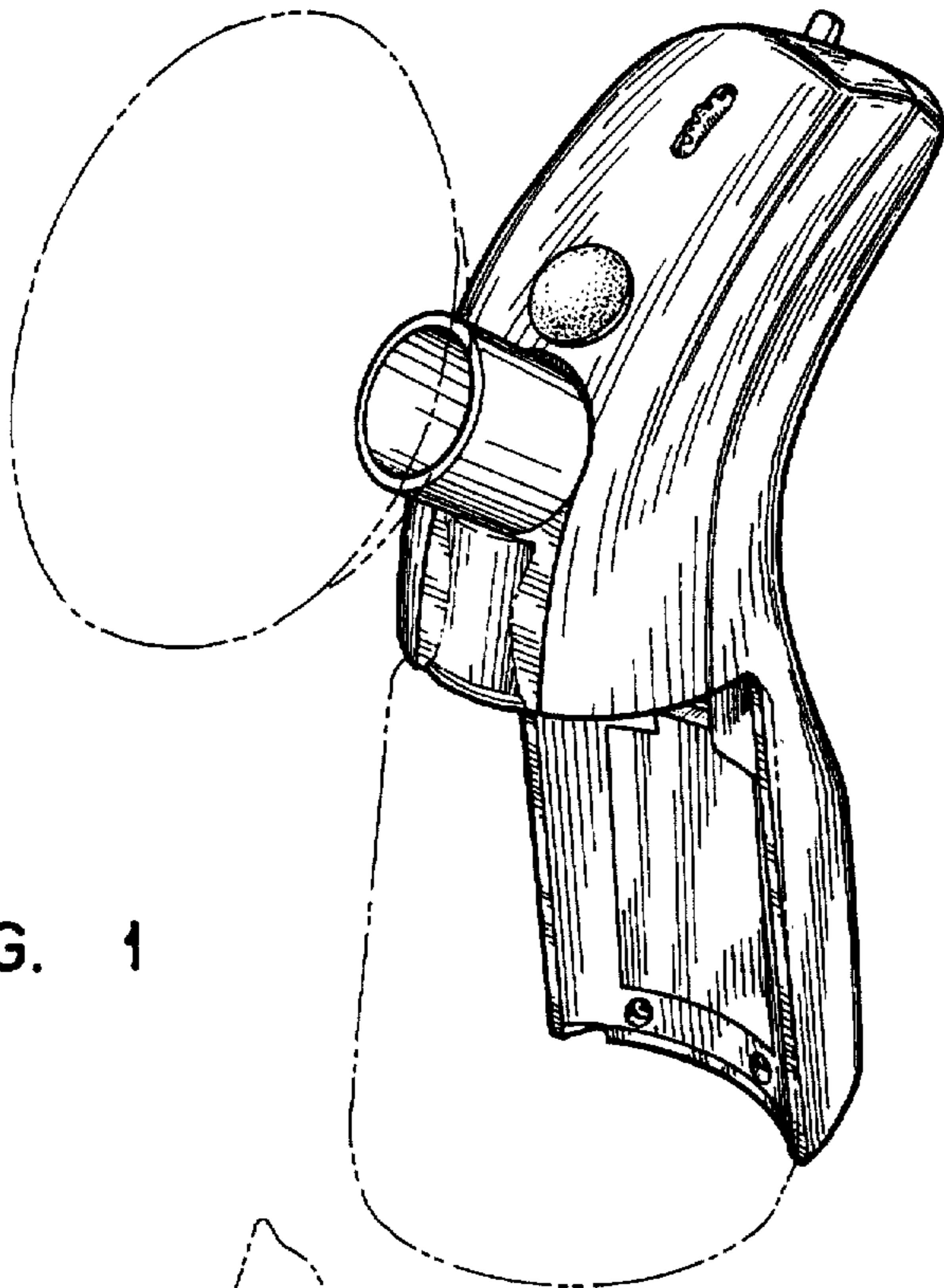


FIG. 1

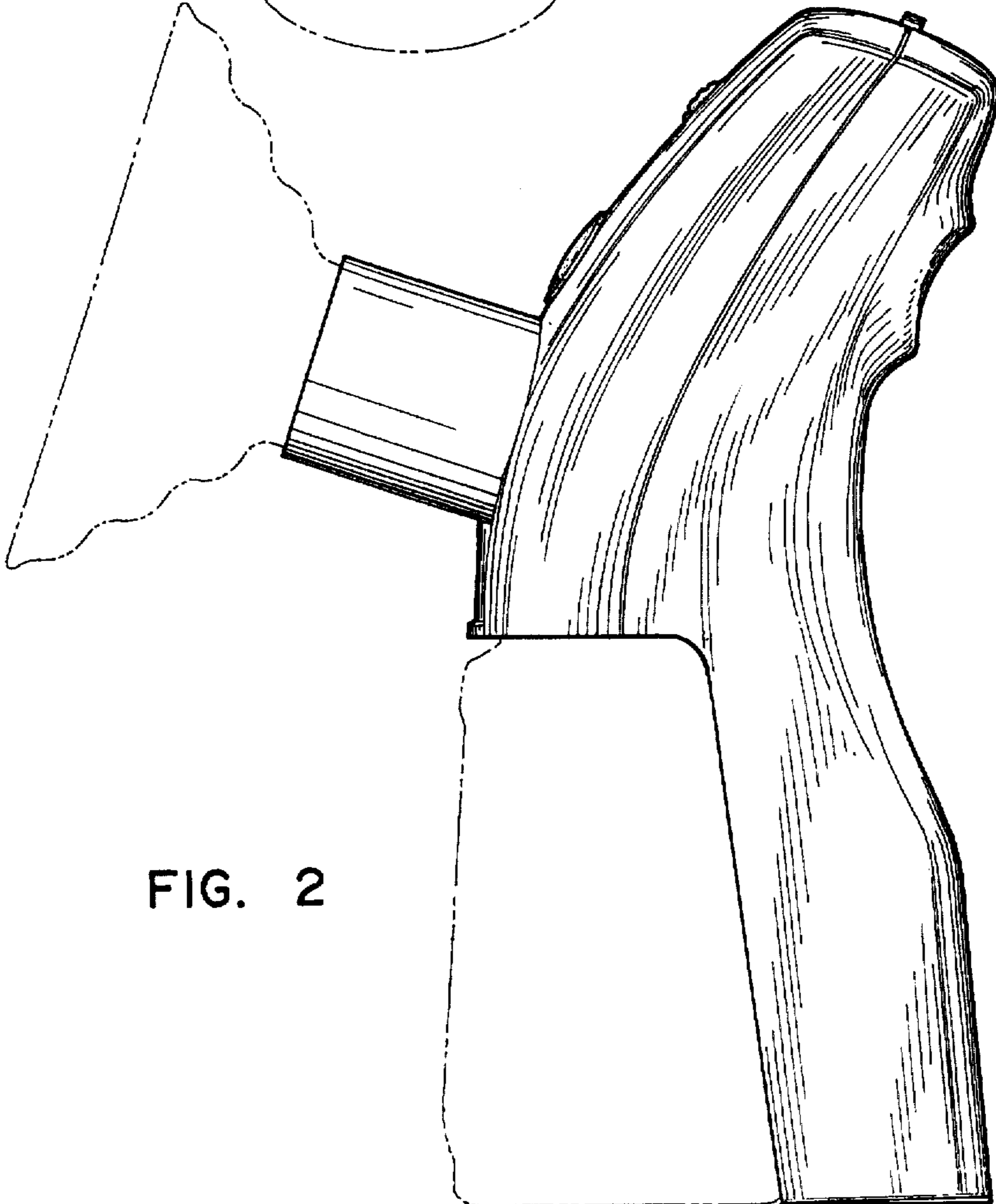


FIG. 2

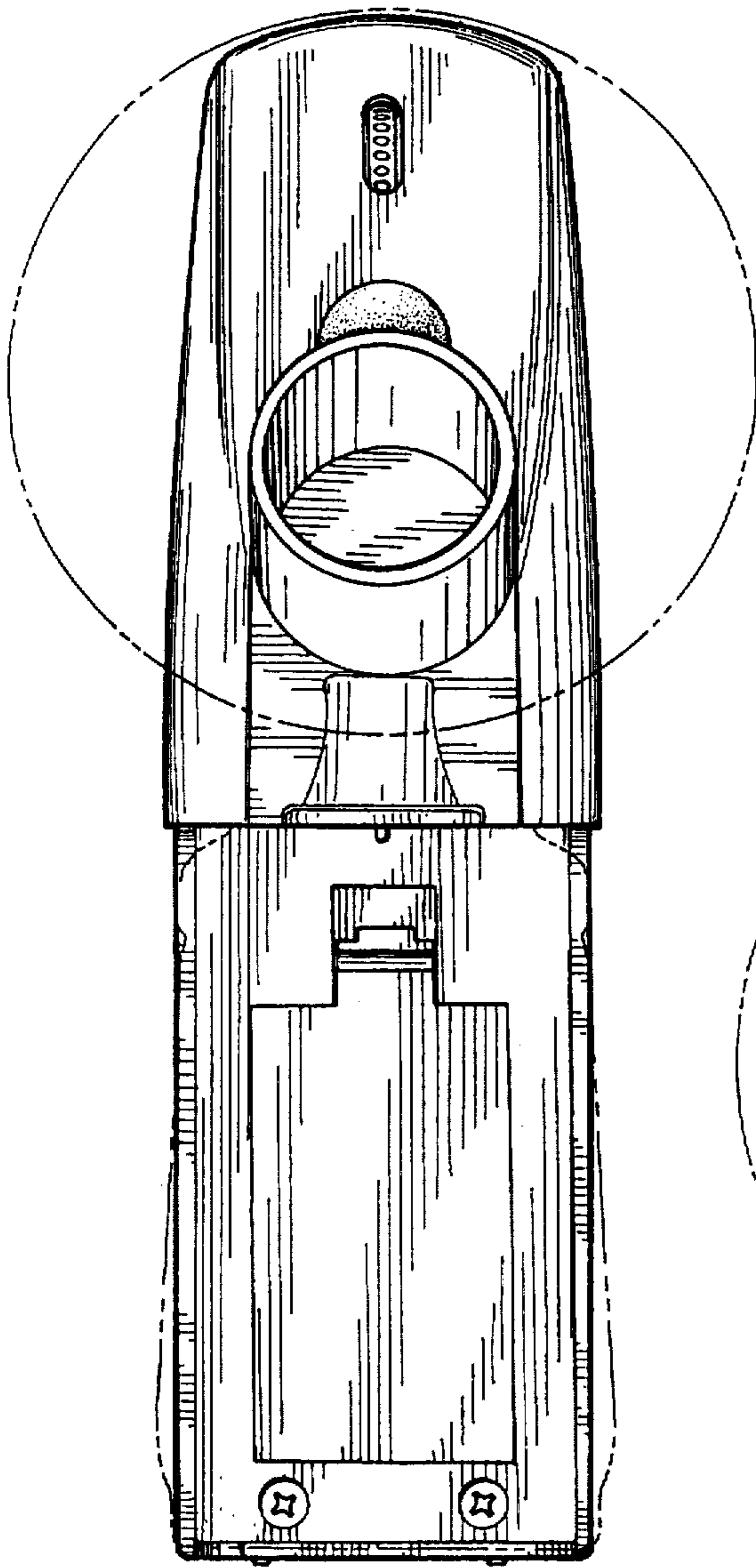


FIG. 3

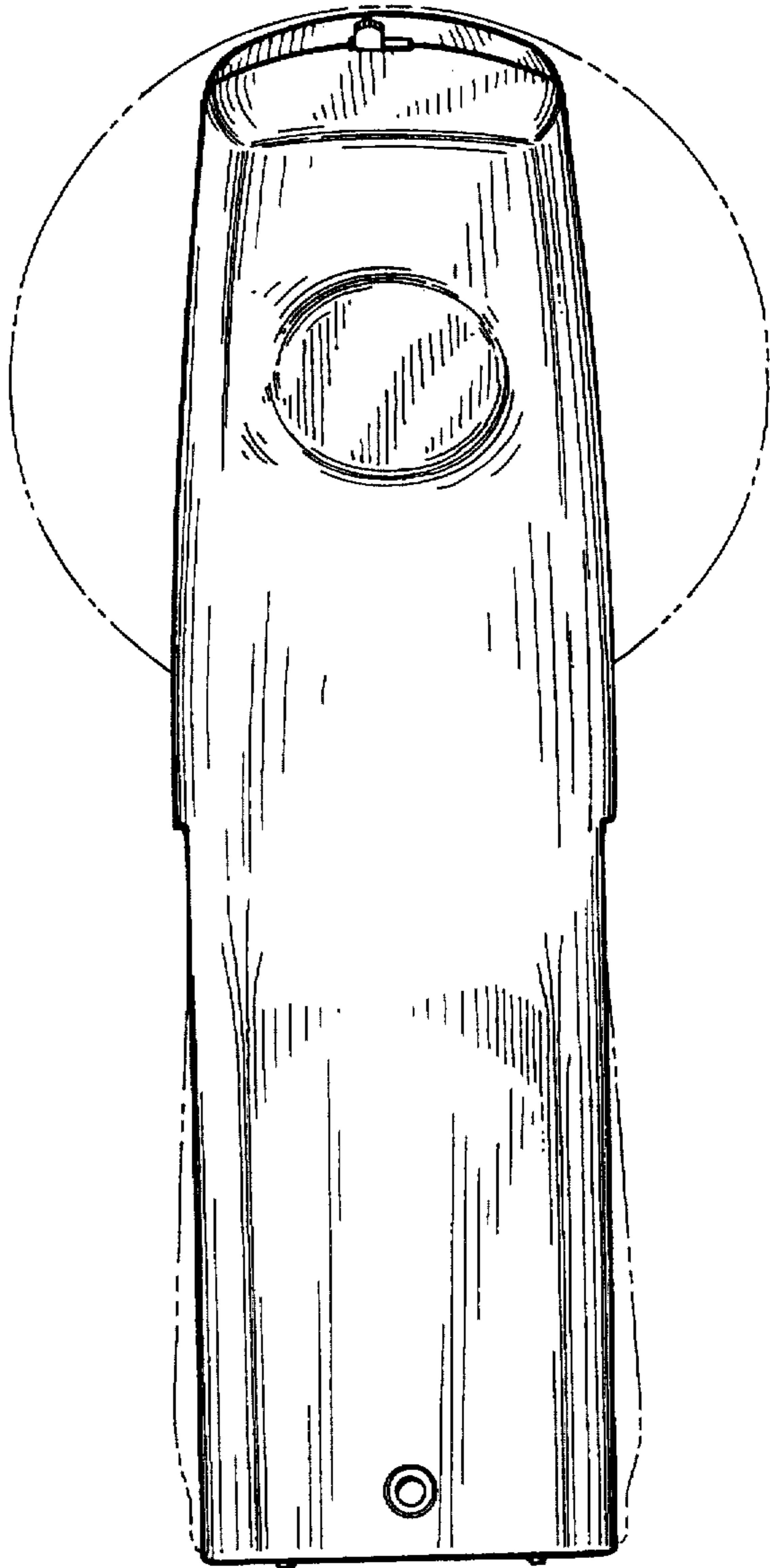


FIG. 4

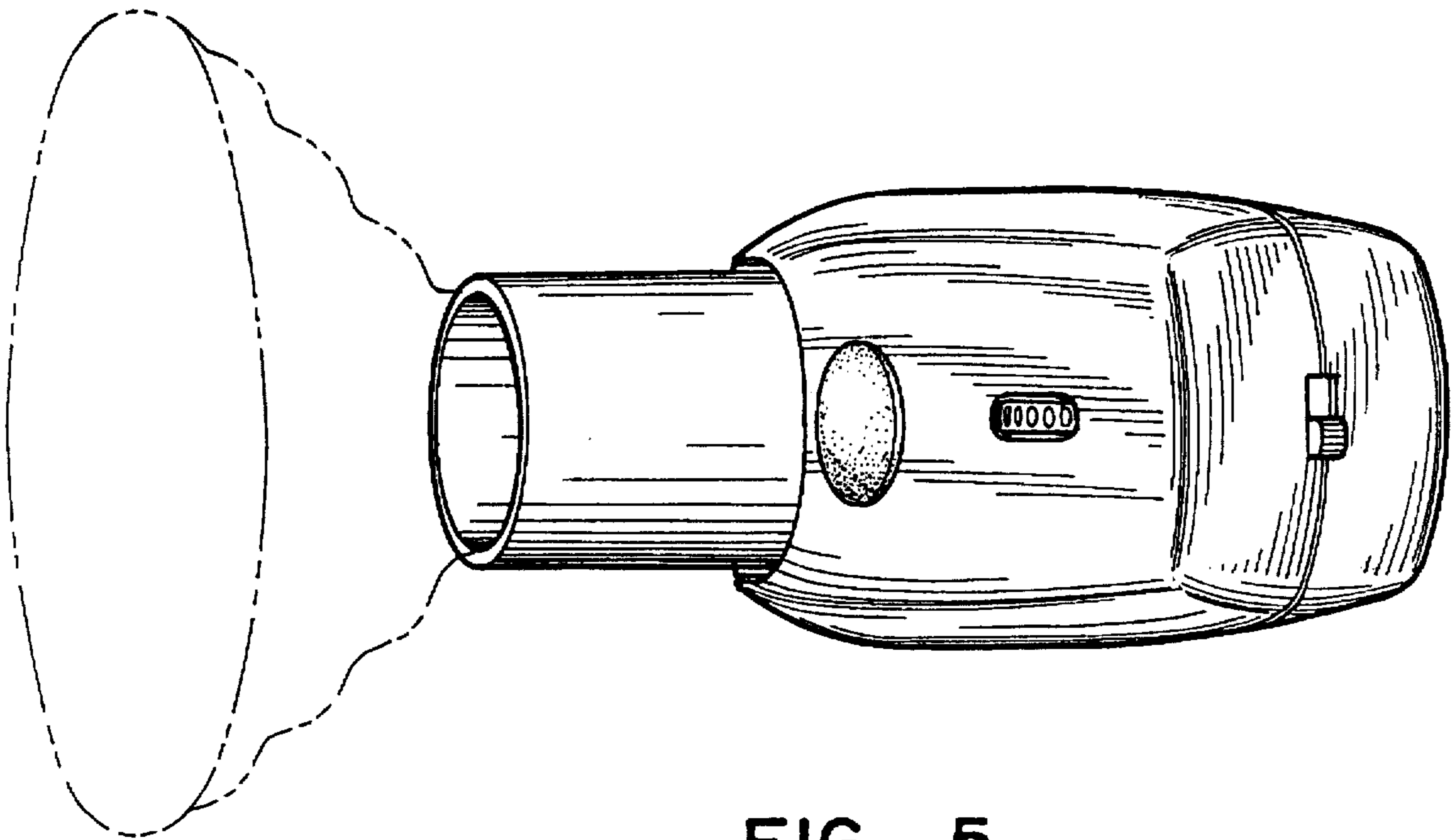


FIG. 5

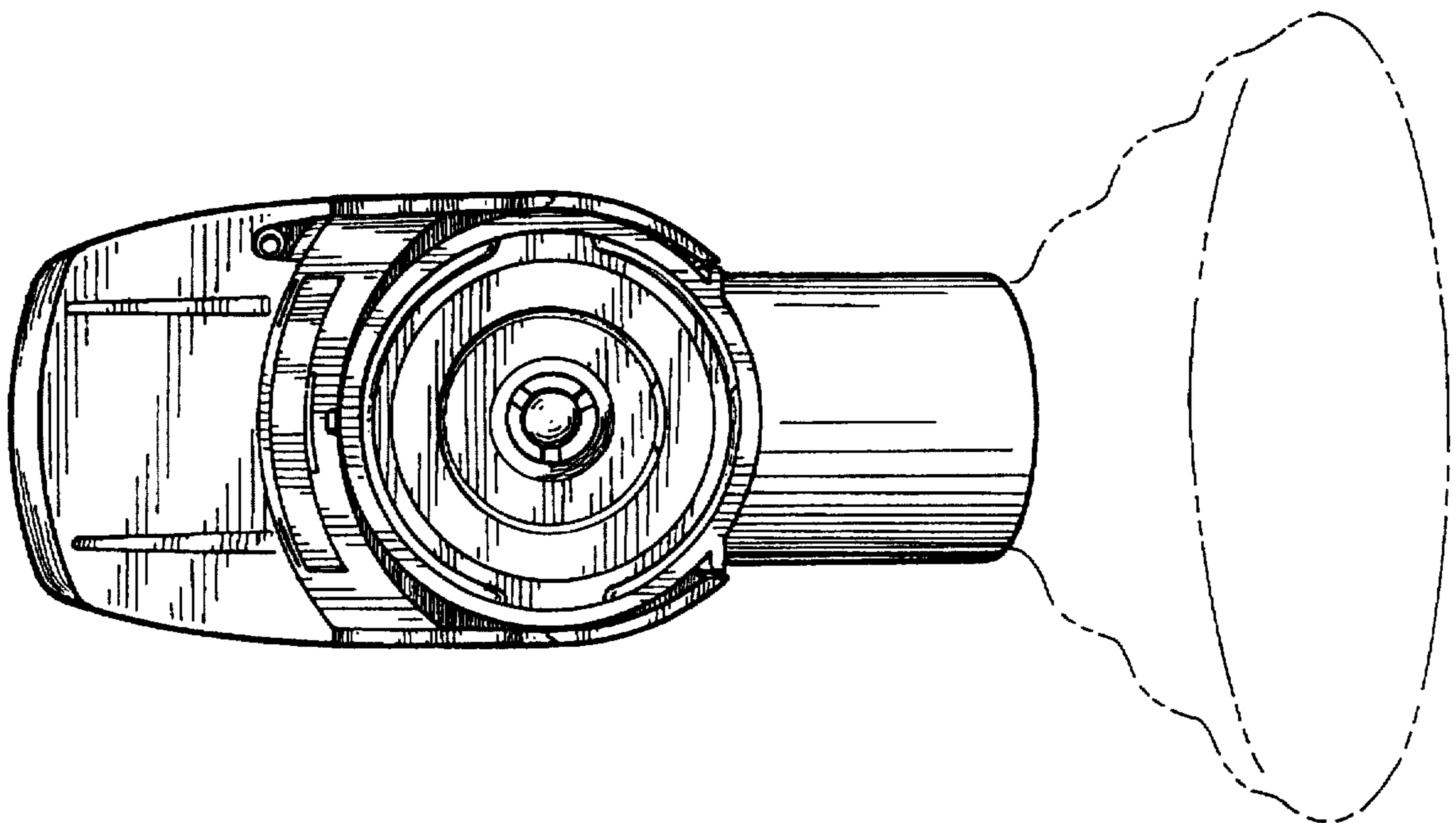


FIG. 6