



US00D372971S

**United States Patent** [19]  
**Chescavage**

[11] **Patent Number: Des. 372,971**

[45] **Date of Patent: \*\*Aug. 20, 1996**

[54] **FAN SUPPORT**

5,370,500 12/1994 Thompson ..... 248/676

[76] Inventor: **Donald J. Chescavage**, 526 Fairview St., Pottsville, Pa. 17901

*Primary Examiner*—Lisa P. Lichtenstein  
*Attorney, Agent, or Firm*—Harpman & Harpman

[\*\*] Term: **14 Years**

[57] **CLAIM**

[21] Appl. No.: **37,267**

The ornamental design for a fan support, as shown and described.

[22] Filed: **Apr. 10, 1995**

[52] U.S. Cl. .... **D23/411; D6/462**

[58] **Field of Search** ..... D23/411, 370,  
D23/378; 248/432; D34/31, 28; 416/246;  
D6/429-431, 462

**DESCRIPTION**

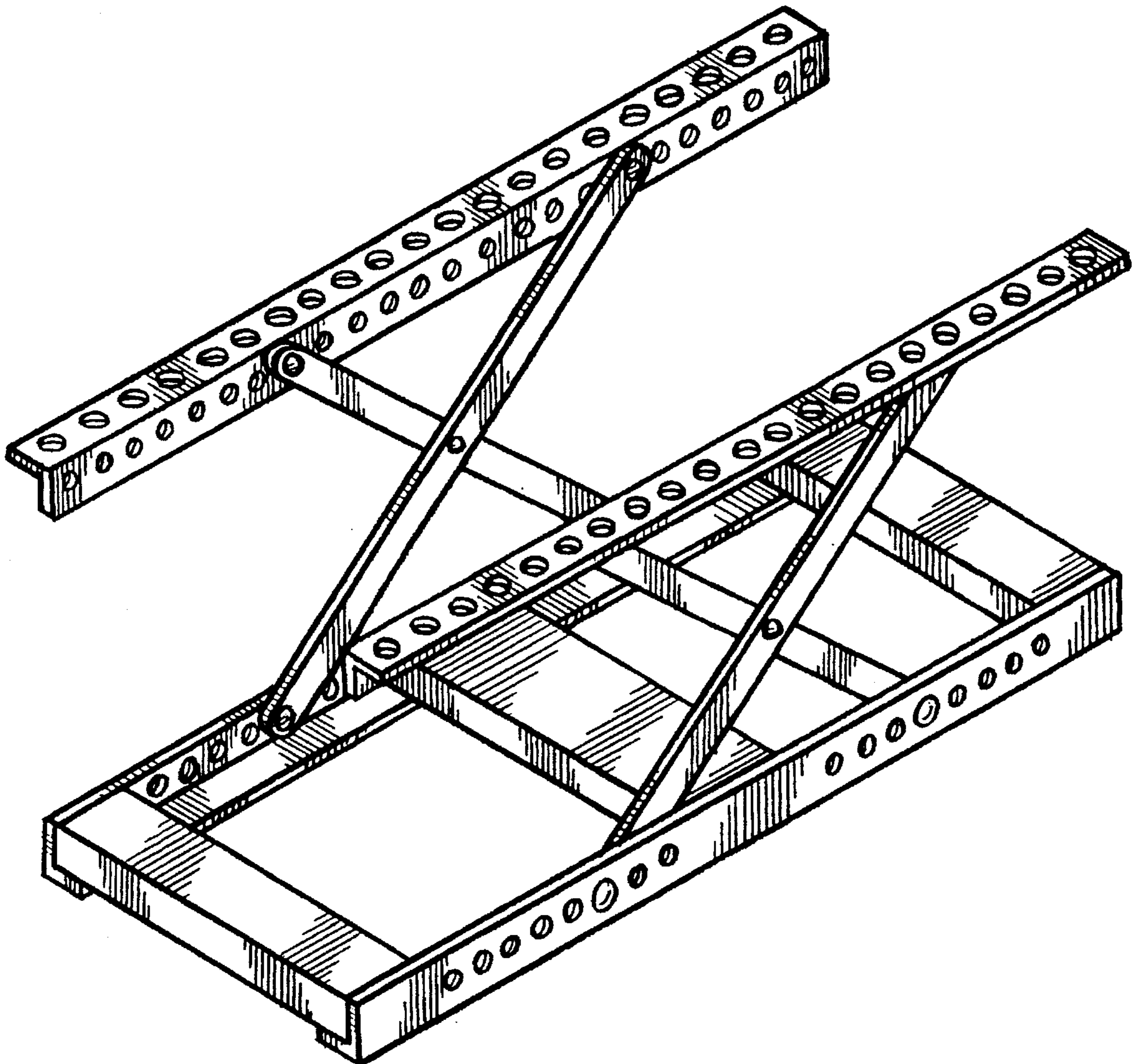
FIG. 1 is a front, top and side perspective view of the fan support embodying the design of the present invention; FIG. 2 is a side elevation thereof, the side opposite being a mirror image of the side shown in FIG. 2; FIG. 3 is a rear elevation of the view thereof; FIG. 4 is a top plan view thereof; and, FIG. 5 is a bottom plan view thereof.

[56] **References Cited**

**U.S. PATENT DOCUMENTS**

D. 298,786 12/1988 Wilkinson ..... D6/429  
4,531,472 7/1985 Marrer et al. .... 248/432  
4,899,987 2/1990 Craig ..... D34/31

**1 Claim, 3 Drawing Sheets**



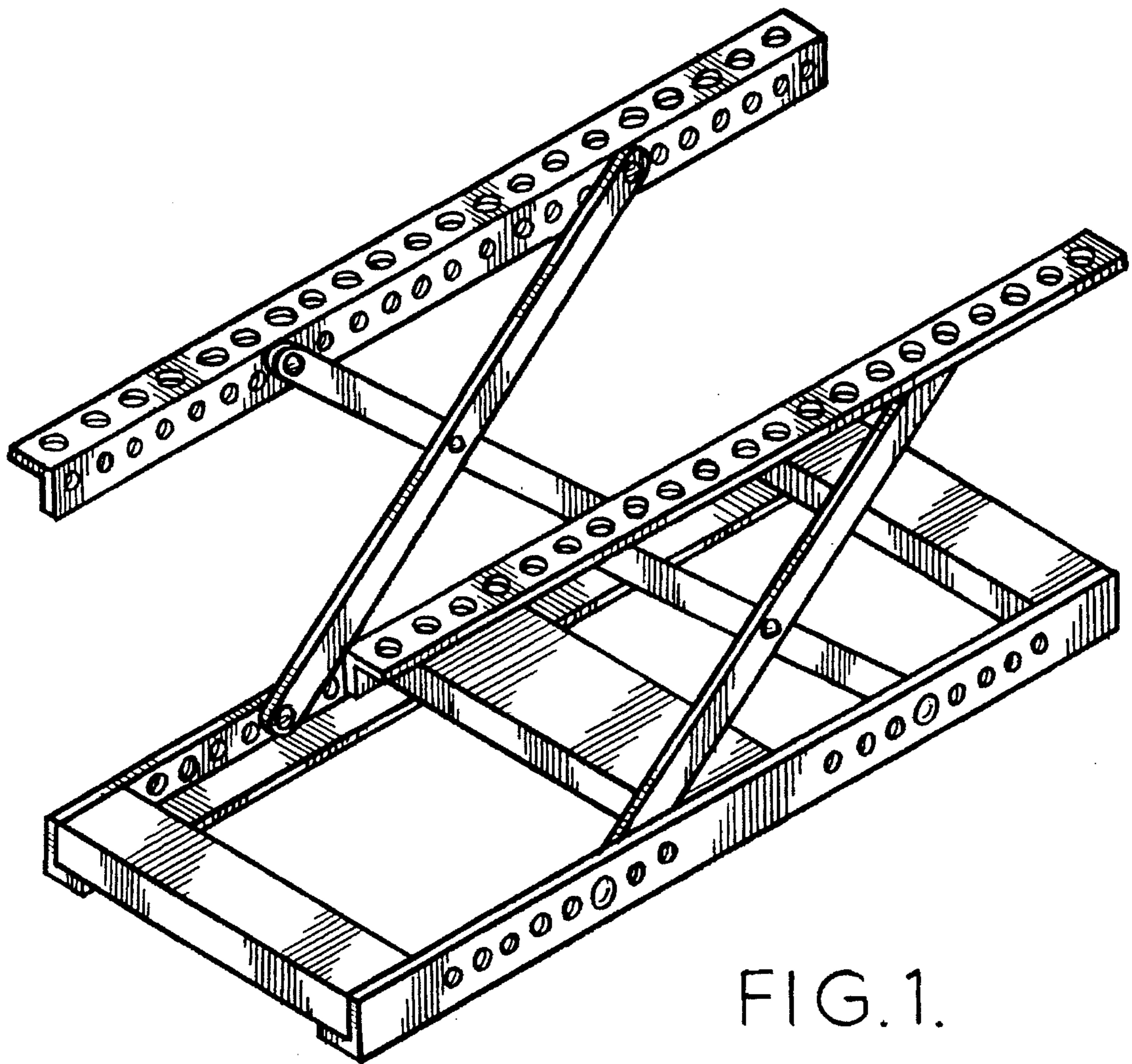


FIG. 1.

FIG. 2.

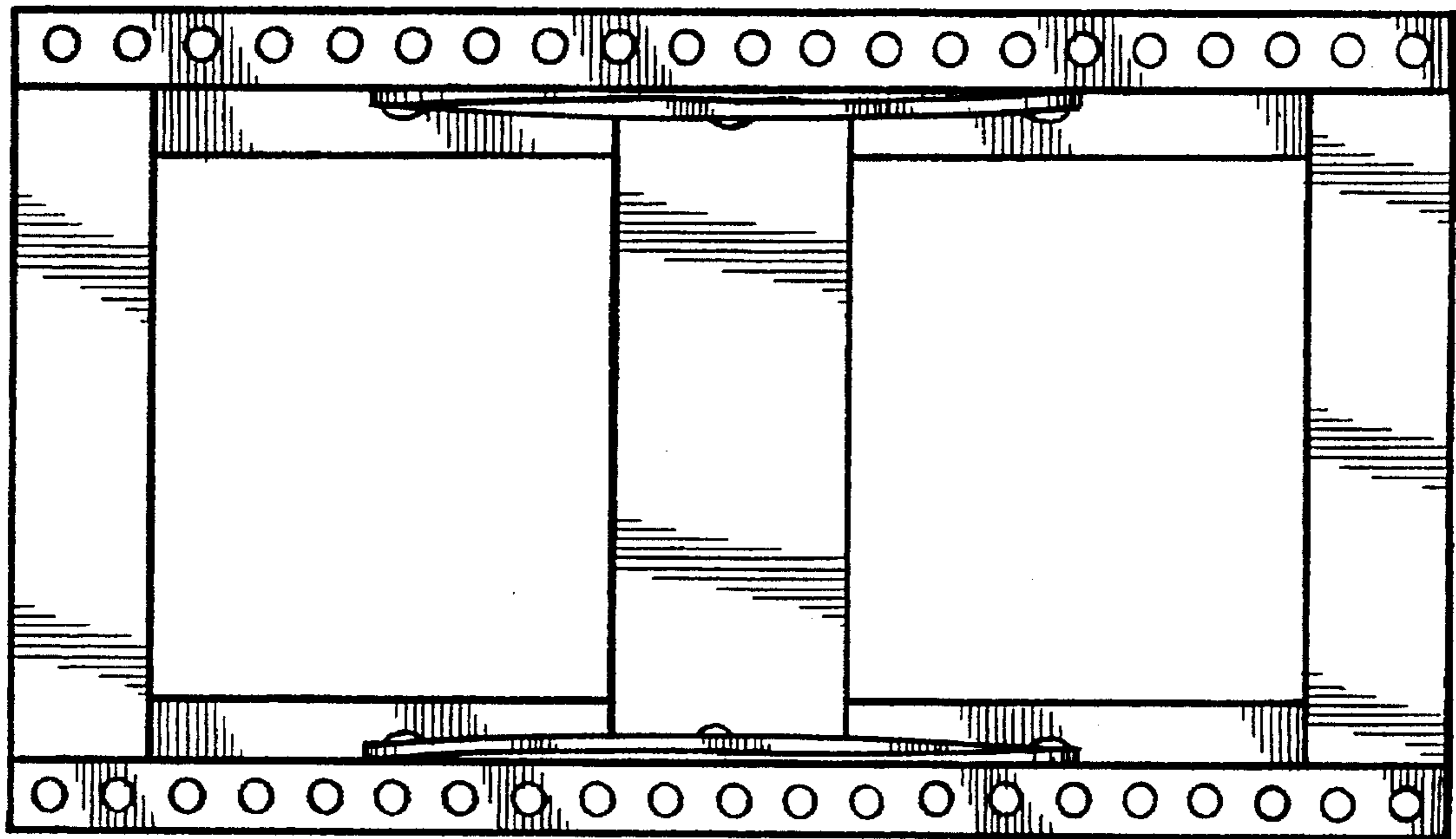
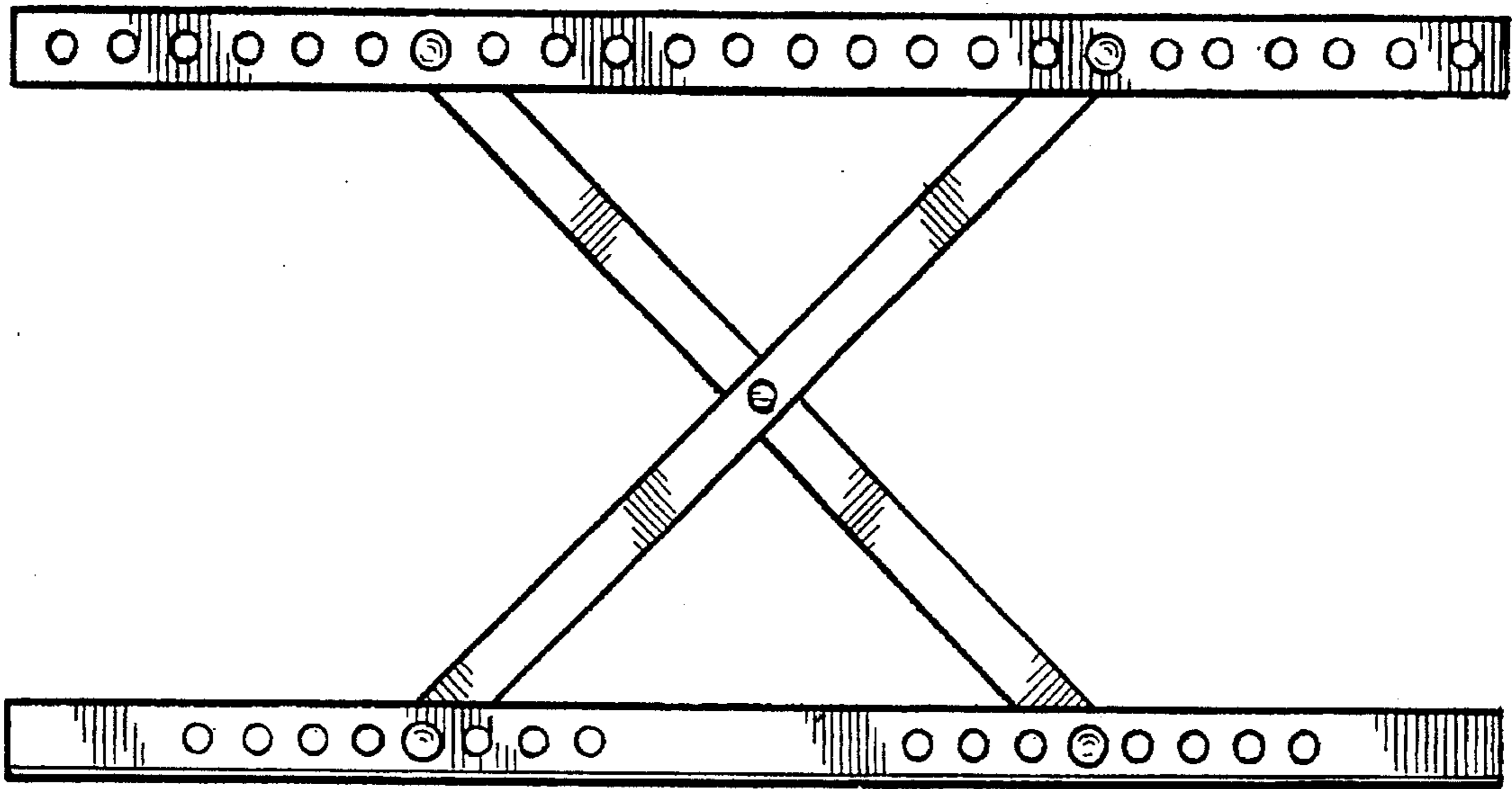


FIG. 4.

FIG. 3.

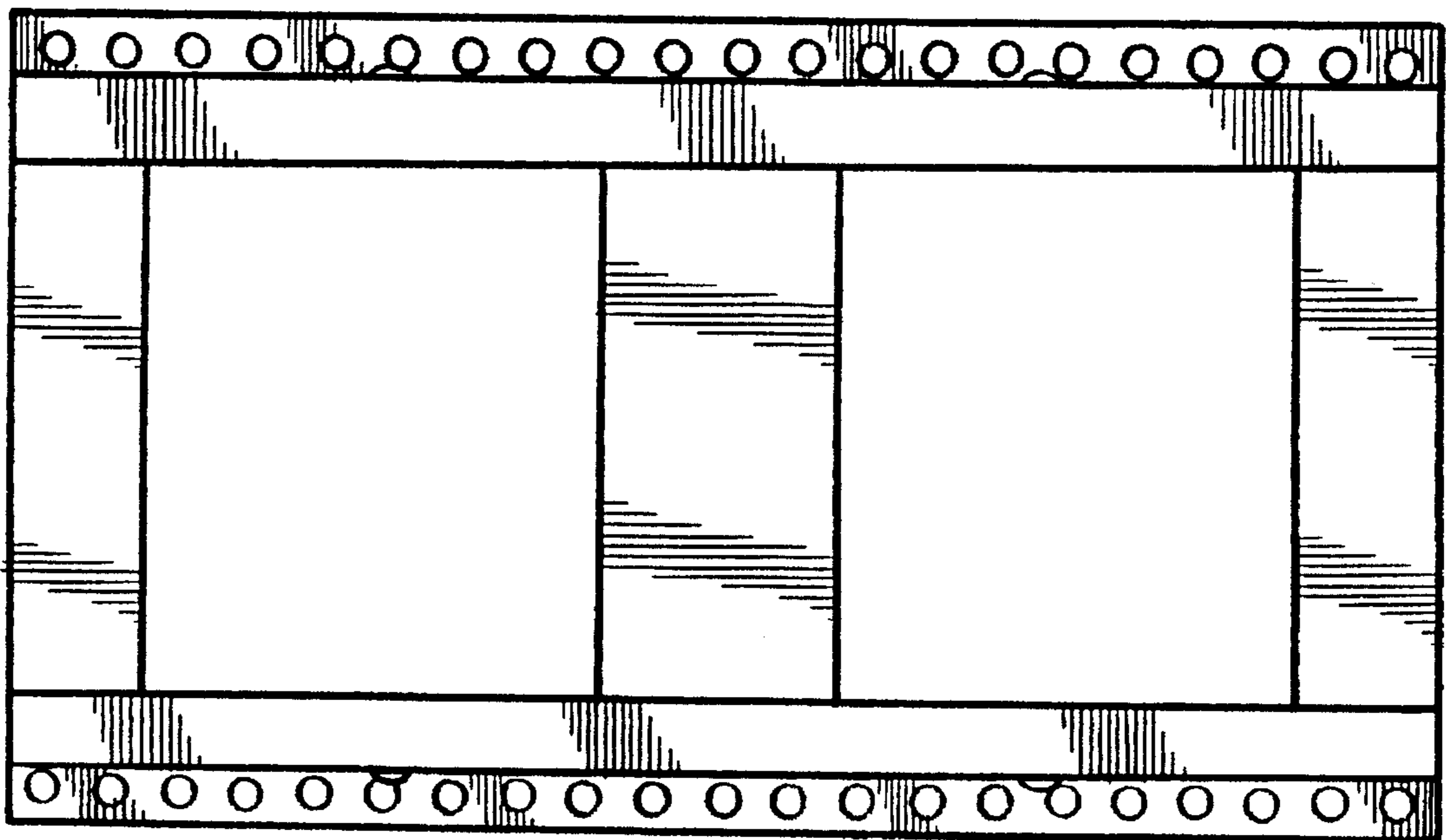
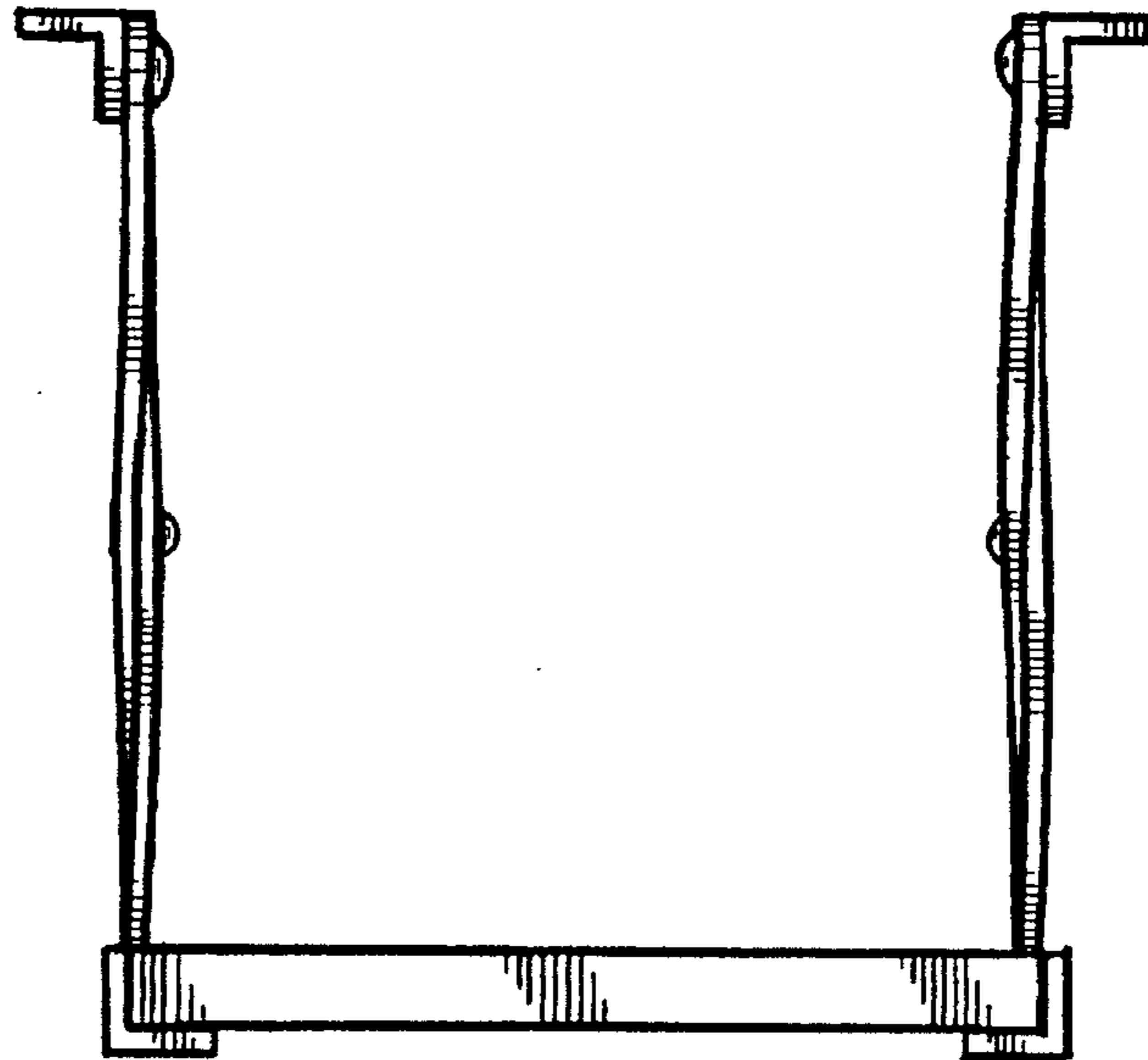


FIG. 5.