



US00D372970S

United States Patent [19]

[11] Patent Number: **Des. 372,970**

Franco

[45] Date of Patent: ****Aug. 20, 1996**

[54] **FIREPLACE MANTEL**

5,119,603 6/1992 Jones 52/36.3

[76] Inventor: **Edward Franco**, 268 Cattail Cir., Brea, Calif. 92621

Primary Examiner—Alan P. Douglas
Assistant Examiner—Linda Brooks
Attorney, Agent, or Firm—Price, Gess & Ubell

[**] Term: **14 Years**

[57] **CLAIM**

[21] Appl. No.: **38,944**

The ornamental design for a fireplace mantel, as shown and described.

[22] Filed: **May 17, 1995**

[52] U.S. Cl. **D23/404**

[58] Field of Search D23/344, 345, D23/350, 403, 404, 405, 406; 126/500, 505, 510; 52/36.3; D6/511, 481

DESCRIPTION

FIG. 1 is a perspective view of the fireplace mantel of the present invention;
FIG. 2 is a front plan view of the fireplace mantel assembly of FIG. 1;
FIG. 3 is a top plan view of the fireplace mantel assembly of FIG. 1;
FIG. 4 is a rear plan view of the fireplace mantel assembly of FIG. 1;
FIG. 5 is a bottom plan view of the fireplace mantel assembly of FIG. 1;
FIG. 6 is a left elevational view of the fireplace mantel assembly of FIG. 1; and,
FIG. 7 is a right elevational view of the fireplace mantel assembly of FIG. 1.

[56] **References Cited**

U.S. PATENT DOCUMENTS

- D. 1,603 6/1862 Jackson .
- D. 7,463 6/1874 Judd .
- D. 21,155 11/1891 Germain .
- D. 21,156 11/1891 Germain .
- D. 21,158 11/1891 Germain .
- D. 21,159 11/1891 Germain .
- D. 21,160 11/1891 Germain .
- D. 24,157 3/1895 Abramson .
- D. 327,735 7/1992 Smith et al. D23/404 X
- 4,254,596 3/1981 Wright et al. 126/500 X

1 Claim, 1 Drawing Sheet

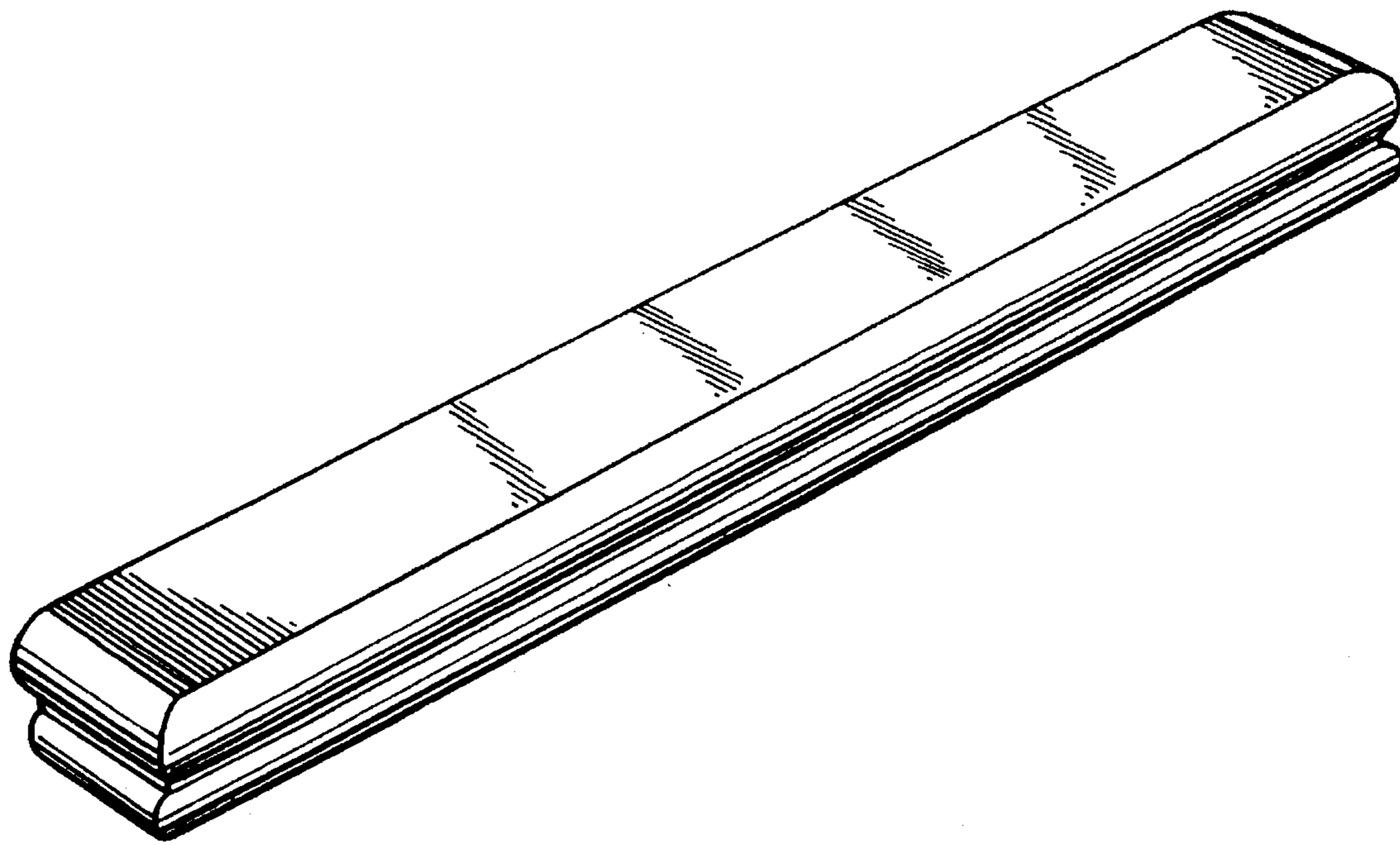


FIG. 1

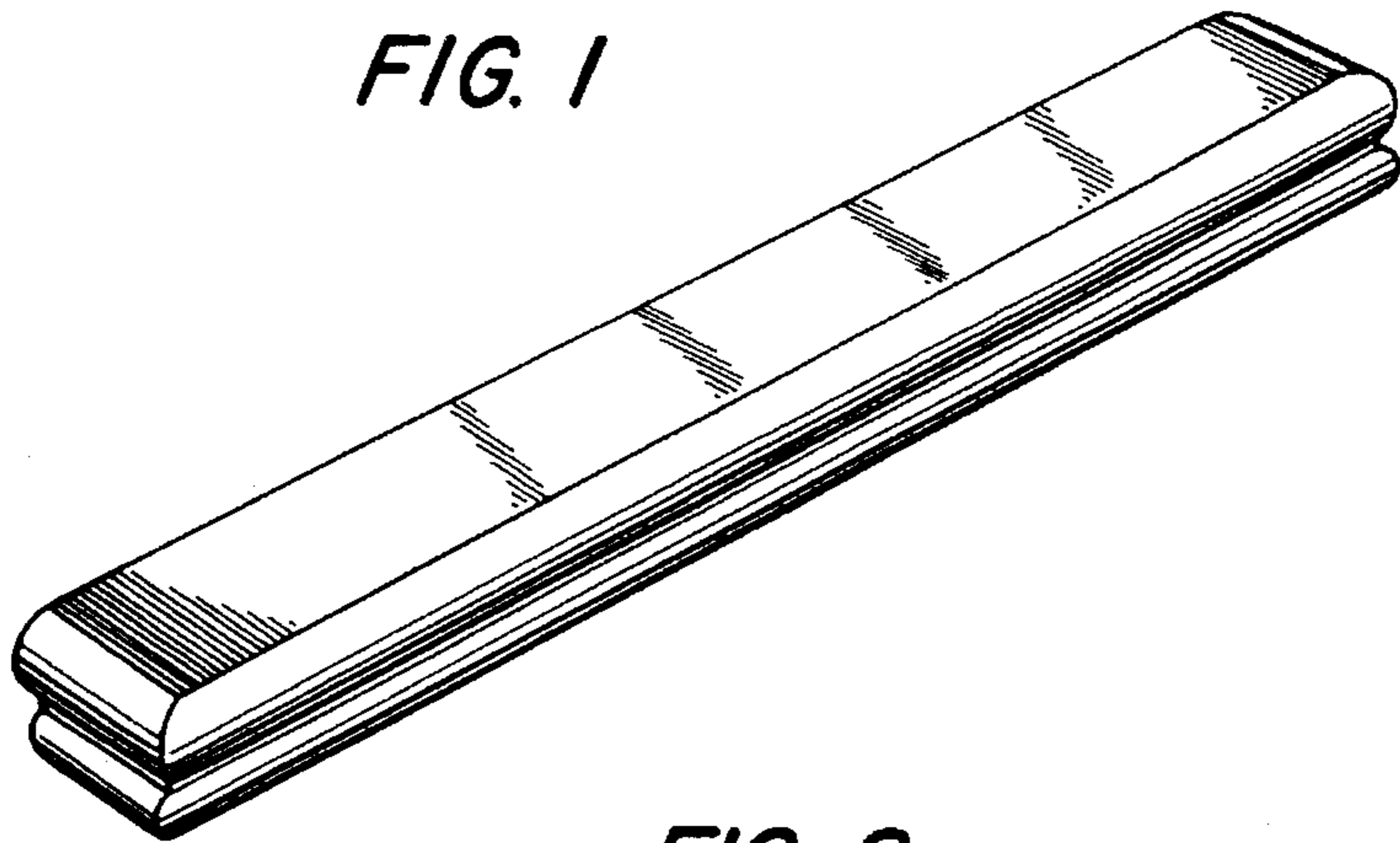


FIG. 2

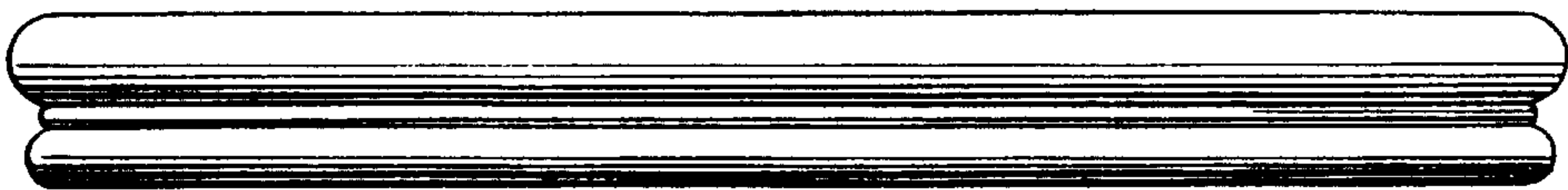


FIG. 3



FIG. 4



FIG. 5



FIG. 6

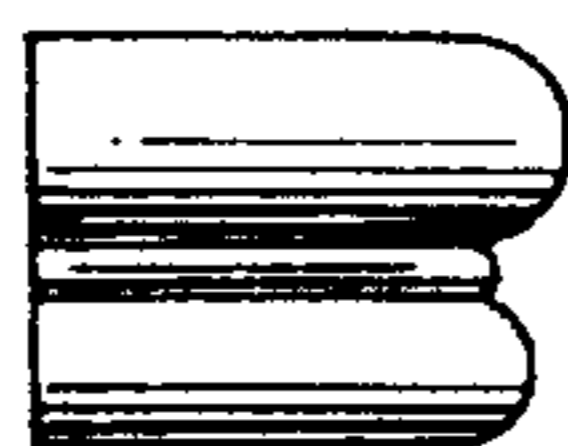


FIG. 7

