



US00D372968S

United States Patent [19] White

[11] Patent Number: **Des. 372,968**

[45] Date of Patent: ****Aug. 20, 1996**

[54] **TRAY**

[75] Inventor: **Joe White**, Calgary, Canada

[73] Assignee: **Infra-Red Sauna Systems, Ltd.**,
Calgary, Canada

[**] Term: **14 Years**

[21] Appl. No.: **31,589**

[22] Filed: **Nov. 28, 1994**

[52] U.S. Cl. **D23/386**; D7/553; D23/393

[58] Field of Search D7/538, 542, 543,
D7/544, 545, 546, 548, 549, 550, 551,
552, 553, 554, 555, 556, 557, 701, 501;
D9/432, 433; 220/578, 23.8, 914, 571;
206/561, 564, 557; 229/120.38; D6/518;
D13/184, 199; D14/251; D19/22, 23; D23/386;
D24/128

[56] **References Cited**

U.S. PATENT DOCUMENTS

D. 168,230 11/1952 Laughlin D7/546
D. 176,414 12/1955 Joseph D23/383

D. 275,500 9/1984 Tyke D6/510 X
D. 324,617 3/1992 McCauley D6/528
D. 348,390 7/1994 Vanness D9/432 X
2,415,054 1/1947 Well 229/120.38
4,126,261 11/1978 Cook 206/561 X
4,364,475 12/1982 Dielia 206/561 X
5,246,044 9/1993 Robertson et al. 220/571

OTHER PUBLICATIONS

Serving Tray, Giftwares Apr. 1958 p. 41.

Primary Examiner—M. N. Pandozzi

Attorney, Agent, or Firm—Larson and Taylor

[57] **CLAIM**

The ornamental design for a tray, as shown.

DESCRIPTION

FIG. 1 is a perspective view of the tray of my design viewed from its front, side and left end;

FIG. 2 is a top plan view of the tray of FIG. 1;

FIG. 3 is a bottom plan view of the tray of FIG. 1;

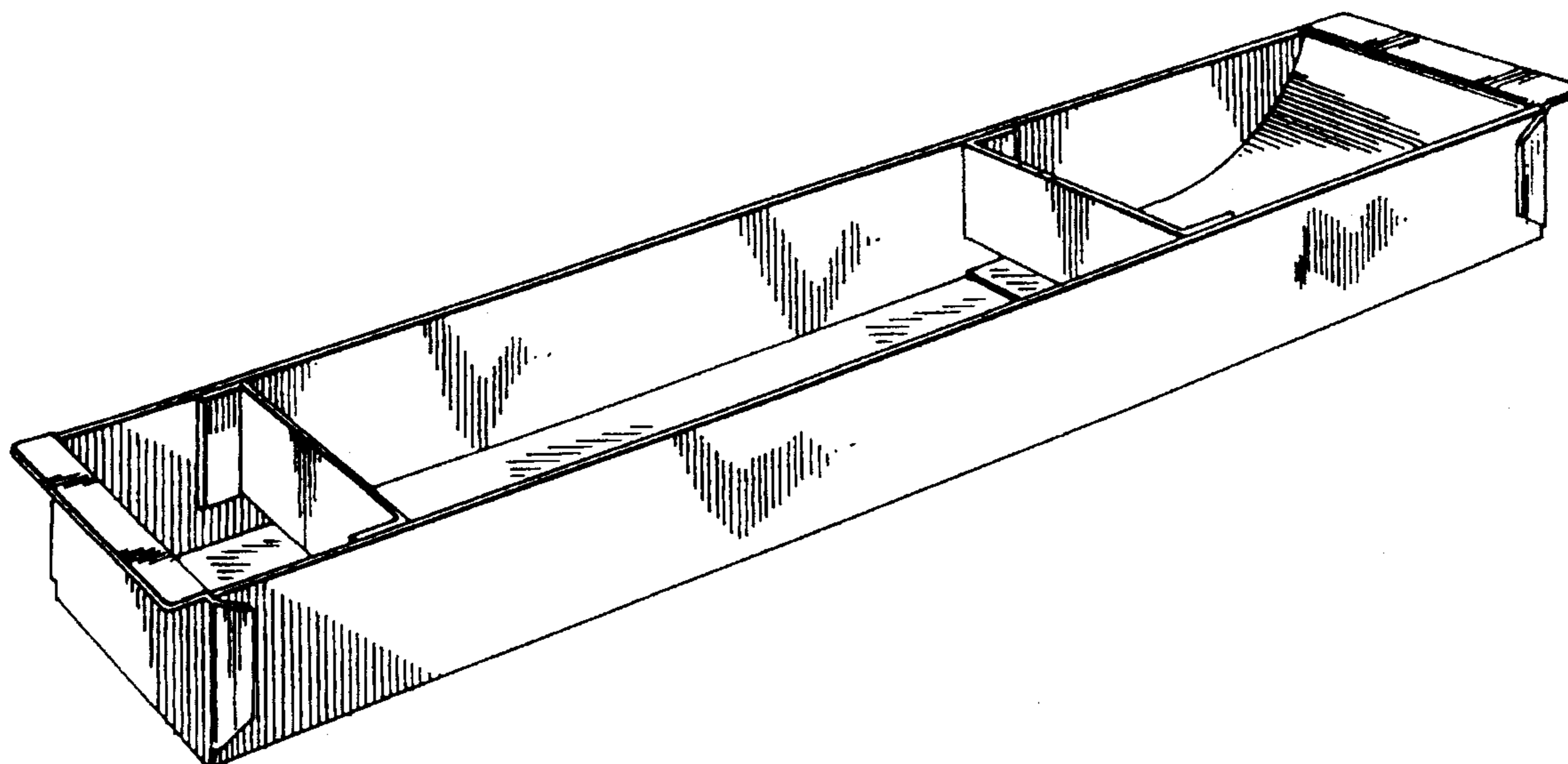
FIG. 4 is a right end elevation view of the tray of FIG. 1;

FIG. 5 is a left end elevation view of the tray of FIG. 1;

FIG. 6 is a front elevational view thereof; and,

FIG. 7 is a rear elevational view thereof.

1 Claim, 2 Drawing Sheets



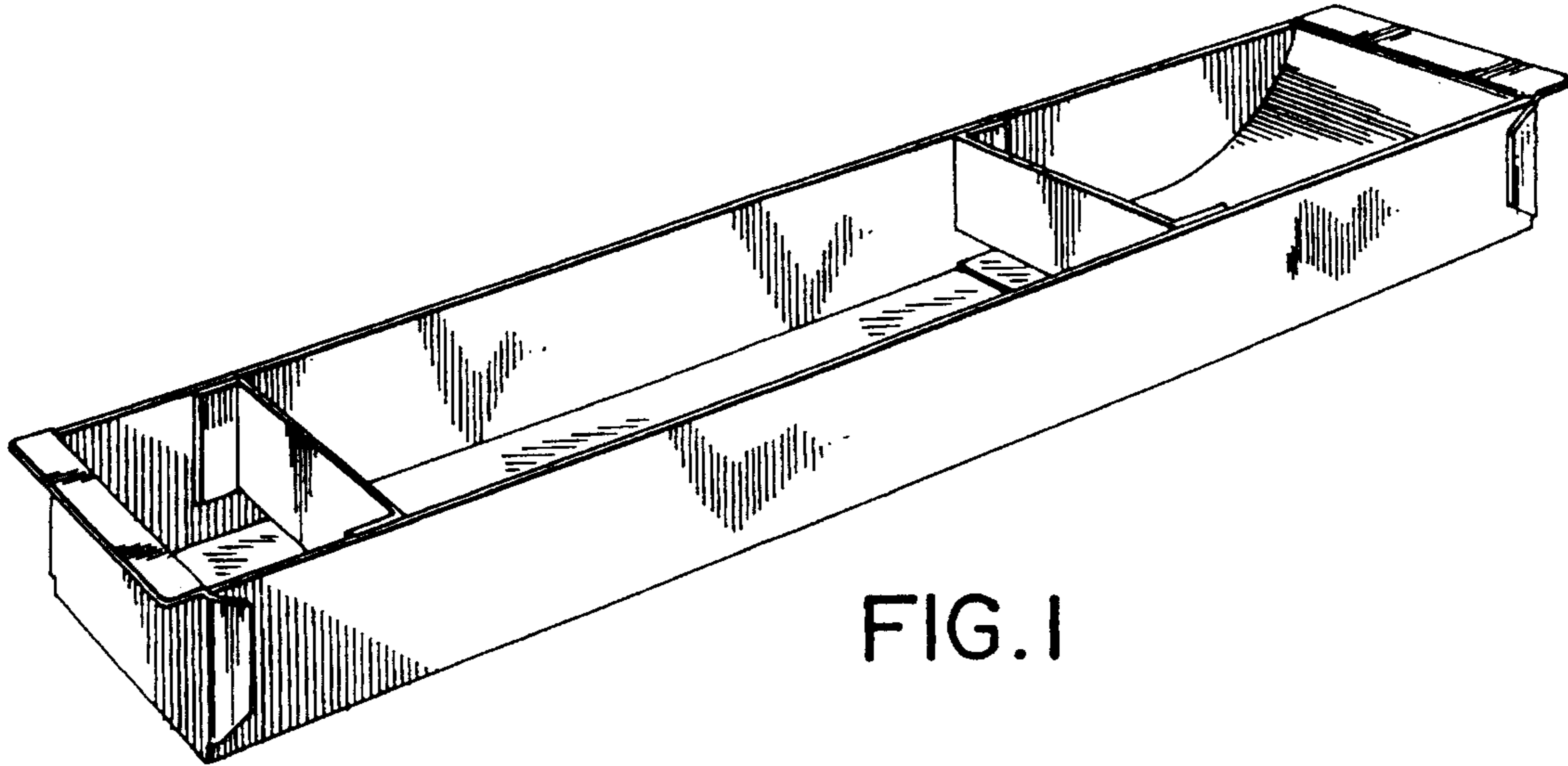


FIG. 1

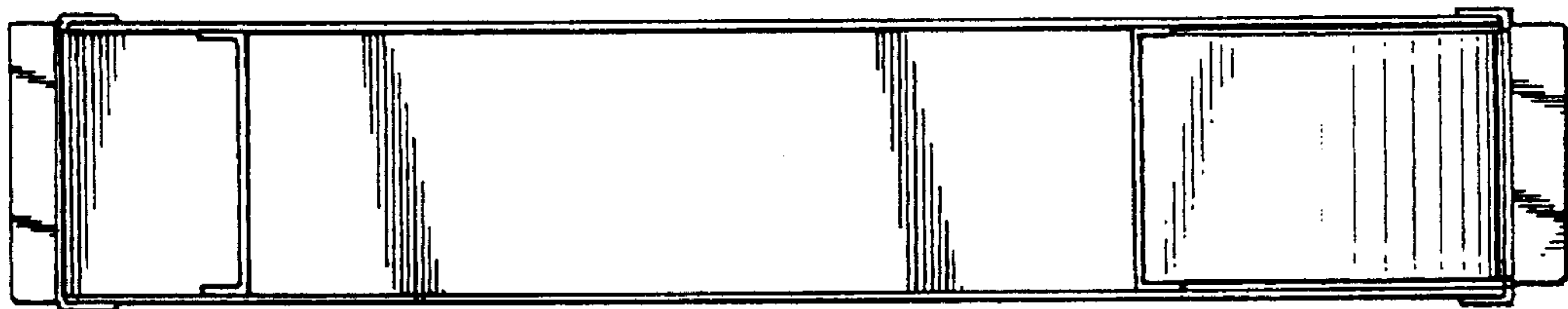


FIG. 2

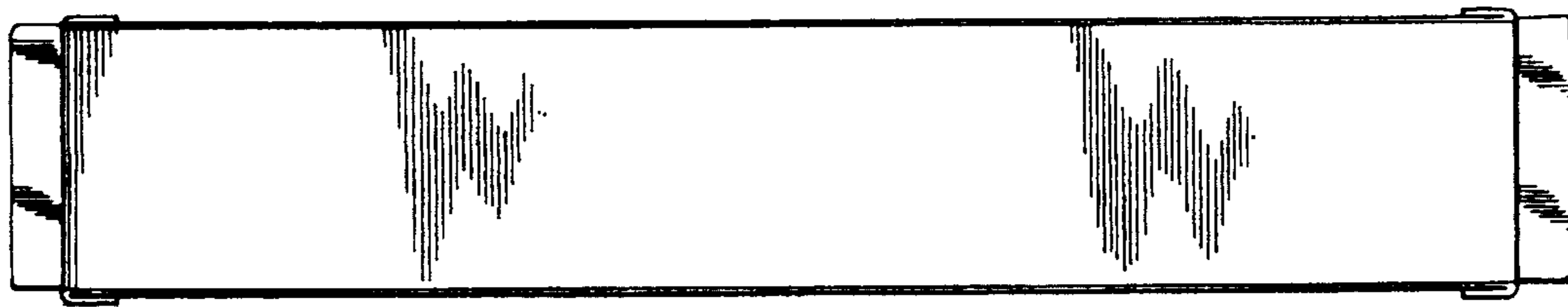


FIG. 3



FIG. 4



FIG. 5

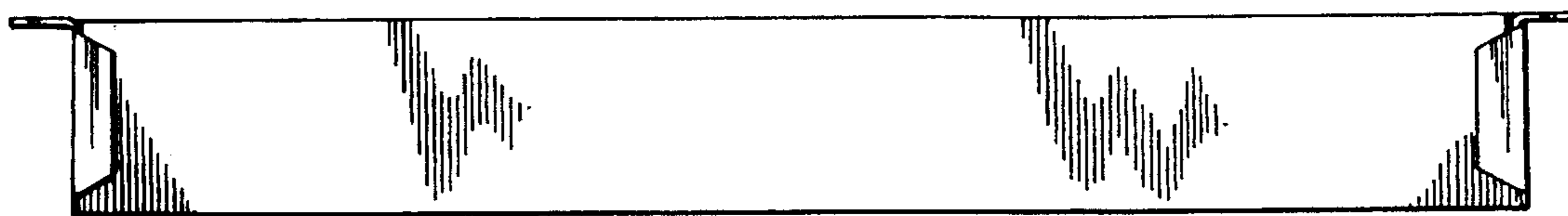


FIG. 6

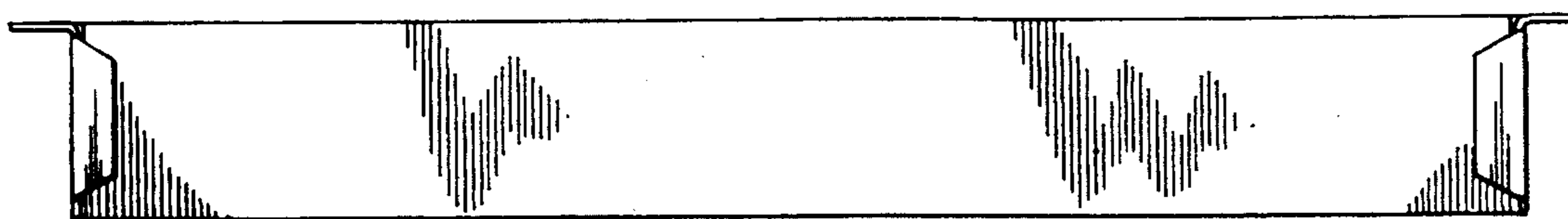


FIG. 7