



US00D372967S

United States Patent [19]
Mitchell

[11] **Patent Number: Des. 372,967**

[45] **Date of Patent: **Aug. 20, 1996**

[54] **COMBINED CEILING FAN AND STAND THEREFOR**

5,273,402 12/1993 Maury 416/246

[76] Inventor: **William D. Mitchell**, 230 Oak Crest Dr., Sharpsburg, Ga. 30277

Primary Examiner—Lisa P. Lichtenstein
Attorney, Agent, or Firm—James A. Hudak

[**] Term: **14 Years**

[57] **CLAIM**

[21] Appl. No.: **39,084**

The ornamental design for a combined ceiling fan and stand therefor, as shown and described.

[22] Filed: **May 19, 1995**

DESCRIPTION

[52] U.S. Cl. **D23/377; D23/379; D23/385**

FIG. 1 is a front, top and side perspective view of combined ceiling fan and stand therefor showing my new design; FIG. 2 is a front elevational view thereof; FIG. 3 is a rear elevational view thereof; FIG. 4 is a side elevational view thereof, the side opposite being a mirror image of the side shown in FIG. 4; FIG. 5 is a top plan view thereof; and, FIG. 6 is a bottom plan view thereof.

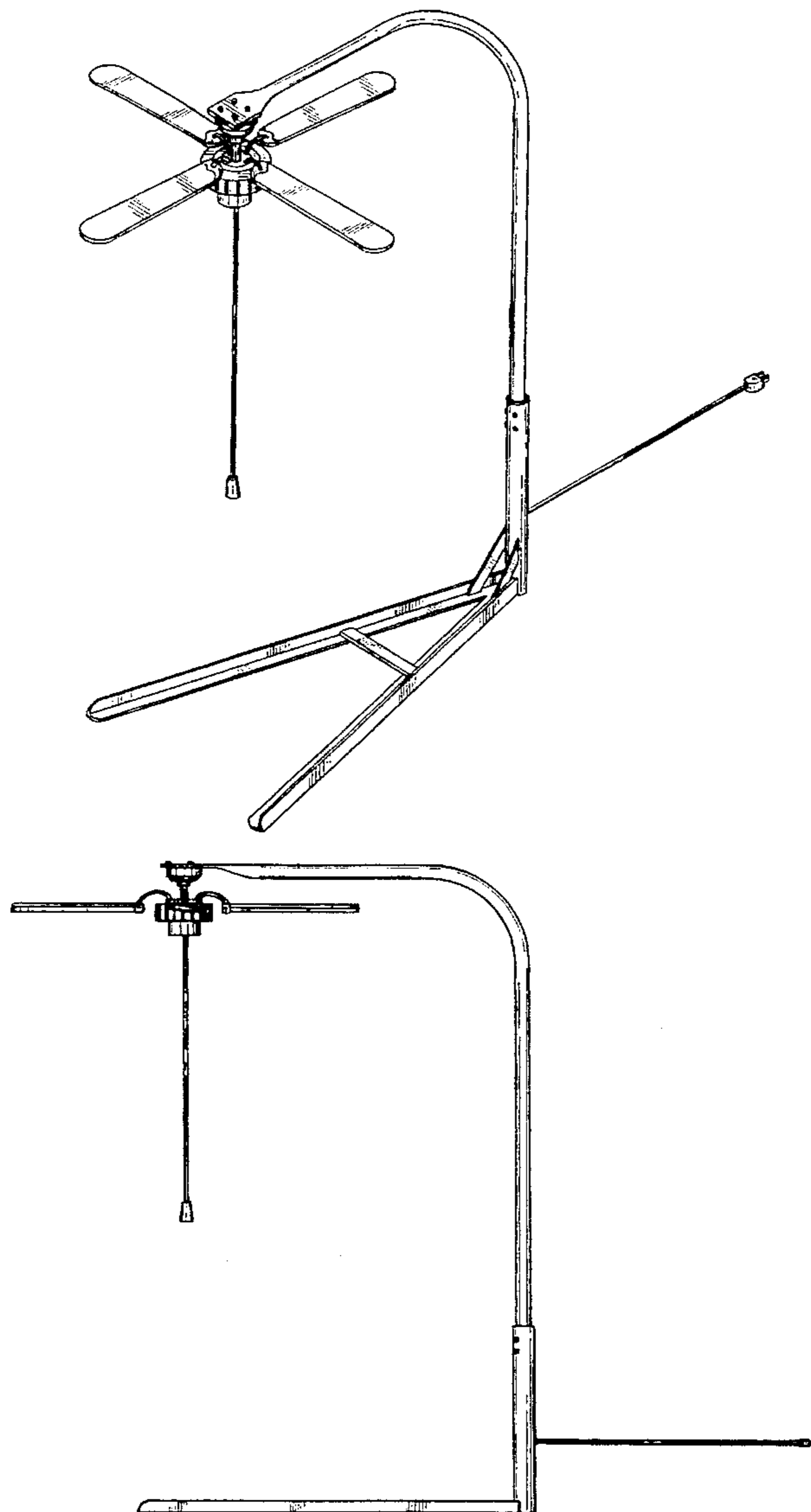
[58] **Field of Search** D23/377, 379, D23/385, 411, 413; D6/462, 457, 347, 403-405; 416/5, 244 R, 246 R; 248/125.1, 125.8

[56] **References Cited**

U.S. PATENT DOCUMENTS

D. 297,973	10/1988	Everett, Jr.	D23/377
4,729,725	3/1988	Markwardt	417/423 R
5,114,016	5/1992	Todd	211/26

1 Claim, 4 Drawing Sheets



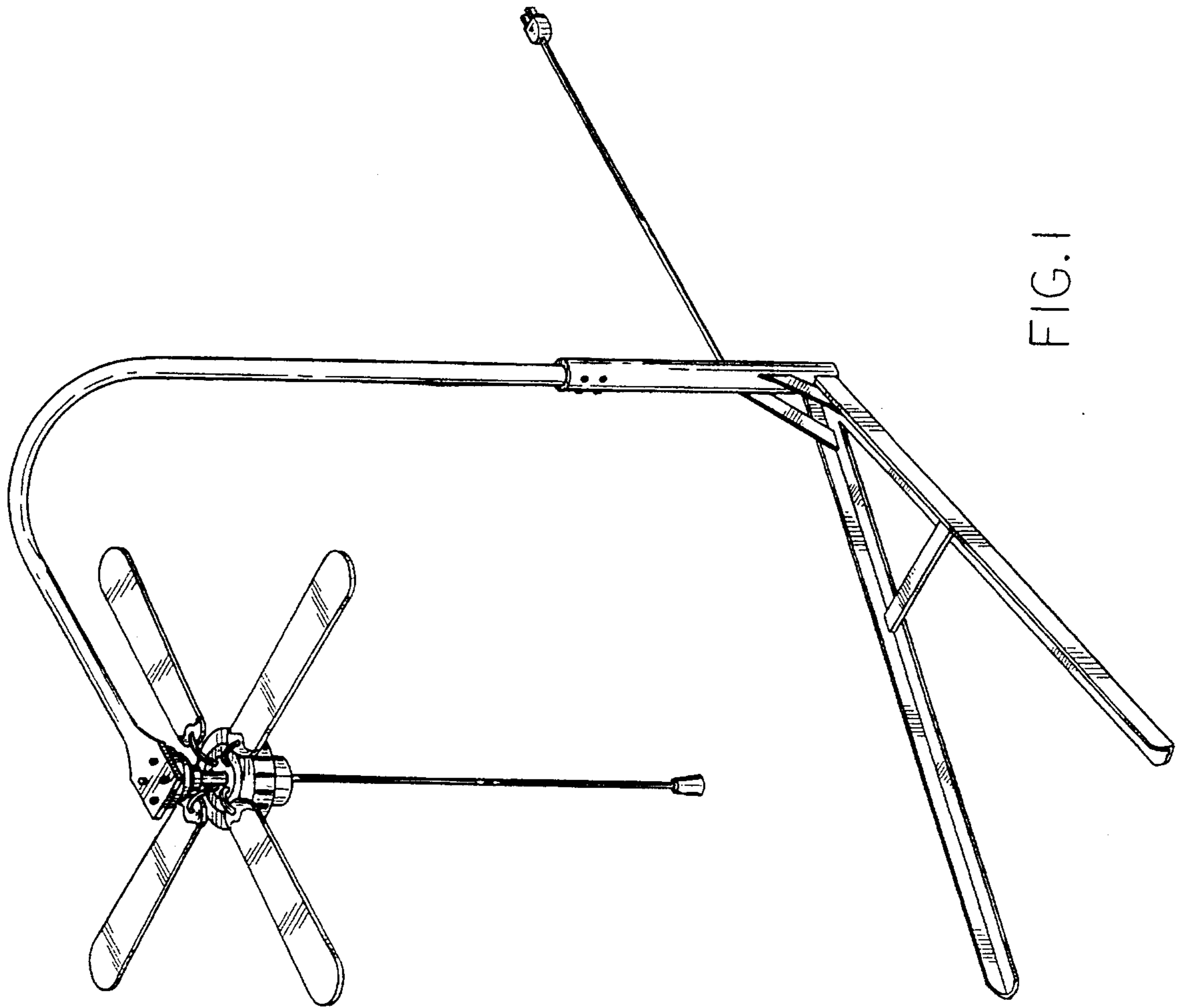


FIG. 1

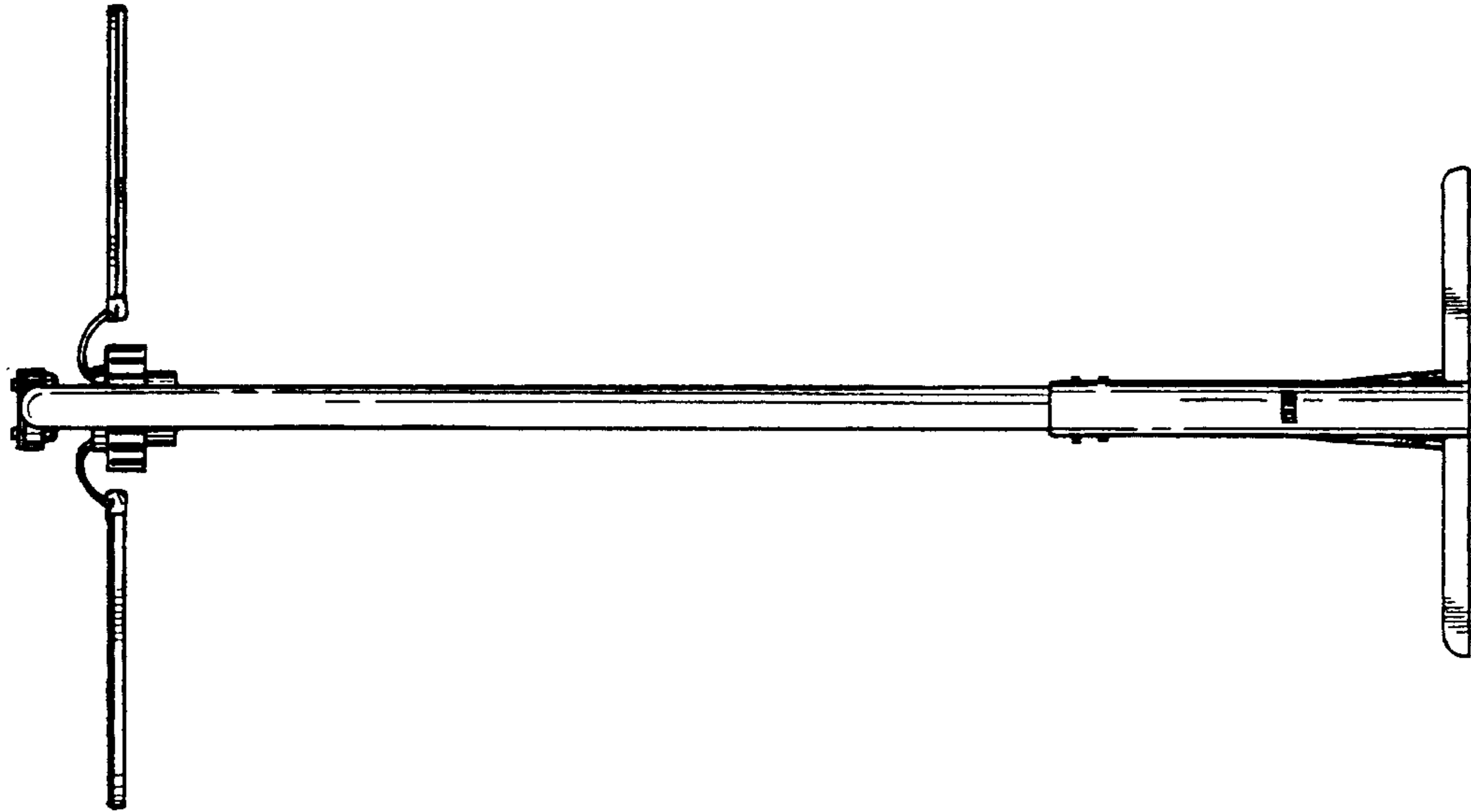


FIG. 3

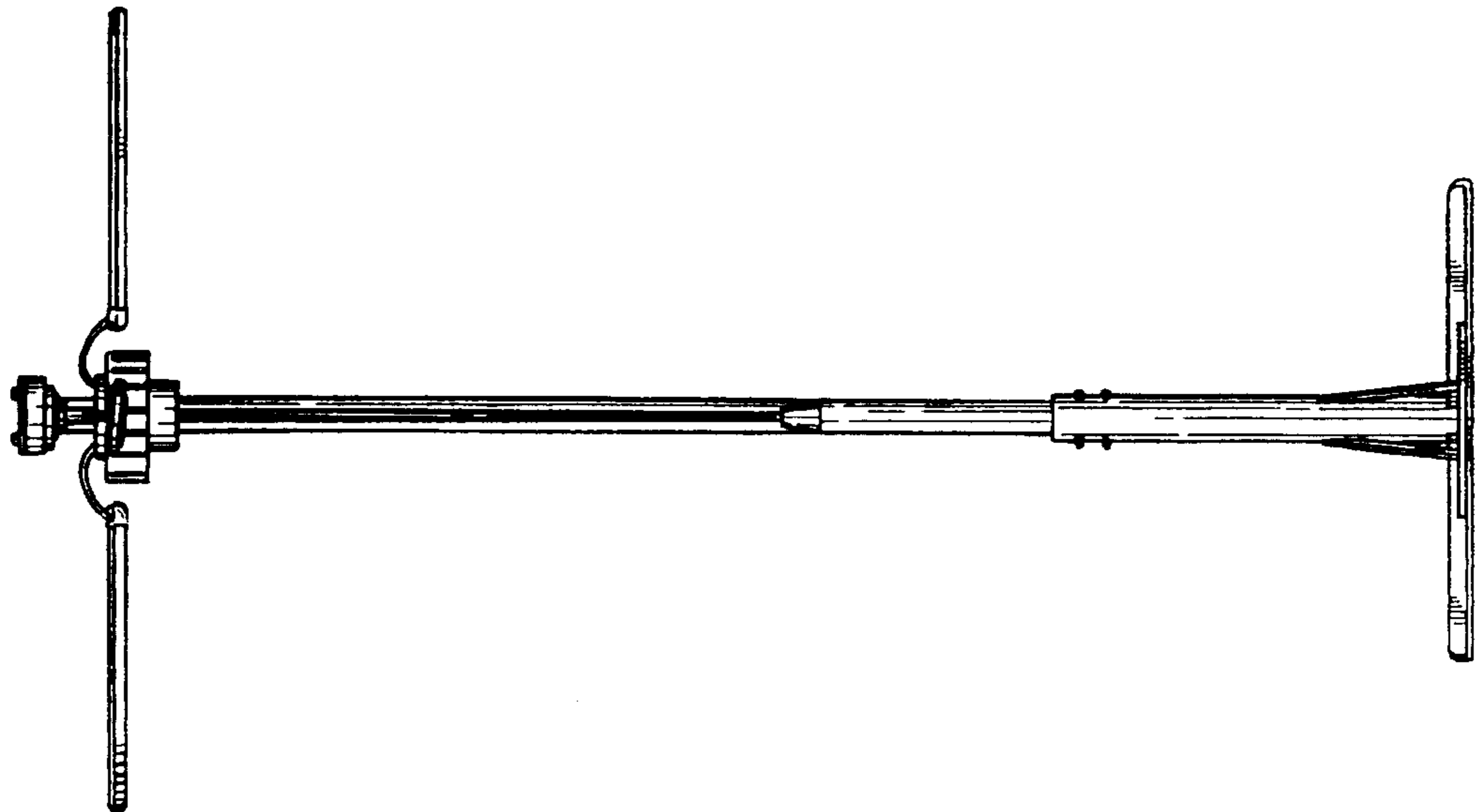


FIG. 2

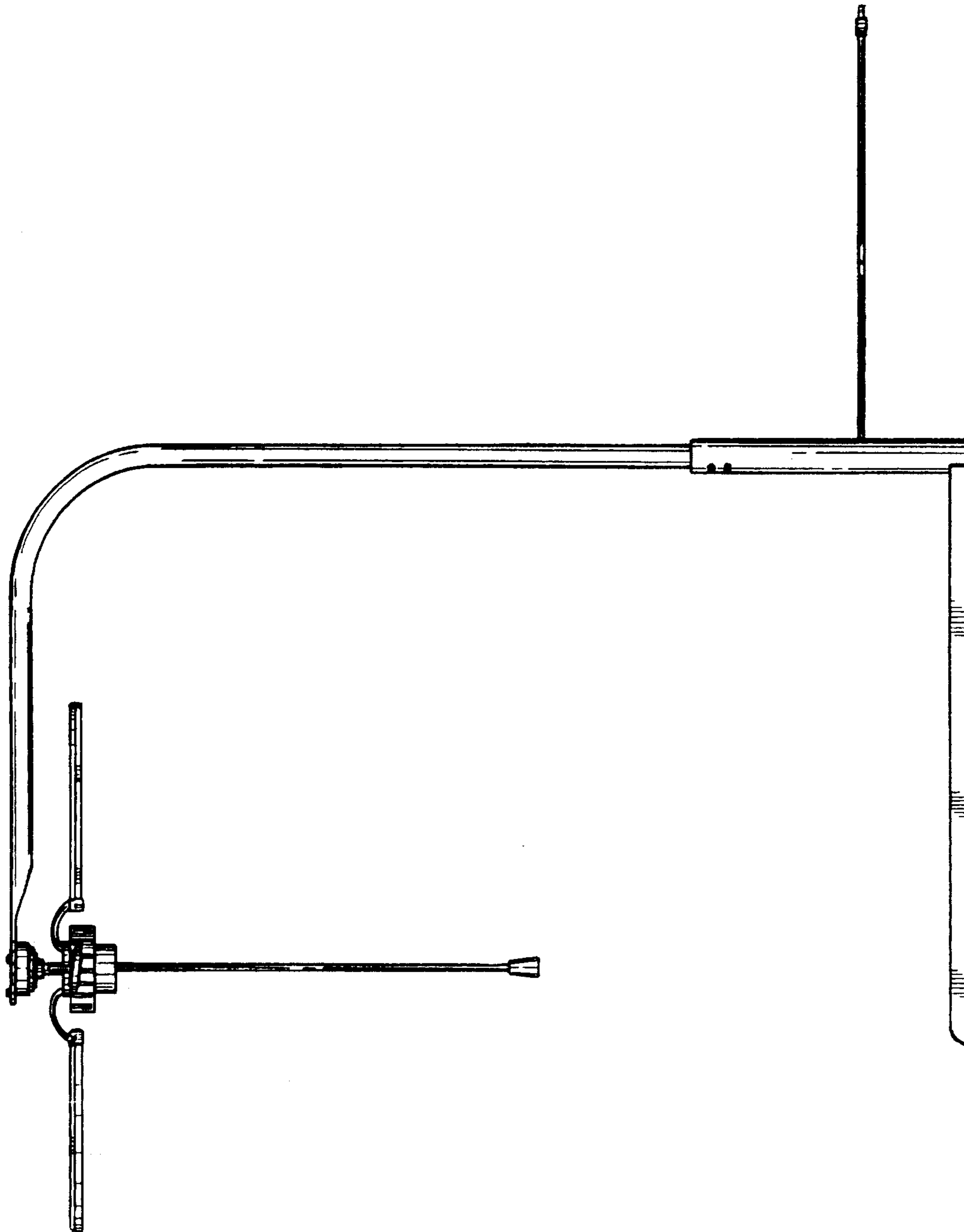


FIG. 4

FIG. 6

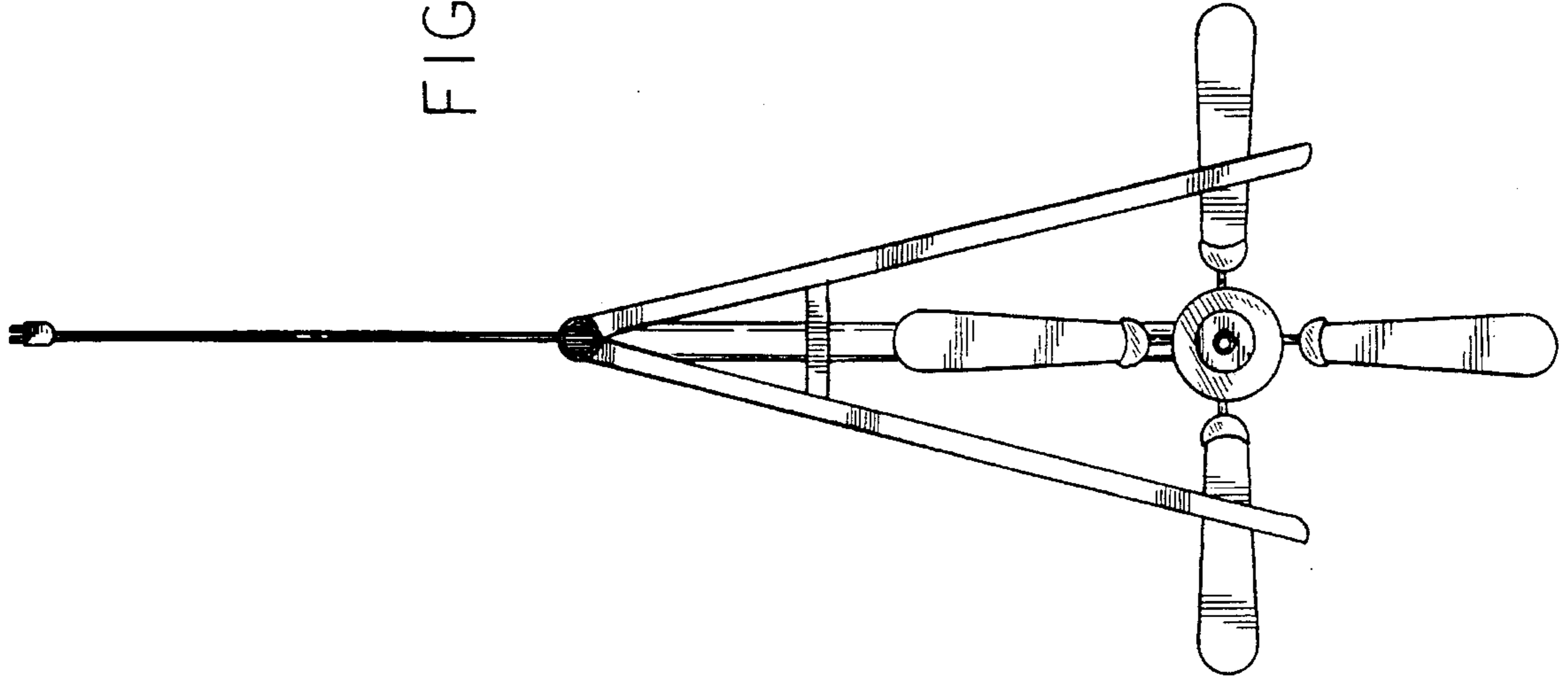


FIG. 5

